



US00D797557S

(12) **United States Design Patent** (10) **Patent No.:** **US D797,557 S**
Ziccardi (45) **Date of Patent:** **** Sep. 19, 2017**

(54) **ERGONOMIC BOTTLE CAP**
(71) Applicant: **Andrew J Ziccardi**, Barrington, IL (US)
(72) Inventor: **Andrew J Ziccardi**, Barrington, IL (US)
(**) Term: **15 Years**
(21) Appl. No.: **29/548,375**
(22) Filed: **Dec. 14, 2015**
(51) **LOC (10) Cl.** **09-07**
(52) **U.S. Cl.**
USPC **D9/453; D9/443**
(58) **Field of Classification Search**
USPC D3/318; D7/396.2, 398; D9/434, 435, D9/436, 438, 440, 443, 444, 445, 447, D9/449, 452, 453, 454, 499
CPC B65D 41/34; B65D 41/3438; B65D 41/0471; B65D 47/122
See application file for complete search history.

D558,306 S 12/2007 McCluskey et al.
7,621,411 B2 11/2009 Doherty et al.
D632,958 S * 2/2011 Fuchs D9/453
D640,552 S 6/2011 Eiteljorg et al.
D661,984 S * 6/2012 Jackel D9/449
D688,128 S * 8/2013 Krause B65D 41/0414
D9/453
8,668,098 B2 3/2014 Wand
D705,059 S * 5/2014 Hutchison D9/447
D706,135 S * 6/2014 Hutchison D9/447
D708,946 S * 7/2014 Hutchison D9/447
D714,144 S * 9/2014 Vogel D9/443
D762,115 S * 7/2016 Corvaglia D9/443
2016/0332783 A1 * 11/2016 Kim B65D 53/02

* cited by examiner

Primary Examiner — Robert M Spear
Assistant Examiner — Darcey E Heflin
(74) *Attorney, Agent, or Firm* — Applied Patent Services

(57) **CLAIM**

I claim the ornamental design for an ergonomic bottle cap, as shown and described.

DESCRIPTION

FIG. 1 is a top plan view of an ergonomic bottle cap showing a first embodiment of my new design;
FIG. 2 is a top perspective view of the ergonomic bottle cap as shown in FIG. 1;
FIG. 3 is a front elevation view of the ergonomic bottle cap as shown in FIG. 1, the rear elevation view being a mirror image thereof; and,
FIG. 5 is a left-side elevation view of the ergonomic bottle cap as shown in FIG. 1, the right-side elevation view being a mirror image thereof.

1 Claim, 2 Drawing Sheets

(56) **References Cited**
U.S. PATENT DOCUMENTS
D113,332 S * 2/1939 Piluso D9/453
D351,793 S 10/1994 Stoller
D358,769 S * 5/1995 Luch D9/438
D359,685 S * 6/1995 Luch D9/438
D389,062 S * 1/1998 Ekkert D9/453
D398,851 S * 9/1998 Gaiser D9/447
5,941,404 A 8/1999 Charrette
6,253,942 B1 7/2001 Elias
D481,314 S * 10/2003 Noonan D9/438
6,811,047 B1 11/2004 Hicks et al.
D513,585 S * 1/2006 Biesecker D9/449

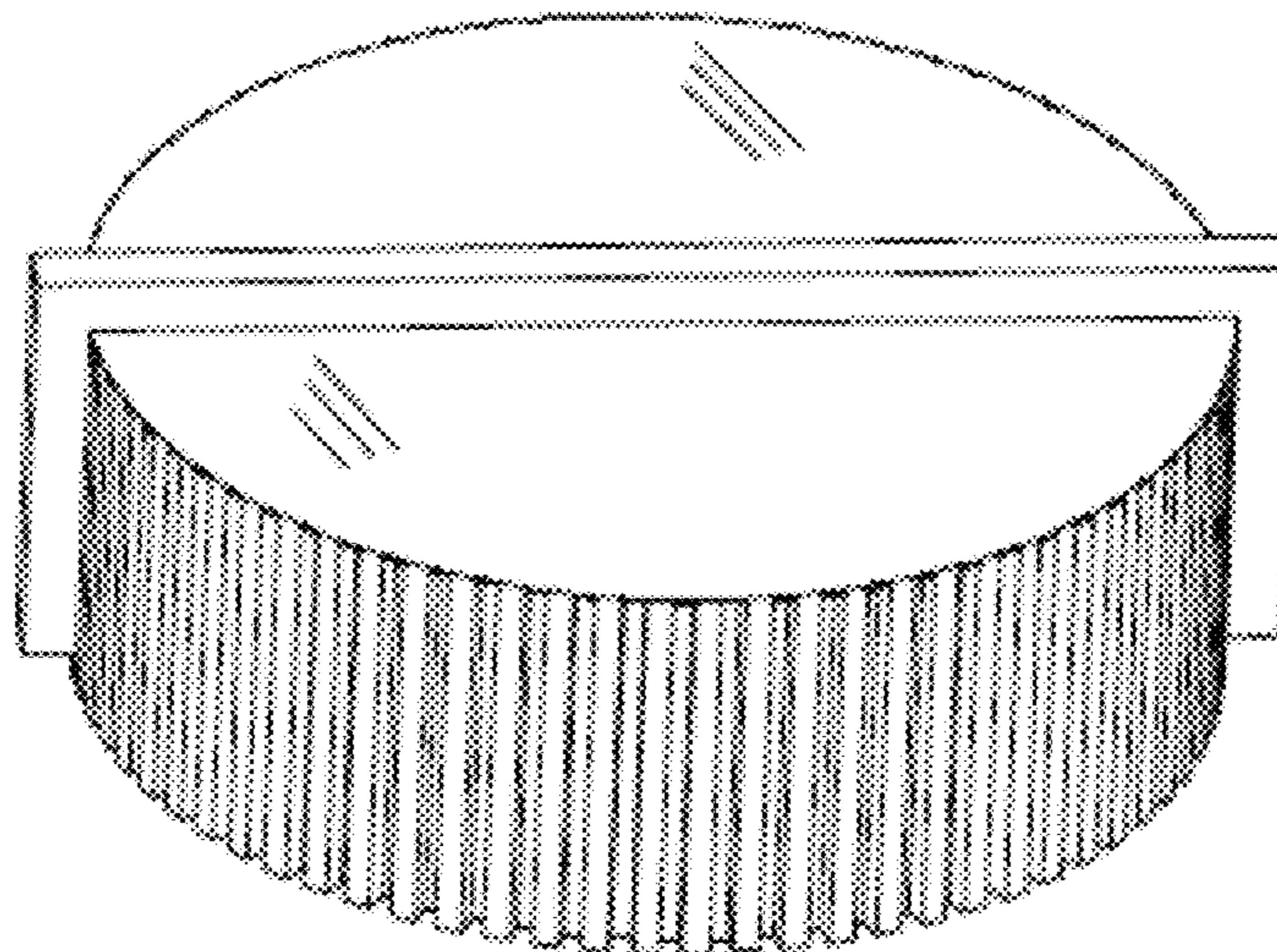


FIG. 1

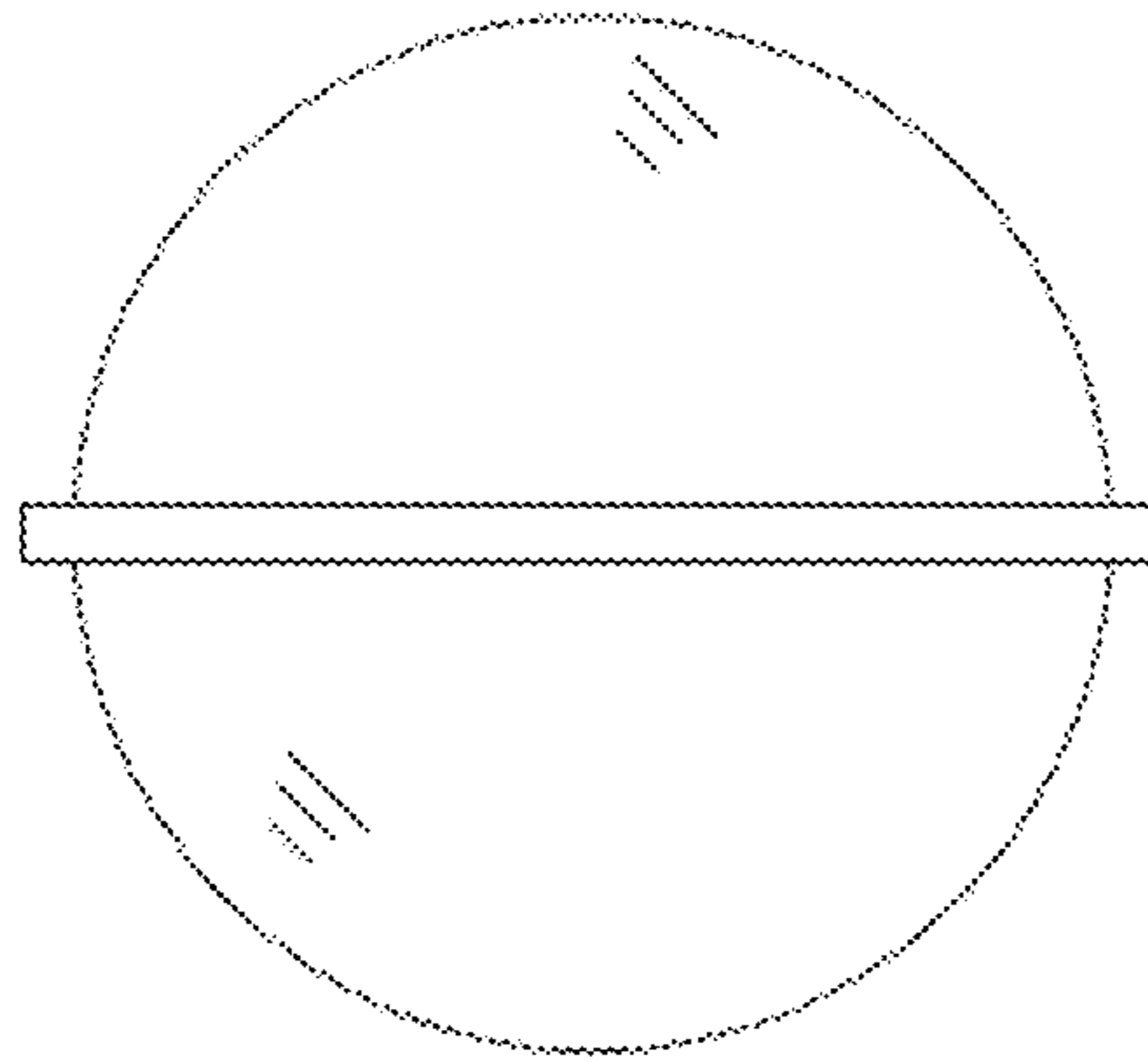


FIG. 2

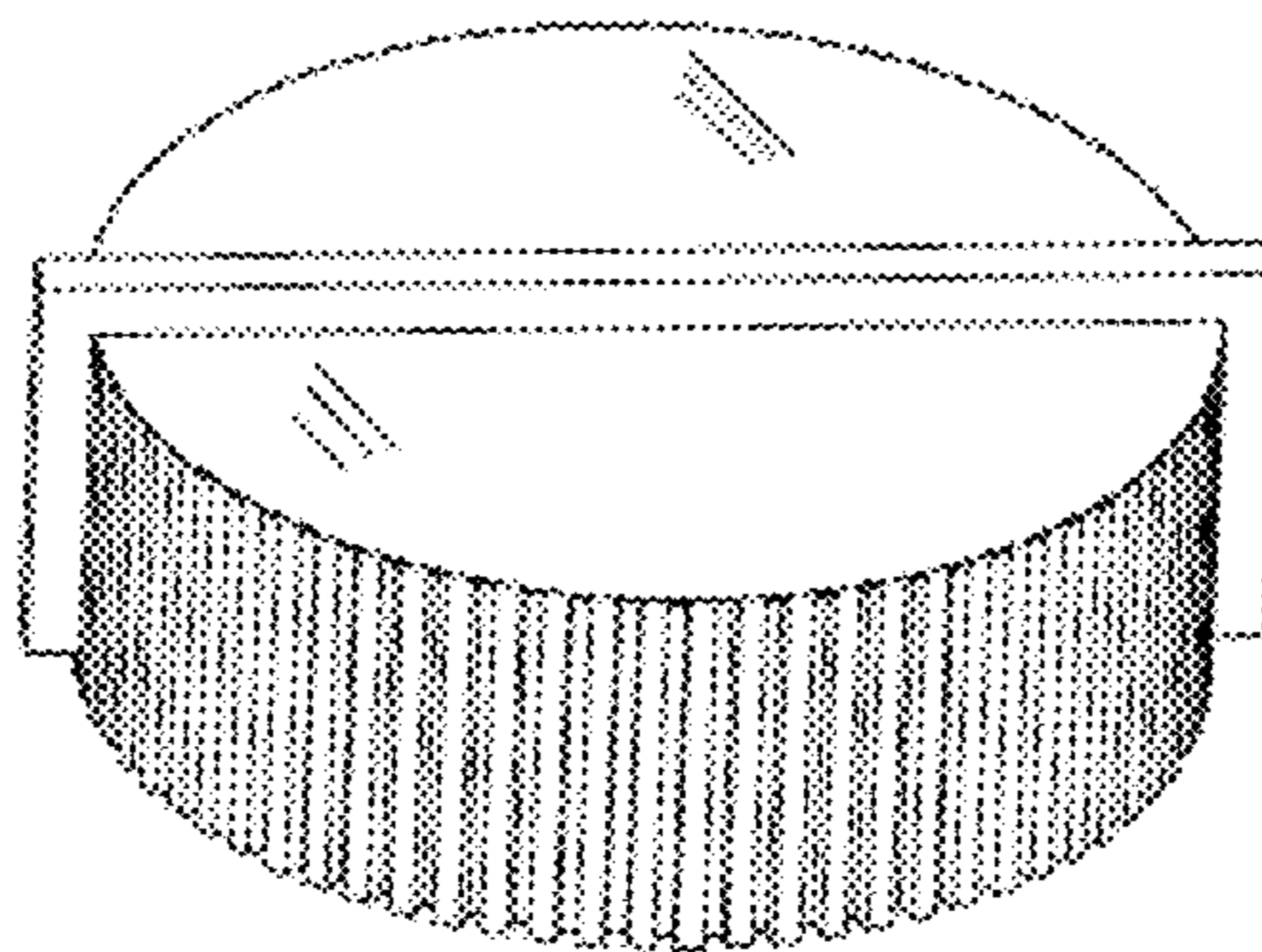
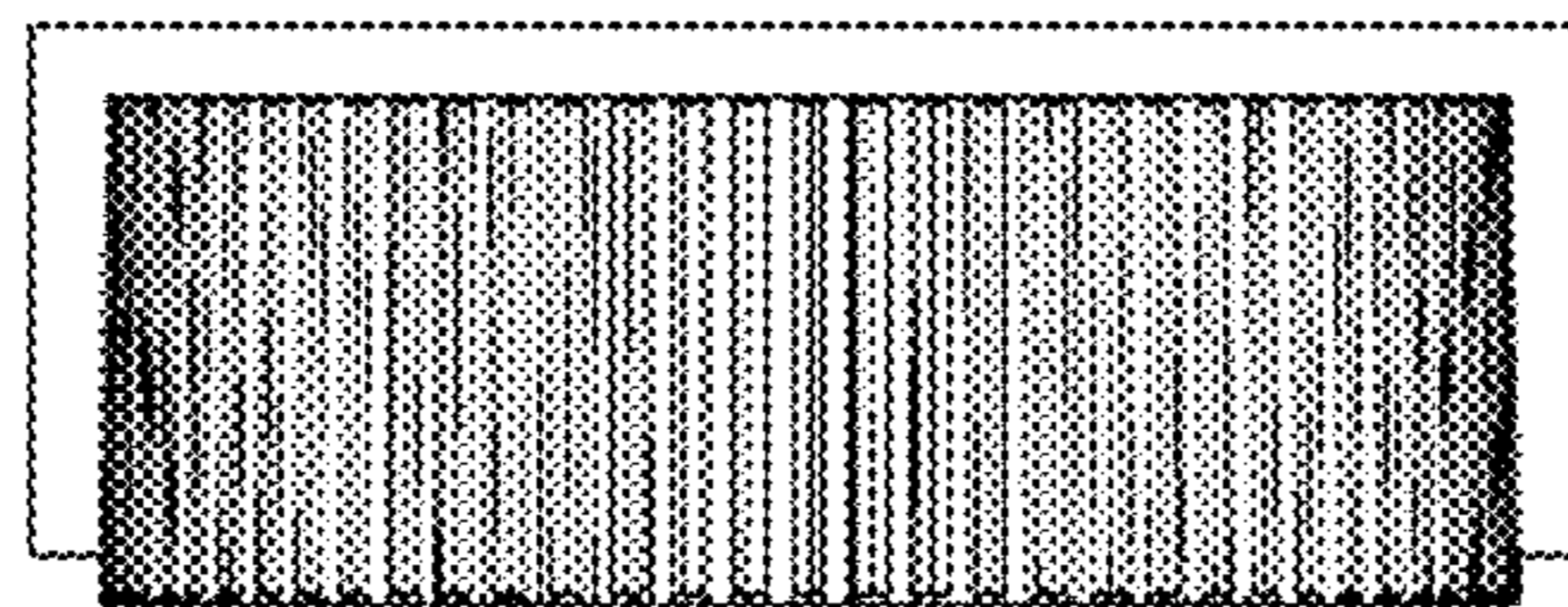


FIG. 3



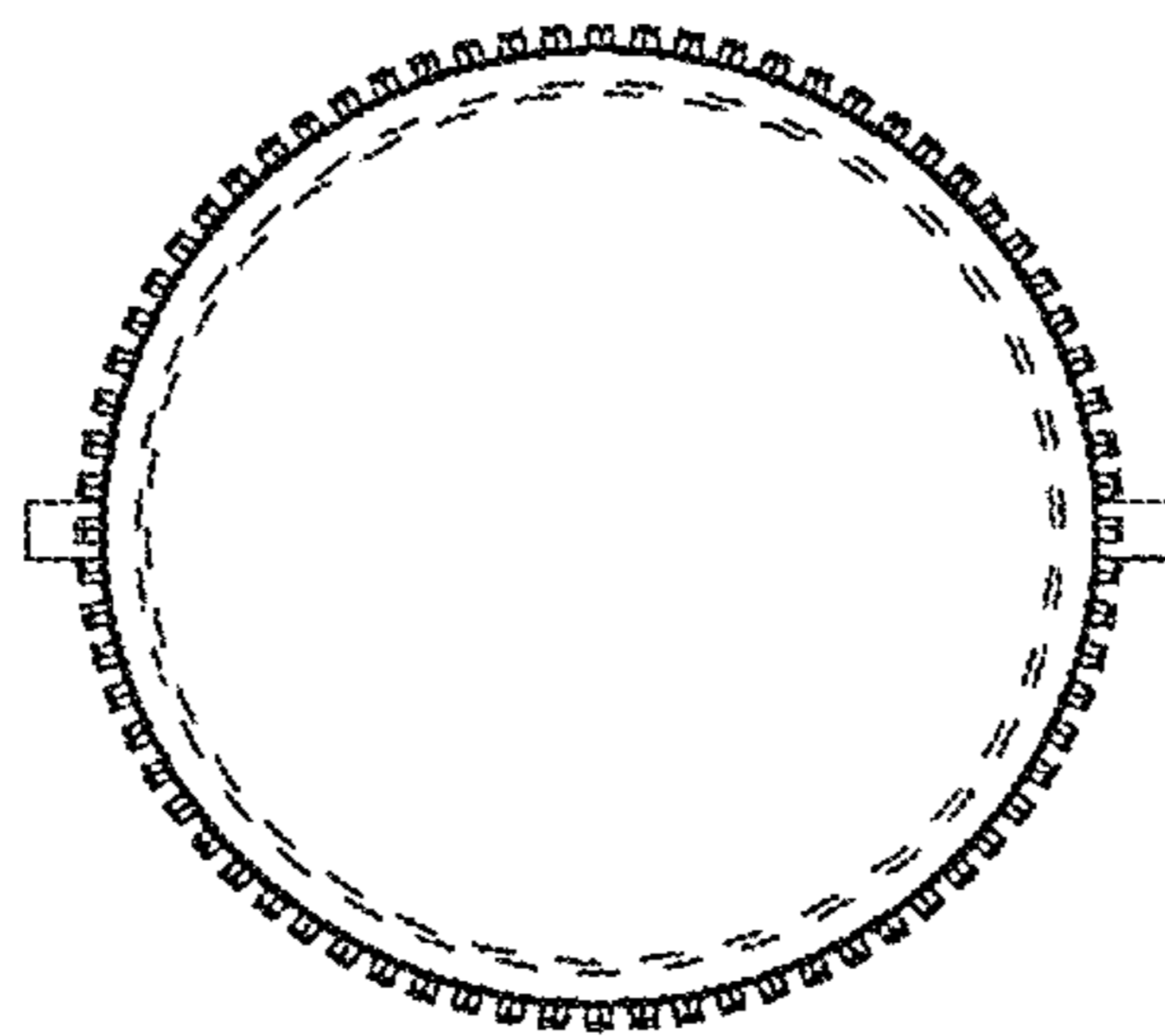


FIG. 4

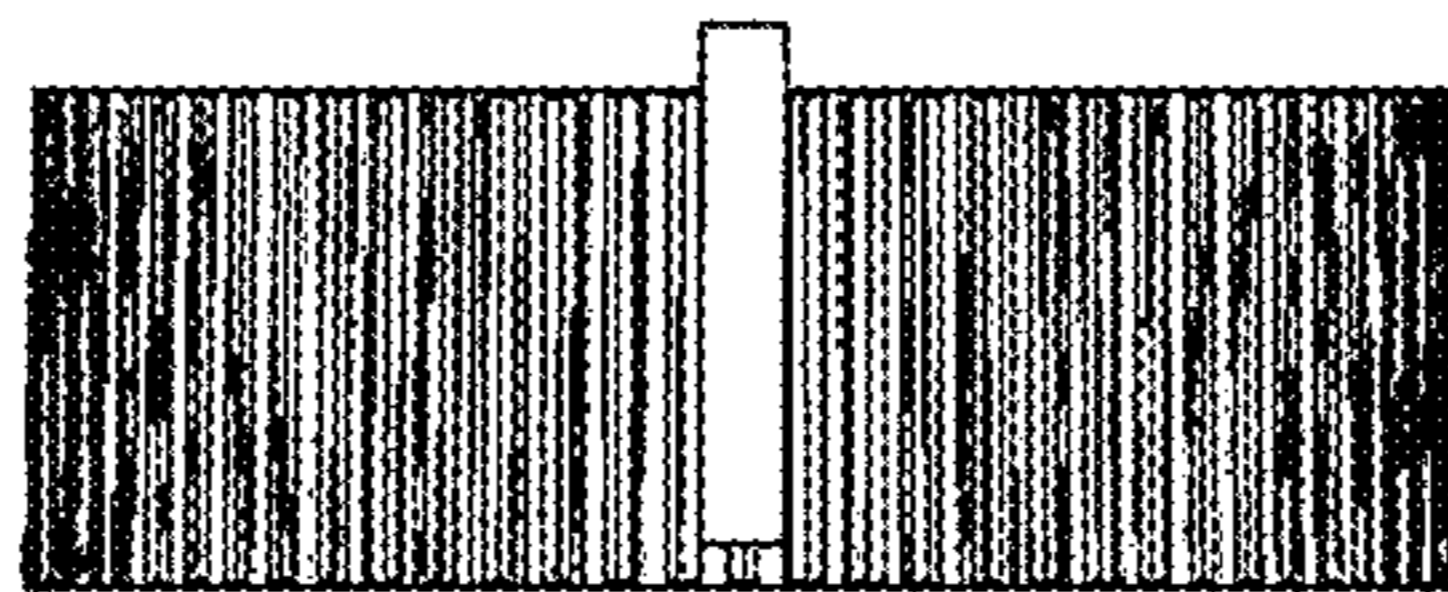


FIG. 5