



US00D797556S

(12) **United States Design Patent** (10) **Patent No.:** **US D797,556 S**
Brown et al. (45) **Date of Patent:** **** *Sep. 19, 2017**

(54) **LID FOR A DISPOSABLE CUP**

51/145; B65D 51/18; B65D 51/28; B65D 51/2807; B65D 53/02

See application file for complete search history.

(71) Applicant: **SOLO CUP EUROPE LIMITED**,
Huntingdon, Cambridgeshire (GB)

(56) **References Cited**

(72) Inventors: **Alexander Brown**, Manningtree (GB);
Claudio Scippo, Bedford (GB)

U.S. PATENT DOCUMENTS

(73) Assignee: **Dart Products Europe LTD.**,
Huntingdon (GB)

D287,919 S	1/1987	Clements	
D417,845 S	12/1999	Sadlier et al.	
D476,891 S *	7/2003	Clarke	D9/447
D537,717 S	3/2007	Notarianni	
D582,274 S	12/2008	Vogel	
D591,595 S	5/2009	Tedford, Jr.	

(Continued)

(*) Notice: This patent is subject to a terminal disclaimer.

Primary Examiner — Robin V Webster
Assistant Examiner — Rachel Voorhies

(**) Term: **15 Years**

(74) *Attorney, Agent, or Firm* — McGarry Bair PC

(21) Appl. No.: **29/531,667**

(57) **CLAIM**

(22) Filed: **Jun. 29, 2015**

The ornamental design for a lid for a disposable cup, as shown and described.

Related U.S. Application Data

DESCRIPTION

(63) Continuation of application No. 29/423,250, filed on May 30, 2012, now Pat. No. Des. 732,956.

FIG. 1 is an elevation view of the right side of a lid for a disposable cup that has the design.

(30) **Foreign Application Priority Data**

Dec. 2, 2011 (EM) 001957291

FIG. 2 is an elevation view of the front of the lid for a disposable cup.

(51) **LOC (10) Cl.** **09-07**

FIG. 3 is an elevation view of the back.

(52) **U.S. Cl.**
USPC **D9/447**

FIG. 4 is a top plan view.

(58) **Field of Classification Search**
USPC D9/435-436, 447, 452, 485-486, 439, D9/443

FIG. 5 is a bottom plan view.

CPC B65D 39/00; B65D 39/16; B65D 42/00; B65D 42/02; B65D 43/32; B65D 45/04; B65D 50/00; B65D 50/02; B65D 51/005; B65D 51/007; B65D 51/14; B65D

FIG. 6 is an elevation view of the left side.

FIG. 7 is a back, top, and left side perspective view of the lid for a disposable cup.

FIG. 8 is an elevation view of the front of another lid for a disposable cup that has the design.

FIG. 9 is an elevation view of the back of the lid for a disposable cup.

FIG. 10 is an elevation view of the right side.

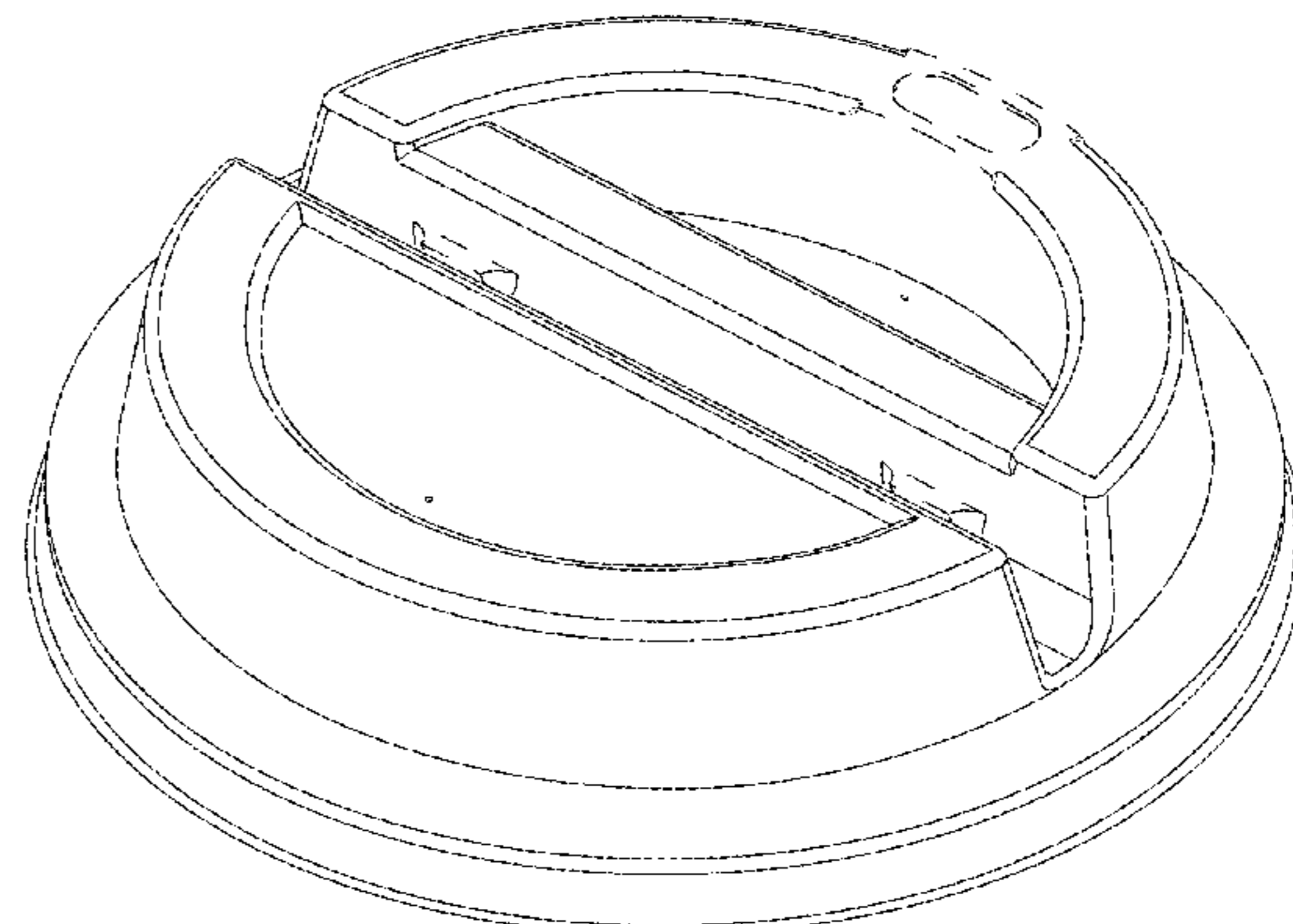
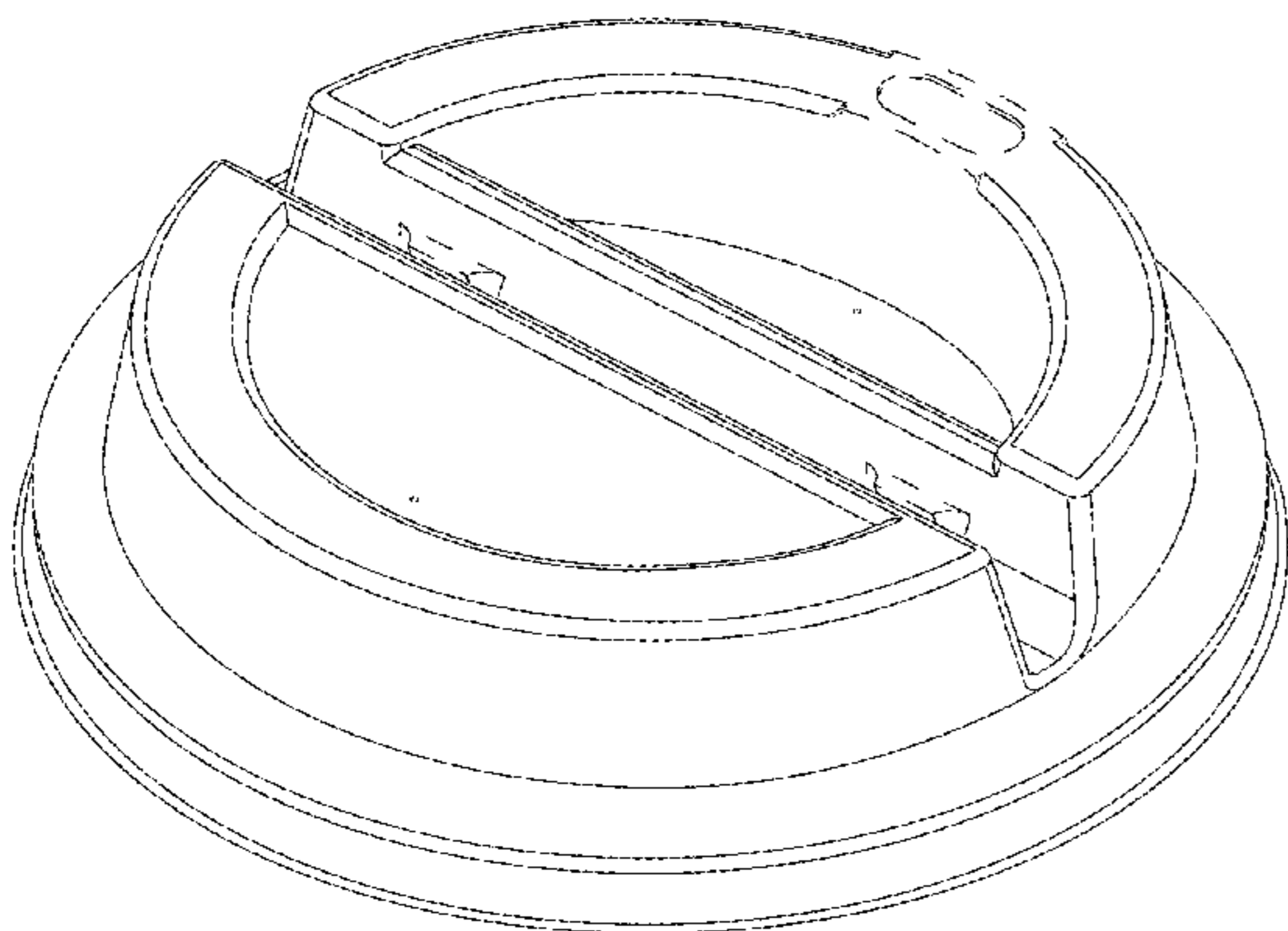
FIG. 11 is an elevation view of the left side.

FIG. 12 is a bottom plan view.

FIG. 13 is a top plan view; and,

FIG. 14 is a back, top, and left side perspective view.

(Continued)



The structures depicted by means of broken lines in the figures have been shown for illustrative purposes only and form no part of the claimed design.

1 Claim, 9 Drawing Sheets

(56)

References Cited

U.S. PATENT DOCUMENTS

D603,703 S	11/2009	Daggett	
D614,028 S	4/2010	Daniel et al.	
D629,298 S	12/2010	Wong	
D634,192 S *	3/2011	Mueller	D9/436
D635,855 S	4/2011	Smith et al.	
D658,057 S	4/2012	Donat	
D675,524 S	2/2013	Bickert et al.	
D708,515 S *	7/2014	Fleming	D9/435

D709,366 S *	7/2014	Fleming	D9/435
D711,226 S *	8/2014	Fleming	D9/435
D722,498 S *	2/2015	Fleming	D9/447
D732,956 S *	6/2015	Brown	D9/447
D735,577 S *	8/2015	Lee	D9/436
D737,139 S *	8/2015	Sokoly	D9/435
9,114,920 B1 *	8/2015	Edelman	B65D 51/2835
D739,238 S *	9/2015	Kim	D9/447
D752,436 S *	3/2016	Crudgington	D9/434
D754,535 S *	4/2016	Kim	D9/435
D761,104 S *	7/2016	Buck	D9/447
D761,649 S *	7/2016	Buck	D9/447
D763,620 S *	8/2016	Szymanski	D7/392.1
D763,621 S *	8/2016	Szymanski	D7/392.1
2005/0173434 A1	8/2005	O'Neal	
2006/0071008 A1	4/2006	Sadlier	
2009/0272742 A1 *	11/2009	Dybala	B65D 47/2006 220/212
2016/0065705 A1 *	3/2016	Nam	B65D 43/0208 455/575.8

* cited by examiner

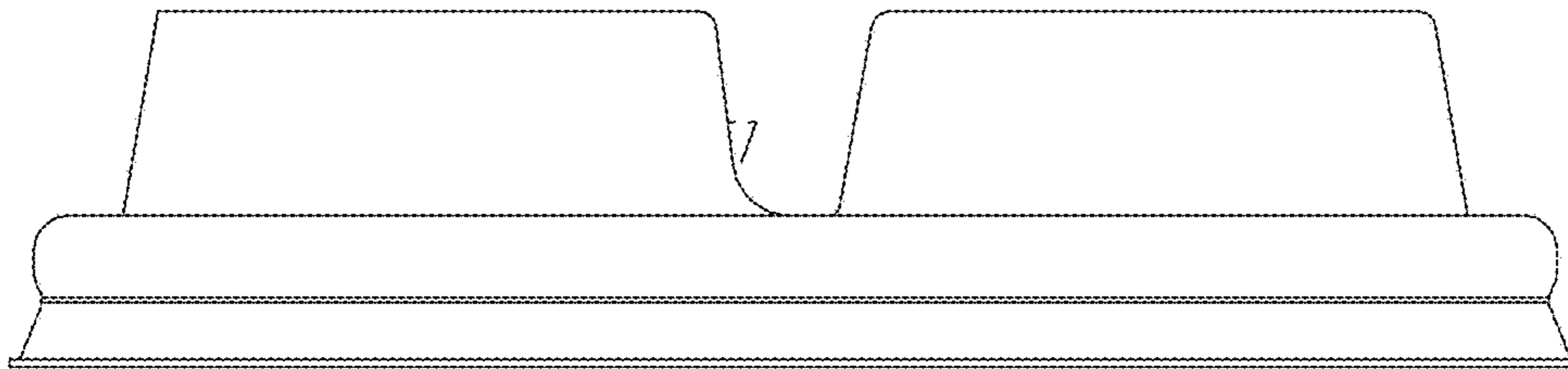


FIG. 1

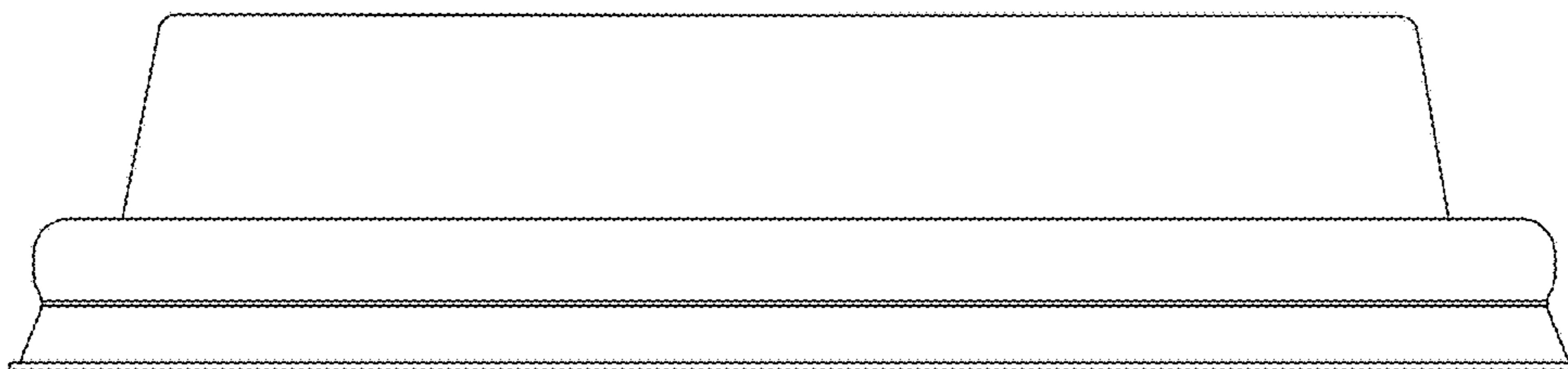


FIG. 2

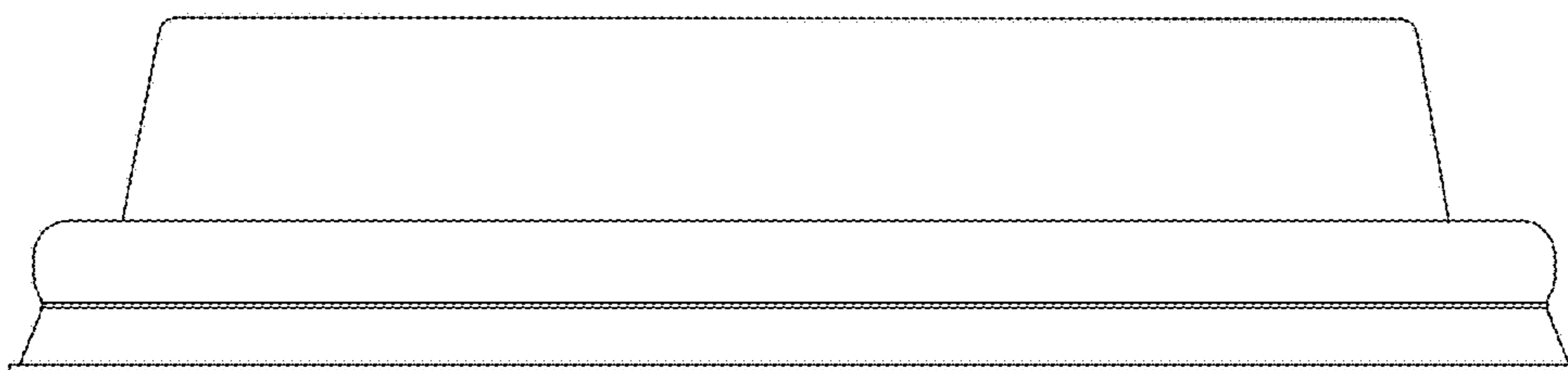


FIG. 3

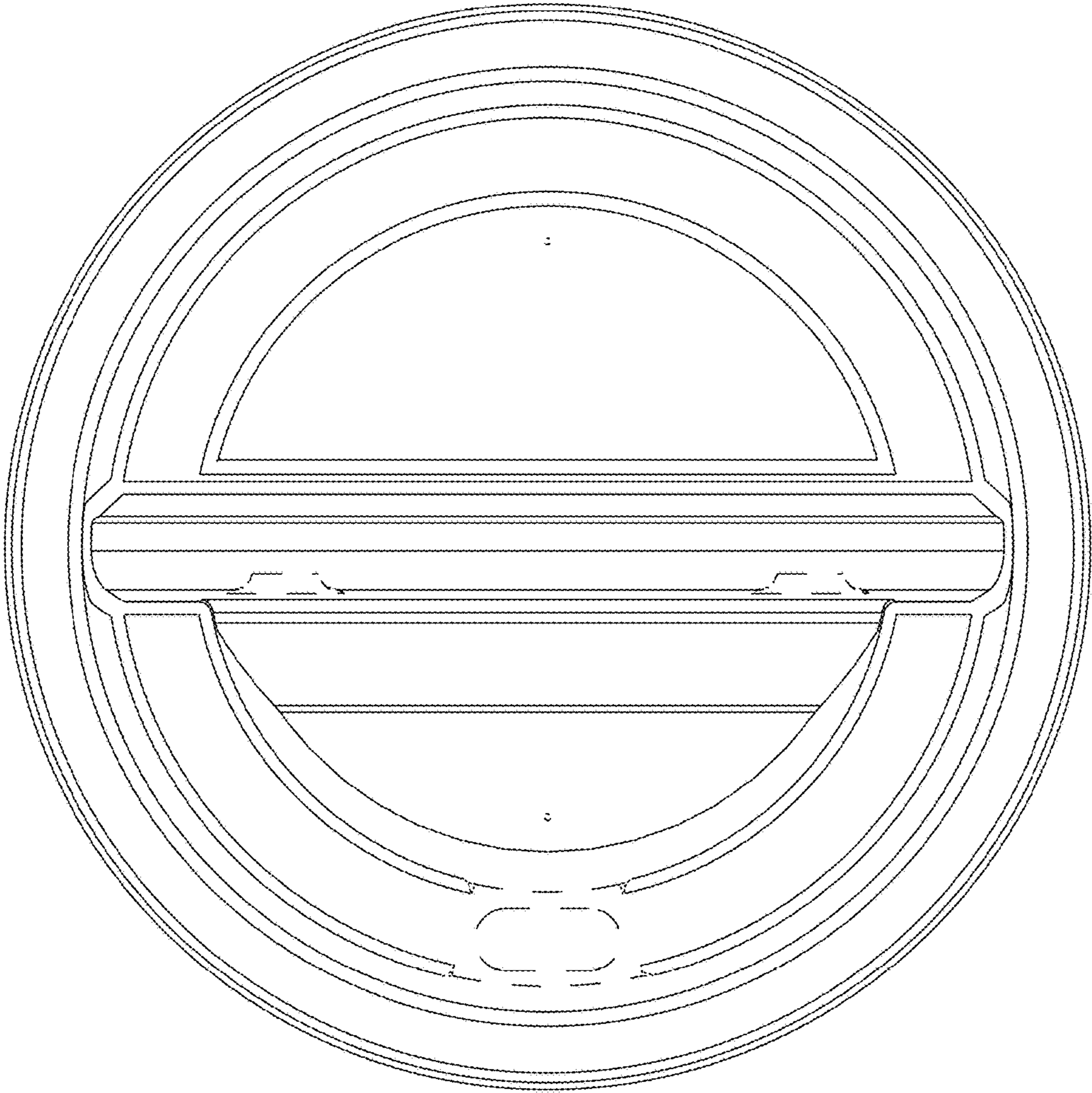


FIG. 4

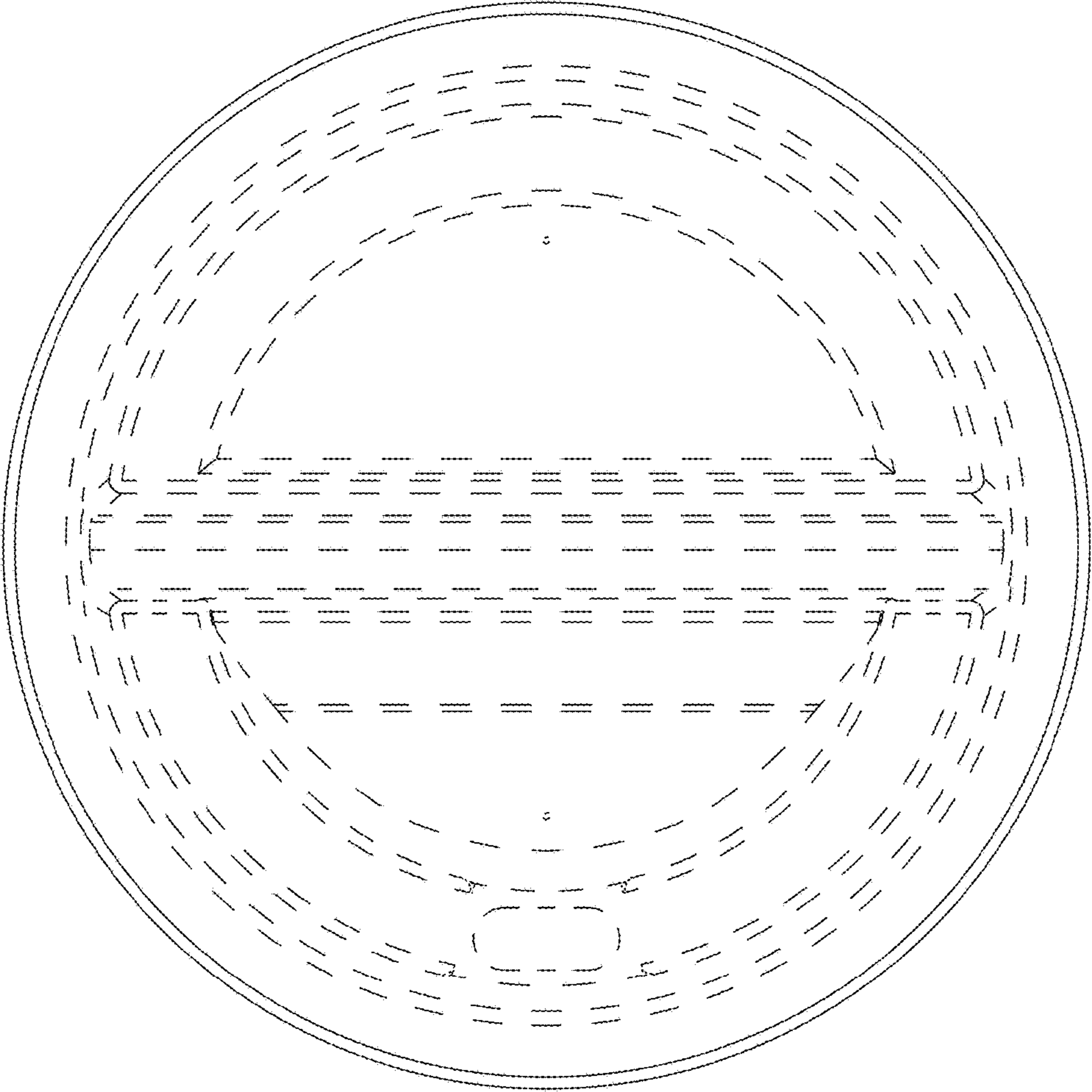


FIG. 5

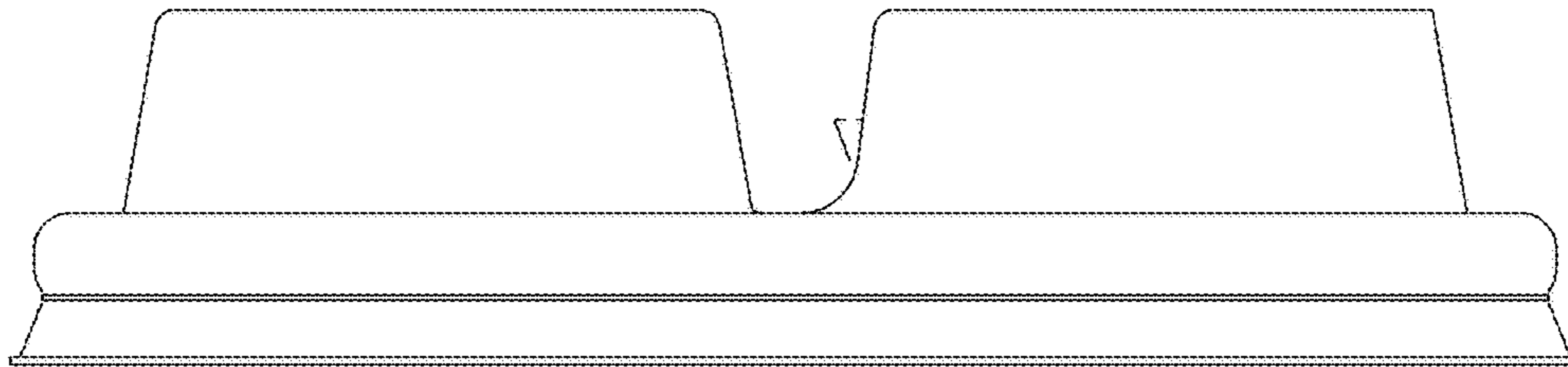


FIG. 6

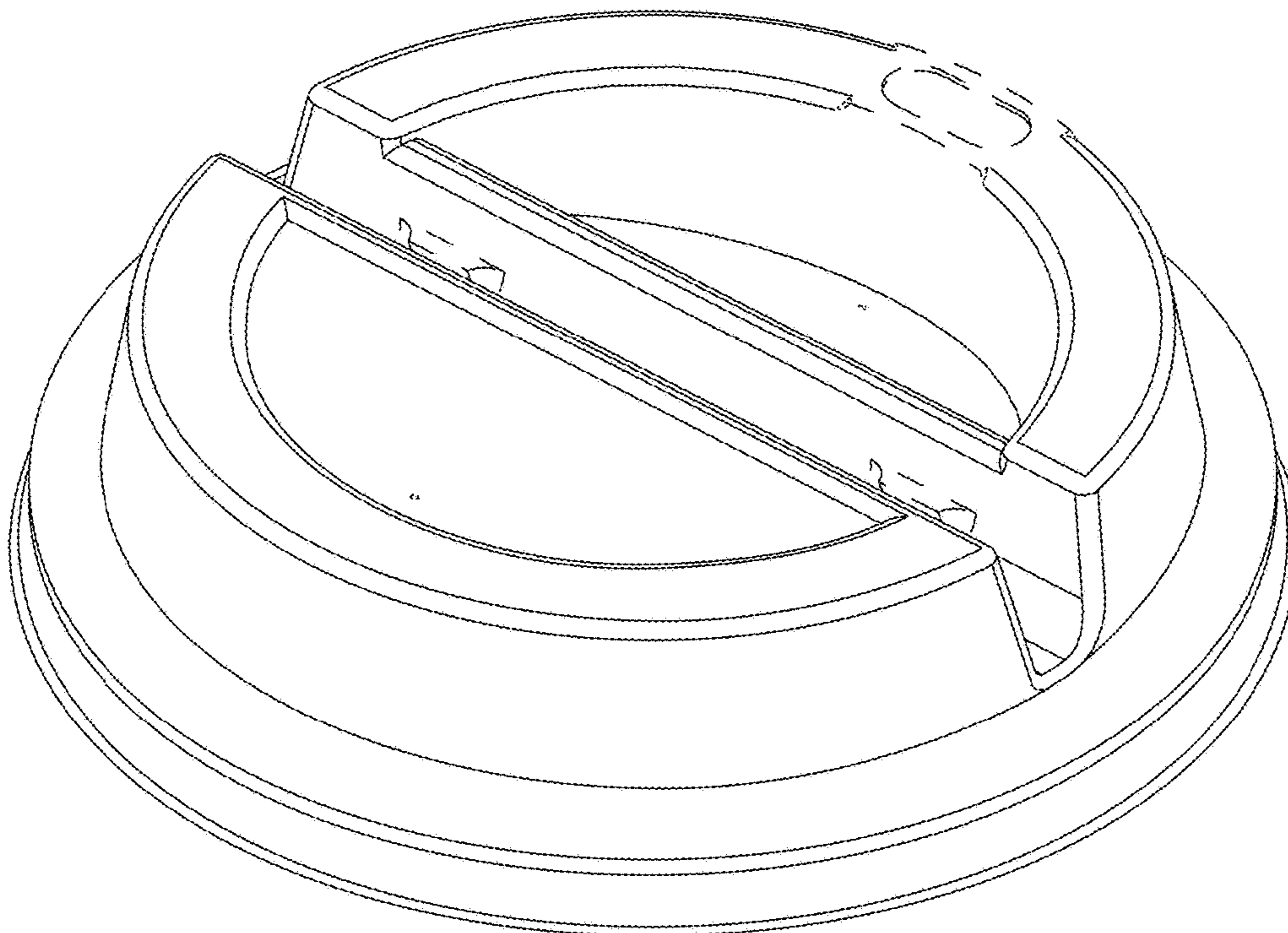


FIG. 7

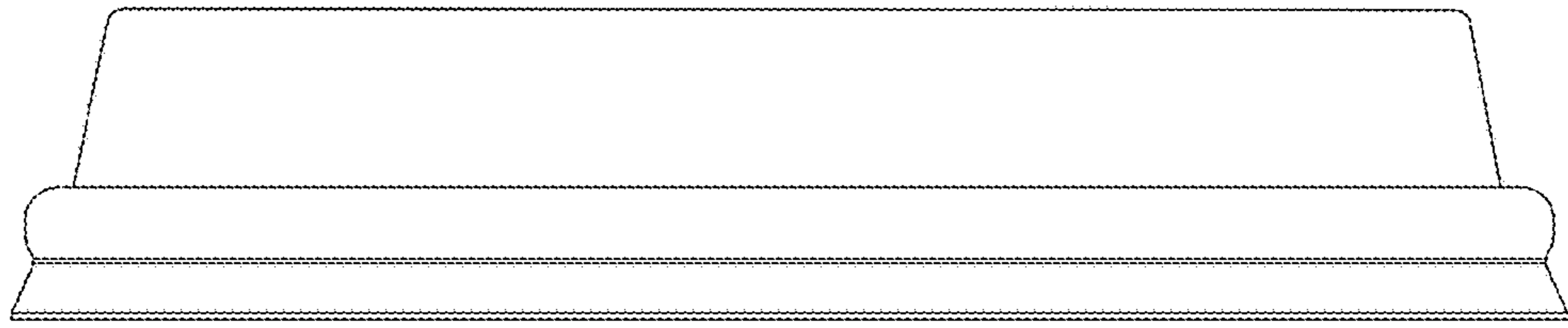


FIG. 8

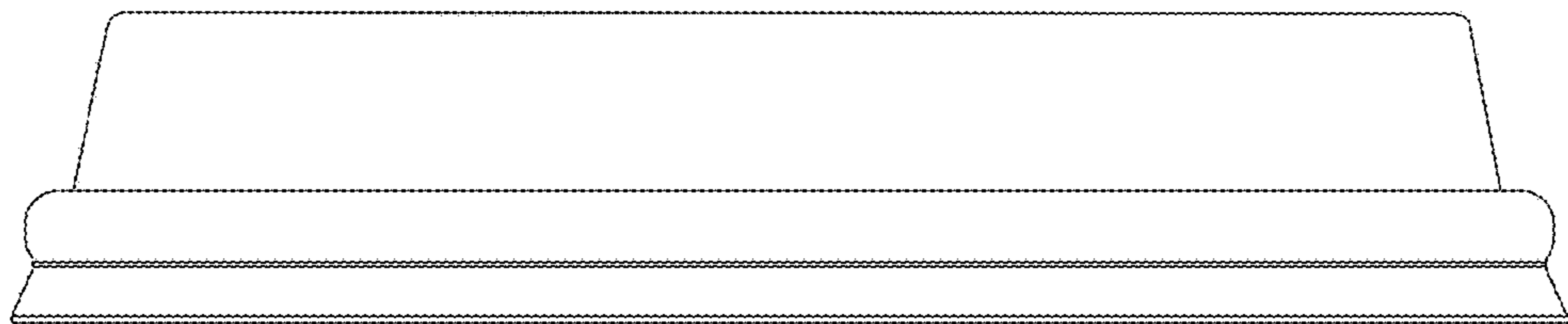


FIG. 9

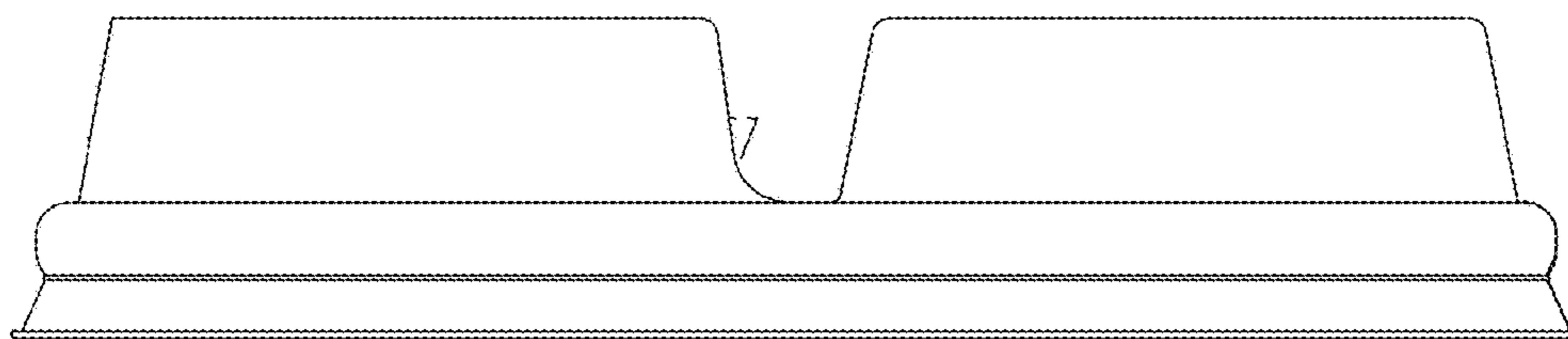


FIG. 10

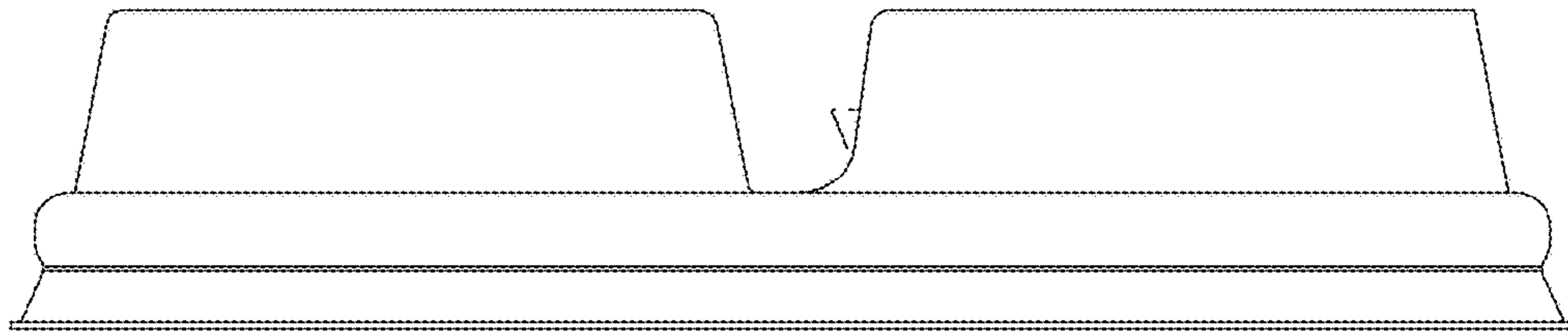


FIG. 11

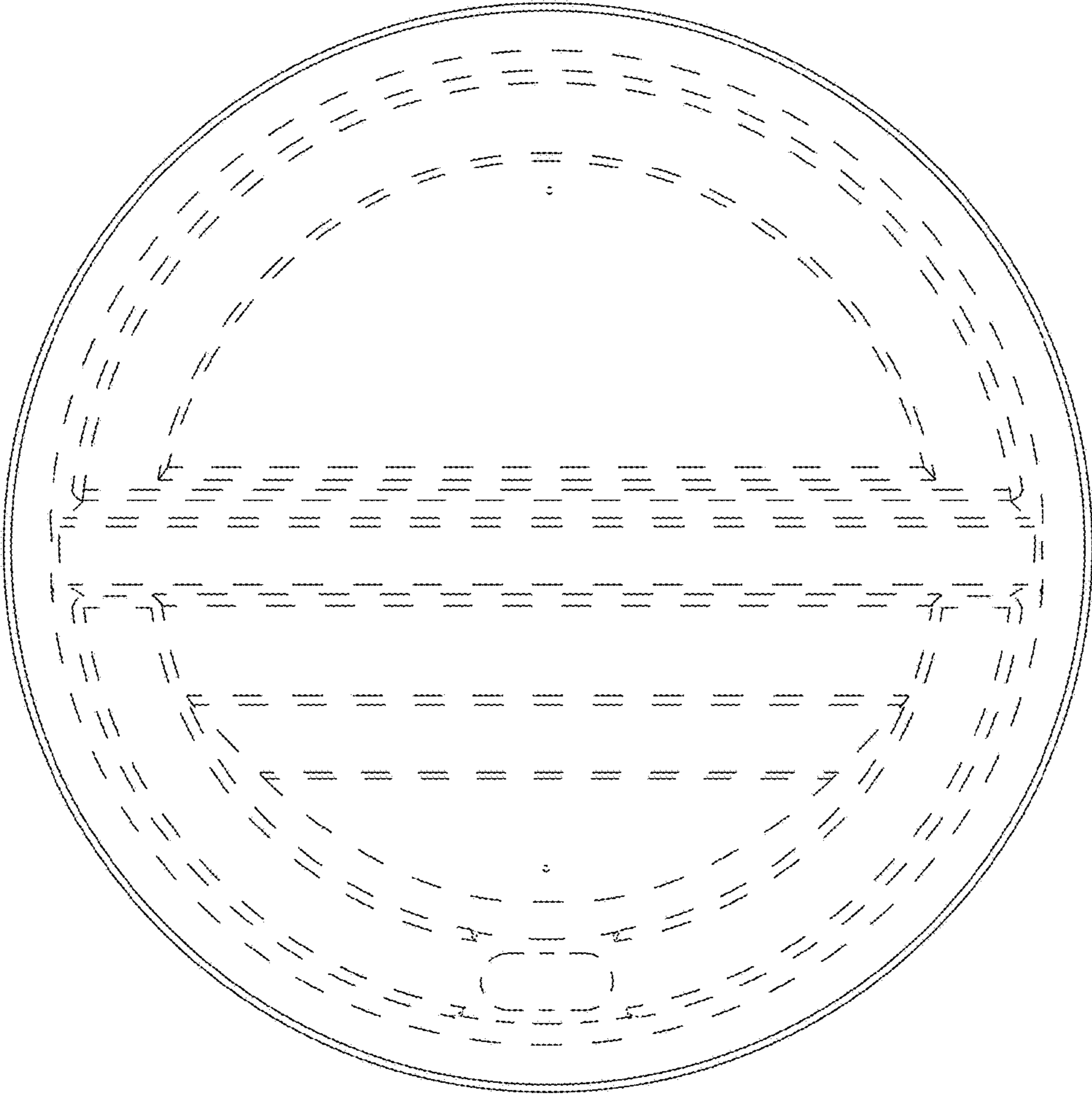


FIG. 12

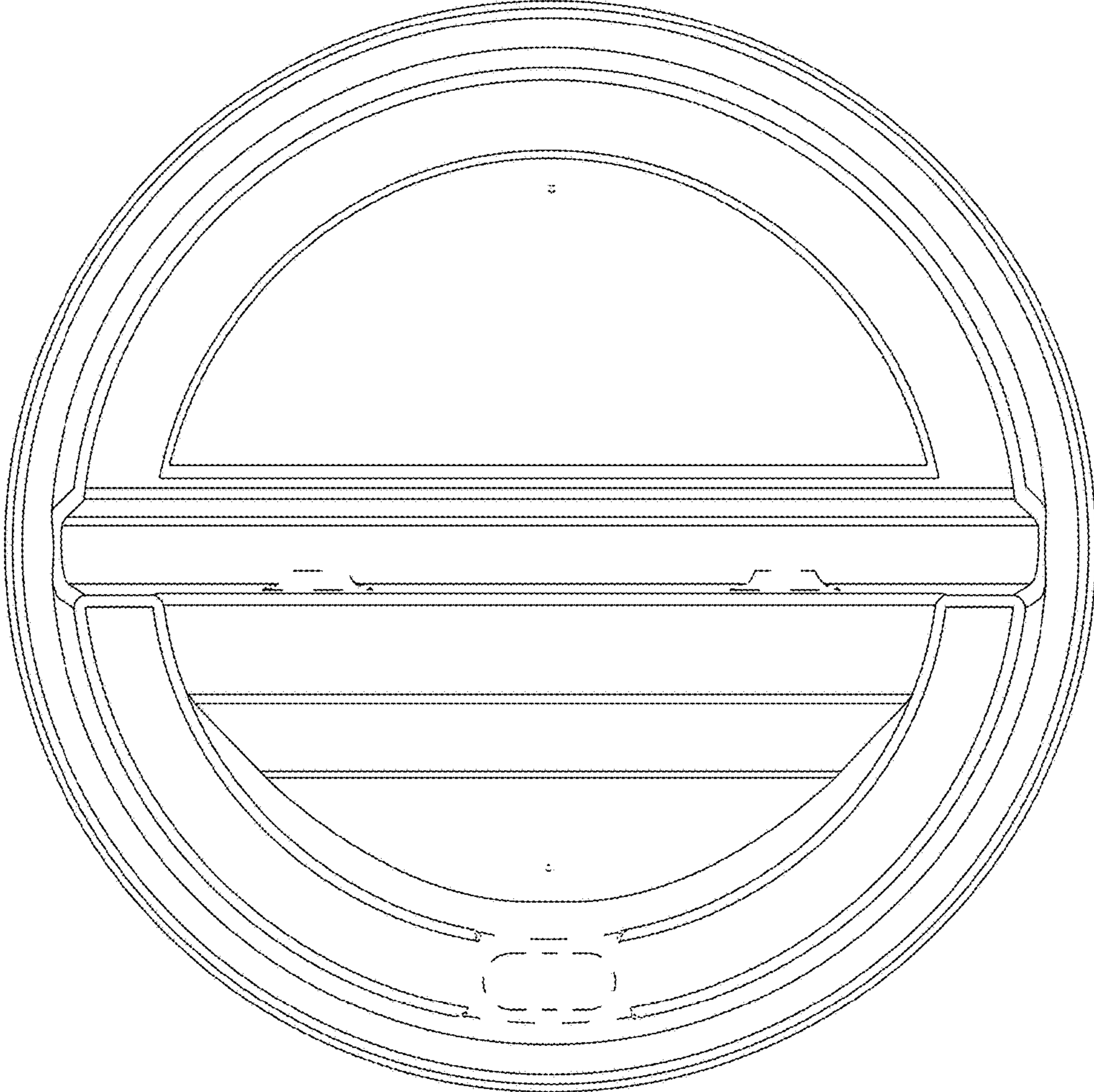


FIG. 13

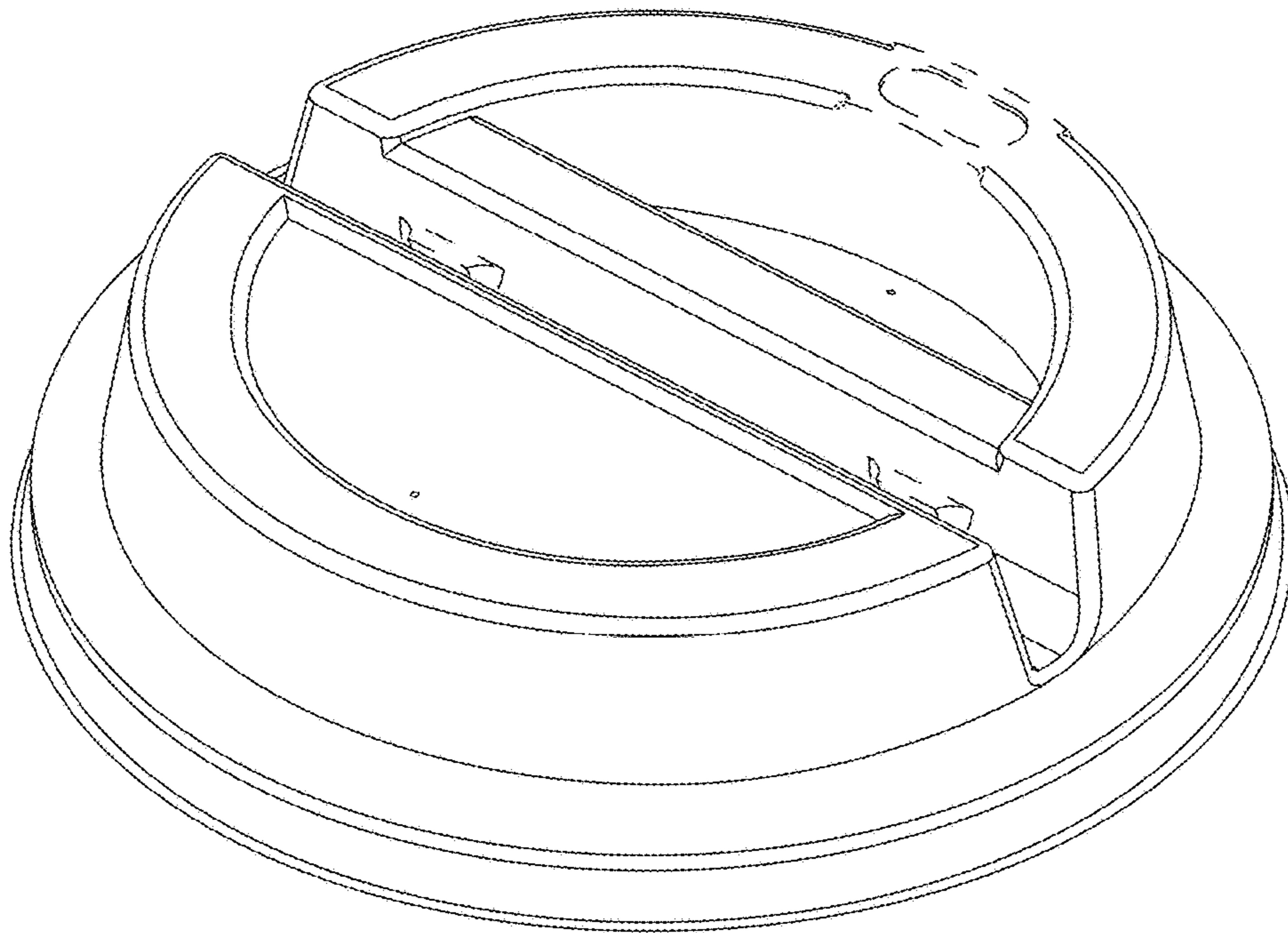


FIG. 14