



US00D797554S

(12) **United States Design Patent** (10) **Patent No.:** **US D797,554 S**
Bankowski (45) **Date of Patent:** **** *Sep. 19, 2017**

- (54) **BLANK FOR FORMING A LID OF A CONTAINER**
- (71) Applicant: **Visy R & D Pty Ltd**, Southbank (AU)
- (72) Inventor: **Piotr Bankowski**, Kyneton (AU)
- (73) Assignee: **Visy R & D Pty Ltd**, Southbank Victoria (AU)

D727,142 S *	4/2015	Bankowski	D9/418
D744,332 S *	12/2015	D'Anglade	D9/418
D764,279 S *	8/2016	Sevsek	D9/431
D772,703 S *	11/2016	Choi	D9/433
2005/0150939 A1 *	7/2005	Fakes	B65D 5/0227 229/235
2011/0000957 A1 *	1/2011	Delause	B65D 5/001 229/125.01
2016/0137333 A1 *	5/2016	Brundage	B31B 3/26 229/5.5

- (*) Notice: This patent is subject to a terminal disclaimer.
- (**) Term: **15 Years**
- (21) Appl. No.: **29/560,868**
- (22) Filed: **Apr. 11, 2016**
- (30) **Foreign Application Priority Data**

Oct. 12, 2015 (AU) 201515365

- (51) **LOC (10) Cl.** **09-03**
- (52) **U.S. Cl.**
USPC **D9/433**
- (58) **Field of Classification Search**
USPC D9/414-434, 442-445, 456, 457, 542,
D9/563, 707, 708, 711, 754, 759,
D9/772-776; D3/273, 276, 304, 305,
D3/307, 309-313; D7/601, 602; D19/75,
D19/90
CPC B65D 5/00; B65D 5/001; B65D 5/0015;
B65D 5/1209; B65D 5/0227-5/0254;
B65D 5/18; B65D 5/06; B65D 5/6605
See application file for complete search history.

(56) **References Cited**

U.S. PATENT DOCUMENTS

D289,974 S *	5/1987	Hamilton	D9/418
D307,109 S *	4/1990	Dasher	D3/307
D477,217 S *	7/2003	Riedi	D9/418
D518,526 S *	4/2006	Benn	D19/90
D710,442 S *	8/2014	Stravitz	D19/90

OTHER PUBLICATIONS

Almost As Good As a Cardboard Box. [online] Published date Mar. 11, 2010. Retrieved on Dec. 6, 2016 from <URL: <http://preschoolpatti.blogspot.com/2010/03/almost-as-good-as-cardboard-box.html>>.*
 U.S. Appl. No. 29/560,867, Non Final Office Action dated Dec. 15, 2016, 8 pgs.
 U.S. Appl. No. 29/560,867, Non-Final Office Action Response dated Mar. 14, 2017, 6 pgs.

* cited by examiner

Primary Examiner — Vy Koenig
Assistant Examiner — Omeed Agilee
 (74) *Attorney, Agent, or Firm* — Schwegman Lundberg & Woessner, P.A.

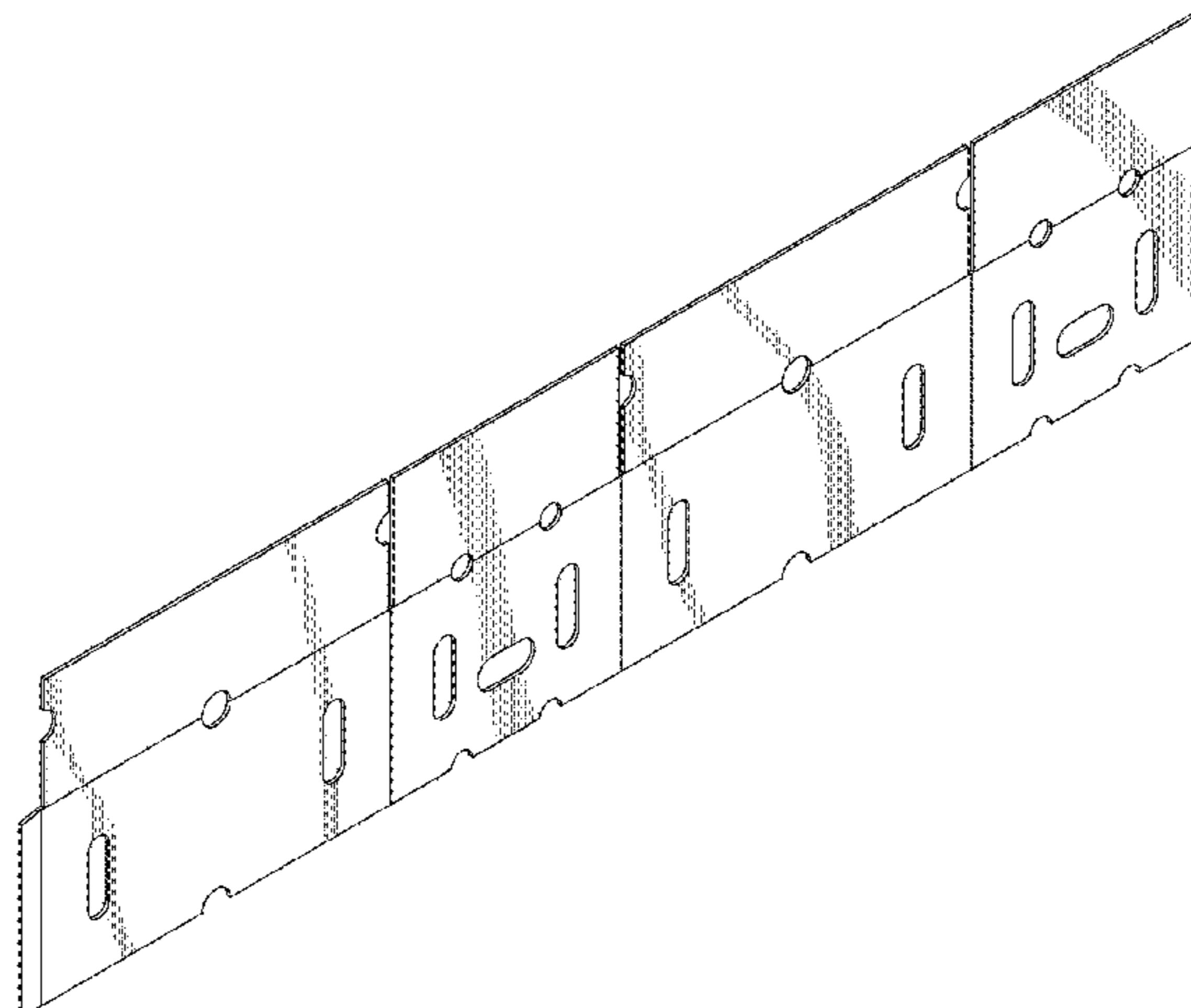
(57) **CLAIM**

The ornamental design for a blank for forming a lid of a container, as shown and described.

DESCRIPTION

FIG. 1 is a top, front, and left perspective view of a blank for forming a lid of container showing my new design;
 FIG. 2 is a front elevational view thereof, the rear elevational view is a mirror image of the front elevational view;
 FIG. 3 is a left side elevational view thereof;
 FIG. 4 is a right side elevational view thereof;
 FIG. 5 is a top plan view thereof; and,
 FIG. 6 is a bottom plan view thereof.

1 Claim, 4 Drawing Sheets



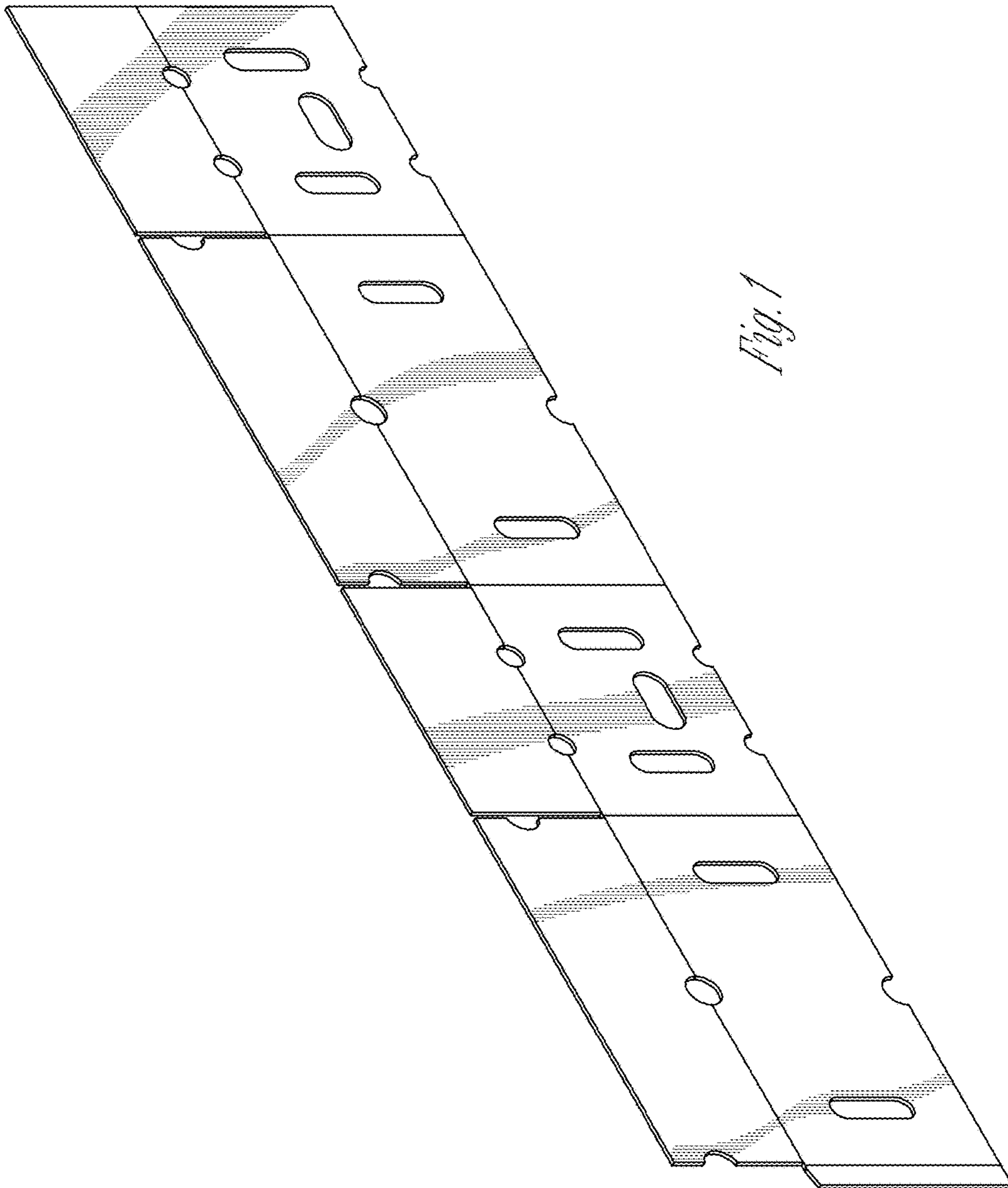


Fig. 1

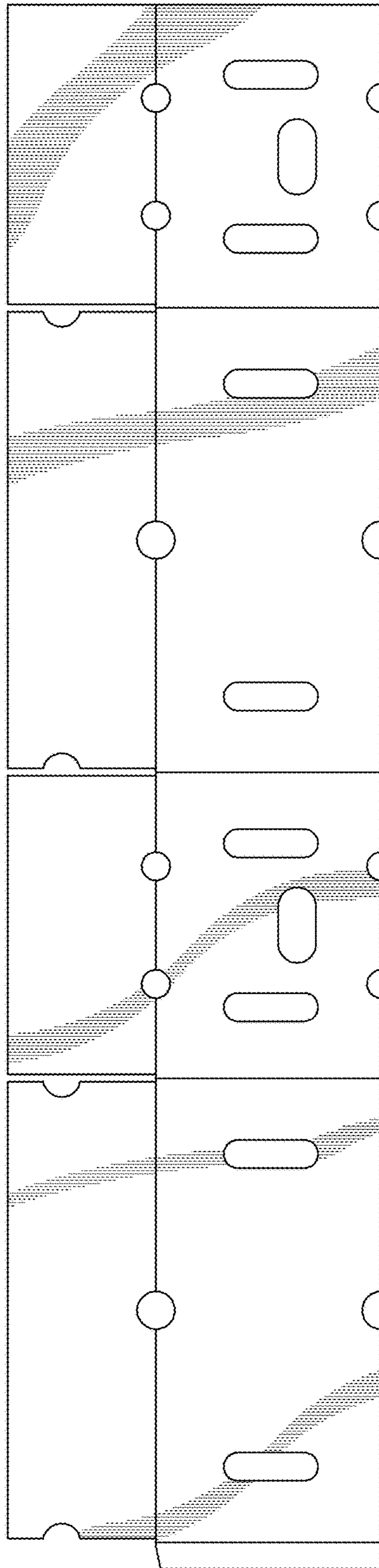


Fig. 2



Fig. 3



Fig. 4



Fig. 5



Fig. 6