



US00D797553S

(12) **United States Design Patent** (10) **Patent No.:** **US D797,553 S**
Huang (45) **Date of Patent:** **** Sep. 19, 2017**

- (54) **COSMETICS CONTAINER**
- (71) Applicant: **Markwins Beauty Products, Inc.**, City of Industry, CA (US)
- (72) Inventor: **Emily Huang**, City of Industry, CA (US)
- (73) Assignee: **Markwins Beauty Products, Inc.**, City of Industry, CA (US)
- (**) Term: **15 Years**
- (21) Appl. No.: **29/550,329**
- (22) Filed: **Dec. 31, 2015**
- (51) **LOC (10) Cl.** **09-01**
- (52) **U.S. Cl.**
USPC **D9/432; D9/549; D9/574; D28/83; D28/85**
- (58) **Field of Classification Search**
USPC **D4/116; D6/515-516, 542-545; D7/300-322, 391-396.2, 509-511, 523, D7/565, 570, 584, 586, 589, 598, 612, D7/615, 619.1; D9/429, 432, 435-436, D9/439-440, 443, 447, 454, 500-575; D24/197; D28/78, 82, 83, 85, 88, 89, 91; 215/40-55, 235-245, 316-364, 370-385; 220/4.01-4.34, 560.09, 566, 568, 569, 220/574-575, 592.13-592.19, 703-719**
CPC **B65D 1/00; B65D 1/02; B65D 1/0223; B65D 1/023; B65D 1/0276**
See application file for complete search history.

- D708,790 S * 7/2014 Schlatter D28/89
- D709,652 S * 7/2014 Teller D28/83
- D710,544 S * 8/2014 Shen D28/77
- D724,383 S * 3/2015 May D7/510
- D735,039 S * 7/2015 Pires D9/504
- (Continued)

OTHER PUBLICATIONS

ABA Packaging Corporation Catalog, ABA Packaging Corp., Holtsville, NY, Received May 2011, pp. 3 and 5.*
(Continued)

Primary Examiner — Cathron Brooks
Assistant Examiner — Christian P McLean
(74) *Attorney, Agent, or Firm* — Danton Mak; Leech Tishman Fuscaldo & Lampl

(57) **CLAIM**

I claim the ornamental design for the cosmetics container, as shown and described.

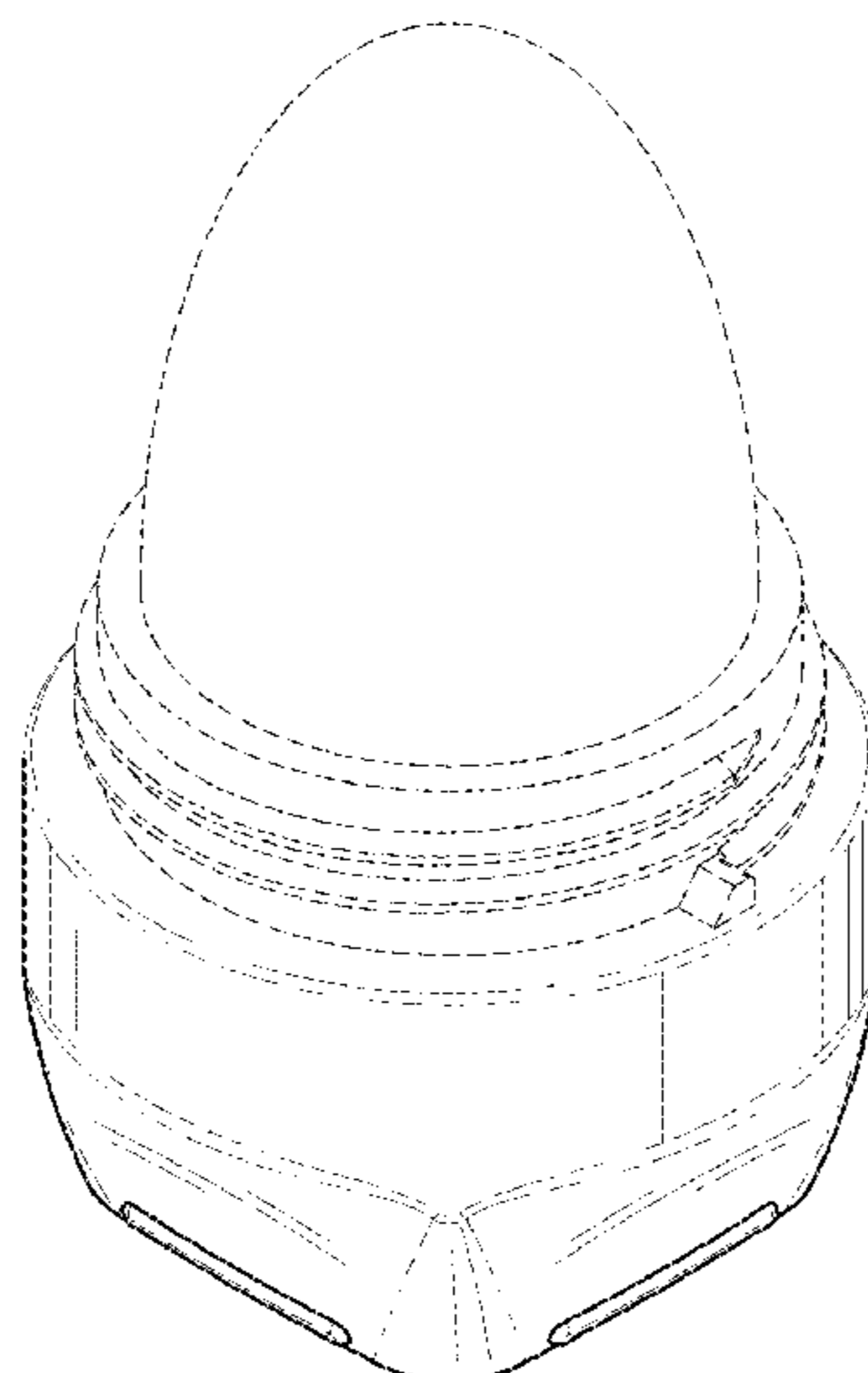
DESCRIPTION

FIG. 1 is a perspective view of the cosmetics container showing the new design;
FIG. 2 is a right plan view of the cosmetics container of FIG. 1.
FIG. 3 is a left plan view of the cosmetics container of FIG. 1.
FIG. 4 is a front plan view of the cosmetics container of FIG. 1.
FIG. 5 is a rear plan view of the cosmetics container of FIG. 1.
FIG. 6 is a top plan view of the cosmetics container of FIG. 1; and,
FIG. 7 is a bottom plan view of the cosmetics container of FIG. 1.
Features shown in broken lines in the various figures in the drawings represent features of the article of manufacture that form no part of the claimed design.

1 Claim, 6 Drawing Sheets

(56) **References Cited**
U.S. PATENT DOCUMENTS

- D321,129 S * 10/1991 Giuseppe D23/366
- D377,757 S * 2/1997 Bertolini D9/503
- D534,039 S * 12/2006 Laib D7/565
- D644,939 S * 9/2011 Teller D9/726
- D682,622 S * 5/2013 Keys D7/586
- D693,673 S * 11/2013 de Witte D9/429



(56)

References Cited

U.S. PATENT DOCUMENTS

D735,413 S * 7/2015 Smith D28/83
D735,415 S * 7/2015 Thompson D28/83
D742,593 S * 11/2015 Corey D28/83
D758,867 S * 6/2016 Tsai D28/89
D768,936 S * 10/2016 Yoshida D28/83
D768,937 S * 10/2016 Yoshida D28/83
D778,502 S * 2/2017 Teller D28/85
D778,503 S * 2/2017 Teller D28/85
2006/0254945 A1 * 11/2006 Green A45D 40/0068
206/457
2017/0013936 A1 * 1/2017 Schlatter A45D 33/02

OTHER PUBLICATIONS

Mohan, Anne Marie. "Shelf Impact!/Dragon Rouge Q3 2012 Innovation Survey Packages." packworld.com. Jul. 27, 2012. Accessed May 10, 2017. Available online at URL: <<https://www.packworld.com/package-design/structural/shelf-impactdragon-rouge-q3-2012-innovation-survey-packages>>.*

* cited by examiner

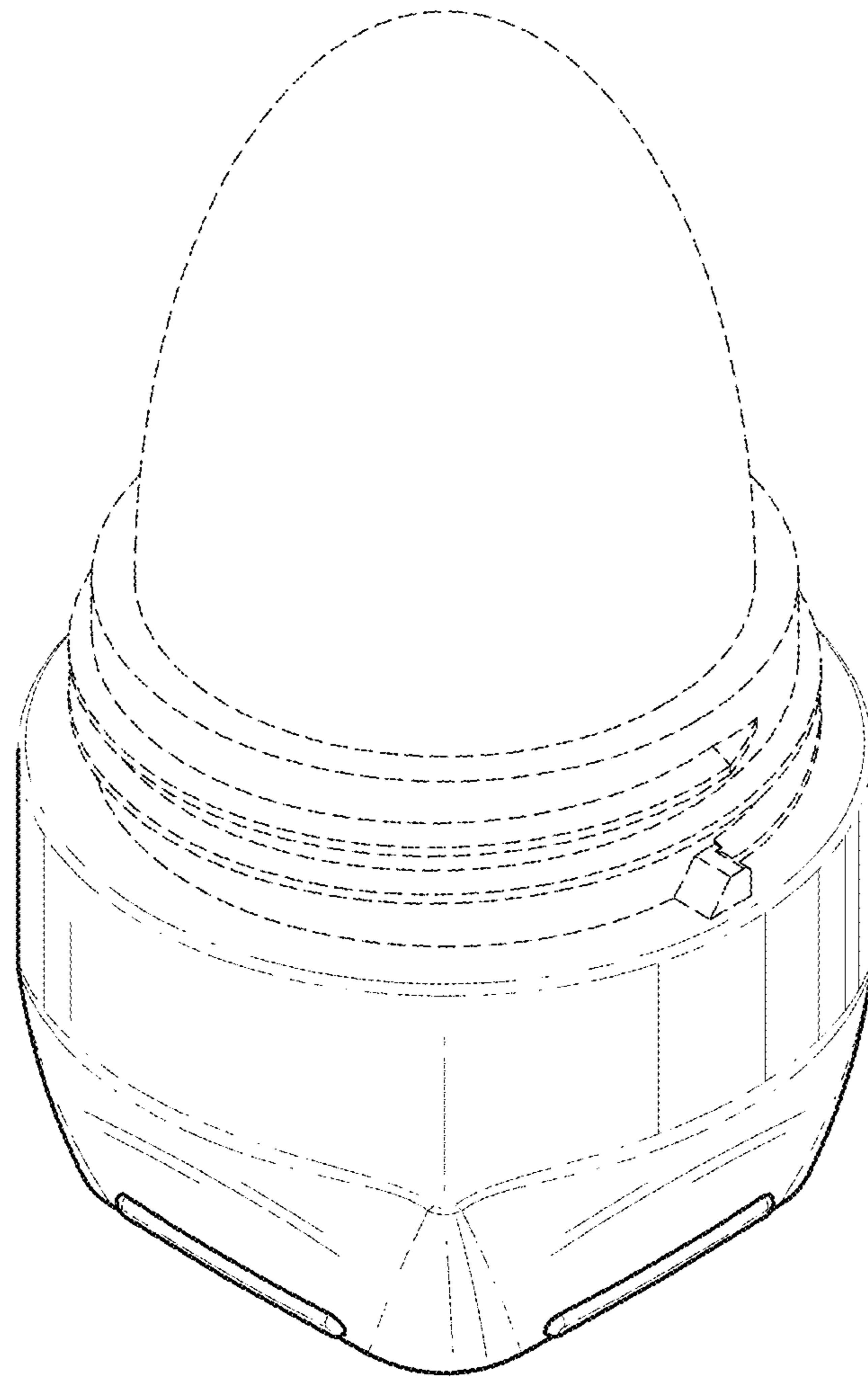


FIG. 1

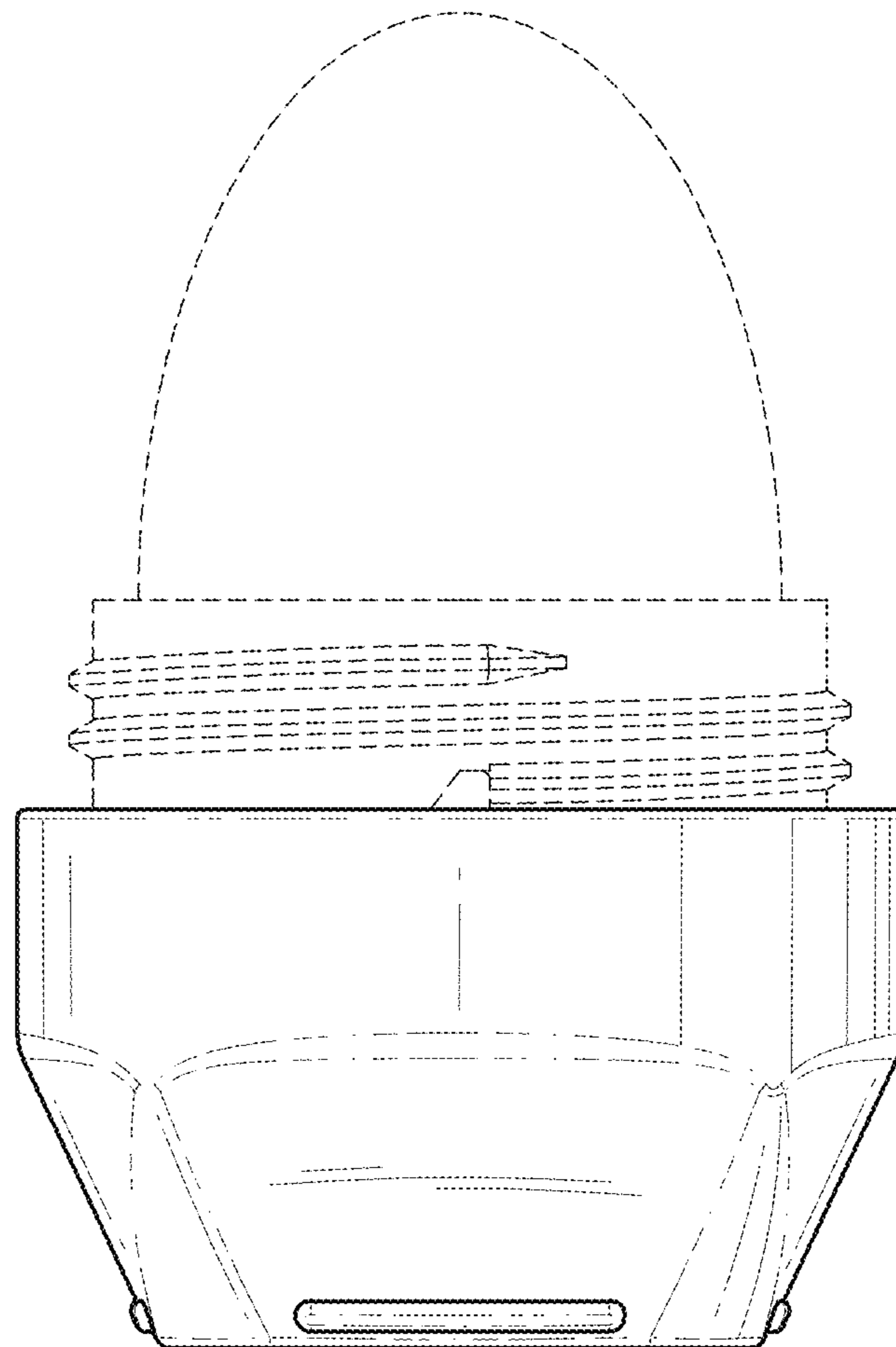


FIG. 2

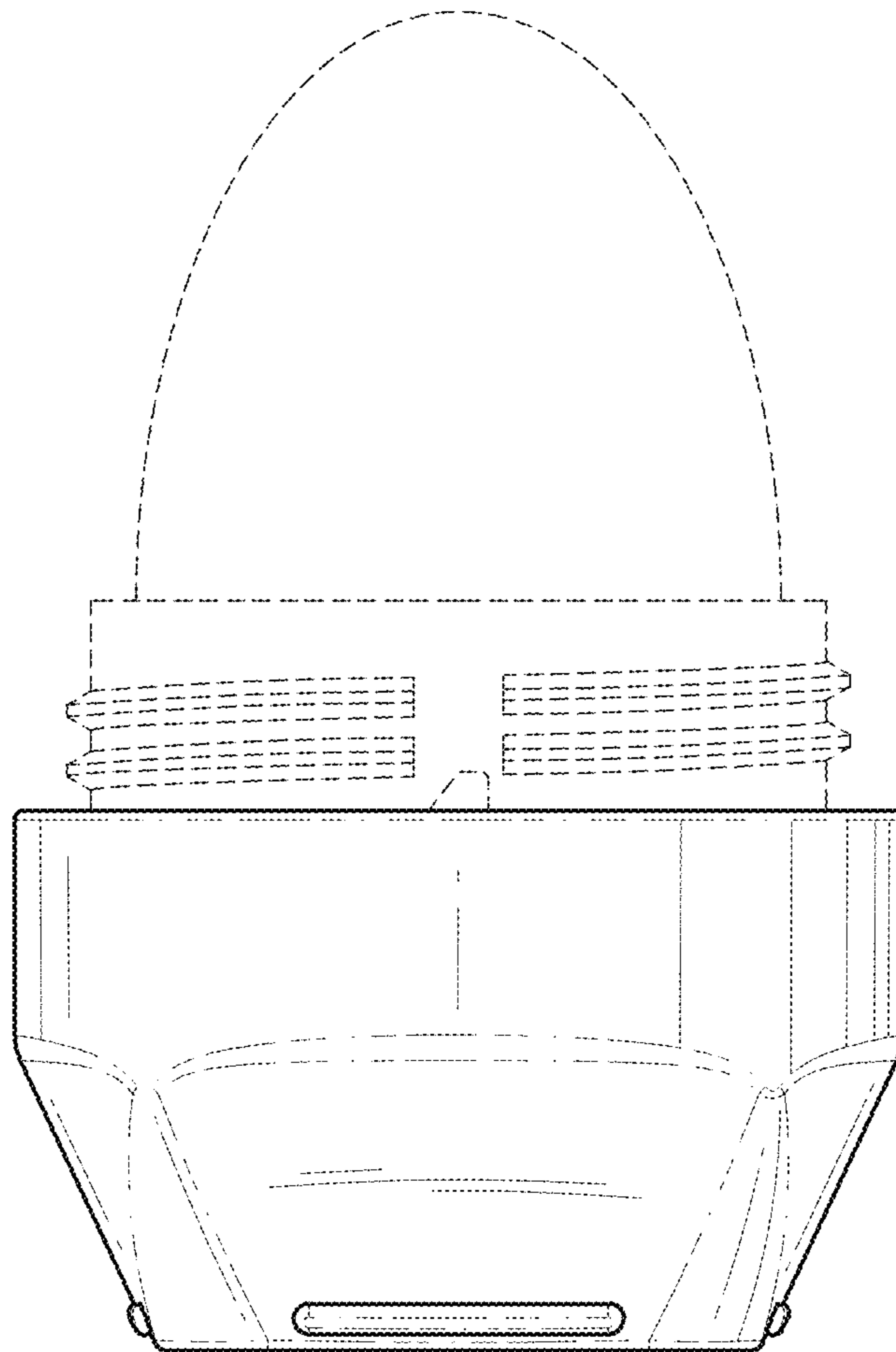


FIG. 3

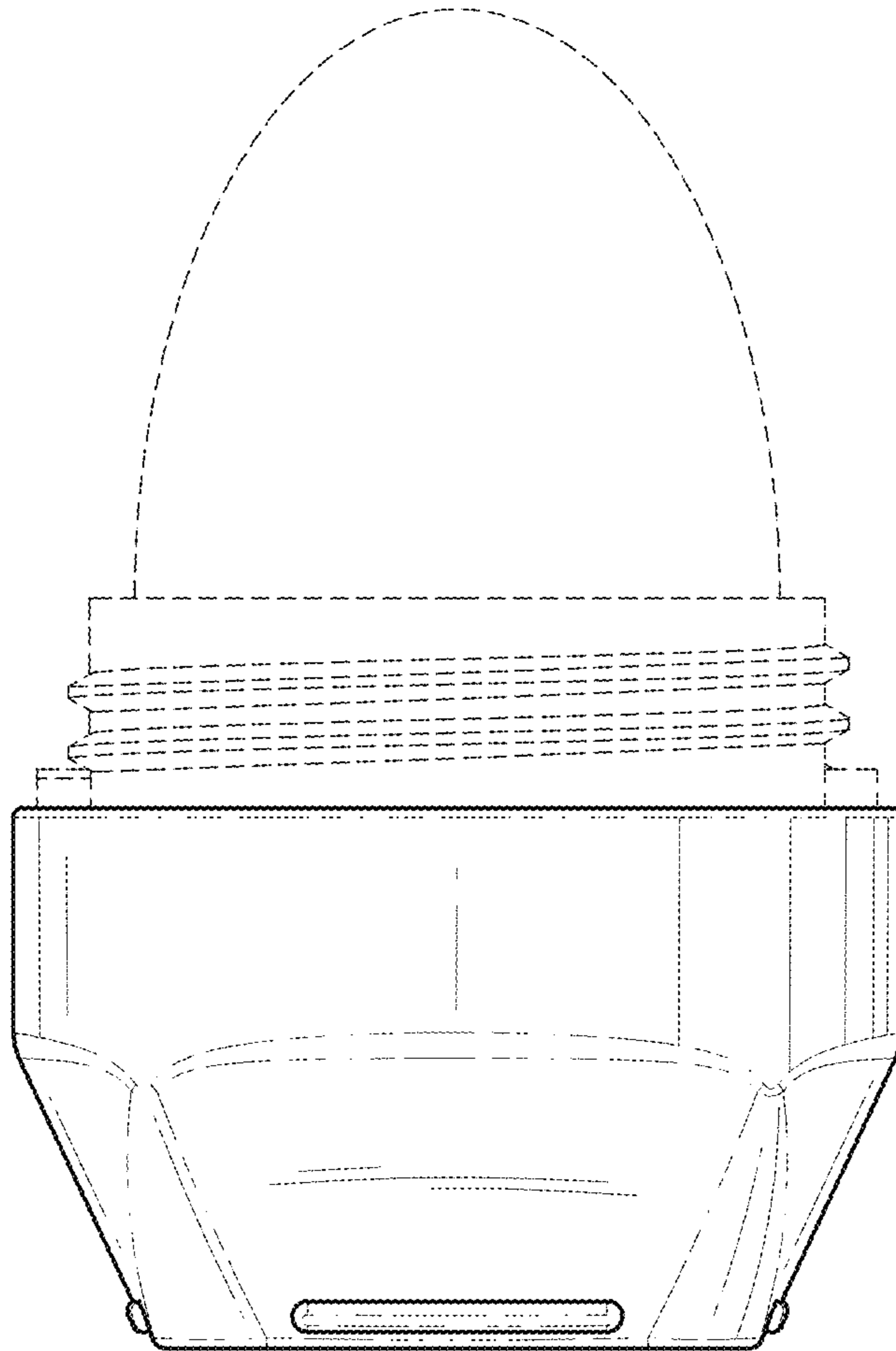


FIG. 4

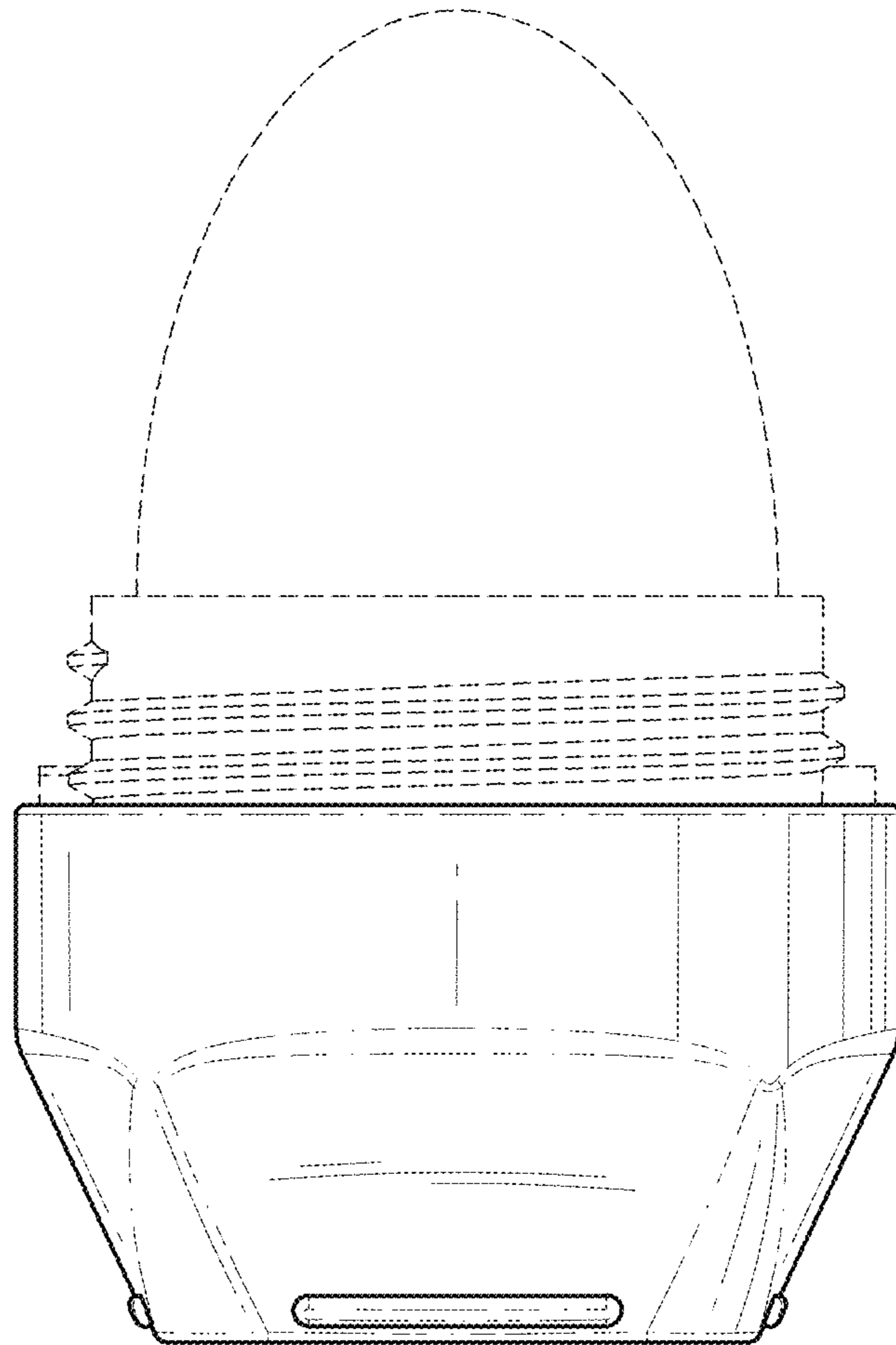


FIG. 5

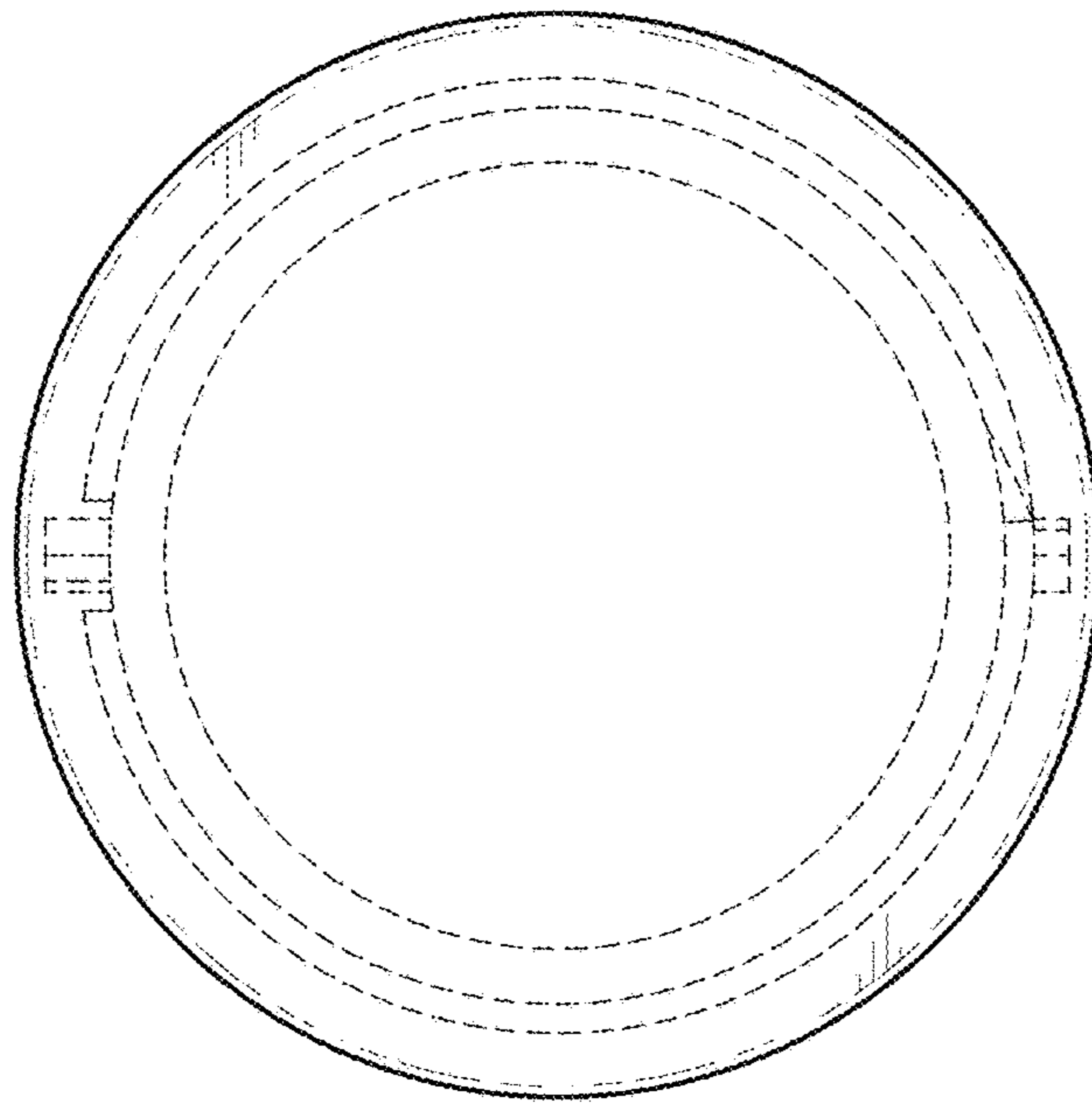


FIG. 6

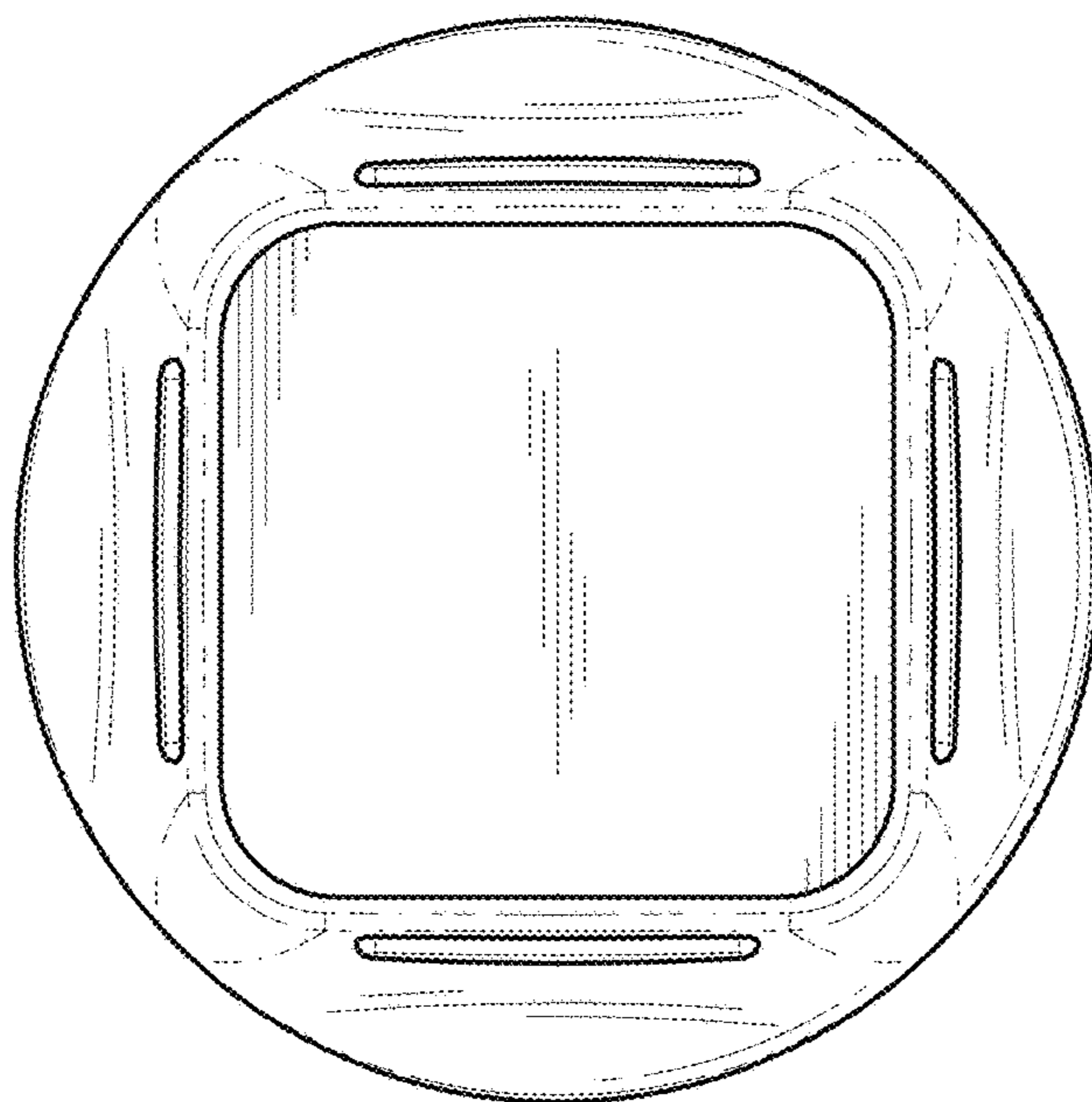


FIG. 7