

US00D797551S

(12) **United States Design Patent** (10) **Patent No.:** **US D797,551 S**  
**Chatterton et al.** (45) **Date of Patent:** **\*\* Sep. 19, 2017**

(54) **RIGID TRAY**

B65D 2519/00268; B65D 2519/00318;  
B65D 77/003; B65D 2519/00208

(71) Applicant: **ConAgra Foods RDM, Inc.**, Omaha, NE (US)

See application file for complete search history.

(72) Inventors: **Chadd R. Chatterton**, Kenosha, WI (US); **James W. Clements**, Russellville, AR (US)

(56) **References Cited**

U.S. PATENT DOCUMENTS

(73) Assignee: **ConAgra Foods RDM, Inc.**, Omaha, NE (US)

(\*\*) Term: **14 Years**

(21) Appl. No.: **29/520,752**

(22) Filed: **Mar. 17, 2015**

(51) **LOC (10) Cl.** ..... **09-03**

(52) **U.S. Cl.**  
USPC ..... **D9/425**; D9/430

(58) **Field of Classification Search**

USPC ..... D9/414, 415, 423, 424, 425, 430, 737; D7/400, 553.1, 553.2, 554.3, 545, 555, D7/601, 602, 629, 630; 220/62.12, 200, 220/213, 315, 318, 500, 553, 554, 555, 220/556, 557, 660, 669, 675, 676, 677, 220/780, 796, 810; 426/106, 112, 115  
CPC ..... B65D 2543/00296; B65D 2543/00092; B65D 85/8043; B65D 43/0212; B65D 1/0223; B65D 2543/00509; B65D 2543/00731; B65D 79/005; B65D 25/04; B65D 2543/00805; B65D 1/36; B65D 85/72; B65D 1/34; B65D 81/3453; B65D 51/20; B65D 2543/00027; B65D 2543/00648; B65D 2543/00972; B65D 85/73; B65D 2543/00416; B65D 2543/00694; B65D 25/00; B65D 81/3216; B65D 2543/00759; B65D 1/0207; B65D 81/3205; B65D 2519/00288; B65D 2519/00034; B65D 2519/00069; B65D 25/08; B65D 1/24; B65D 2519/00174;

4,616,762	A	*	10/1986	Alexander	.....	A47J 36/022
						206/503
D484,749	S	*	1/2004	Garraway	.....	D7/584
D551,505	S	*	9/2007	Friedland	.....	D7/543
D551,506	S	*	9/2007	Friedland	.....	D7/543
D551,507	S	*	9/2007	Friedland	.....	D7/543
D551,508	S	*	9/2007	Friedland	.....	D7/543
D551,908	S	*	10/2007	Friedland	.....	D7/500
D578,878	S	*	10/2008	Friedland	.....	D7/545
D578,879	S	*	10/2008	Friedland	.....	D7/545
D578,880	S	*	10/2008	Friedland	.....	D7/545
D578,881	S	*	10/2008	Friedland	.....	D7/545
D582,726	S	*	12/2008	Olsson	.....	D7/554.2
D584,945	S	*	1/2009	Friedland	.....	D7/545
D593,369	S	*	6/2009	Green	.....	D7/602

(Continued)

*Primary Examiner* — Ian Simmons

*Assistant Examiner* — Lauren Calve

(74) *Attorney, Agent, or Firm* — Ryan T. Grace; Advent, LLP

(57) **CLAIM**

The ornamental design for a rigid tray, as shown and described.

**DESCRIPTION**

FIG. 1 is an isomeric view of a rigid tray showing our new design.

FIG. 2 is a top view thereof.

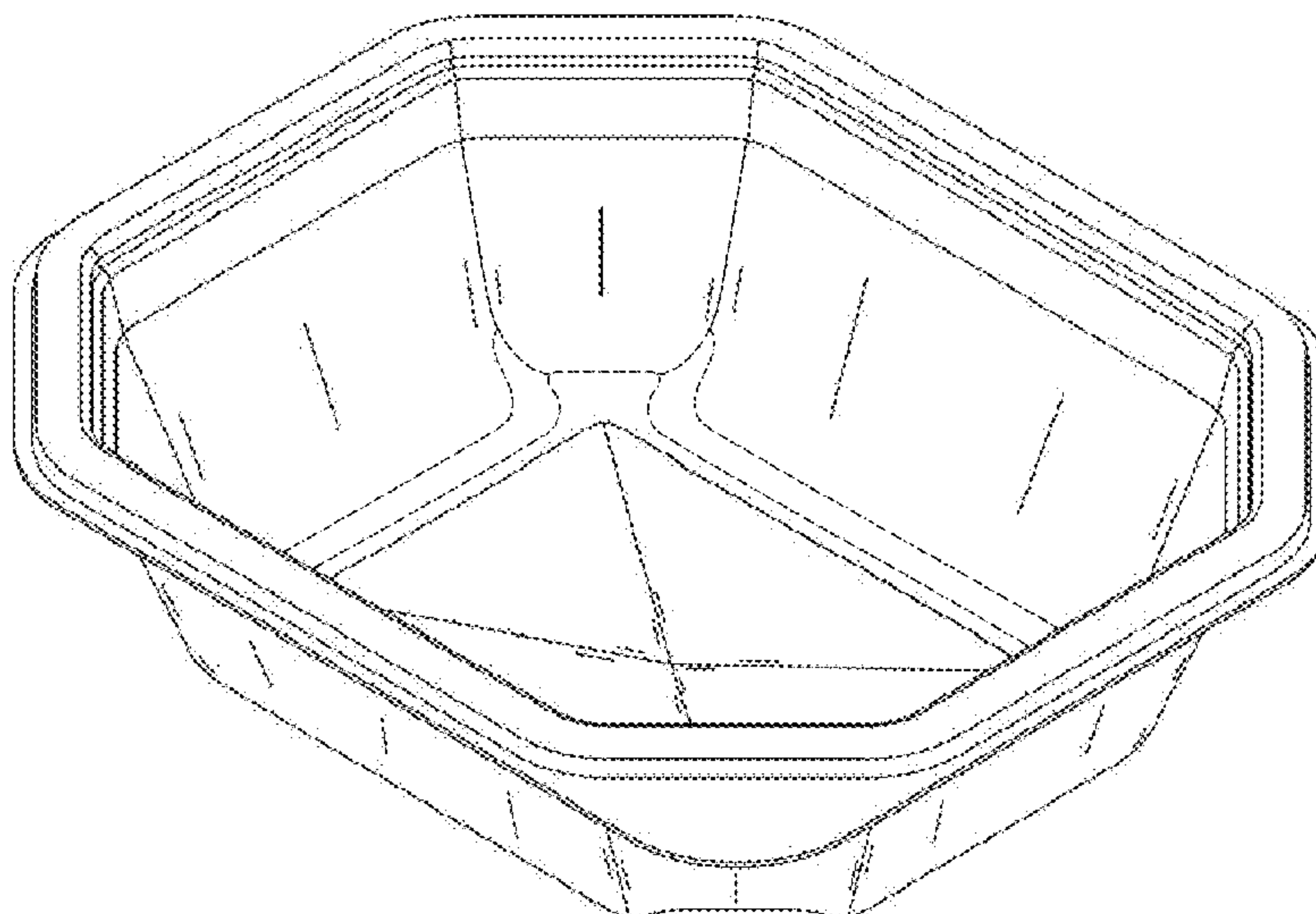
FIG. 3 is a bottom view thereof.

FIG. 4 is a side view thereof; and,

FIG. 5 is an end view thereof.

The broken lines shown represent unclaimed subject matter and form no part of the claimed design.

**1 Claim, 5 Drawing Sheets**



(56)

**References Cited**

U.S. PATENT DOCUMENTS

D635,848 S *	4/2011	Lawrence	.....	D9/425
D640,548 S *	6/2011	Lawrence	.....	D9/430
D643,713 S *	8/2011	Lawrence	.....	D9/430
D688,941 S *	9/2013	Sifuentes	.....	D7/602
8,642,101 B2	2/2014	Nevalainen et al.		
8,895,092 B1	11/2014	Field et al.		
D738,718 S *	9/2015	Yang	.....	D9/425
D741,166 S *	10/2015	Tyberghein	.....	D9/425

\* cited by examiner

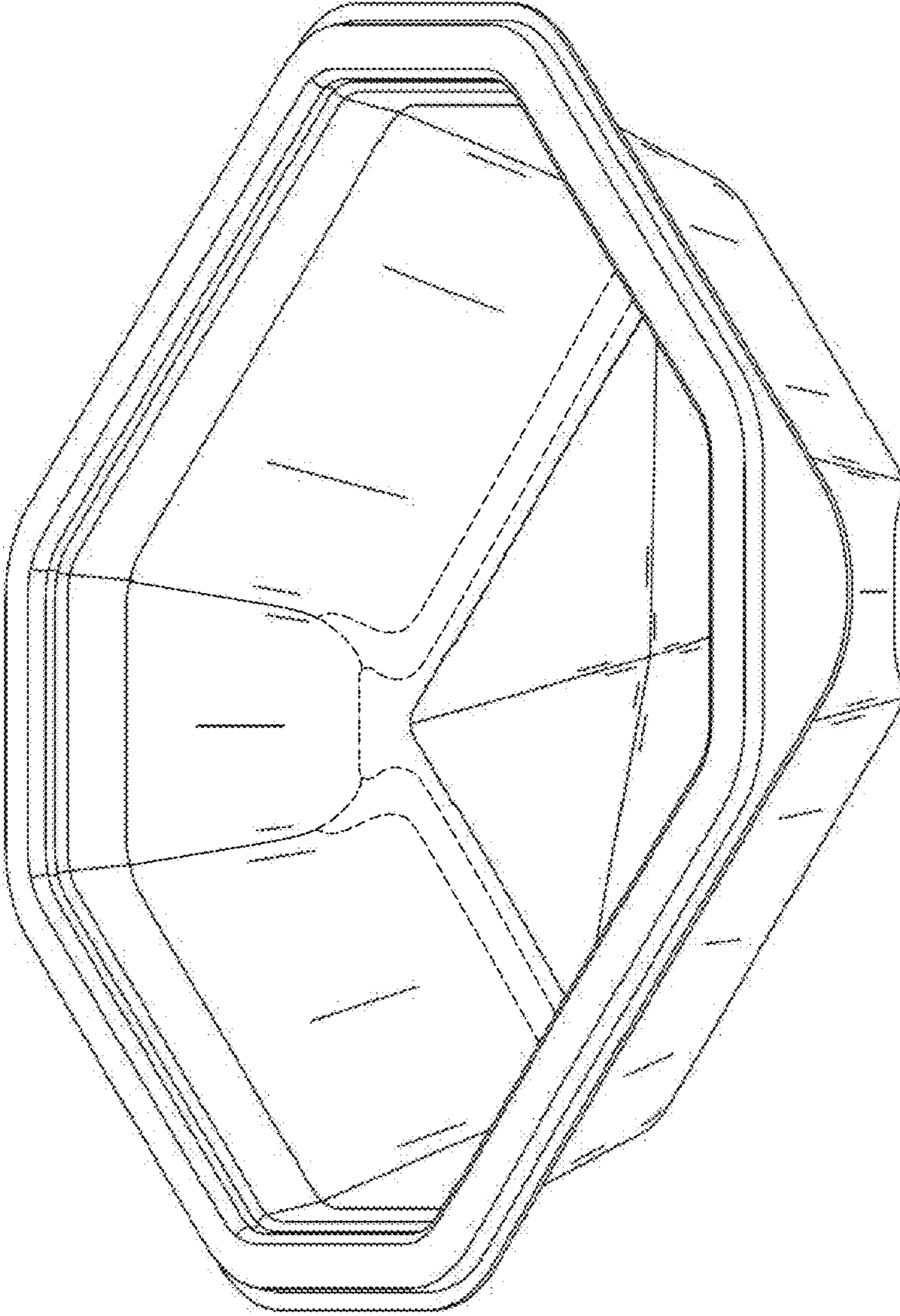


FIG. 1



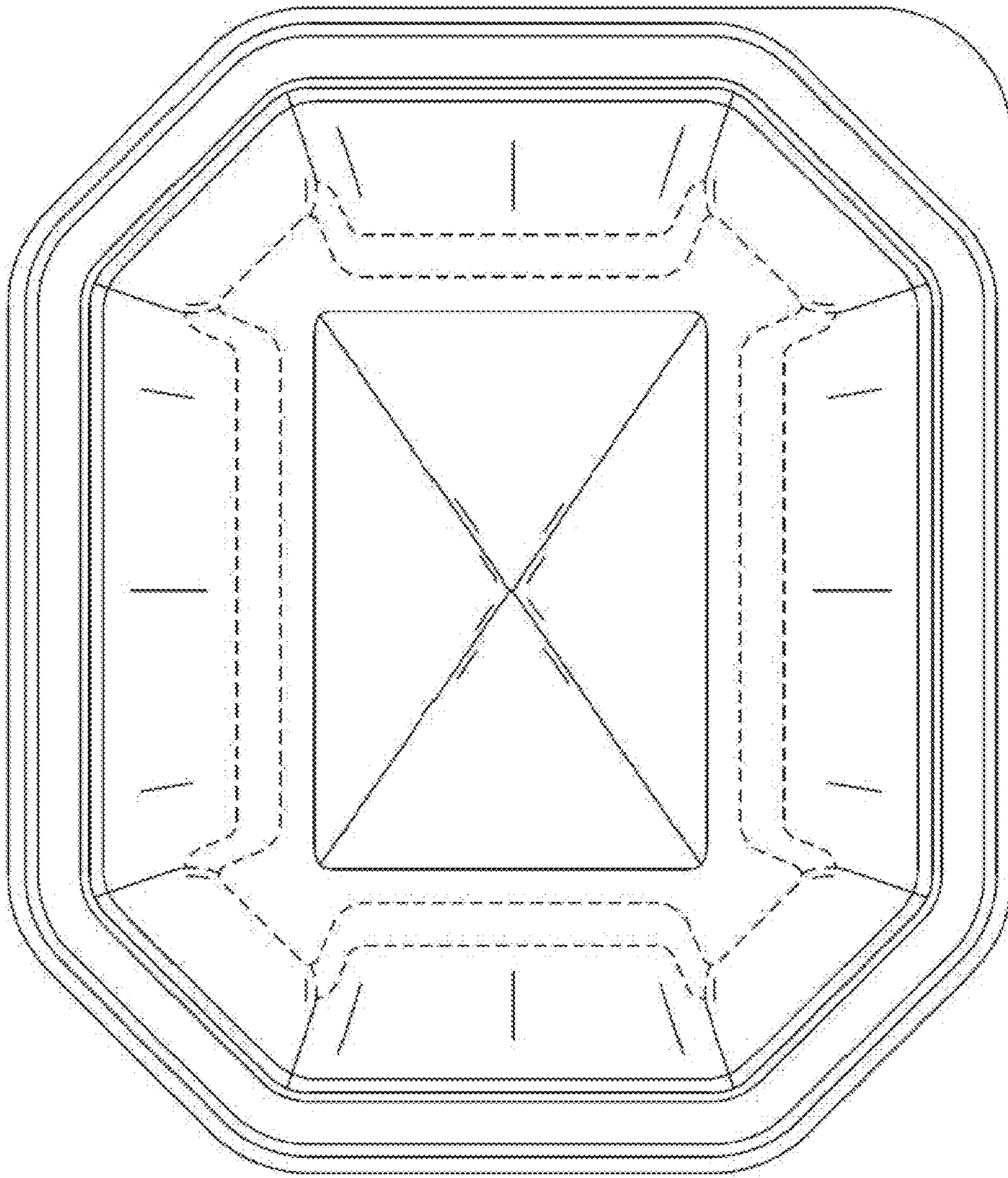


FIG. 2

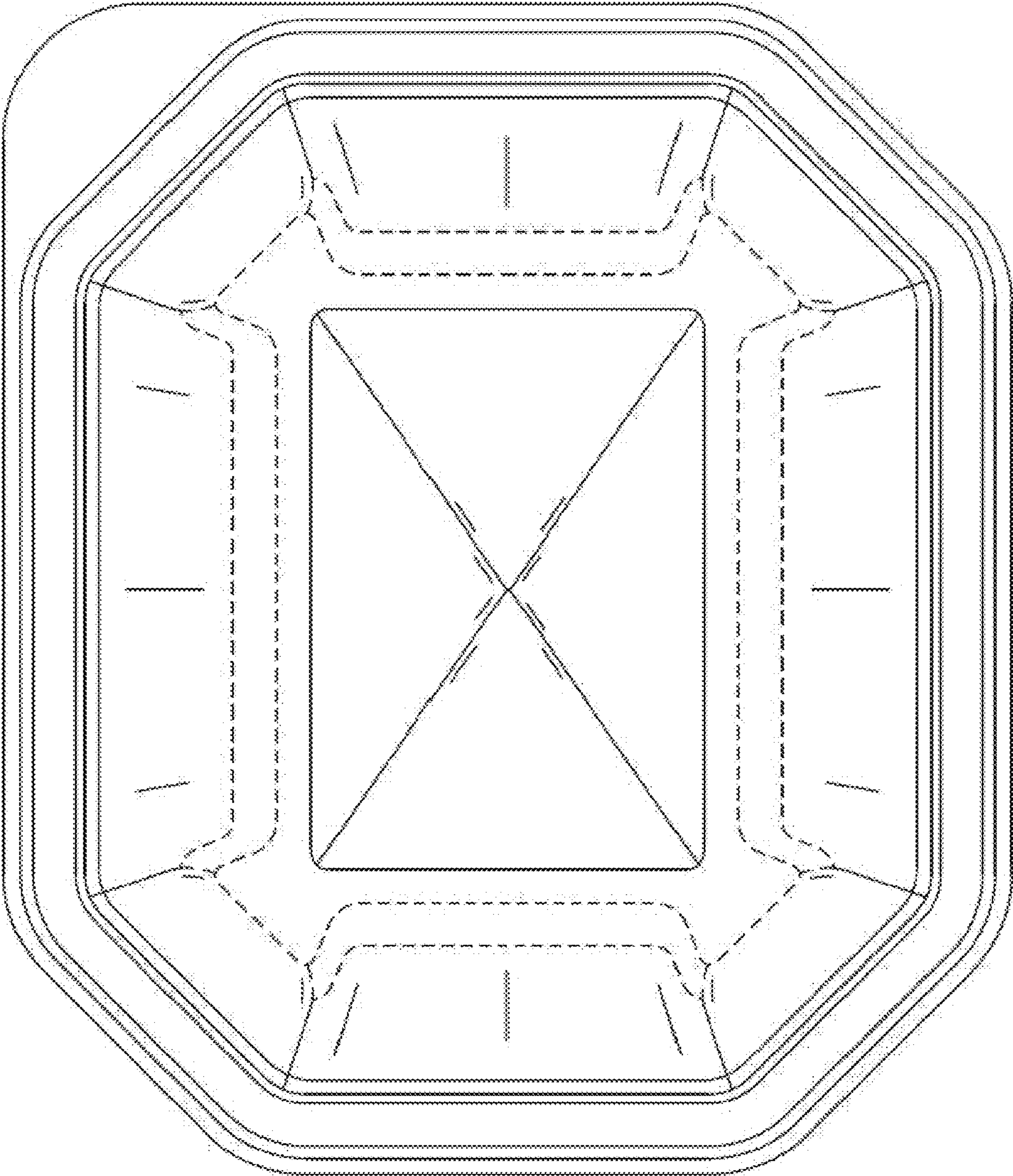


FIG. 3

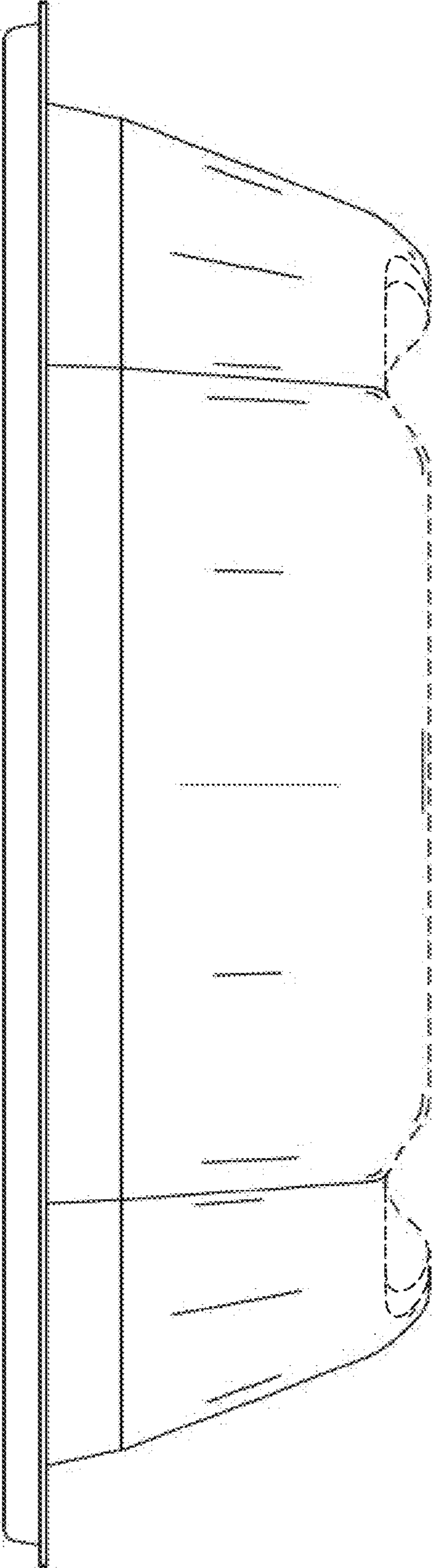


FIG. 4

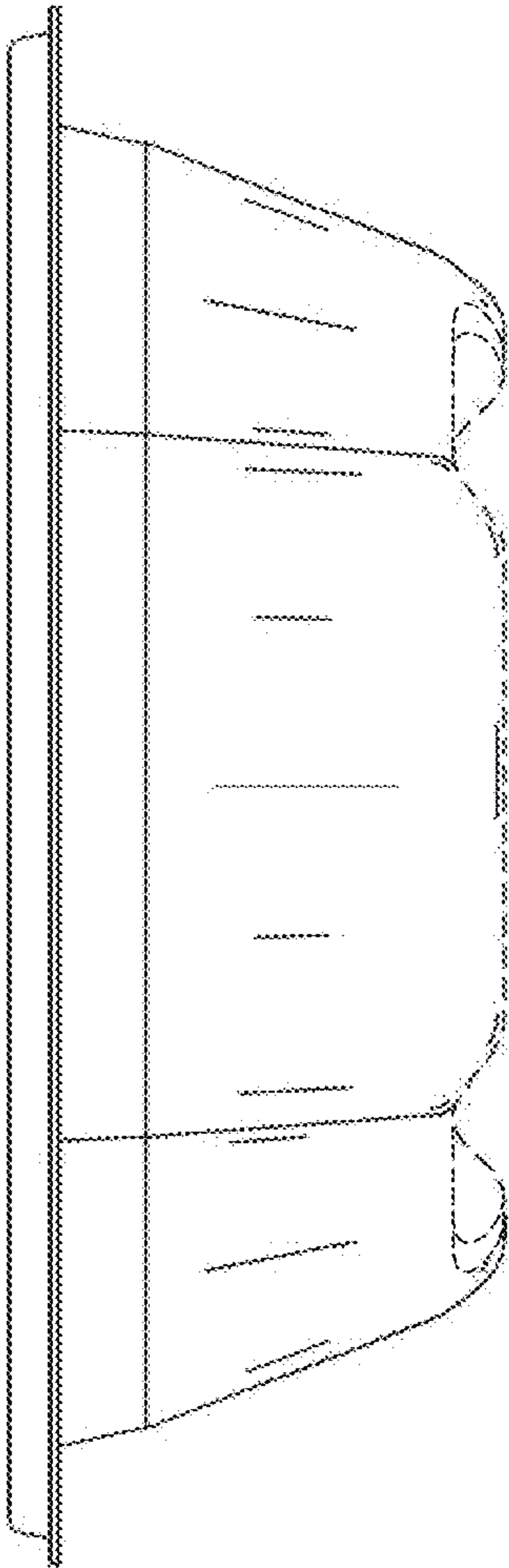


FIG. 5