



US00D797549S

(12) **United States Design Patent** (10) **Patent No.:** **US D797,549 S**
Dew (45) **Date of Patent:** **** Sep. 19, 2017**

(54) **CLAMP**

FOREIGN PATENT DOCUMENTS

(71) Applicant: **Airbus Defence and Space Limited**,
Stevenage, Hertfordshire (GB)

CN 301579257 6/2011
CN 301837829 2/2012

(Continued)

(72) Inventor: **Graham Dew**, Stevenage (GB)

OTHER PUBLICATIONS

(73) Assignee: **AIRBUS DEFENCE AND SPACE LIMITED**, Stevenage, Hertfordshire (GB)

Amazon.com: SharkBite 1/2" PEX Pipe Talon Clamp, website 2016, https://www.amazon.com/SharkBite-Talon-Clamp-10-Pack-FITTINGS/dp/B01GJEFHX0/ref=sr_1_112?ie=UTF8&qid=1480800851&sr=8-112&keywords=pipe+clamps, [site visited Dec. 3, 2016 4:36:33 PM].*

(Continued)

(**) Term: **15 Years**

(21) Appl. No.: **29/547,840**

(22) Filed: **Dec. 8, 2015**

Related U.S. Application Data

Primary Examiner — John Windmuller

Assistant Examiner — John R Yeh

(62) Division of application No. 29/503,401, filed on Sep. 25, 2014.

(74) *Attorney, Agent, or Firm* — Buchanan Ingersoll & Rooney PC

(30) **Foreign Application Priority Data**

Mar. 20, 2014 (EM) 002432567-0002
Mar. 20, 2014 (EM) 002432567-0003
Mar. 20, 2014 (EM) 002432567-0004
Mar. 20, 2014 (EM) 002432567-0005
Mar. 20, 2014 (EM) 002432567-0006
Mar. 20, 2014 (EM) 002432567-0007
Mar. 25, 2014 (EM) 002432567-0001

(57) **CLAIM**

The ornamental design for a clamp, as shown and described.

(51) **LOC (10) Cl.** **08-08**

(52) **U.S. Cl.**
USPC **D8/394; D8/72**

(58) **Field of Classification Search**
USPC D8/394-396, 71-74, 499, 354-355, 380
(Continued)

DESCRIPTION

FIG. 1 is perspective view of a clamp showing my new design.
FIG. 2 is front elevational view thereof.
FIG. 3 is rear elevational view thereof.
FIG. 4 is left side elevational view thereof.
FIG. 5 is right side elevational view thereof.
FIG. 6 is a top plan view thereof; and,
FIG. 7 is a bottom plan view thereof.
The use of broken lines in the drawings illustrate environmental structure or boundaries that form no part of the claimed design.

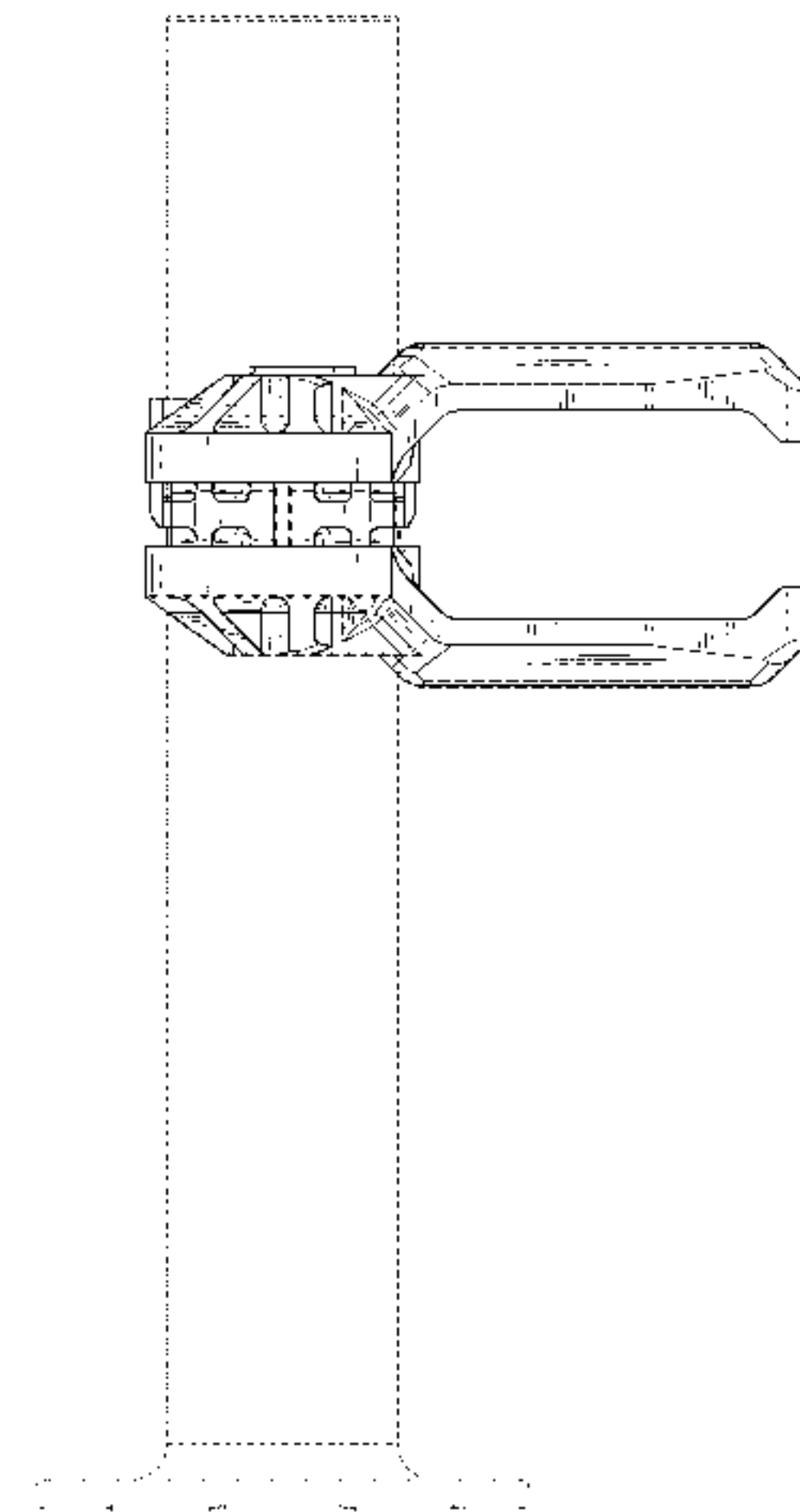
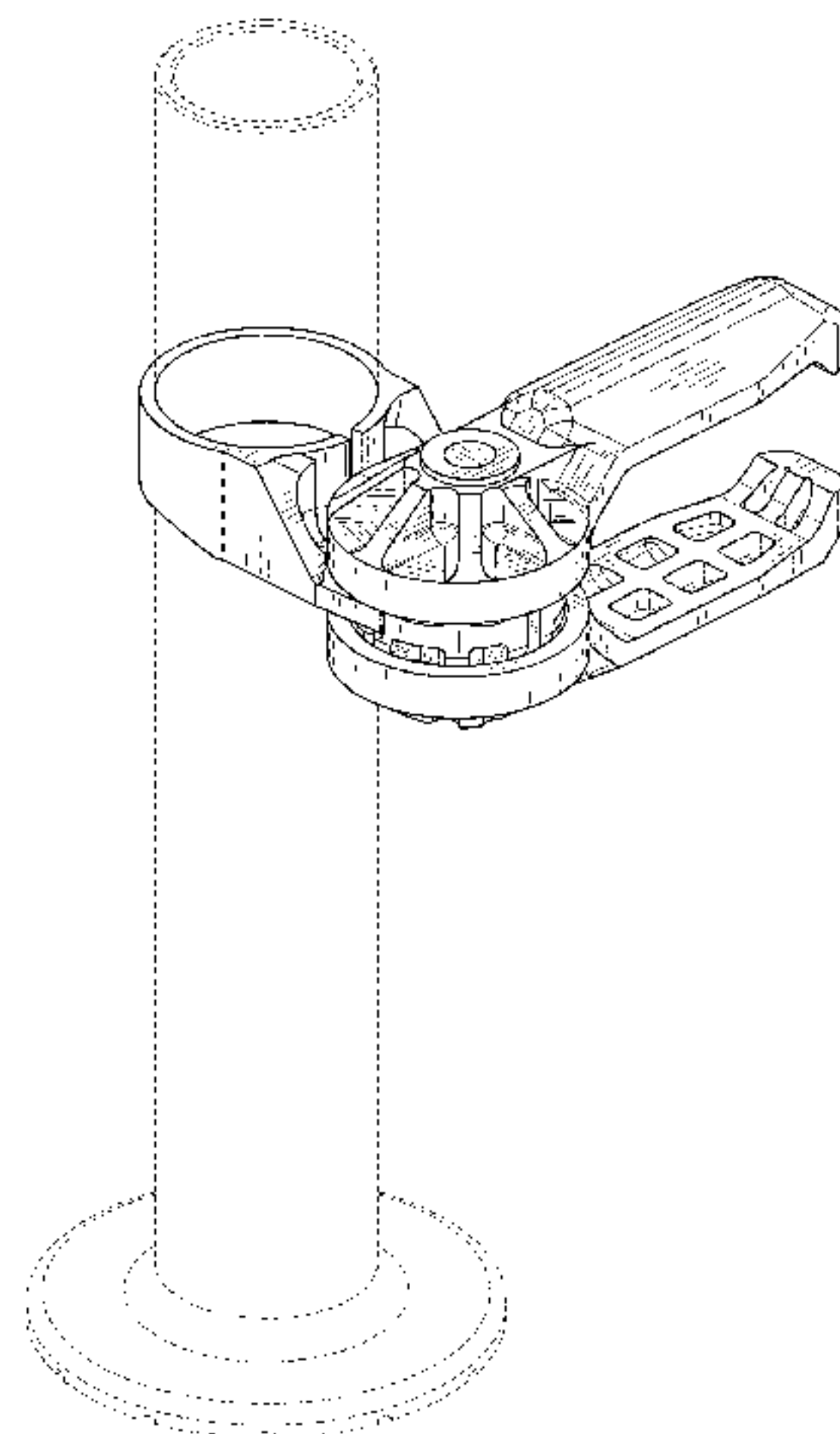
(56) **References Cited**

U.S. PATENT DOCUMENTS

D176,976 S 2/1956 Crook
2,756,789 A * 7/1956 Kraus B25B 5/101
269/249

(Continued)

1 Claim, 6 Drawing Sheets



(58) **Field of Classification Search**
 CPC F16L 3/237; B46D 47/00; B64D 37/005;
 F16B 2/10; A43D 79/00; A41B 3/08
 See application file for complete search history.

(56) **References Cited**

U.S. PATENT DOCUMENTS

D187,286 S	2/1960	Silva	
3,146,982 A	9/1964	Budnick	
D214,992 S	8/1969	Kelch, Jr.	
D217,052 S	3/1970	Jones	
D135,423 S	4/1973	Campbell et al.	
D226,856 S *	5/1973	Leto et al.	D13/149
D231,599 S	5/1974	Rumble	
4,059,872 A	11/1977	Delesandri	
D248,347 S *	7/1978	McCollum	D22/147
D260,476 S	9/1981	Knaus	
D260,790 S	9/1981	Gabriel	
D271,939 S	12/1983	Little	
D274,601 S	7/1984	Helmle	
4,666,116 A	5/1987	Lloyd	
D294,330 S	2/1988	Keck	
D296,983 S	8/1988	Westerlund	
D297,285 S	8/1988	Larsson	
D297,812 S *	9/1988	Anderson	D8/367
D340,018 S	10/1993	Yoder	
D340,942 S *	11/1993	Smith	D15/29
D364,792 S *	12/1995	Yoder	D12/223
5,524,667 A	6/1996	Potter	
D376,974 S	12/1996	Chen	
D381,894 S	8/1997	Lun	
D382,471 S *	8/1997	Neff	D8/394
D386,397 S *	11/1997	Adriaenssens	D8/396
D435,208 S *	12/2000	Miller	D8/72
D470,400 S	2/2003	Fraser et al.	
D479,787 S *	9/2003	Degen	D8/72
D544,328 S	6/2007	Ranieri	

D545,183 S *	6/2007	French	D8/394
D553,485 S *	10/2007	Hall	D8/396
D583,640 S *	12/2008	Gilham	D8/73
D605,123 S *	12/2009	Bizzell	D13/139.1
D605,125 S	12/2009	Bizzell	
D664,030 S *	7/2012	Kleiber, Jr.	D8/394
D664,031 S	7/2012	Kleiber, Jr.	
D704,042 S *	5/2014	Gledhill	D8/396
D722,486 S *	2/2015	Wang	D8/355
D734,434 S *	7/2015	Witkowski	D23/249
D736,073 S	8/2015	Eriksson	

FOREIGN PATENT DOCUMENTS

JP	D114367	*	8/2002
JP	D1443438		6/2012

OTHER PUBLICATIONS

Surveying Equipment | Sokkia 8-ft Pro-Series Prism Pole, website 2016, <http://www.baselineequipment.com/sokkia-claw-clamp-cradle-combos>, [site visited Dec. 3, 2016 4:42:15 PM].*

Crab Claw Style Rotary Handle Camera Tripod Monopod Clamp, website copyright 2015, online, www.dinowish.com/stores/buybay004/crab-claw-style-rotary-handle-camera-tripod-monopod-clamp-black-p-3866.html, [site visited Aug. 13, 2015 7:27:48 PM].

GUIL Escenarios, Tarimas, Torres, Truss, Stages, Lifts, Barriers, google pub date Dec. 8, 2009, online, <http://www.guil.es/en/productos/producto.php?submenu=10&categoria=68&id=396>, [site visited Jun. 22, 2015 4:13:46 PM].

Amazon.com: ChargerCity Dedicated 360° Swivel Adjustment Apple iPad Mini Holder, review date Dec. 11, 2013, online, http://www.amazon.com/ChargerCity-Adjustment-Connection-Adjustable-Microphone/dp/B00DR1RZLG/ref=sr_1_6?ie=UTF8&qid=1439505853&sr=8-6&keywords=pole+mounted+clamp, [site visited Aug. 13, 2015 6:45:53 PM].

* cited by examiner

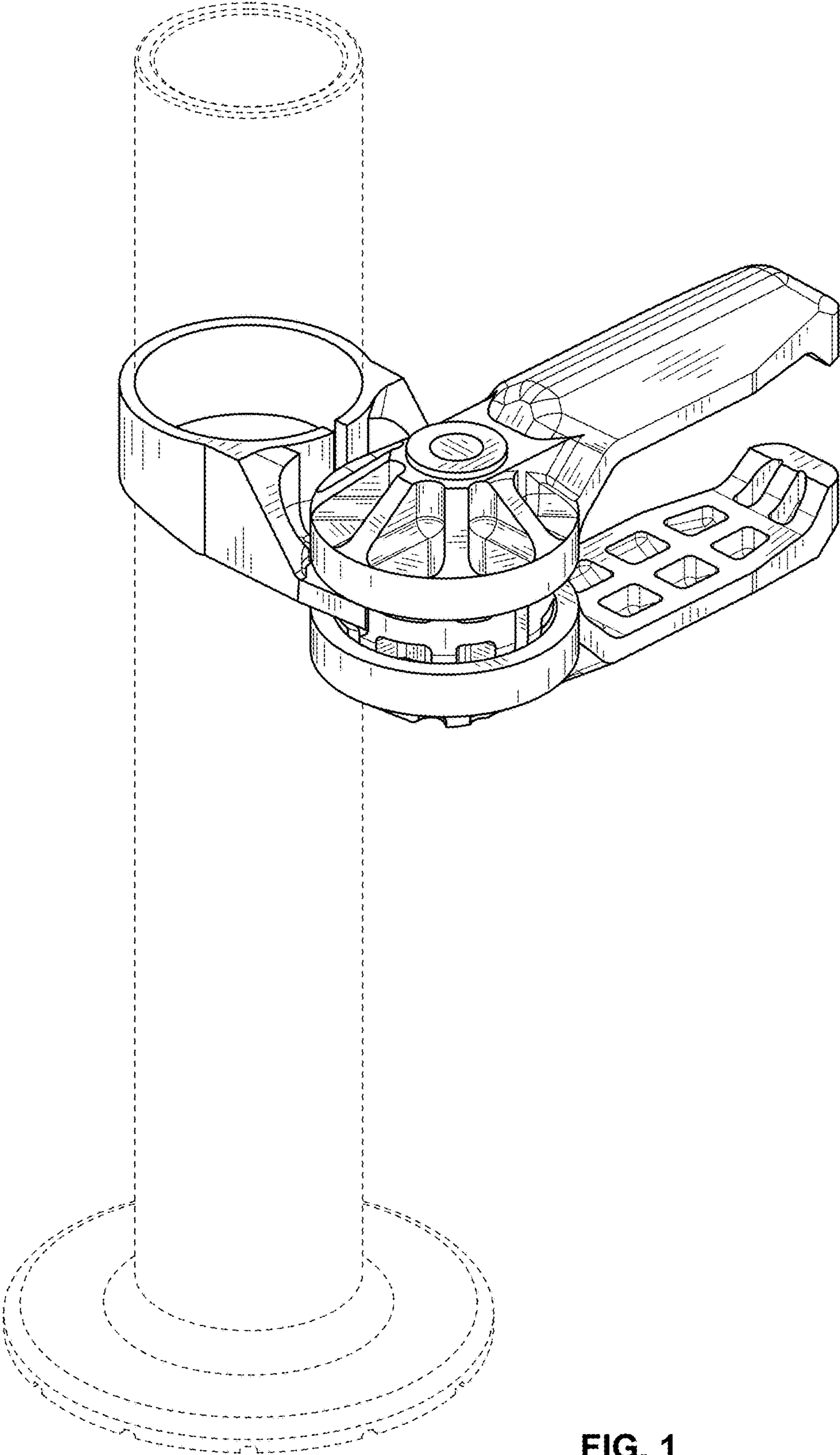


FIG. 1

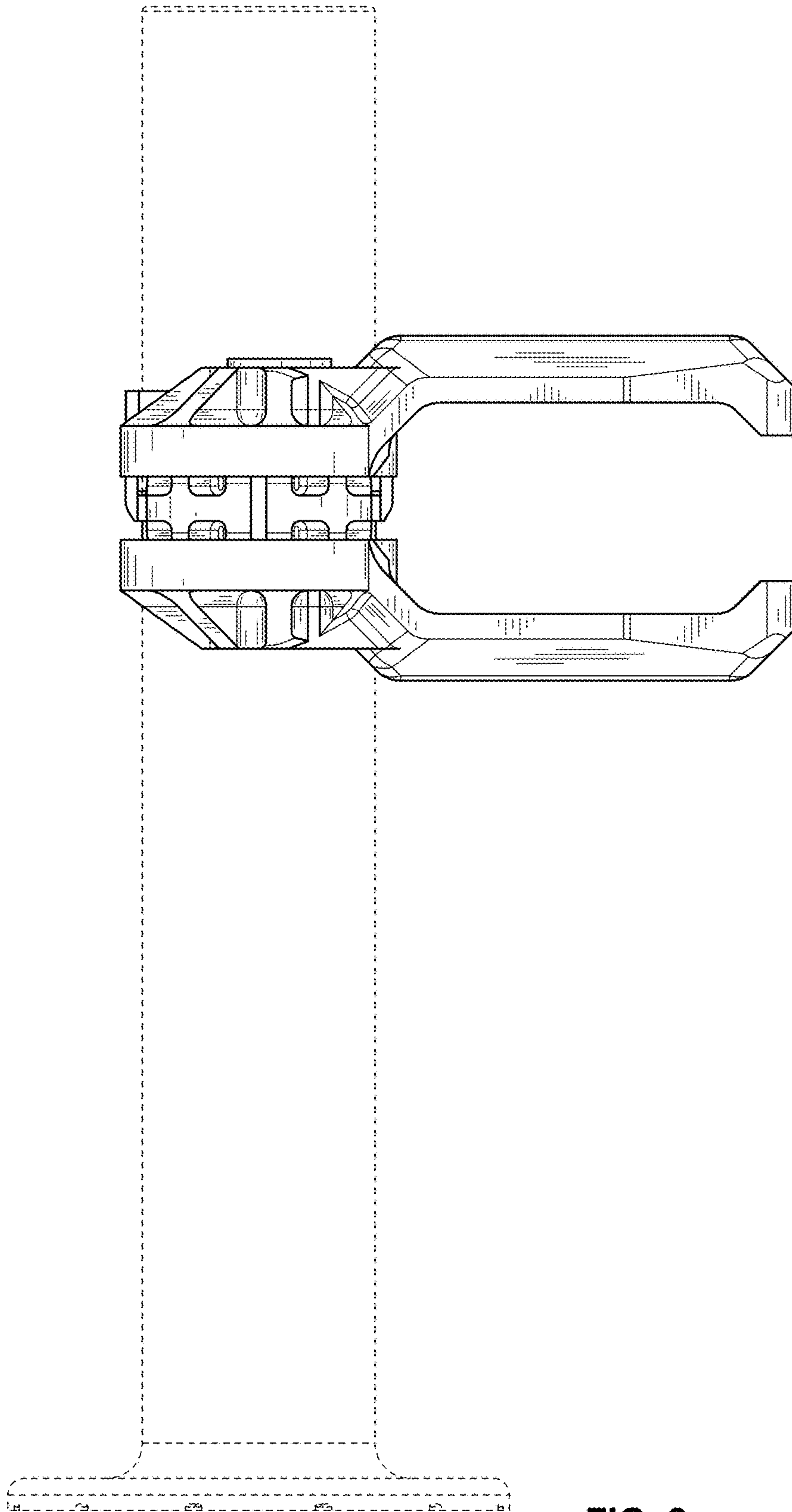


FIG. 2

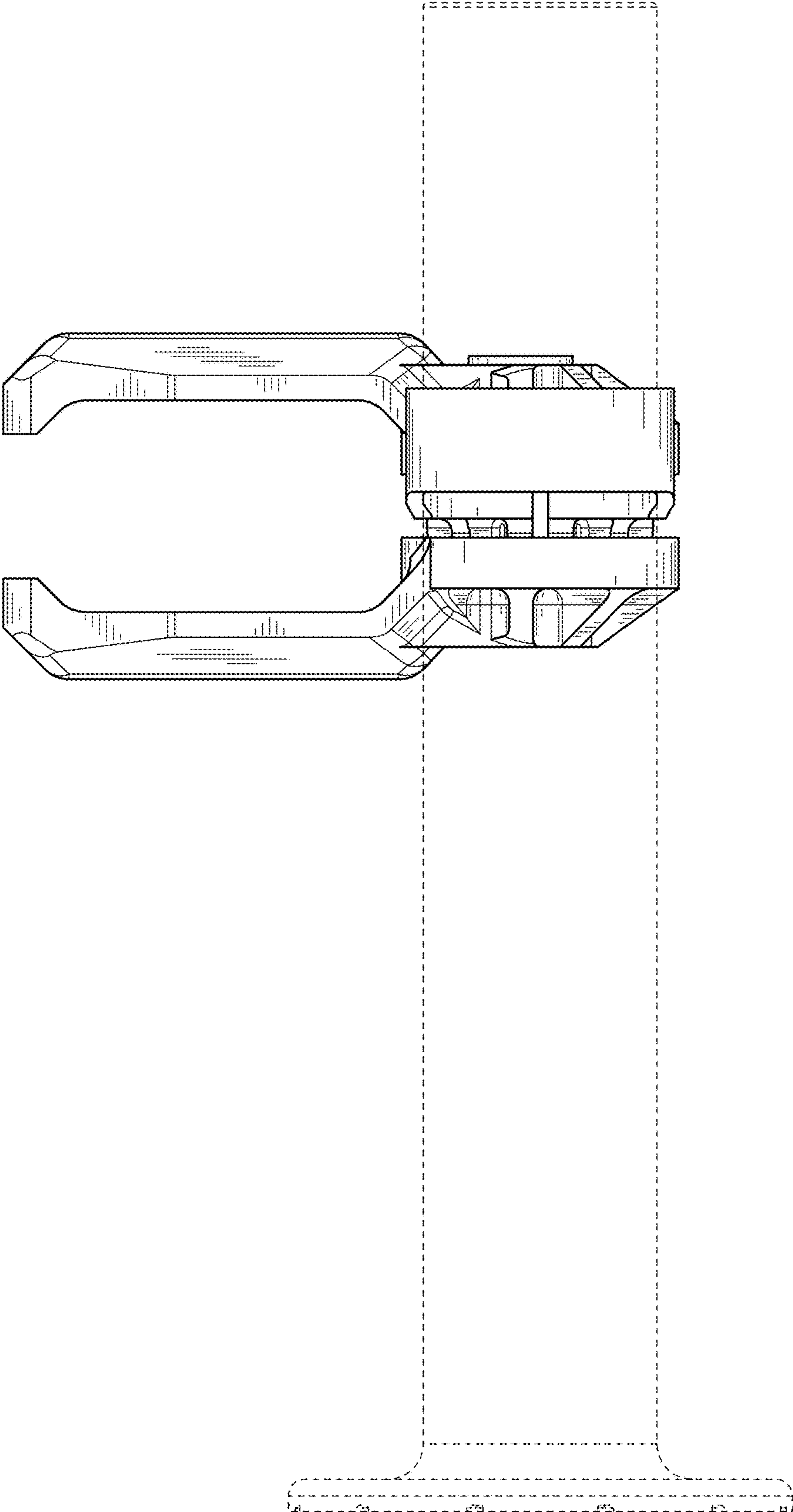


FIG. 3

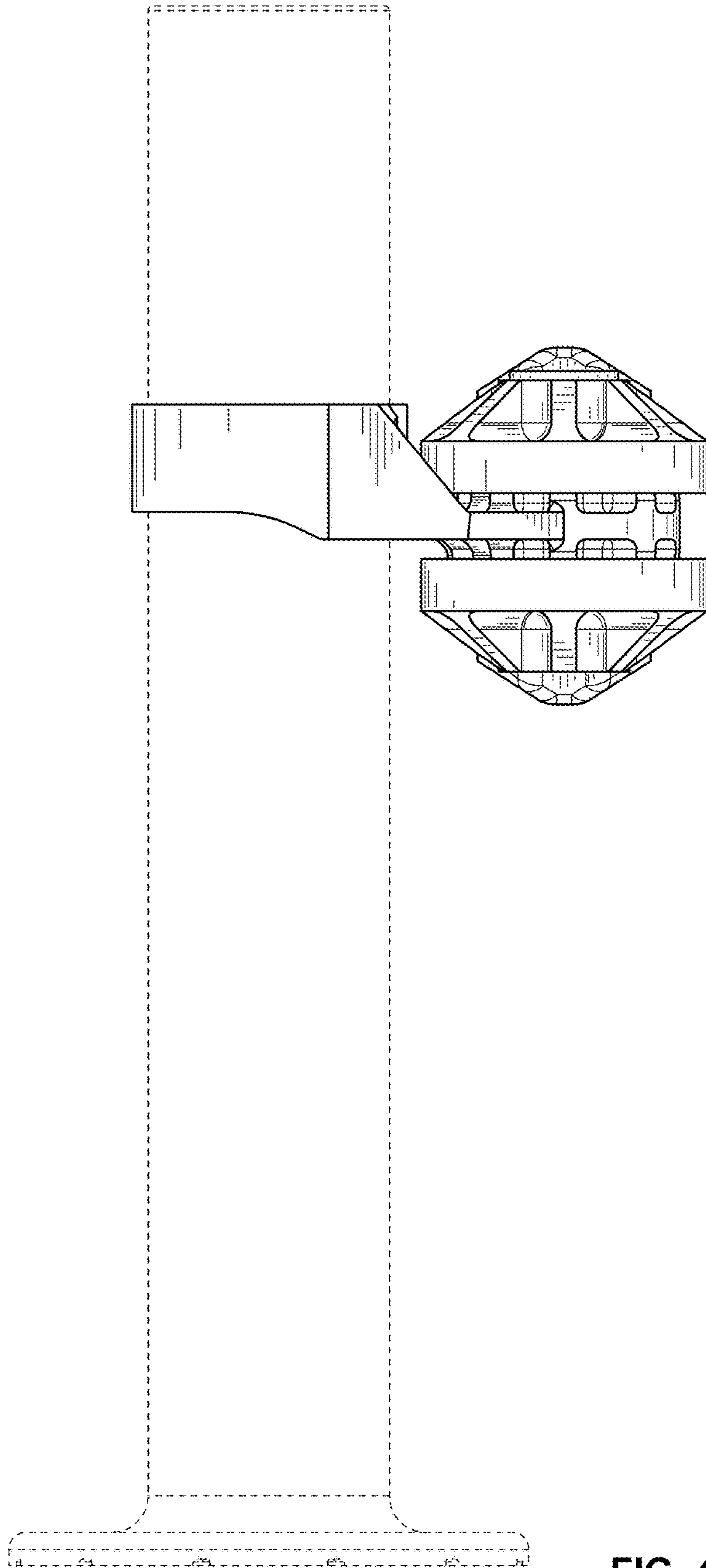


FIG. 4

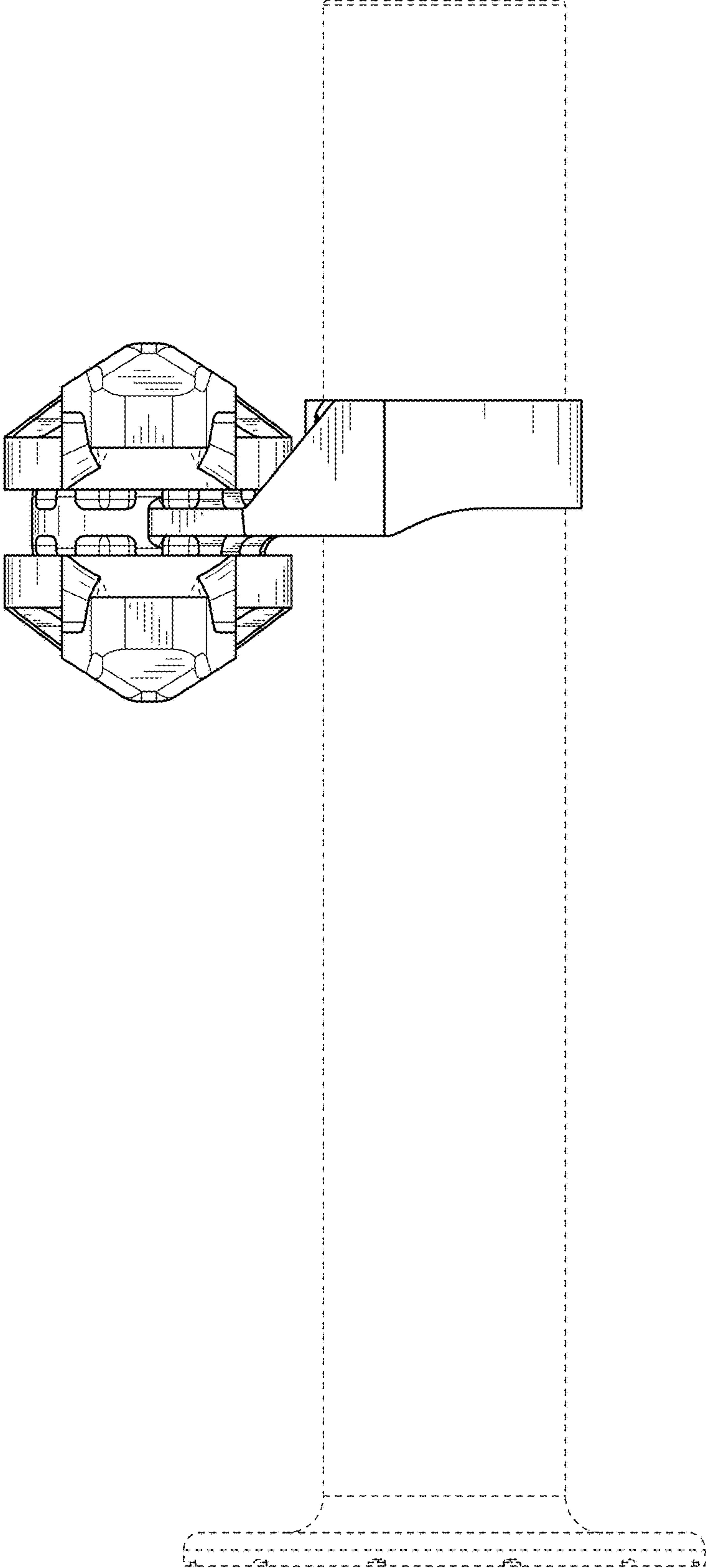


FIG. 5

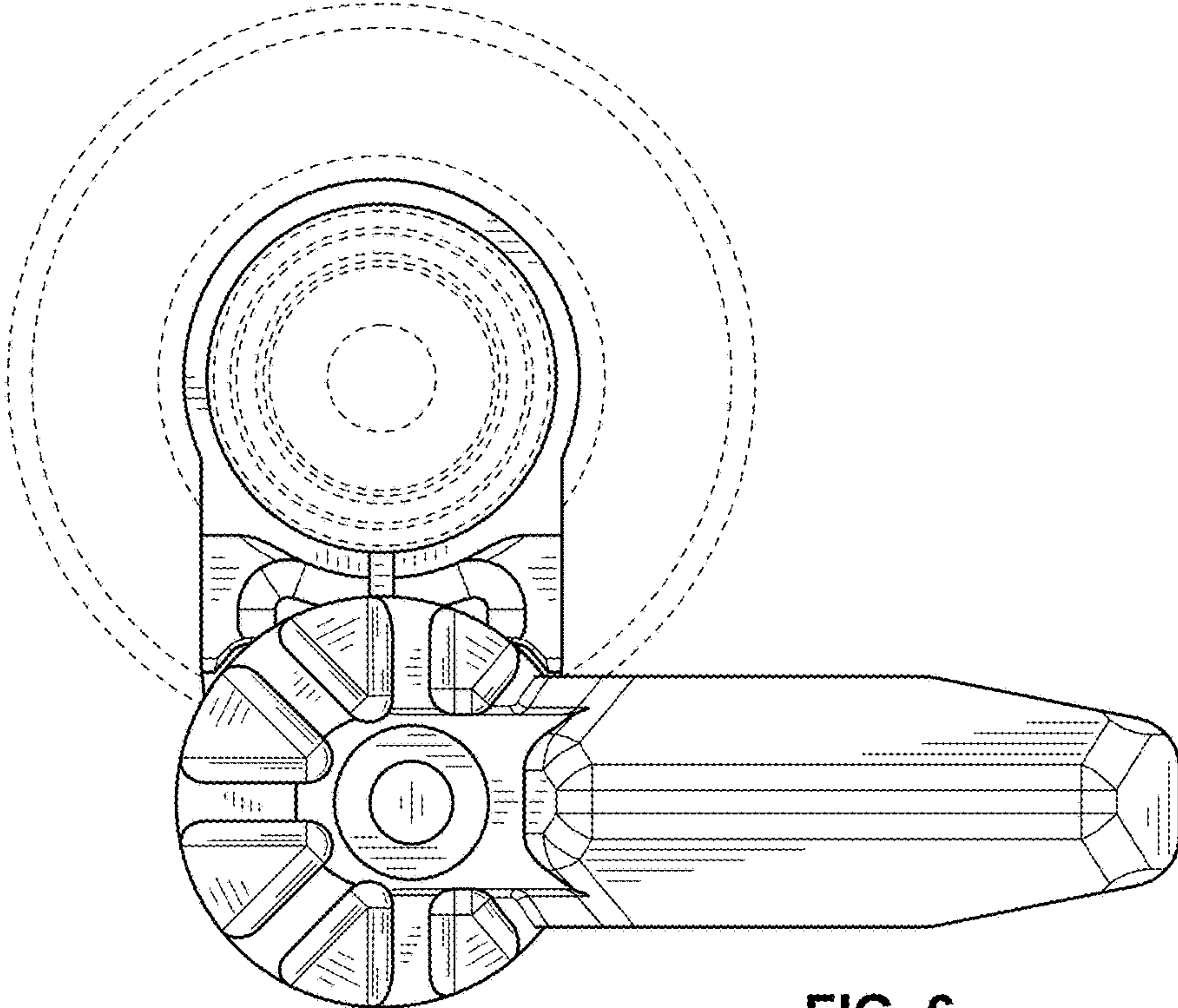


FIG. 6

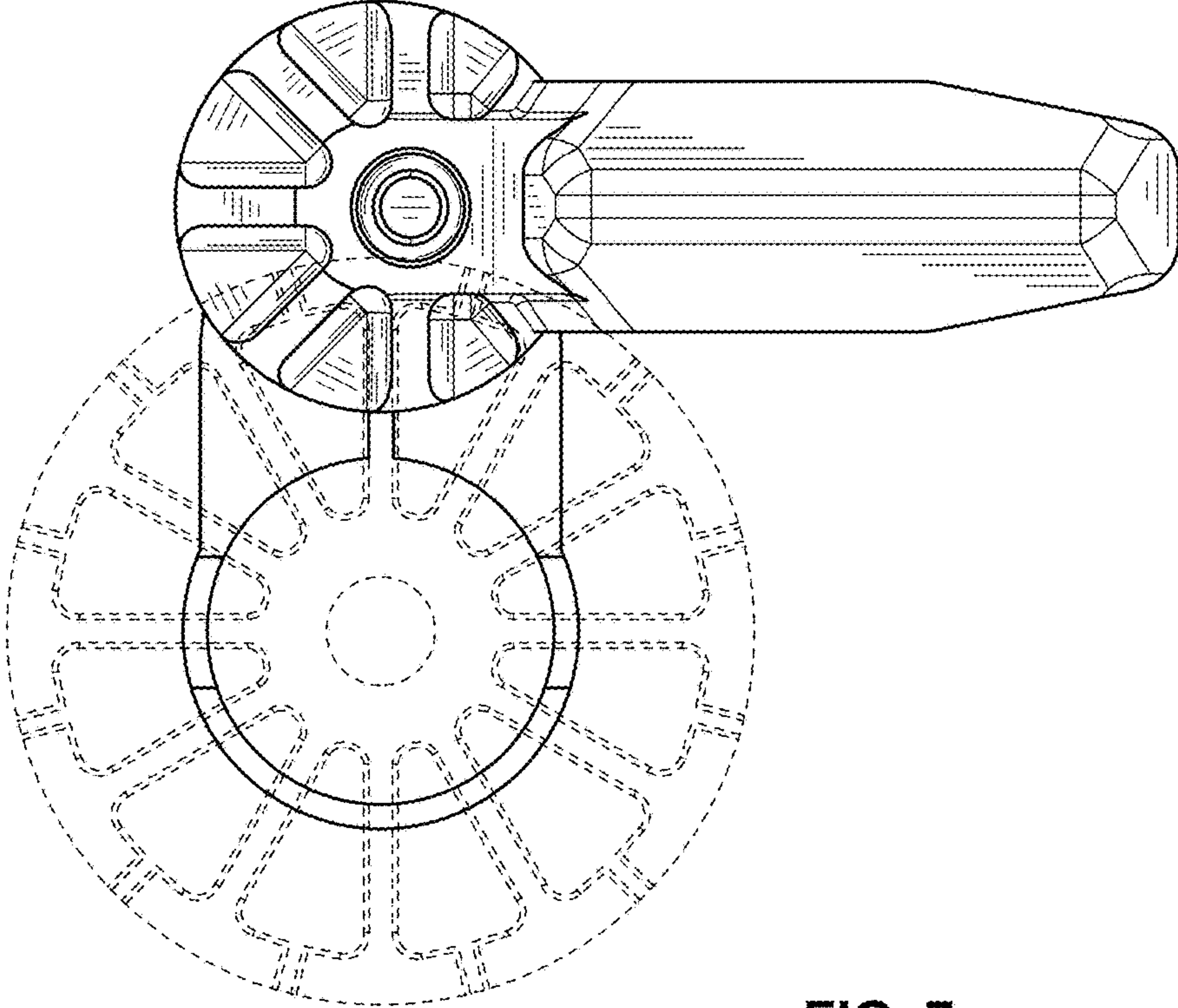


FIG. 7