



US00D797547S

(12) **United States Design Patent** (10) **Patent No.:** **US D797,547 S**  
**Lai et al.** (45) **Date of Patent:** **\*\* Sep. 19, 2017**

(54) **ROTATING DEVICE FOR ARMREST**

(71) Applicants: **Yu-Shan Lai**, Taibao (TW);  
**Yen-Chuan Lai**, Taibao (TW)

(72) Inventors: **Yu-Shan Lai**, Taibao (TW);  
**Yen-Chuan Lai**, Taibao (TW)

(\*\*) Term: **15 Years**

(21) Appl. No.: **29/532,305**

(22) Filed: **Jul. 6, 2015**

(51) **LOC (10) Cl.** ..... **08-08**

(52) **U.S. Cl.**  
USPC ..... **D8/382**

(58) **Field of Classification Search**  
USPC ..... D8/349, 363, 374, 382, 499, 394, 398;  
D6/379, 716.1, 716.2, 716.3, 716.7, 702  
CPC .. A47C 7/54; A47C 7/543; A47C 1/03; A47C  
7/546; A47C 1/022  
See application file for complete search history.

(56) **References Cited**

**U.S. PATENT DOCUMENTS**

D537,280 S *	2/2007	Cai	.....	D6/366
D596,481 S *	7/2009	Yamamoto	.....	D8/374
D702,470 S *	4/2014	Lai	.....	D6/716.2
D757,520 S *	5/2016	Pratt	.....	D8/349
2002/0070598 A1 *	6/2002	Perl	.....	A47C 1/03 297/411.35

2007/0007810 A1 *	1/2007	Wu	.....	A47C 1/03 297/411.37
2009/0195045 A1 *	8/2009	Lai	.....	A47C 1/03 297/411.35
2017/0007024 A1 *	1/2017	Lai	.....	B60N 2/4633

\* cited by examiner

*Primary Examiner* — Sandra Snapp  
*Assistant Examiner* — Ieisha Price  
(74) *Attorney, Agent, or Firm* — Alan D. Kamrath;  
Kamrath IP Lawfirm, P.A.

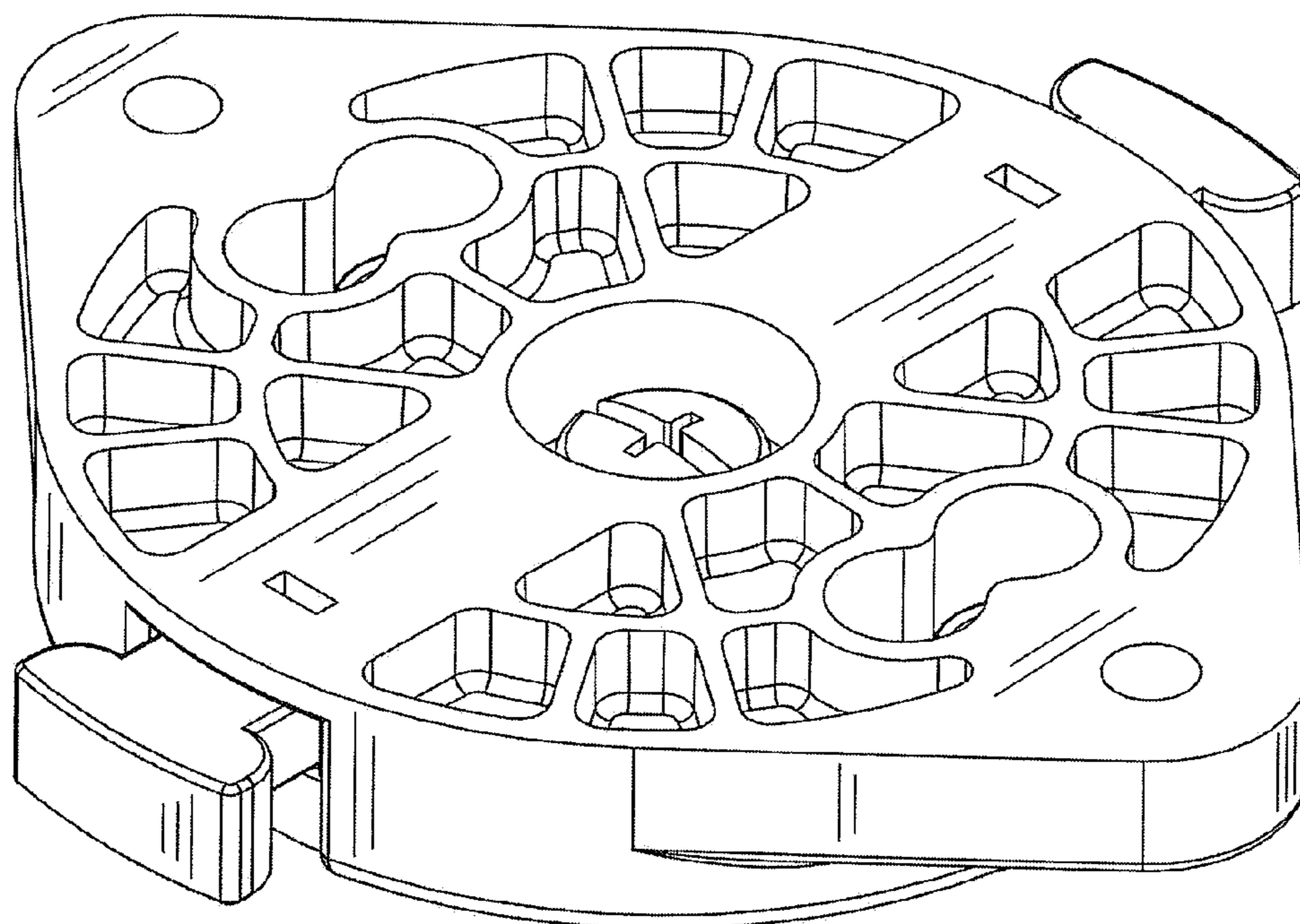
(57) **CLAIM**

The ornamental design for a rotating device for armrest, as shown and described.

**DESCRIPTION**

FIG. 1 is a perspective view of a rotating device for armrest showing our new design;  
FIG. 2 is a front elevational view thereof;  
FIG. 3 is a rear elevational view thereof;  
FIG. 4 is a left side elevational view thereof;  
FIG. 5 is a right side elevational view thereof;  
FIG. 6 is a top plan view thereof; and,  
FIG. 7 is a bottom plan view thereof.  
The broken lines in the drawings illustrate portions of the rotating device for armrest which form no part of the claimed design.

**1 Claim, 5 Drawing Sheets**



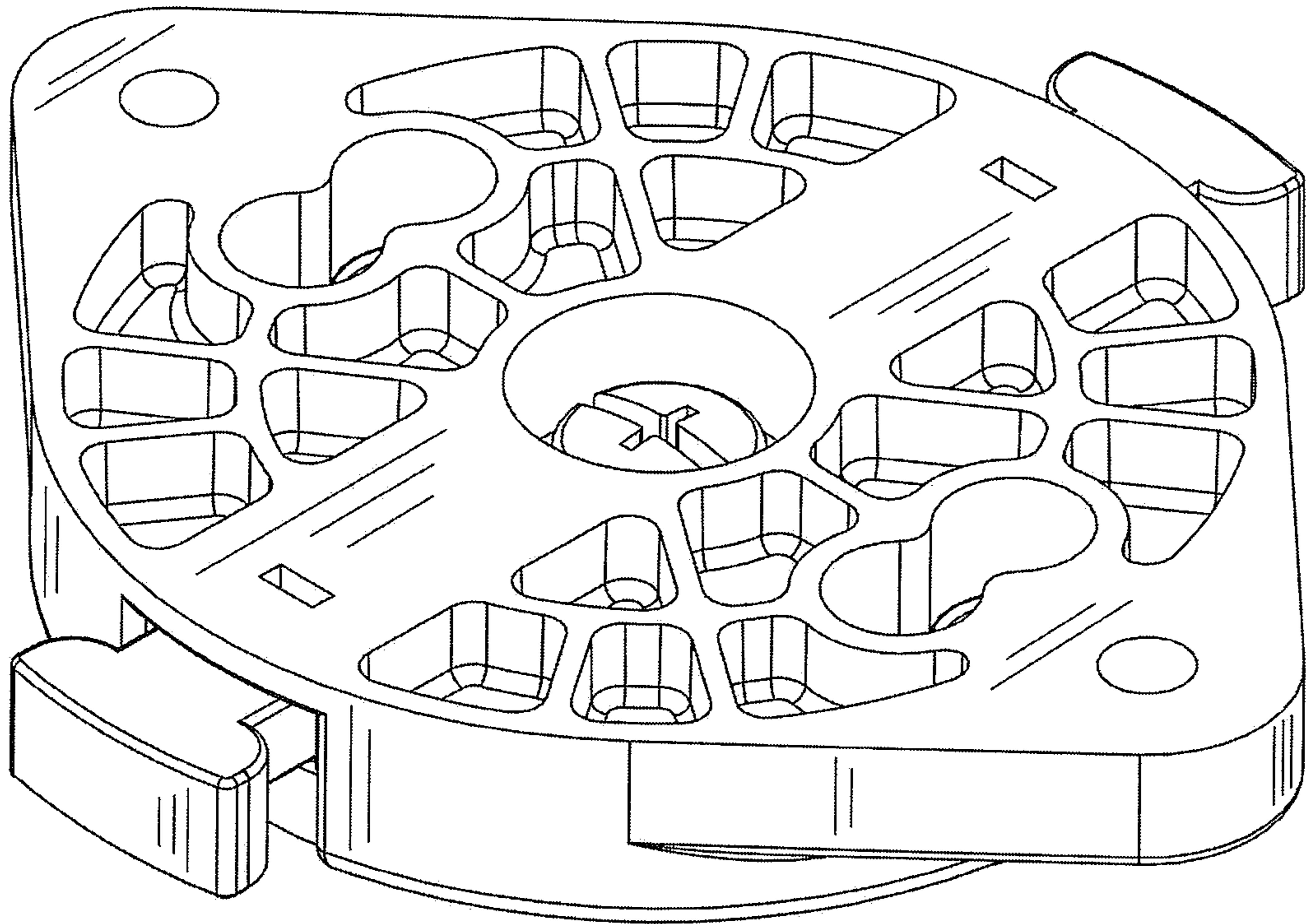


FIG. 1

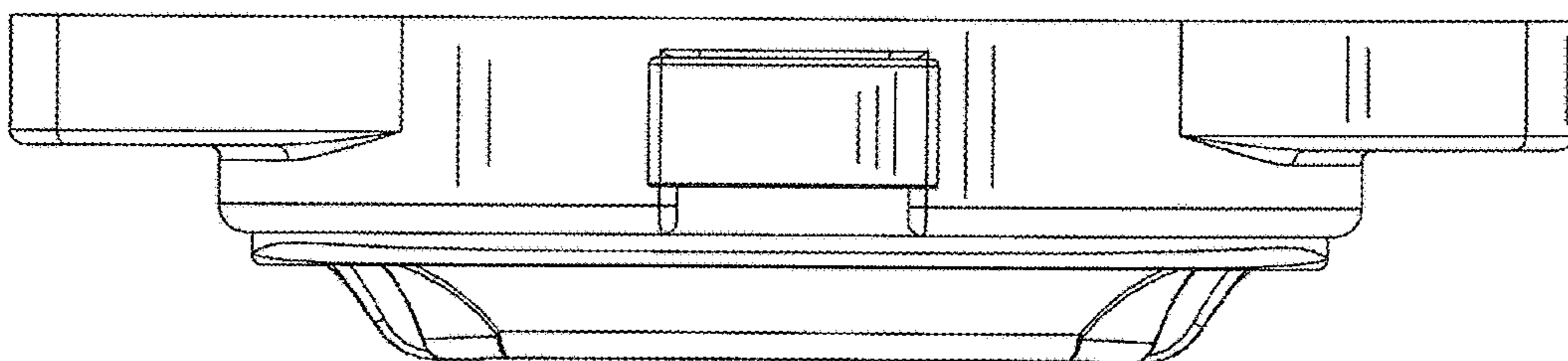


FIG. 2

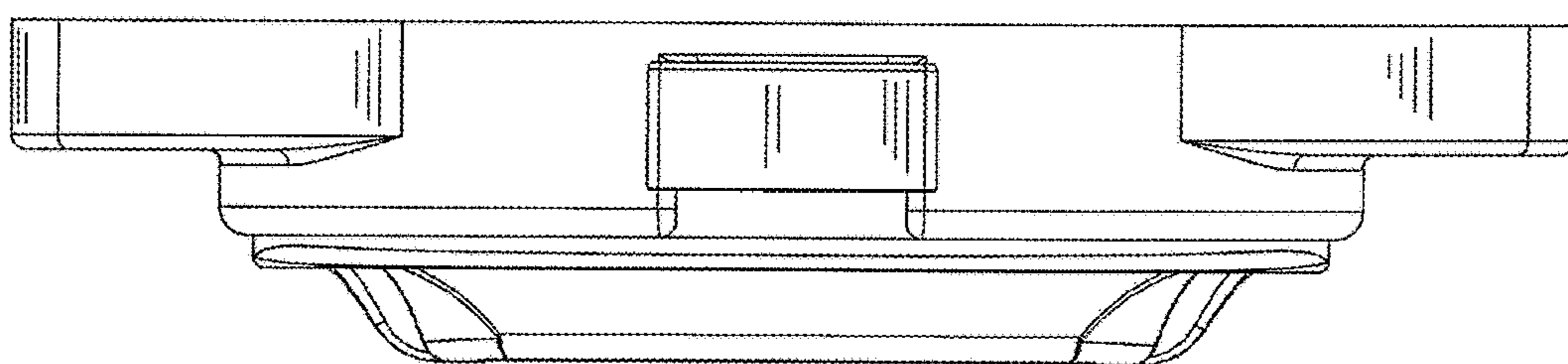


FIG. 3

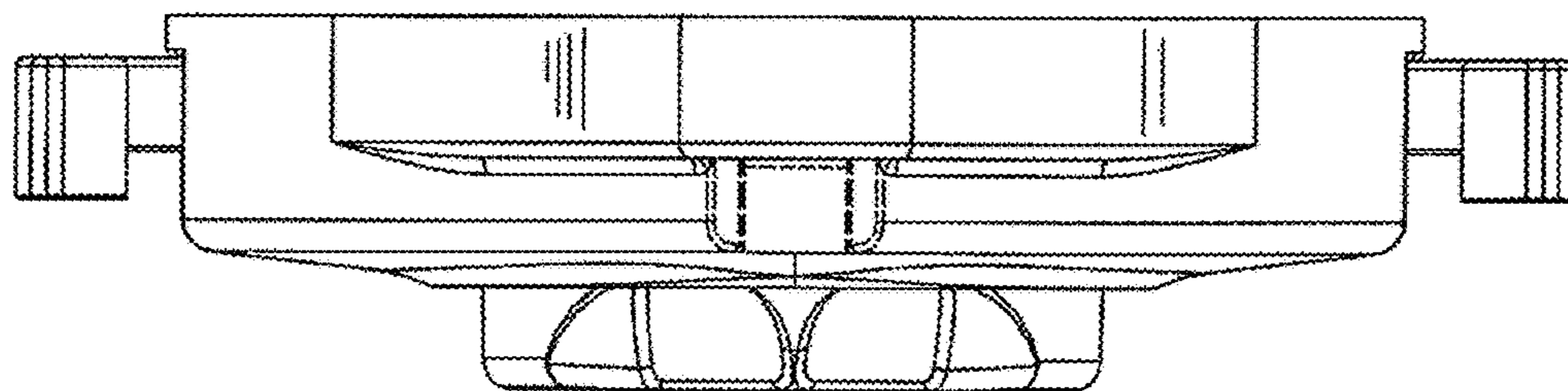


FIG. 4

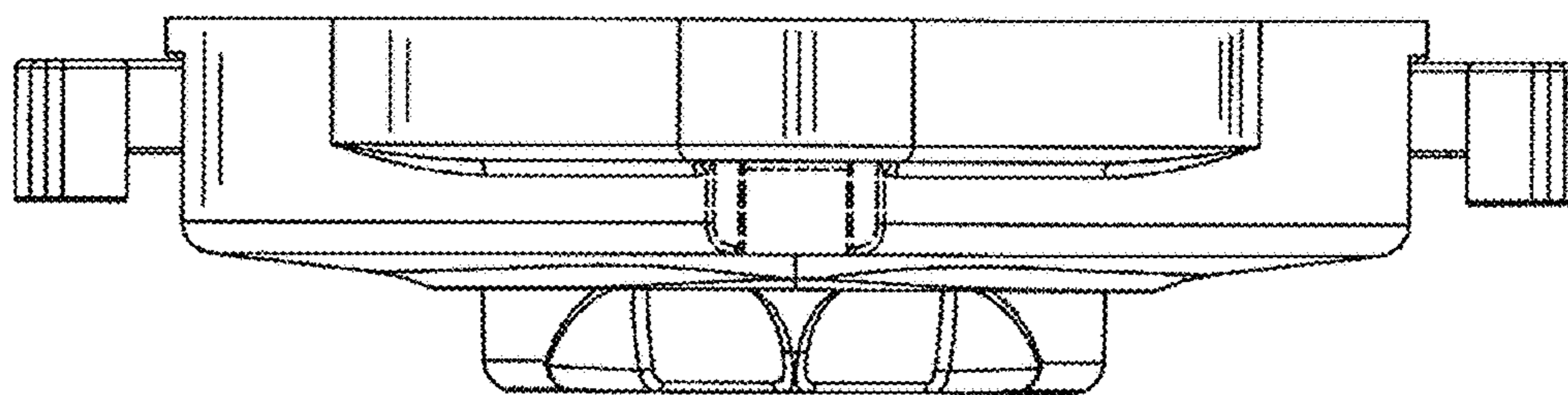


FIG. 5

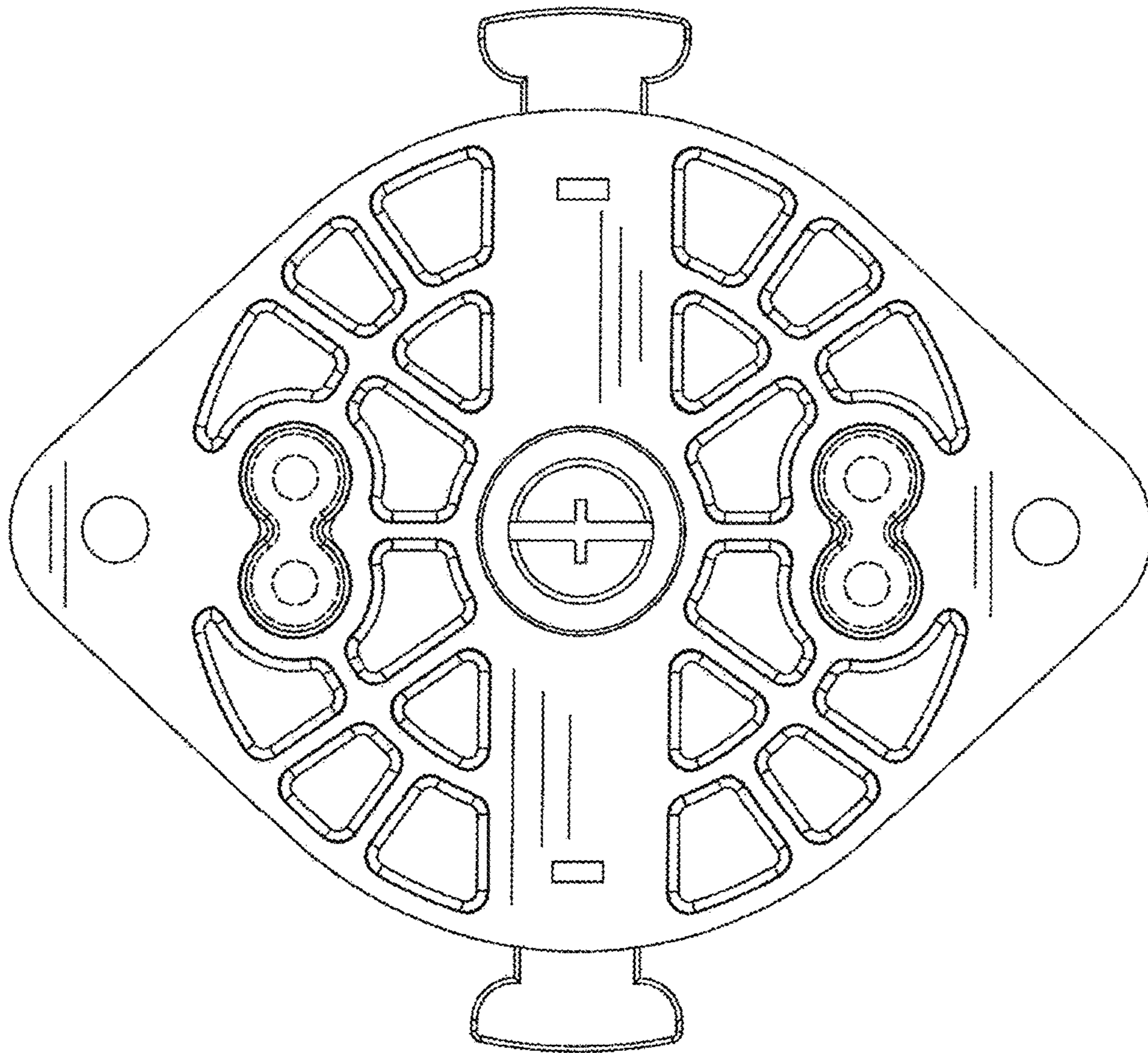


FIG. 6

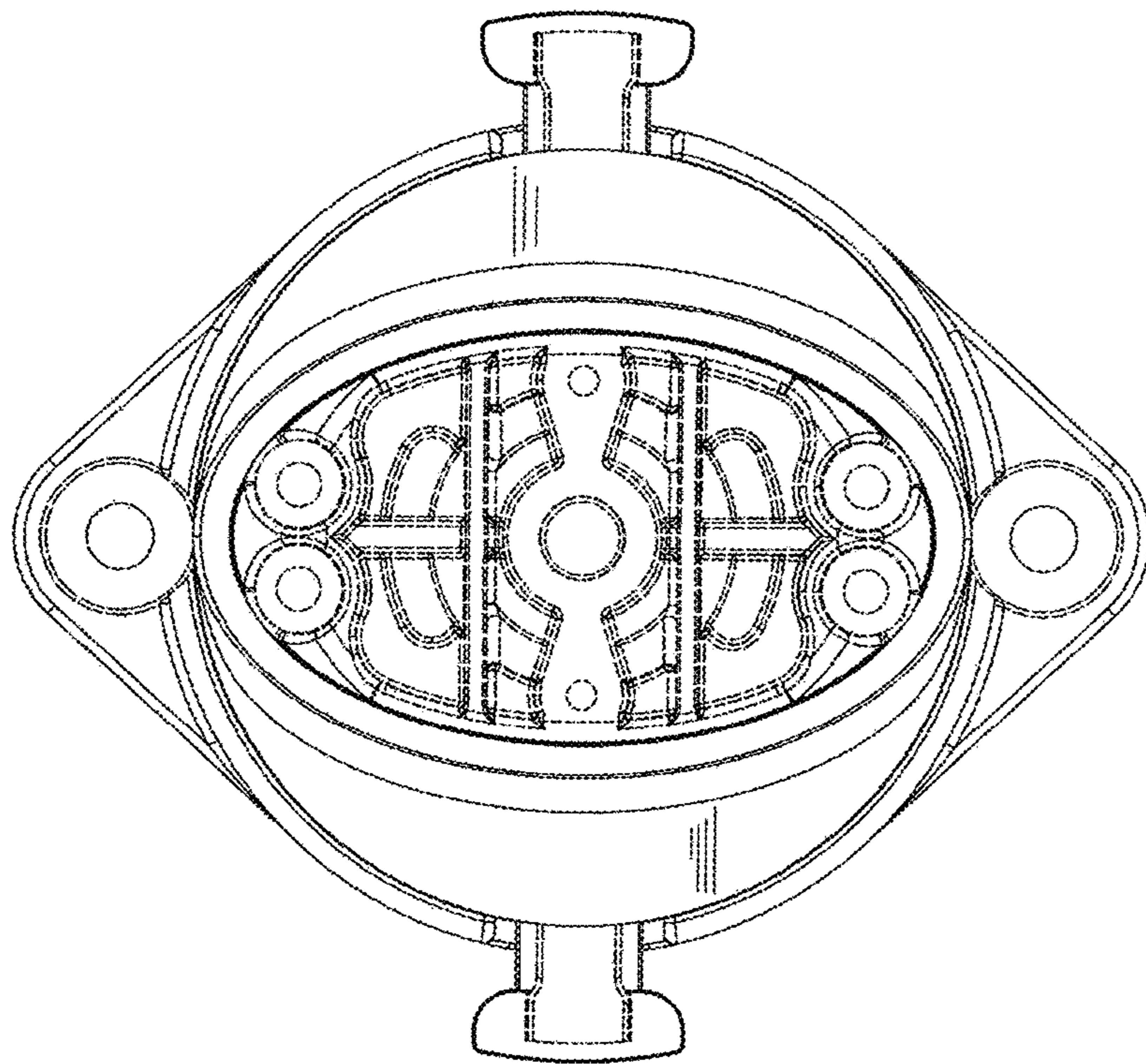


FIG. 7