



US00D797546S

(12) **United States Design Patent** (10) **Patent No.:** **US D797,546 S**
Saideh (45) **Date of Patent:** **** Sep. 19, 2017**

(54) **DEVICE FOR APPLYING PROTECTIVE COVER TO PHONE**

FOREIGN PATENT DOCUMENTS

(71) Applicant: **Zeikos Inc.**, Edison, NJ (US)

CN 104760273 A 7/2015
EP 2891552 A1 7/2015
WO 2015101770 A1 7/2015

(72) Inventor: **Jack Saideh**, Edison, NJ (US)

(73) Assignee: **Zeikos Inc.**, Edison, NJ (US)

OTHER PUBLICATIONS

(**) Term: **15 Years**

Amazon Tzumi ProGlass 5 5C 5S; http://www.amazon.com/iphone%20screen%20protector%20applicator%20bubble%20free/dp/B00OAX0L16/ref=sr_1_2?s=wireless&ie=UTF8&qid=1458311432&sr=1%E2%80%A6 accessed Mar. 18, 2016.

(21) Appl. No.: **29/557,604**

(Continued)

(22) Filed: **Mar. 10, 2016**

(51) **LOC (10) Cl.** **08-05**

Primary Examiner — Lakiya Rogers

(52) **U.S. Cl.**

Assistant Examiner — Harold E Blackwell, II

USPC **D8/354**

(74) *Attorney, Agent, or Firm* — Amster, Rothstein & Ebenstein LLP

(58) **Field of Classification Search**

USPC D8/354; D6/540, 553, 567; 455/575.8; D14/253; 156/249

(57) **CLAIM**

CPC H05K 13/00; H05K 13/0015
See application file for complete search history.

The ornamental design for a device for applying protective cover to phone, as shown and described.

(56) **References Cited**

DESCRIPTION

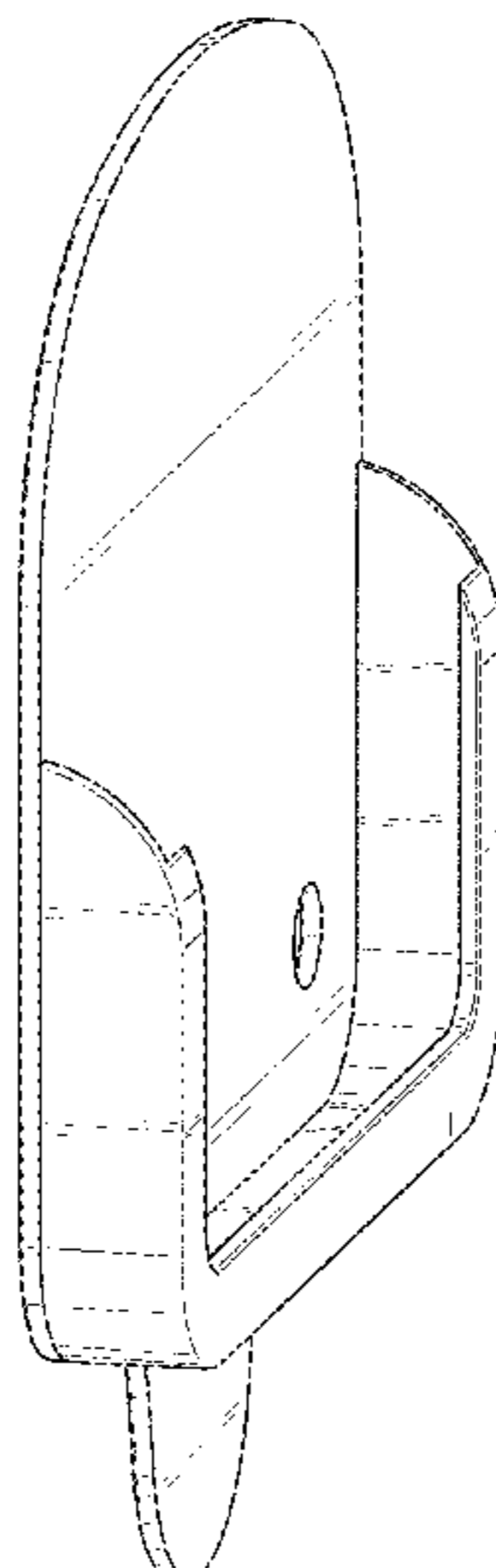
U.S. PATENT DOCUMENTS

D280,466 S * 9/1985 Seltzer D12/422
D369,465 S * 5/1996 Scheid D3/218
D419,350 S * 1/2000 Baron D6/553
D426,041 S * 5/2000 Boghossian D34/6
D504,767 S * 5/2005 DiMarchi D3/208
D505,257 S * 5/2005 DiMarchi D3/208
D507,871 S * 8/2005 DiMarchi D3/215
8,675,353 B1 3/2014 Alonzo et al.
D710,340 S * 8/2014 Wengreen D14/238.1
D710,363 S * 8/2014 Wengreen D14/432
D715,284 S * 10/2014 Iwamoto D12/415
D727,143 S * 4/2015 Gomez D14/251
D734,305 S * 7/2015 Wengreen D14/238
D749,549 S * 2/2016 Wengreen D14/238
D749,597 S * 2/2016 Wengreen D14/447
D763,835 S * 8/2016 Wengreen D14/238.1
D765,648 S * 9/2016 Starkenburg D12/415

FIG. 1 is a perspective view of an exemplary embodiment of a device for applying protective cover to phone showing my new design;
FIG. 2 is a front view of the device for applying protective cover to phone of FIG. 1;
FIG. 3 is a rear view of the device for applying protective cover to phone of FIG. 1;
FIG. 4 is a right side view of the device for applying protective cover to phone of FIG. 1;
FIG. 5 is a left side view of the device for applying protective cover to phone of FIG. 1;
FIG. 6 is a top plan view of the device for applying protective cover to phone of FIG. 1; and,
FIG. 7 is a bottom plan view of the device for applying protective cover to phone of FIG. 1.

(Continued)

1 Claim, 7 Drawing Sheets



(56)

References Cited

U.S. PATENT DOCUMENTS

D783,024 S * 4/2017 Conley D14/432
2012/0110868 A1 5/2012 Abbondanzio
2012/0211168 A1 8/2012 Patel et al.
2013/0020005 A1 1/2013 Koblick et al.
2013/0020020 A1 1/2013 Liu
2014/0061406 A1* 3/2014 Chevalier F16M 11/08
248/205.1
2014/0130971 A1 5/2014 Wu et al.
2015/0107767 A1* 4/2015 Wadsworth B29C 66/861
156/324
2015/0194996 A1 7/2015 Roberts et al.

OTHER PUBLICATIONS

Amazon Tzumi ProGlass 6 and 6S; http://www.amazon.com/iPhone%C2%ADScreen%C2%ADProtector%C2%ADApplicator%C2%ADBubble%C2%ADFree/dp/B00T3WSB3O/ref=sr_1_1?s=wireless&ie=UTF8&qid=1458311432&sr=%E2%80%A6
accessed Mar. 18, 2016.

Amazon Tzumi ProGlass 4 and 4S; <http://www.amazon.com/iPhone-Screen-Protector-Applicator-Bubble%C2%ADFree/dp/B00Q52V6LE> accessed May 4, 2016.

* cited by examiner

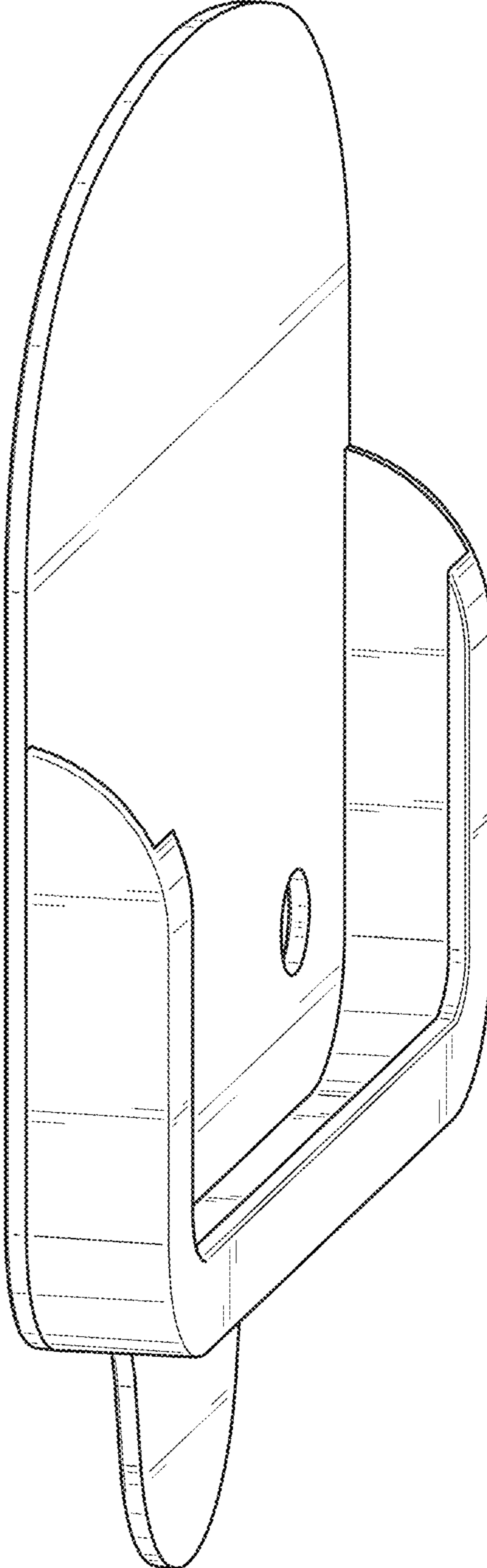


FIG. 1

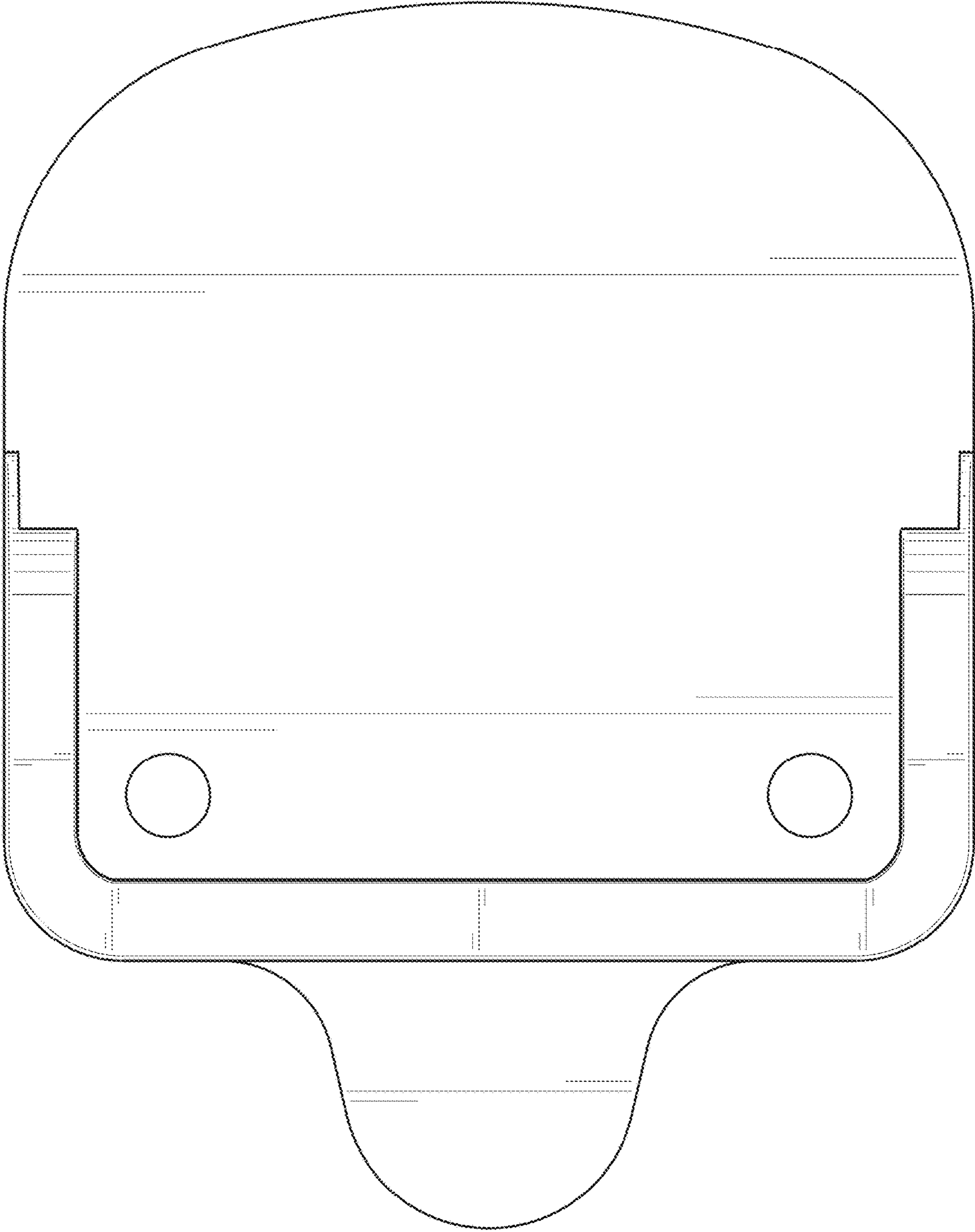


FIG. 2

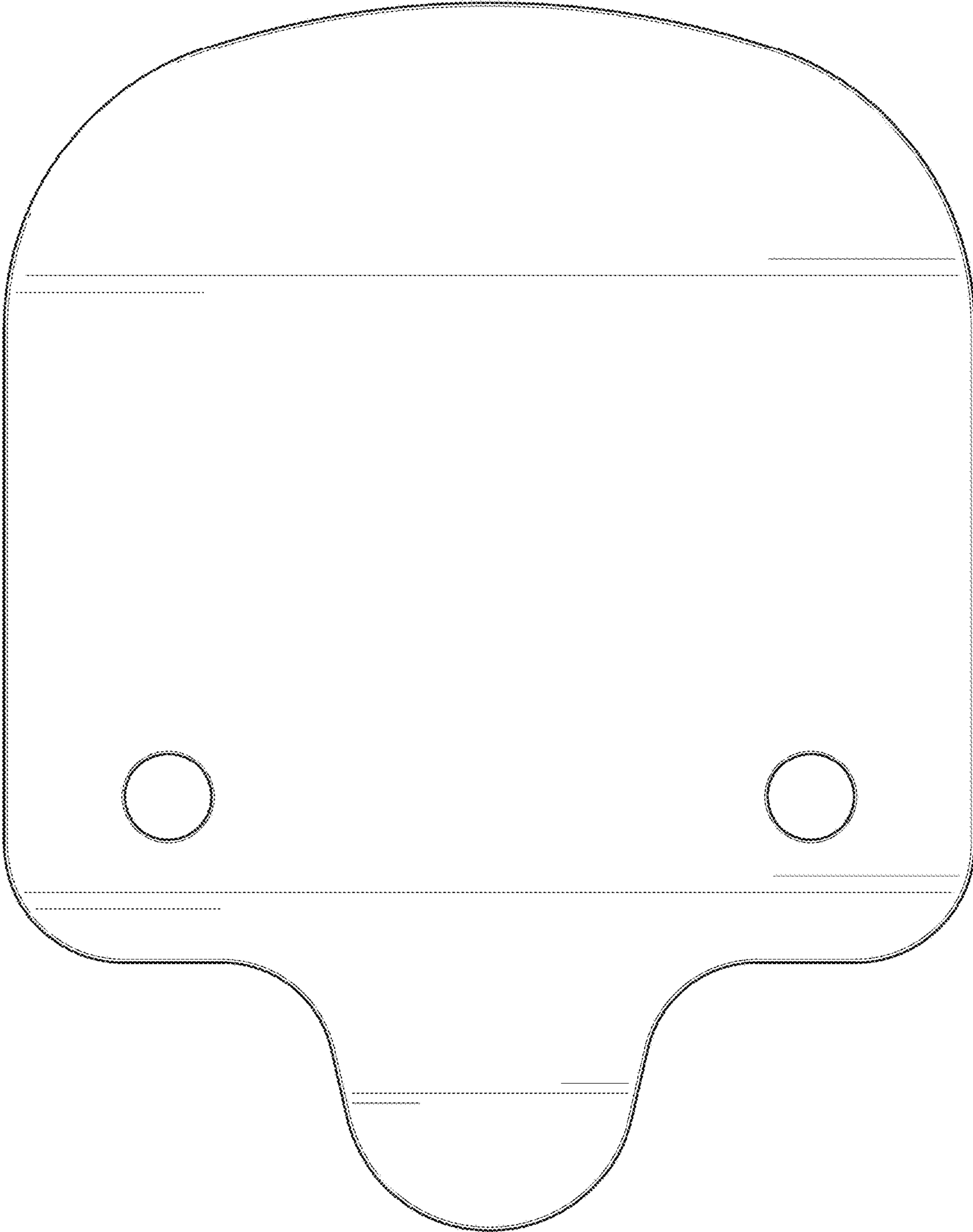


FIG. 3

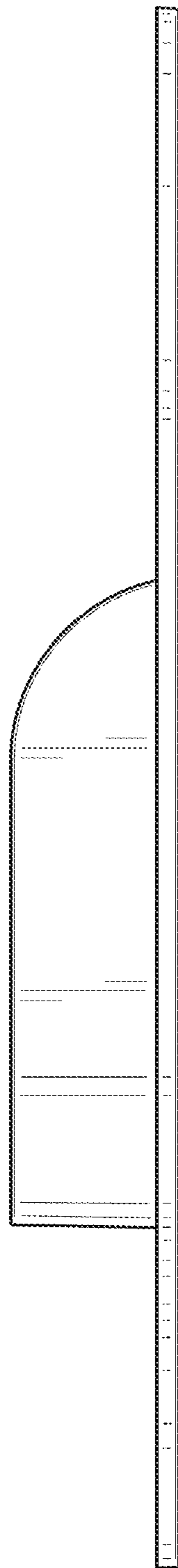


FIG. 4

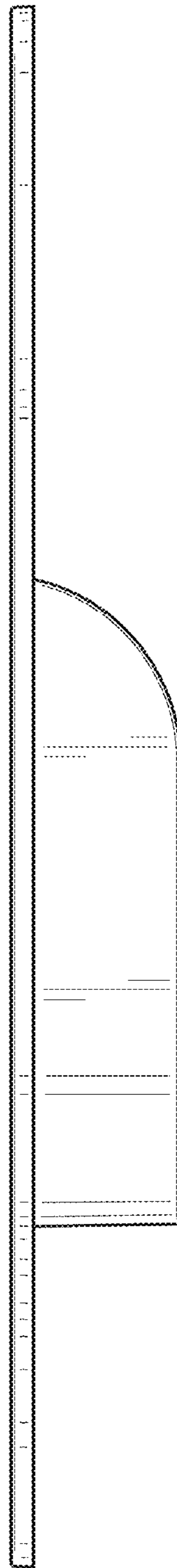


FIG. 5

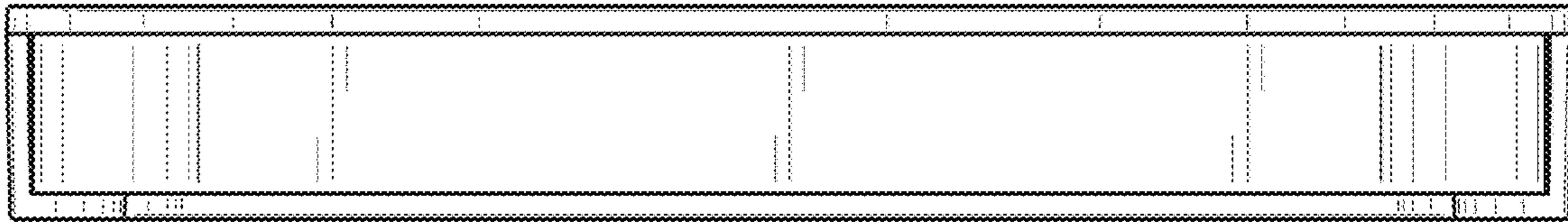


FIG. 6



FIG. 7