

US00D797544S

(12) **United States Design Patent** (10) **Patent No.:** **US D797,544 S**
Attanasio (45) **Date of Patent:** **** Sep. 19, 2017**

- (54) **QUICK CONNECT RECEPTACLE** 3,407,454 A * 10/1968 Myatt B64D 29/06
411/549
- (71) Applicant: **Gerald E. Attanasio**, Middlebury, CT D255,772 S * 7/1980 Johnson 411/349
(US) 5,688,093 A * 11/1997 Bowers F16B 5/10
411/544
- (72) Inventor: **Gerald E. Attanasio**, Middlebury, CT D478,496 S * 8/2003 Gratiot D8/349
(US) D649,028 S * 11/2011 Nielsen D8/382
D701,450 S * 3/2014 Ukai D8/382
D747,952 S * 1/2016 Attanasio D8/349
- (**) Term: **15 Years** 2006/0171777 A1* 8/2006 Walz A47B 96/024
403/314
- (21) Appl. No.: **29/547,824** 2012/0138757 A1* 6/2012 Hong B62D 25/088
248/205.1
- (22) Filed: **Dec. 8, 2015**

* cited by examiner

Related U.S. Application Data

- (62) Division of application No. 29/455,912, filed on May 25, 2013, now Pat. No. Des. 747,952.
- (51) **LOC (10) Cl.** **08-08**
- (52) **U.S. Cl.**
USPC **D8/349**
- (58) **Field of Classification Search**
USPC D8/330, 331, 339, 343, 344, 349, 354,
D8/382, 394, 499
CPC F16B 5/00; F16B 5/02; F16B 5/10; F16B
2/00; F16B 21/02; F16B 21/04; F16B
21/06
See application file for complete search history.

Primary Examiner — Mark Goodwin

(74) *Attorney, Agent, or Firm* — Raymond A. Nuzzo

(57) **CLAIM**

The ornamental design for a quick connect receptacle, as shown and described.

DESCRIPTION

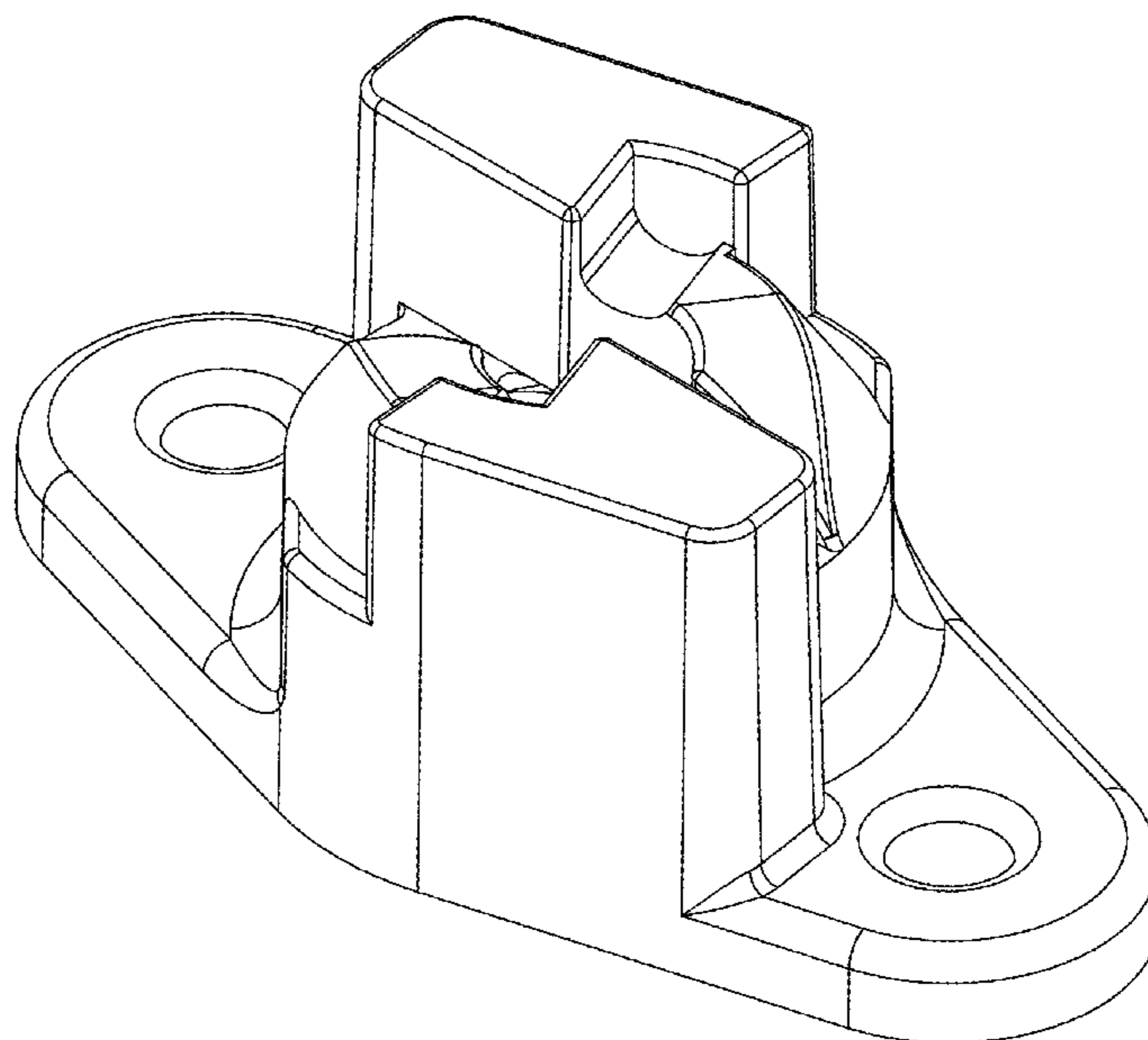
FIG. 1 is a top view of a quick connect receptacle showing my new design;
 FIG. 2 is a front elevational view thereof, the rear elevational view being identical;
 FIG. 3 is a right side elevational view thereof, the left side elevational view being identical;
 FIG. 4 is a bottom view thereof;
 FIG. 5 is a perspective view thereof; and,
 FIG. 6 is a front, cross-sectional view thereof in the direction of line 6-6 of FIG. 1.
 The broken line portion of the figure drawings is included to show unclaimed subject matter only and forms no part of the claimed design.

(56) **References Cited**

U.S. PATENT DOCUMENTS

- 2,406,007 A * 8/1946 Eisele F16B 5/10
411/549
- 2,499,574 A * 3/1950 Dzus F16B 5/10
411/555
- 2,547,155 A * 4/1951 Dzus F16B 5/10
411/555
- 2,585,241 A * 2/1952 Gunther F16B 5/10
411/555

1 Claim, 6 Drawing Sheets



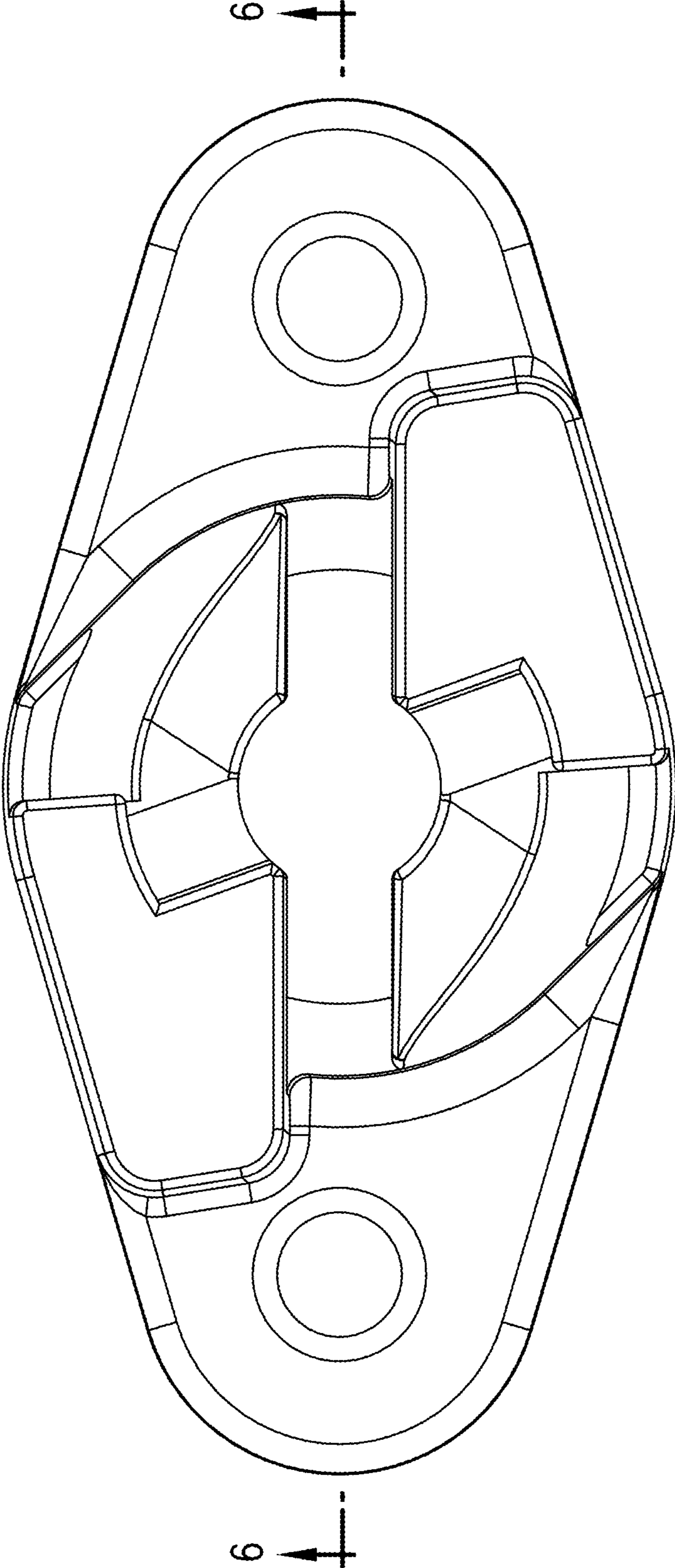


FIG.1

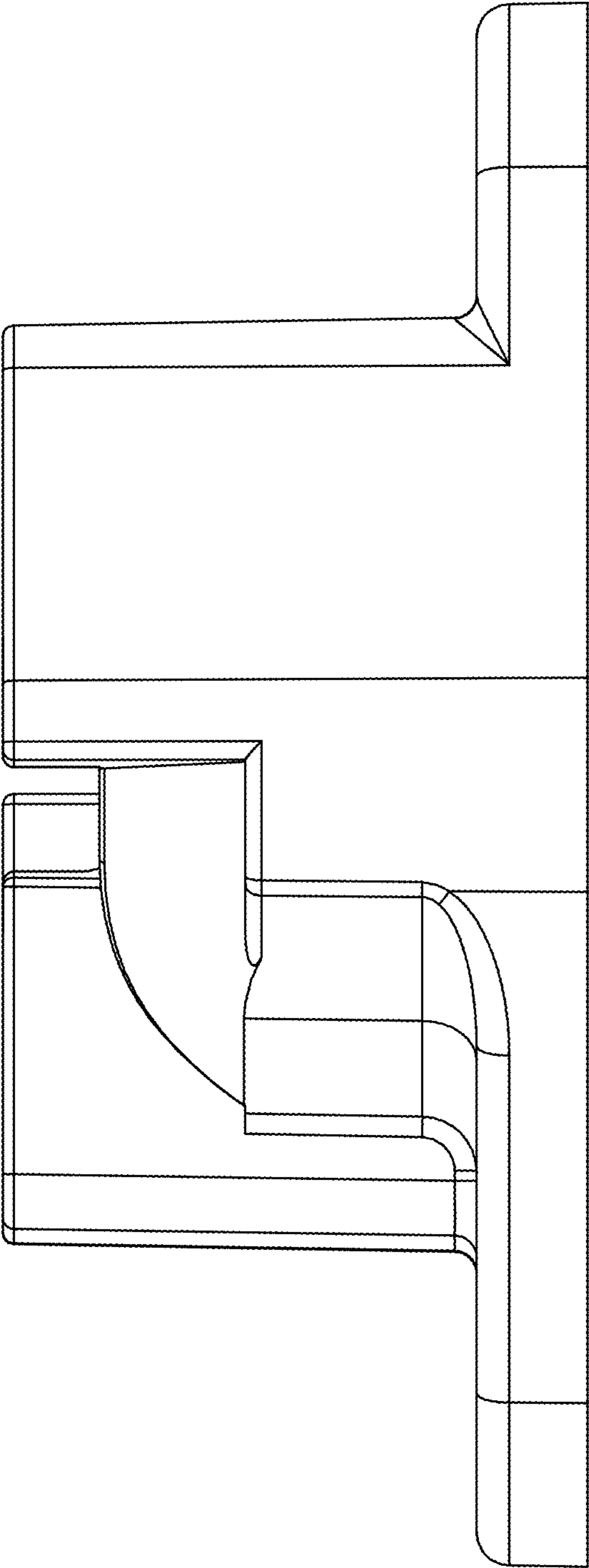


FIG. 2

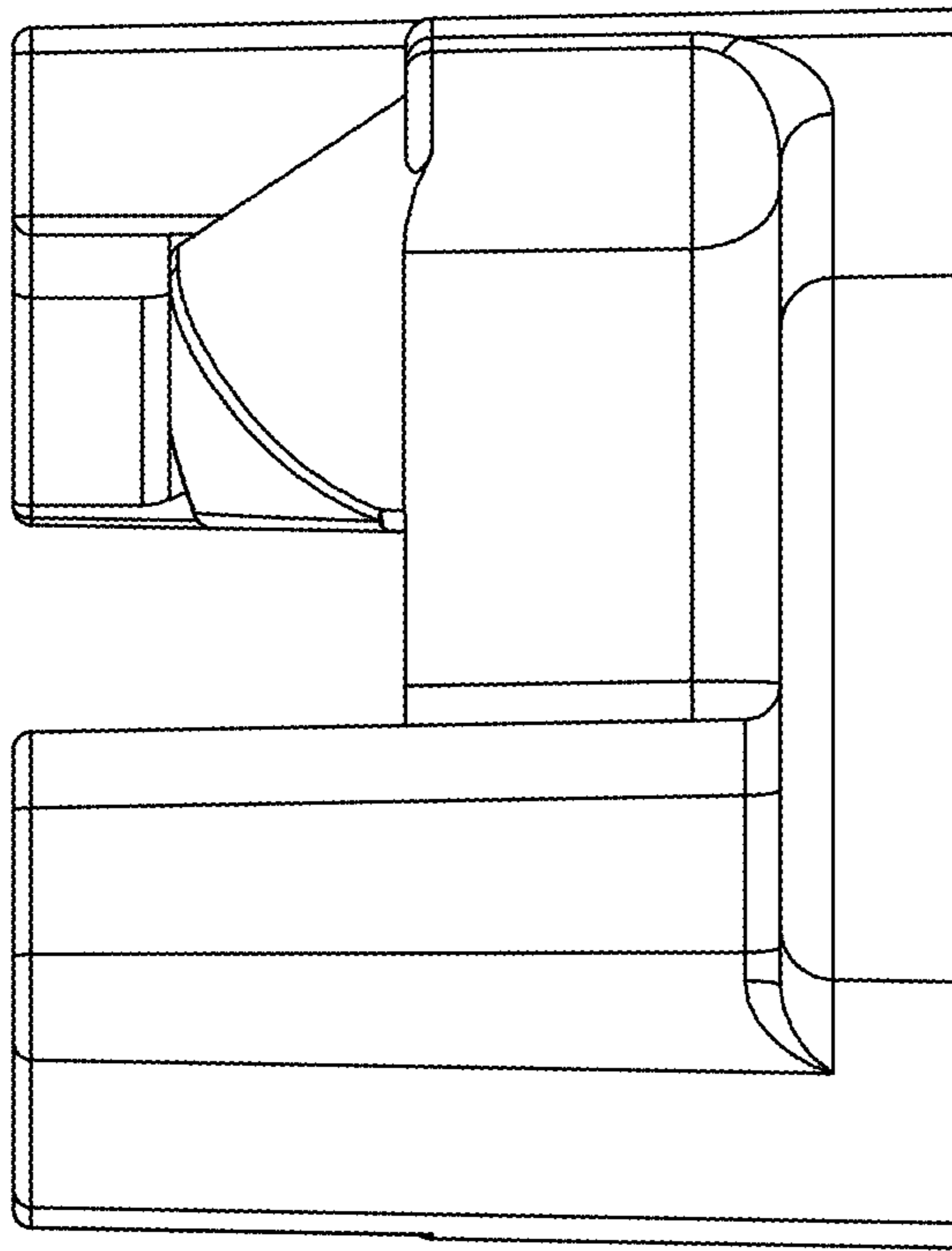


FIG. 3

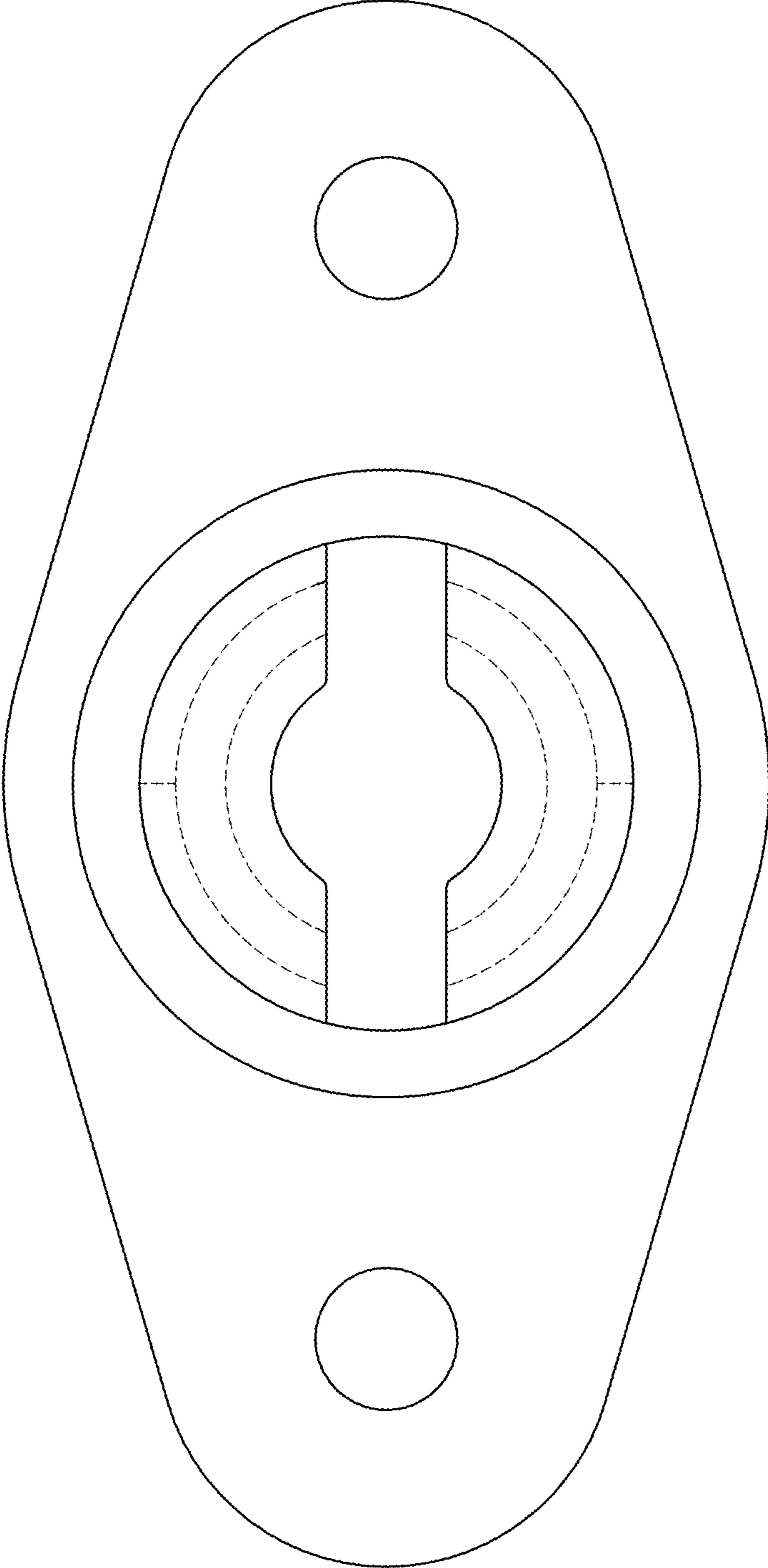


FIG.4

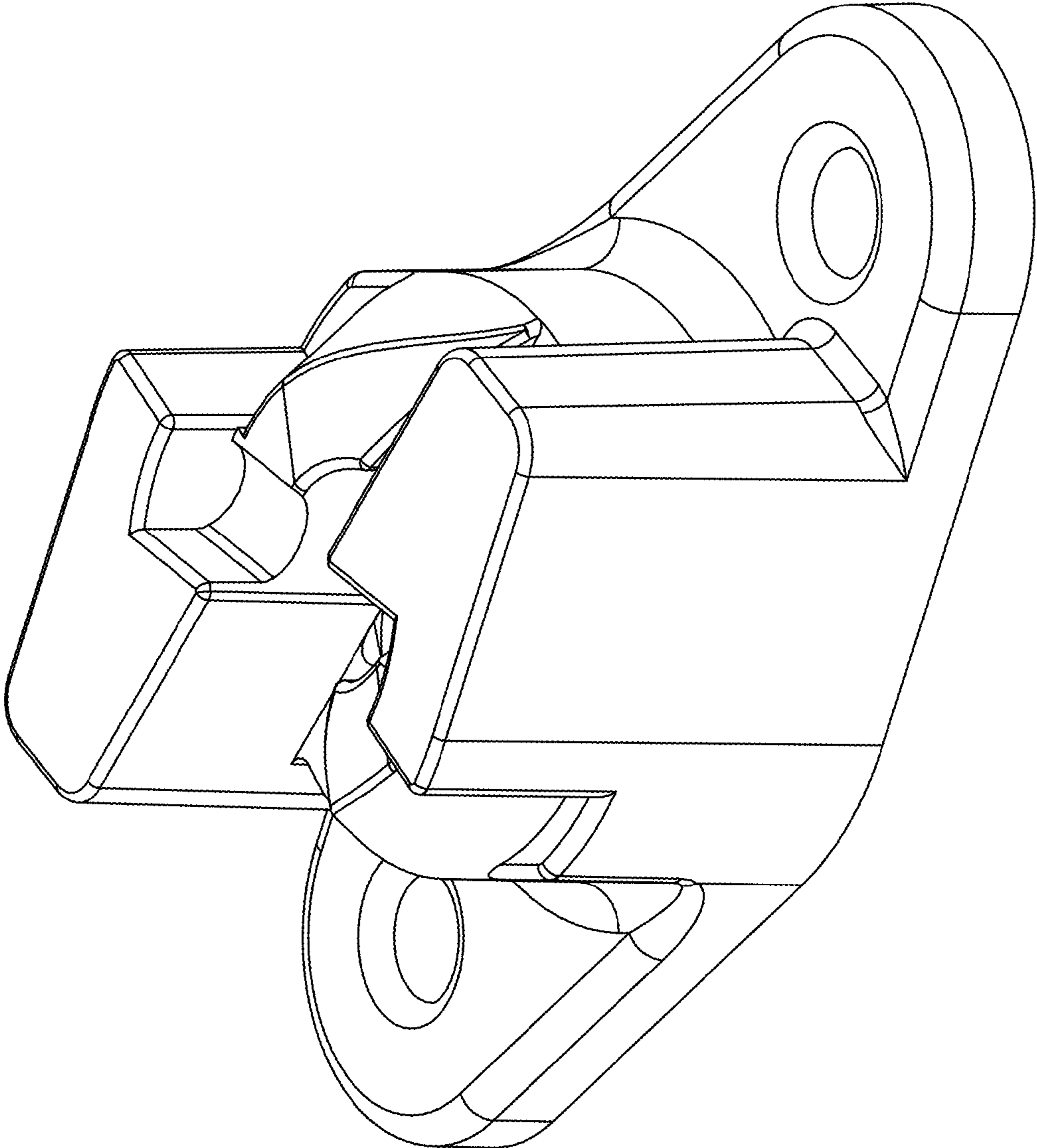


FIG. 5

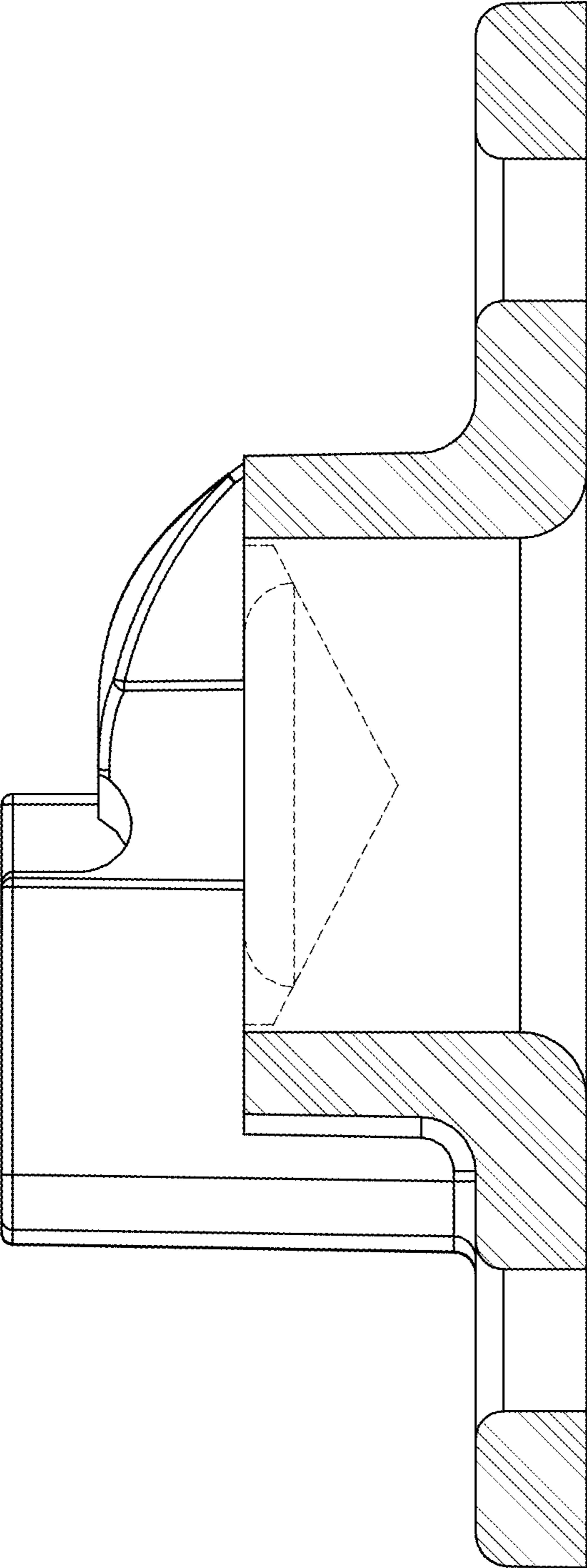


FIG. 6