



US00D797543S

(12) **United States Design Patent**
Marsden

(10) **Patent No.:** **US D797,543 S**
(45) **Date of Patent:** **** Sep. 19, 2017**

- (54) **SLIDING CABINET LOCK**
- (71) Applicant: **Elbee Pty Ltd.**, Bondi Junction (AU)
- (72) Inventor: **Andrew Marsden**, Hingham, MA (US)
- (73) Assignee: **Elbee Pty Ltd.**, Bondi Junction (AU)
- (**) Term: **15 Years**
- (21) Appl. No.: **29/574,088**
- (22) Filed: **Aug. 11, 2016**

D396,627 S 8/1998 Blad
 5,931,032 A * 8/1999 Gregory B82Y 10/00
 292/148
 6,012,655 A 1/2000 Maier
 (Continued)

OTHER PUBLICATIONS

Safety 1st Cabinet Lock, publicly disclosed prior to Sep. 10, 2014.

Primary Examiner — Prabhakar Deshmukh
(74) *Attorney, Agent, or Firm* — Wolf, Greenfield & Sacks, P.C.

Related U.S. Application Data

- (63) Continuation of application No. 29/501,925, filed on Sep. 10, 2014, now Pat. No. Des. 766,068.
- (51) **LOC (10) Cl.** **08-07**
- (52) **U.S. Cl.**
USPC **D8/339**; D8/331; D8/343
- (58) **Field of Classification Search**
USPC D8/330, 331, 339–342, 349, 367, 400;
70/14, 19, 57, 57.1, 58, 51, 52, 199, 237,
70/240, 431, 288, 94, 99, 175, 177, 209,
70/225, 226; 292/92, 339, 259 R, 259 A,
292/57, 262, 273, 305, 306, DIG. 47;
49/57, 61, 62, 303, 463–466
CPC E05B 73/00
See application file for complete search history.

(57) **CLAIM**

The ornamental design for a sliding cabinet lock, as shown and described.

DESCRIPTION

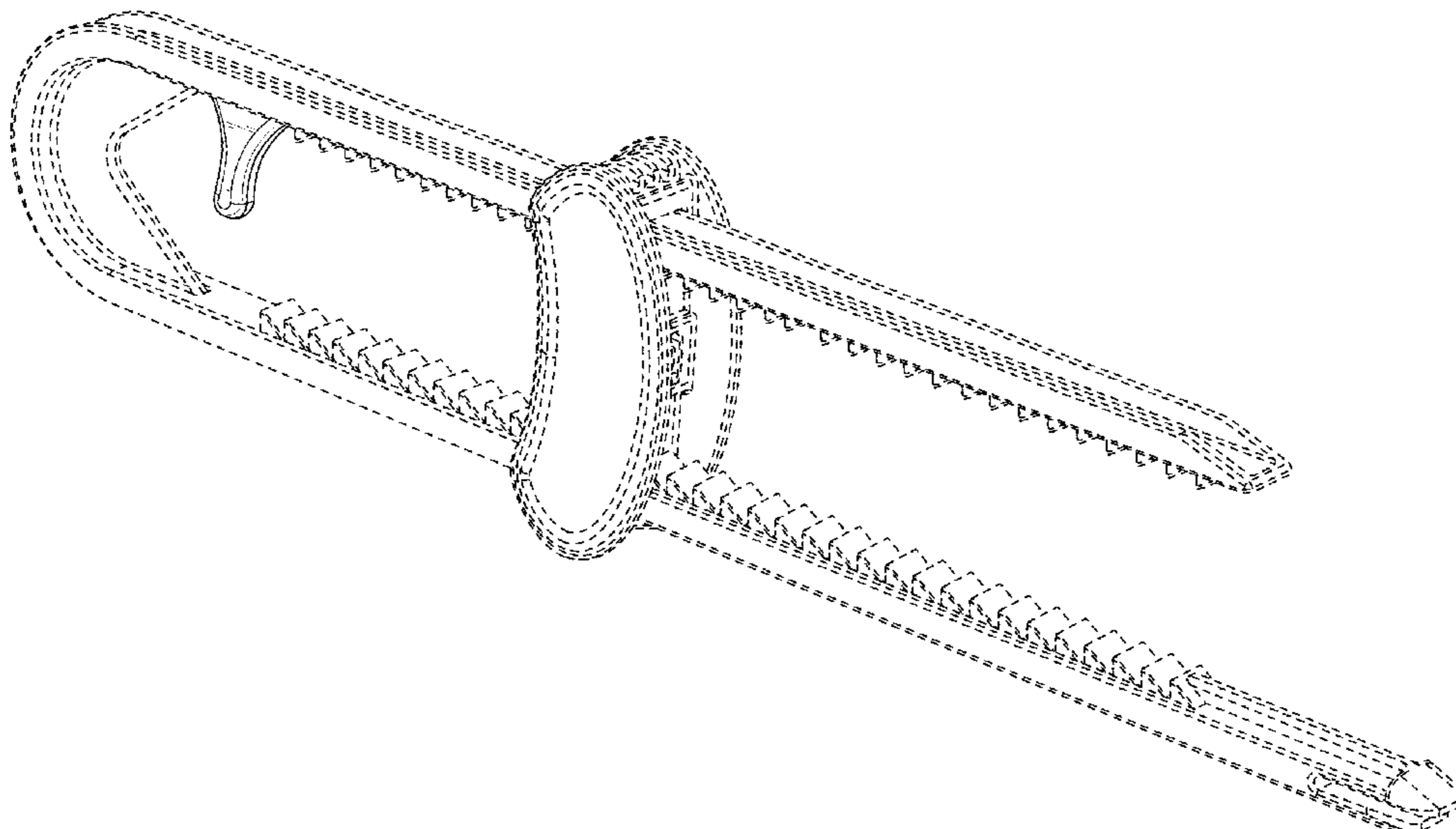
FIG. 1 is a front, left side and top perspective view of a sliding cabinet lock showing my new design;
 FIG. 2 is a front, right side and top perspective view thereof;
 FIG. 3 is a right side elevation view thereof;
 FIG. 4 is a left side elevation view thereof;
 FIG. 5 is a rear, left side and top perspective view thereof;
 FIG. 6 is a rear, right side and top perspective view thereof;
 FIG. 7 is a rear, left side and bottom perspective view thereof;
 FIG. 8 is a rear, right side and bottom perspective view thereof;
 FIG. 9 is a front, right side and bottom perspective view thereof;
 FIG. 10 a front, left side and bottom perspective view thereof;
 FIG. 11 is a top plan view thereof; and,
 FIG. 12 is a bottom plan view thereof.
 The broken lines show portions of the sliding cabinet lock that form no part of the claimed design.

(56) **References Cited**

U.S. PATENT DOCUMENTS

- D239,079 S 3/1976 Sato
- D244,174 S 5/1977 Sankey
- 4,352,613 A * 10/1982 Bertolini B60P 7/13
220/1.5
- 4,617,810 A 10/1986 Fish et al.
- D294,454 S * 3/1988 Loudenslager D8/339
- 4,782,561 A * 11/1988 Hayama B60P 7/132
24/287

1 Claim, 12 Drawing Sheets



(56)

References Cited

U.S. PATENT DOCUMENTS

6,477,872	B1 *	11/2002	Denton, Jr.	E05B 67/36 70/100
D498,407	S *	11/2004	Layton	D8/331
D524,633	S	7/2006	Robert et al.	
D616,722	S	6/2010	Shin	
7,841,327	B2	11/2010	Sopinsky et al.	
8,157,839	B2	4/2012	Riskin et al.	
8,402,798	B2	3/2013	Brojanac et al.	
8,696,692	B2 *	4/2014	Hoglund	A61B 17/12009 606/151
D710,183	S	8/2014	Huddleston	
2009/0270923	A1 *	10/2009	Tormala	A61B 17/823 606/263

* cited by examiner

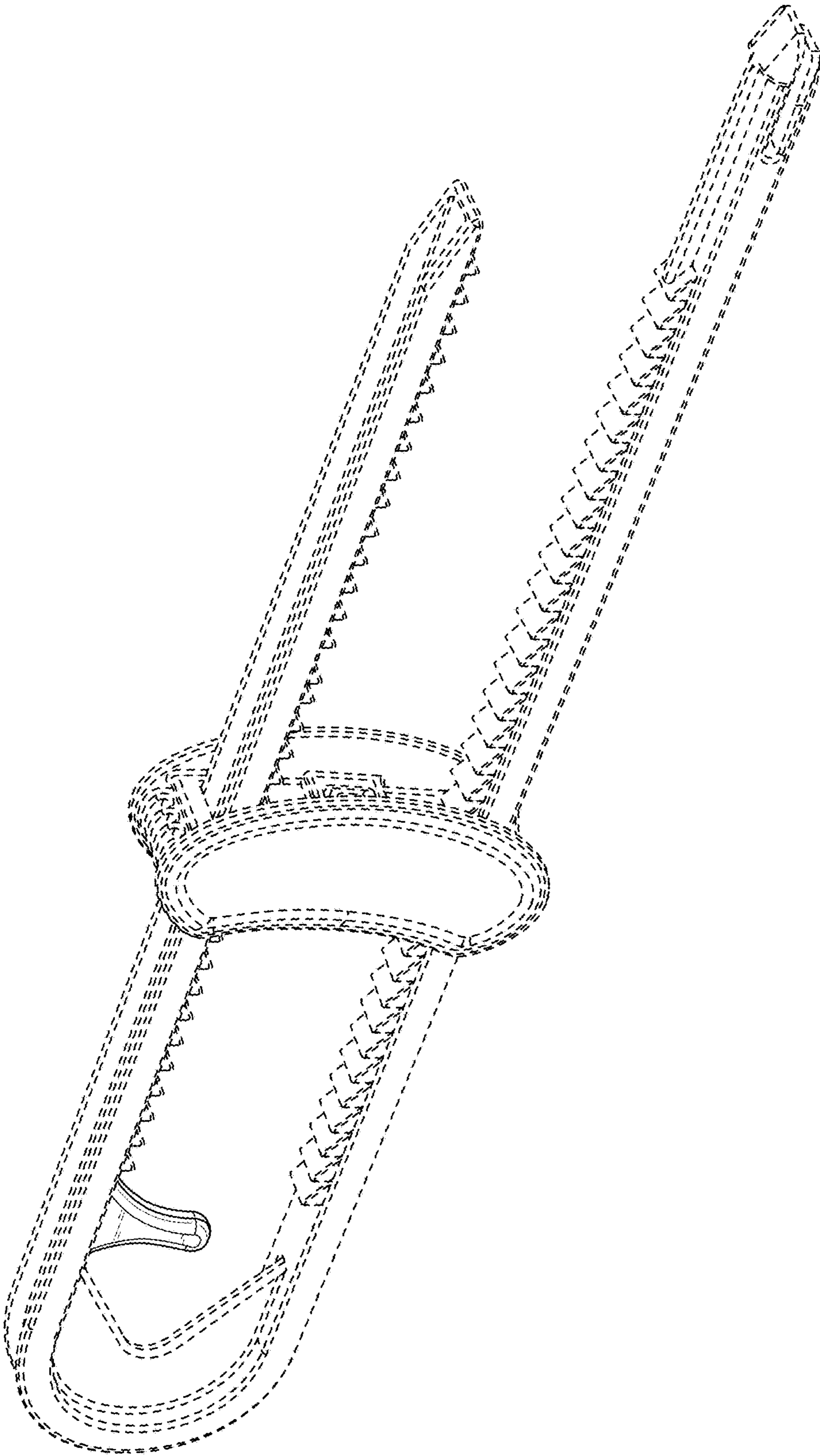


FIG. 1

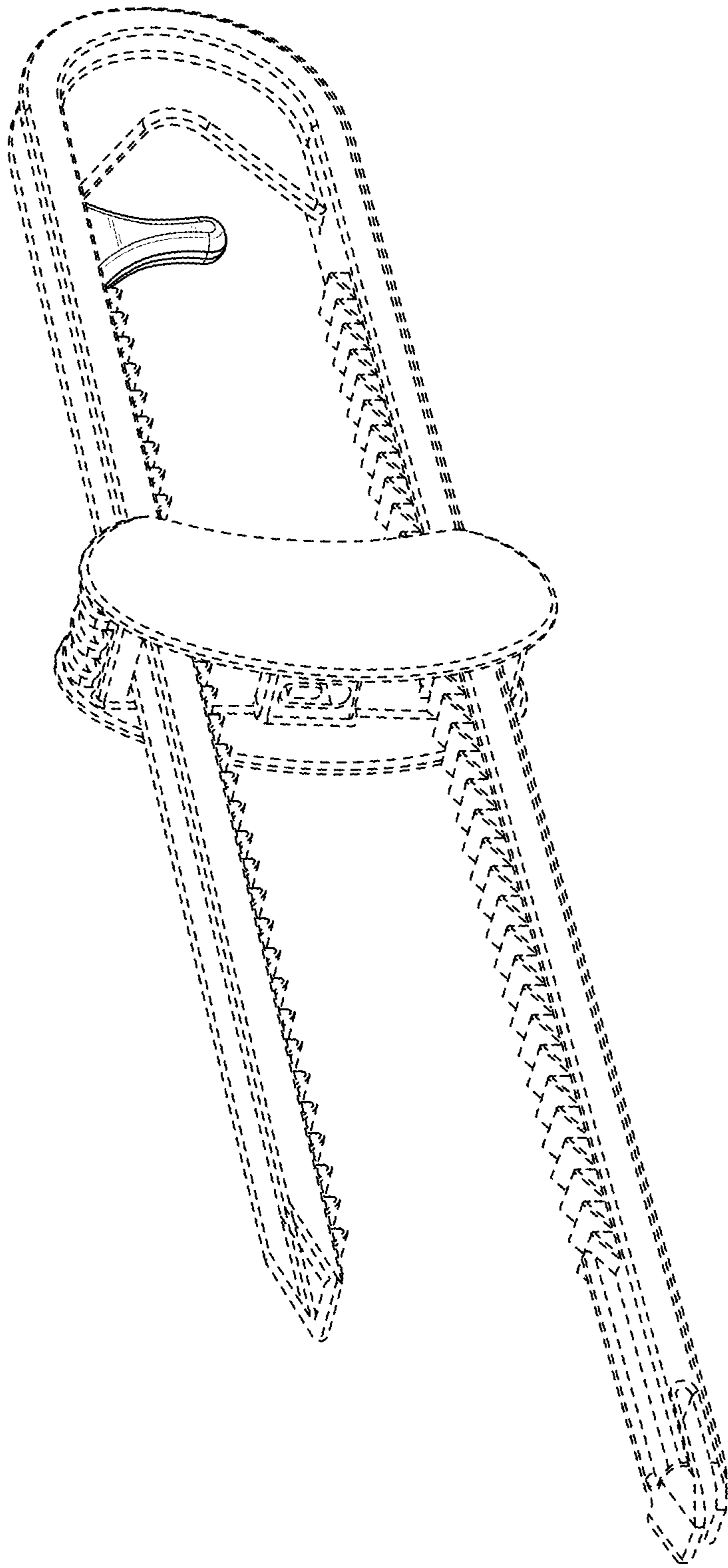


FIG. 2

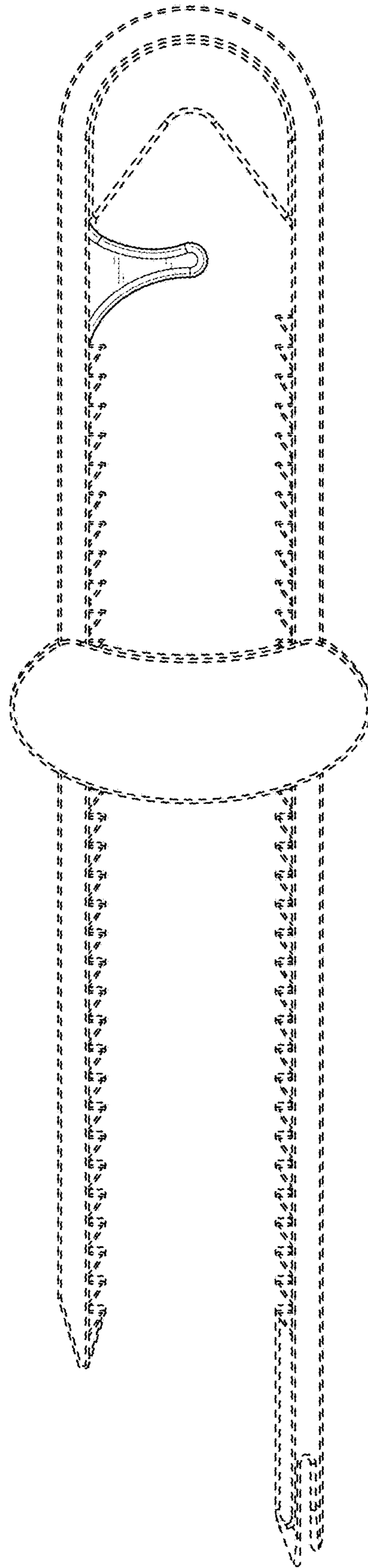


FIG. 3

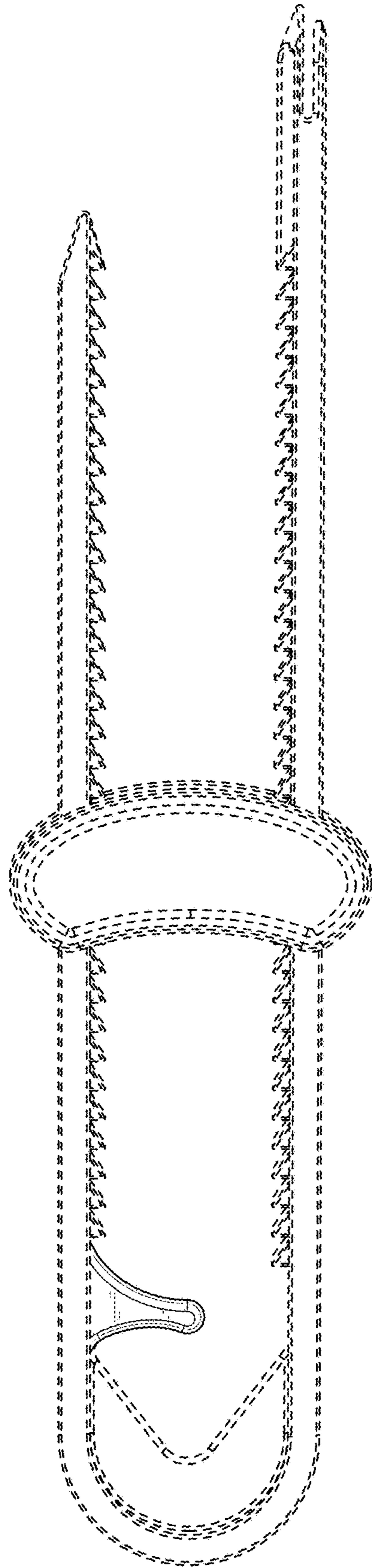


FIG. 4

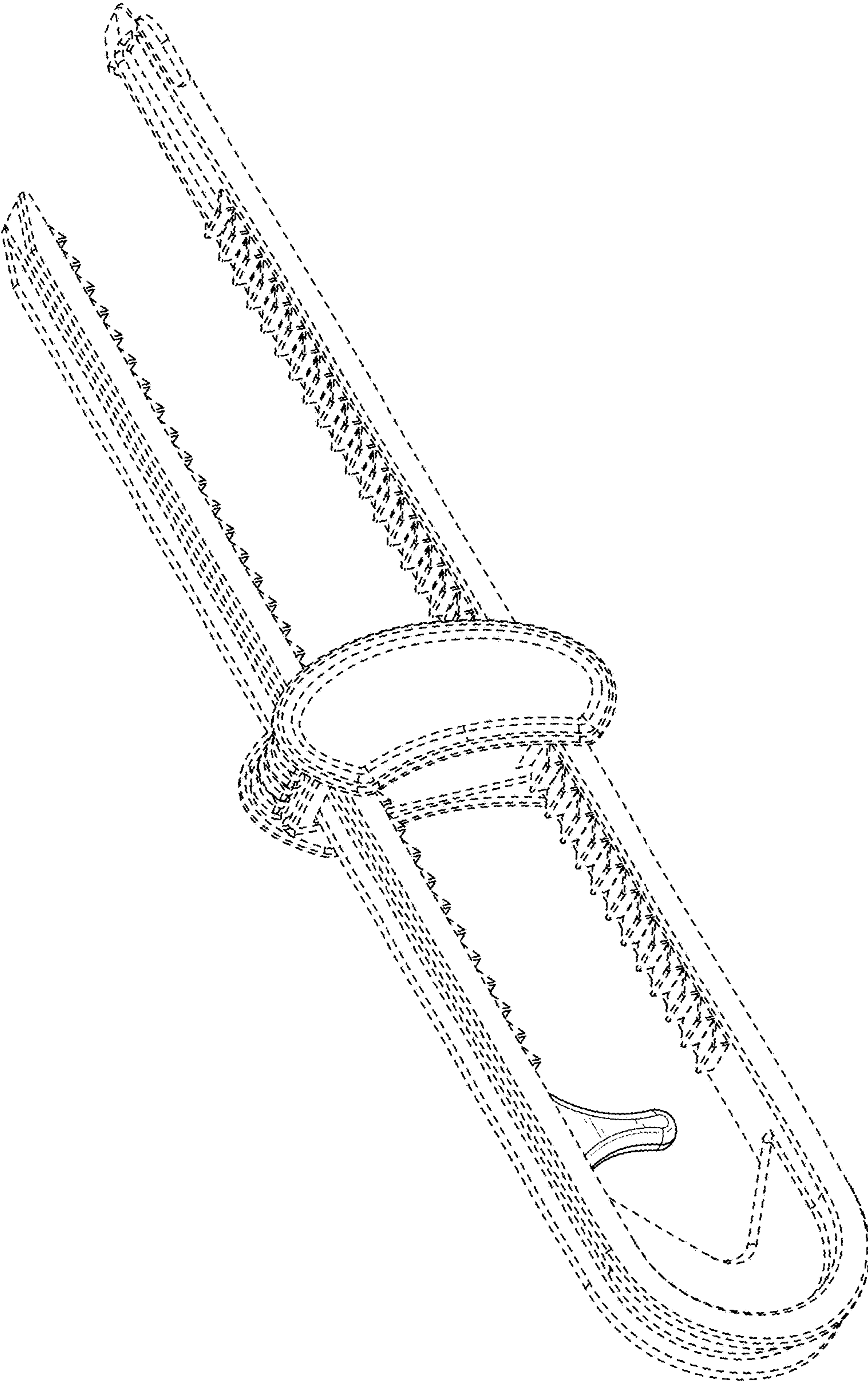


FIG. 5

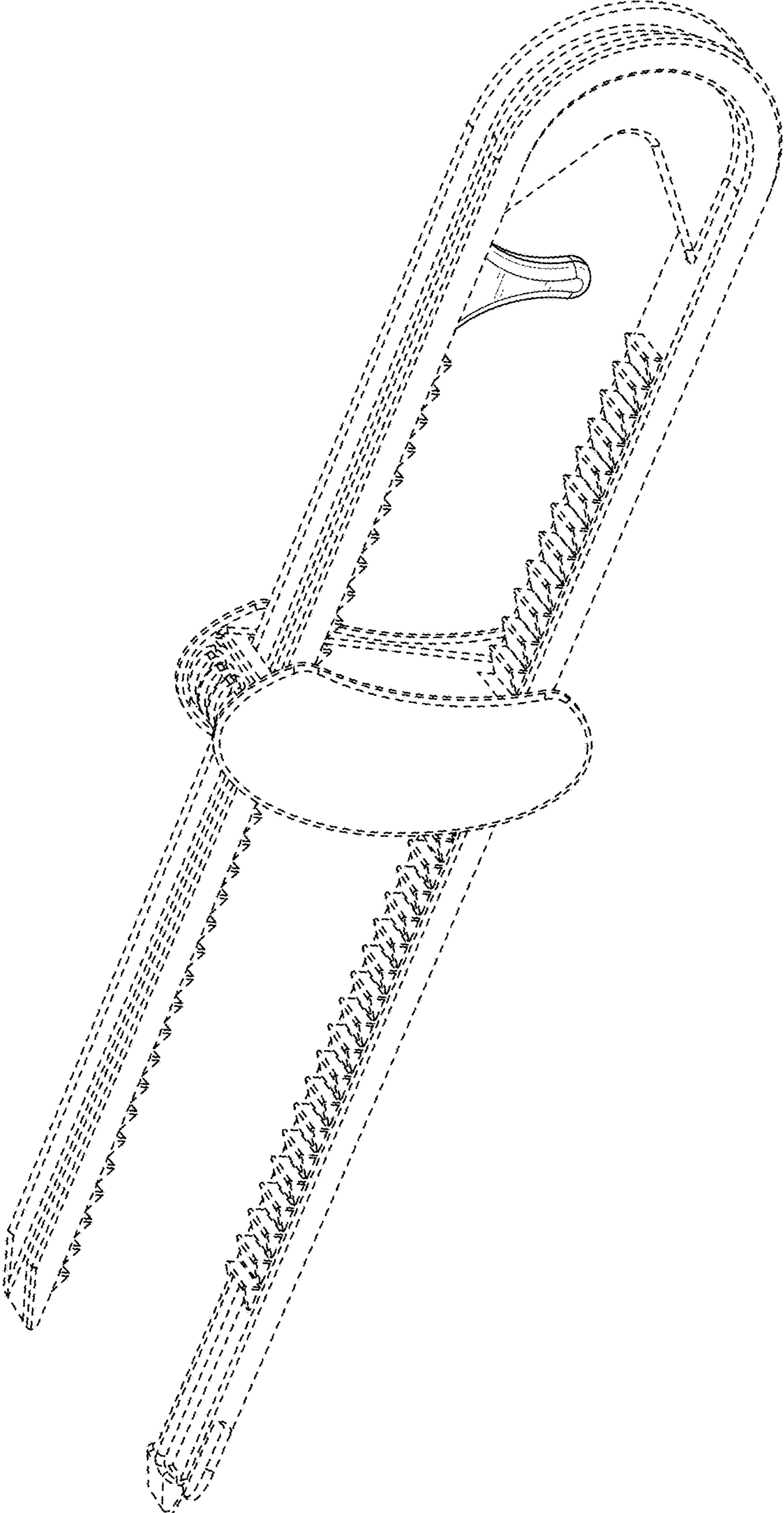


FIG. 6

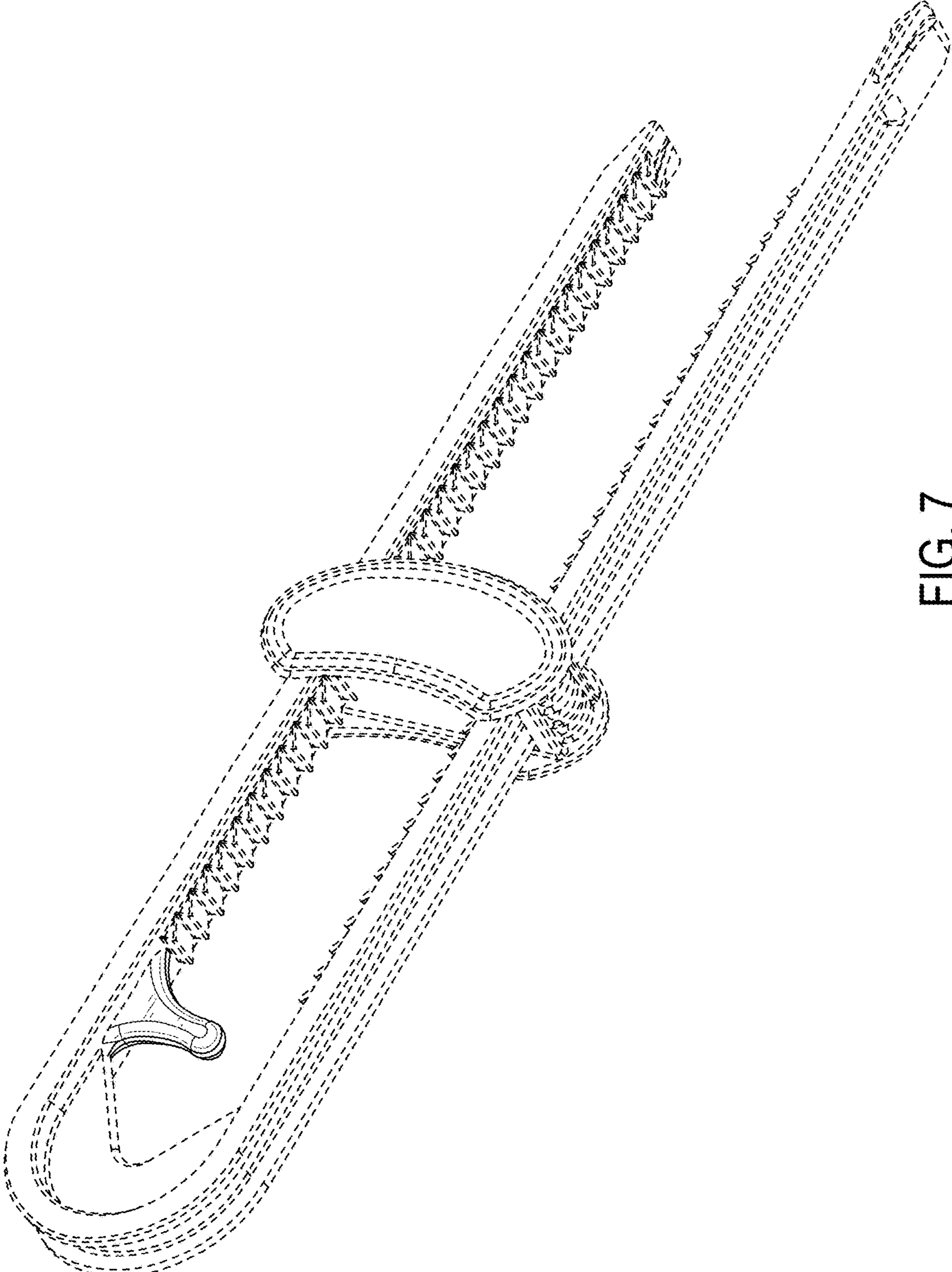


FIG. 7

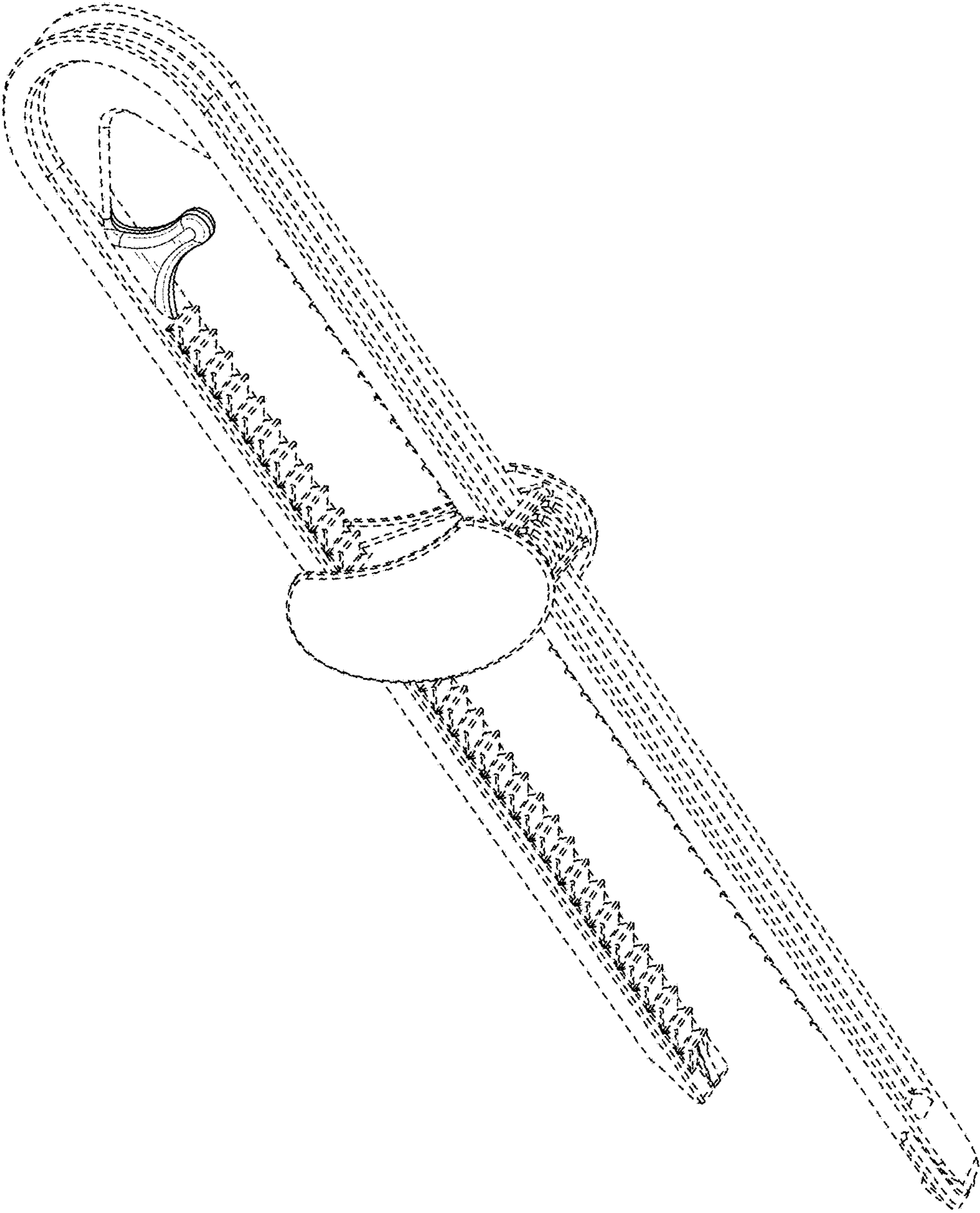


FIG. 8

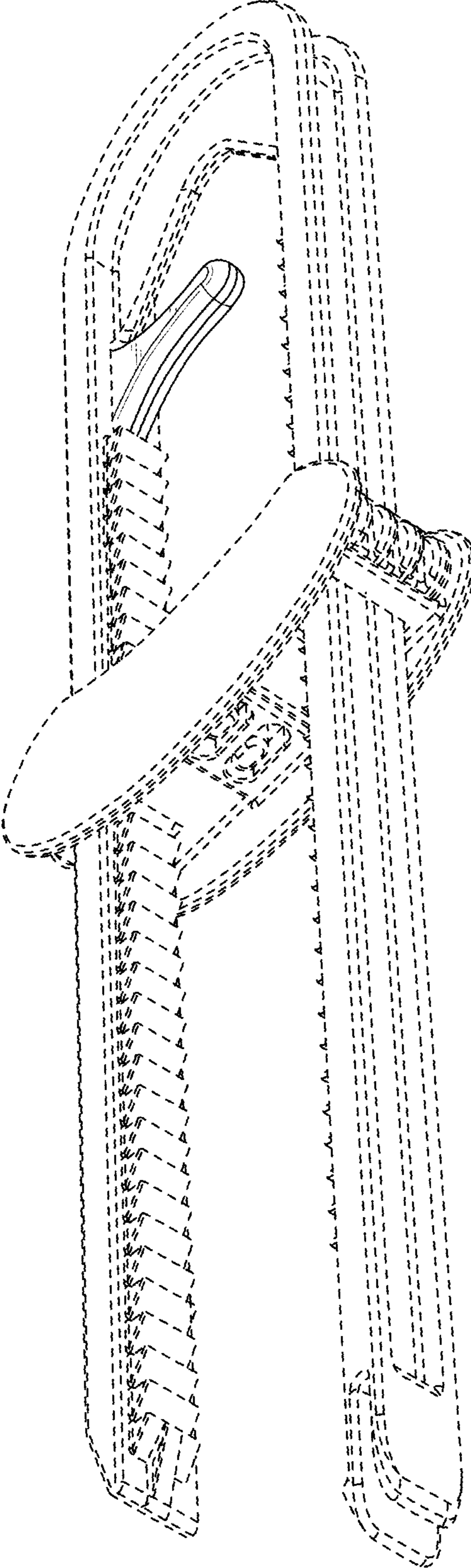


FIG. 9

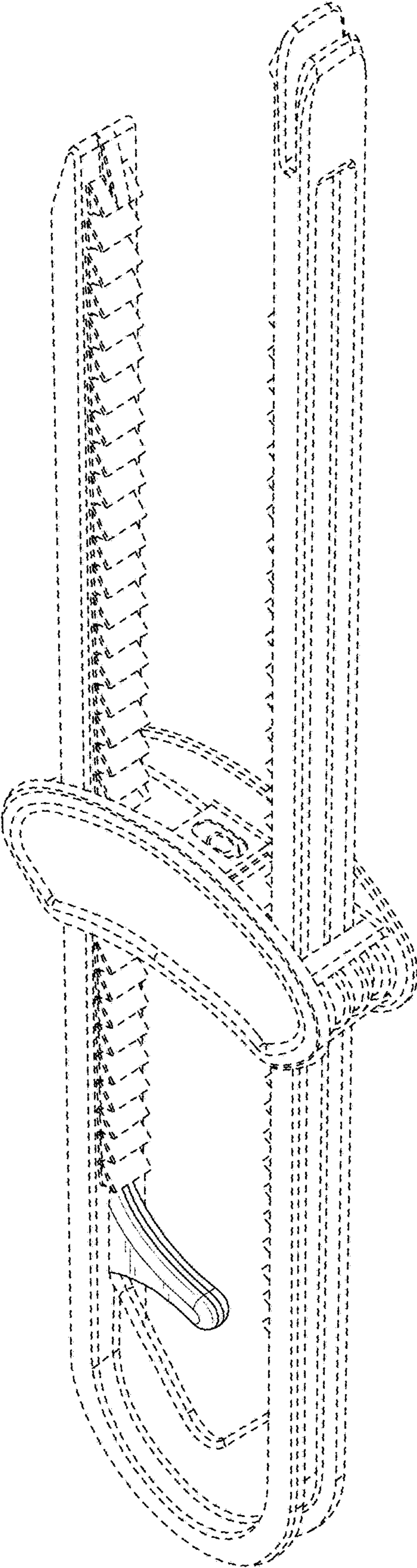


FIG. 10

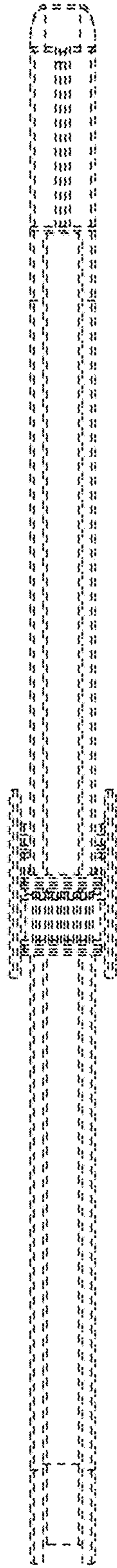


FIG. 11

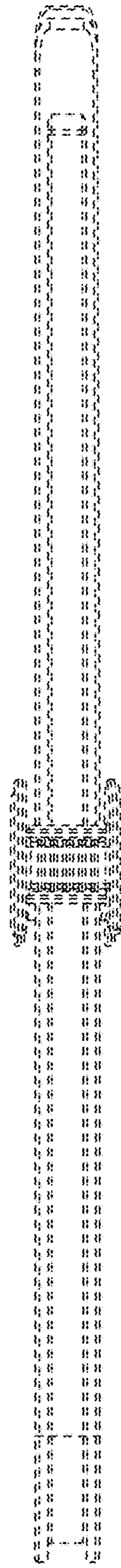


FIG. 12