

US00D797542S

(12) **United States Design Patent** (10) **Patent No.:** **US D797,542 S**  
**Block** (45) **Date of Patent:** **\*\* Sep. 19, 2017**

- (54) **HOCKEY PUCK DOOR KNOB**
- (71) Applicant: **Brandon C. Block**, Orchard Park, NY (US)
- (72) Inventor: **Brandon C. Block**, Orchard Park, NY (US)
- (\*\*) Term: **15 Years**
- (21) Appl. No.: **29/542,671**
- (22) Filed: **Oct. 16, 2015**
- (51) **LOC (10) Cl.** ..... **08-06**
- (52) **U.S. Cl.**  
USPC ..... **D8/310**
- (58) **Field of Classification Search**  
USPC ..... D8/300, 305, 307, 393, DIG. 1, DIG. 2;  
D7/393; D23/250, 254; 16/110.1, 413,  
16/414, 415, 417, 422, 441, DIG. 30;  
292/336.3, 347  
CPC ... Y10T 292/57; Y10T 292/82; Y10T 16/469;  
Y10T 16/44; Y10T 16/506; Y10T 292/85;  
Y10T 16/458; Y10T 74/2084; Y10T  
16/46; Y10T 16/459; Y10T 74/20732;  
Y10T 292/03; Y10T 16/4713; Y10T  
16/466; Y10T 292/88; Y10T 29/49599;  
Y10T 16/487; Y10T 16/462; Y10T  
16/4636; Y10T 74/20864; Y10T 70/5155;  
Y10T 16/4559; Y10T 292/0951; Y10T  
292/0891; Y10T 292/0934; Y10T  
292/0968; E05B 1/0007; E05B 1/0015;  
E05B 79/06; E05B 85/10; E05B 1/0053;  
E05B 55/005; E05B 1/00; E05B 85/107;  
E05B 3/00  
See application file for complete search history.

- (56) **References Cited**  
U.S. PATENT DOCUMENTS  
373,632 A \* 11/1887 Bardsley ..... E05B 1/0007  
292/347  
2,489,160 A \* 11/1949 Schoepe ..... E05B 1/0007  
29/896.5

- D172,313 S \* 5/1954 Rucker ..... D19/186
- D225,393 S \* 12/1972 Giandomencio ..... D8/310
- 3,754,478 A \* 8/1973 Perlino ..... D05B 69/34  
112/270
- 4,295,350 A \* 10/1981 Grinage ..... E05B 15/08  
70/454
- D291,824 S \* 9/1987 Lathrop ..... D23/254
- D301,681 S \* 6/1989 Jans ..... D8/310
- 5,499,427 A \* 3/1996 Bowman ..... A47B 95/02  
16/417
- 5,505,508 A \* 4/1996 Kuo ..... E05B 13/004  
292/169.17
- D372,658 S \* 8/1996 Decursu ..... D8/310
- D390,769 S \* 2/1998 Hankel ..... D8/301
- D434,962 S \* 12/2000 Short ..... D8/310
- D545,664 S \* 7/2007 Fields ..... D8/310
- D551,937 S \* 10/2007 Krumpke ..... D8/310

(Continued)

*Primary Examiner* — Ian Simmons  
*Assistant Examiner* — Lauren Calve  
(74) *Attorney, Agent, or Firm* — Dunlap Bennett & Ludwig PLLC

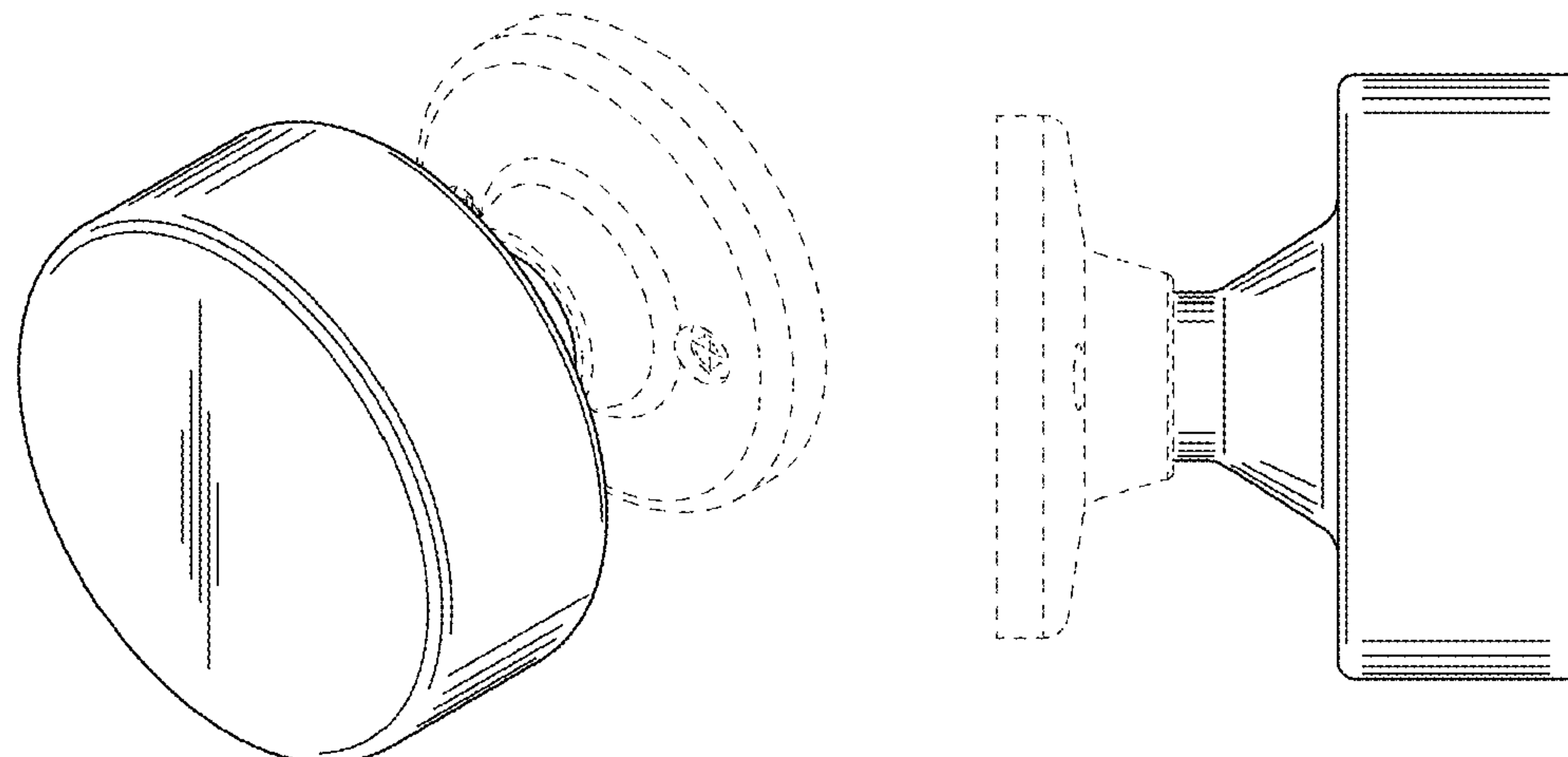
(57) **CLAIM**

The ornamental design for a hockey puck door knob, as shown and described.

**DESCRIPTION**

FIG. 1 is a perspective view of a hockey puck door knob shown in environmental use;  
FIG. 2 is a perspective view thereof;  
FIG. 3 is a front view thereof;  
FIG. 4 is a rear view thereof;  
FIG. 5 is a left view thereof, the right view being a mirror image thereof; and,  
FIG. 6 is a top view thereof, the bottom view being a mirror image thereof.  
The broken lines shown represent unclaimed subject matter and form no part of the claimed design.

**1 Claim, 3 Drawing Sheets**



(56)

**References Cited**

U.S. PATENT DOCUMENTS

D554,469	S	*	11/2007	Sato	.....	D8/310
D559,073	S	*	1/2008	Krumpe	.....	D8/310
D560,964	S	*	2/2008	Hoff	.....	D7/393
D581,249	S	*	11/2008	Wu	.....	D8/343
D592,036	S	*	5/2009	Domin	.....	D8/307
D592,037	S	*	5/2009	Mattson	.....	D8/310
D592,483	S	*	5/2009	Ricereto	.....	D8/307
D736,589	S	*	8/2015	Watson	.....	D8/310
D754,518	S	*	4/2016	Bahler	.....	D8/310
2008/0271287	A1	*	11/2008	Gustafson	.....	F16K 21/06 16/110.1

\* cited by examiner

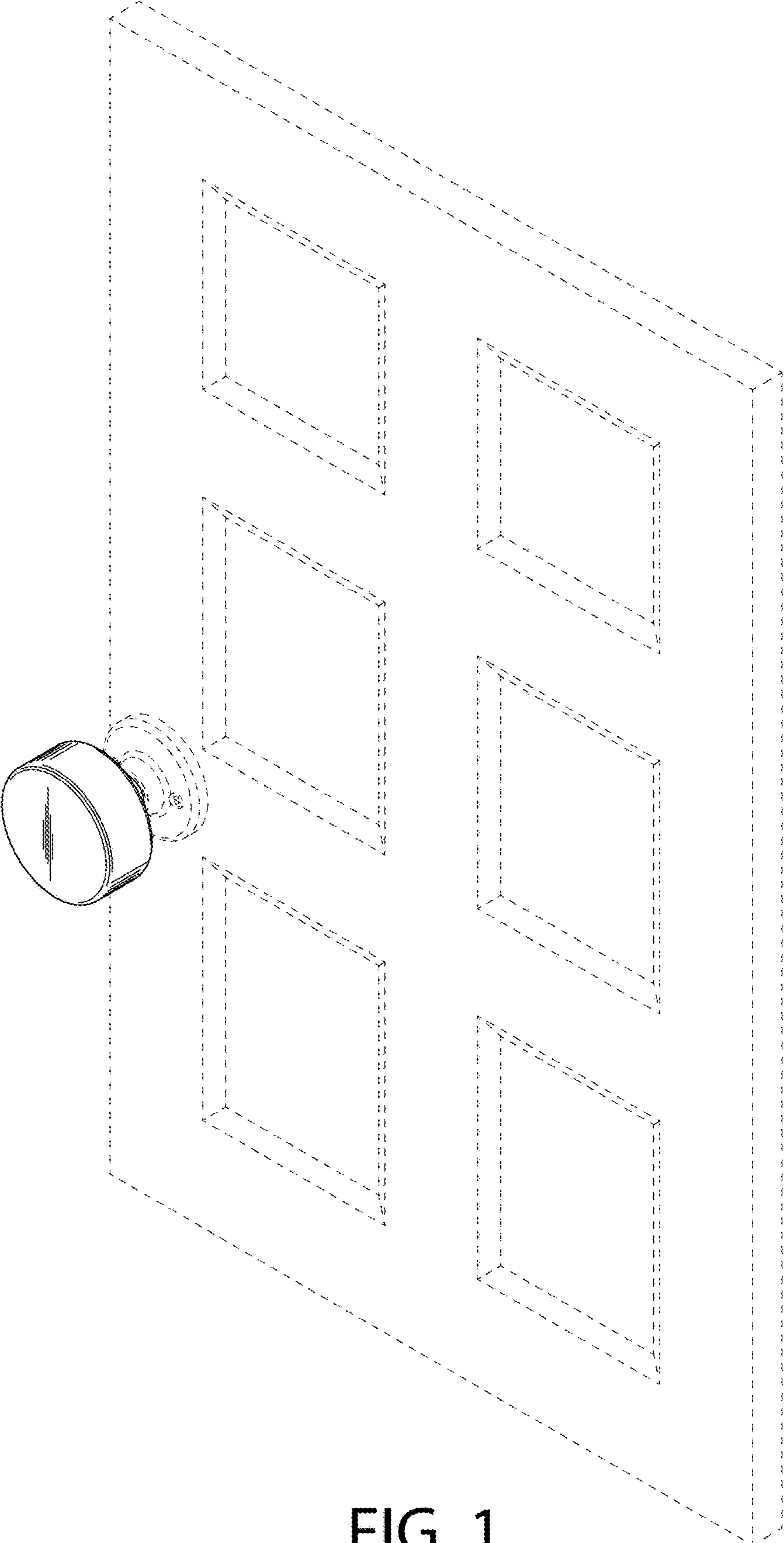


FIG. 1

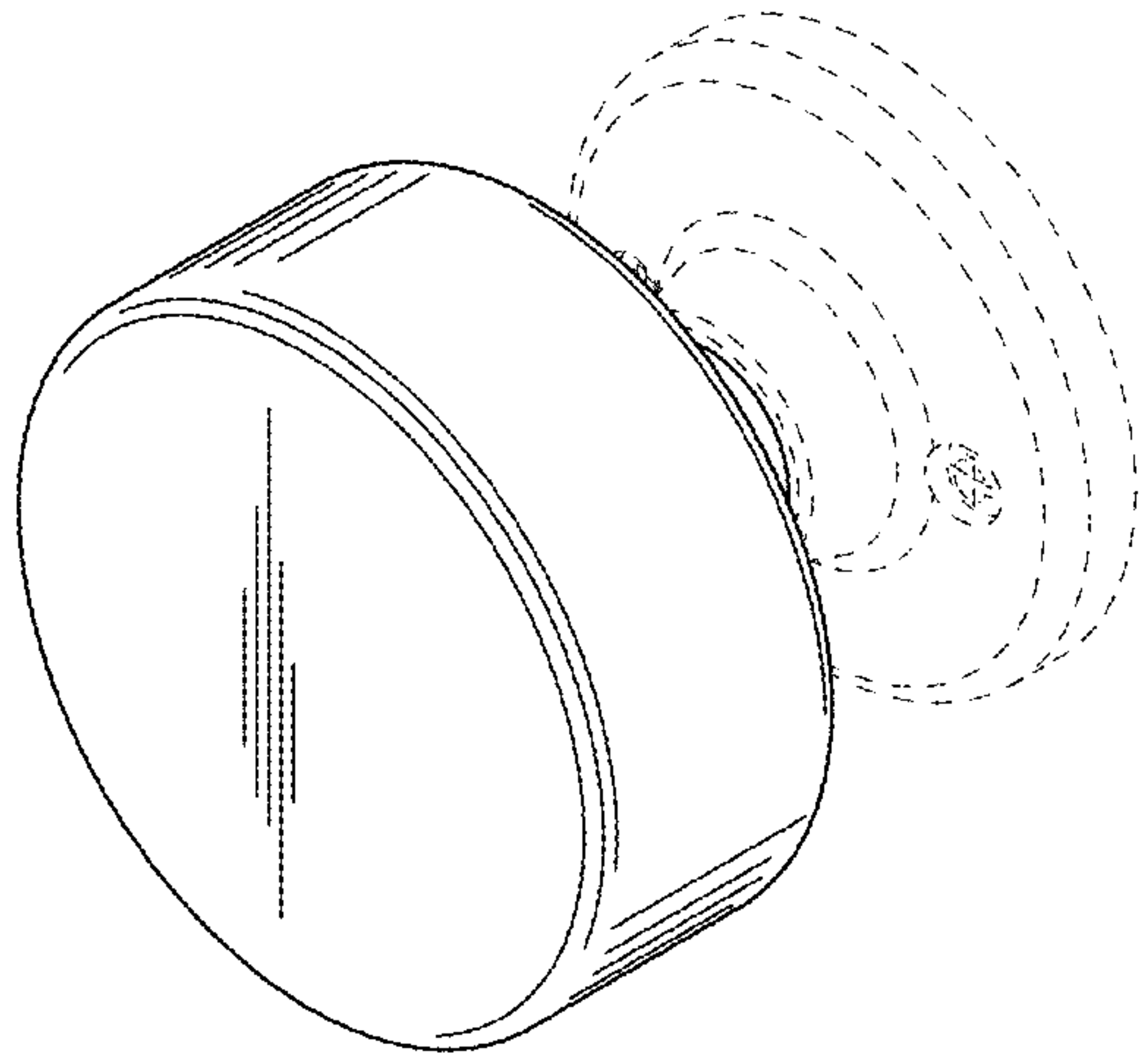


FIG. 2

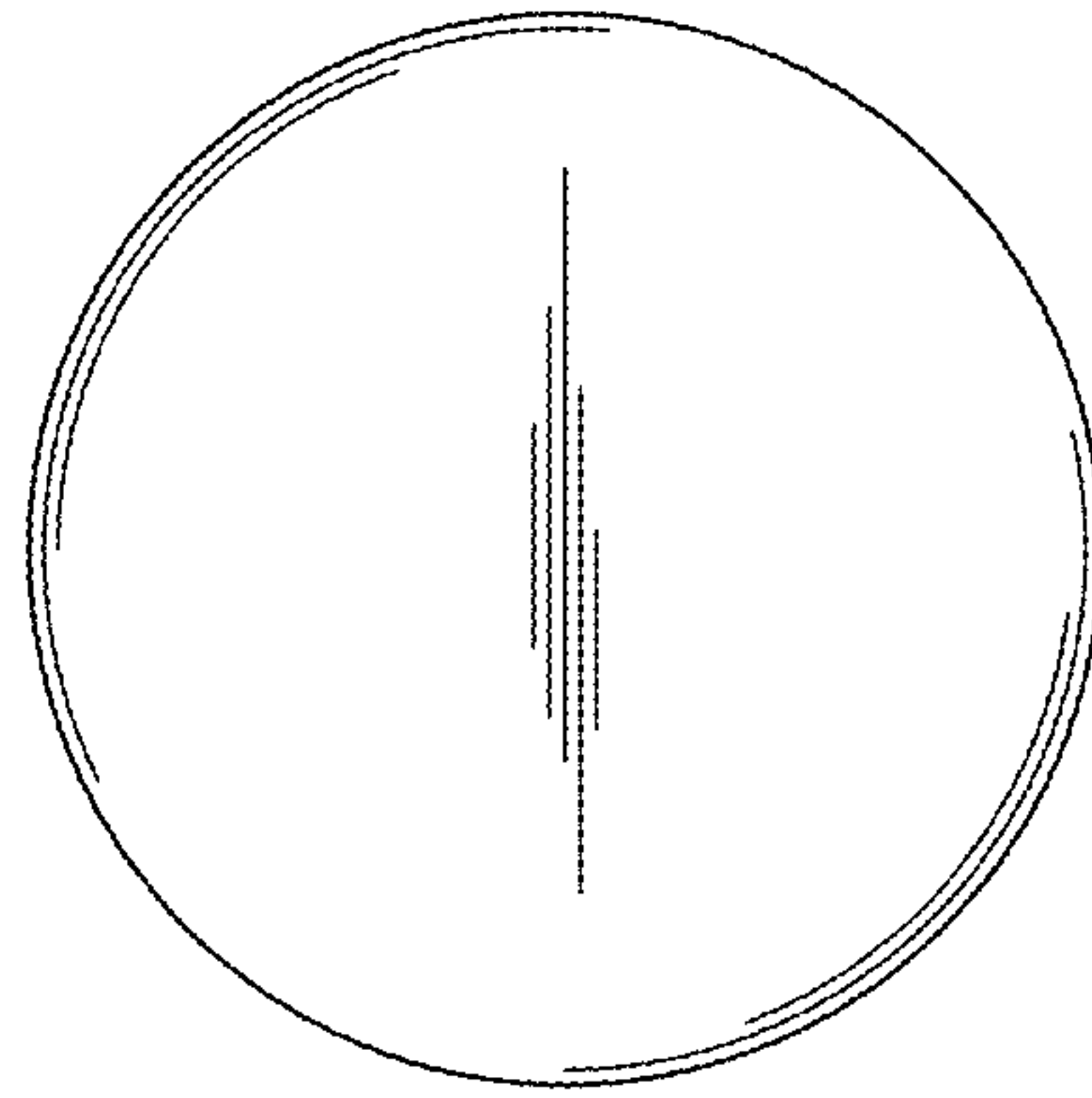


FIG. 3

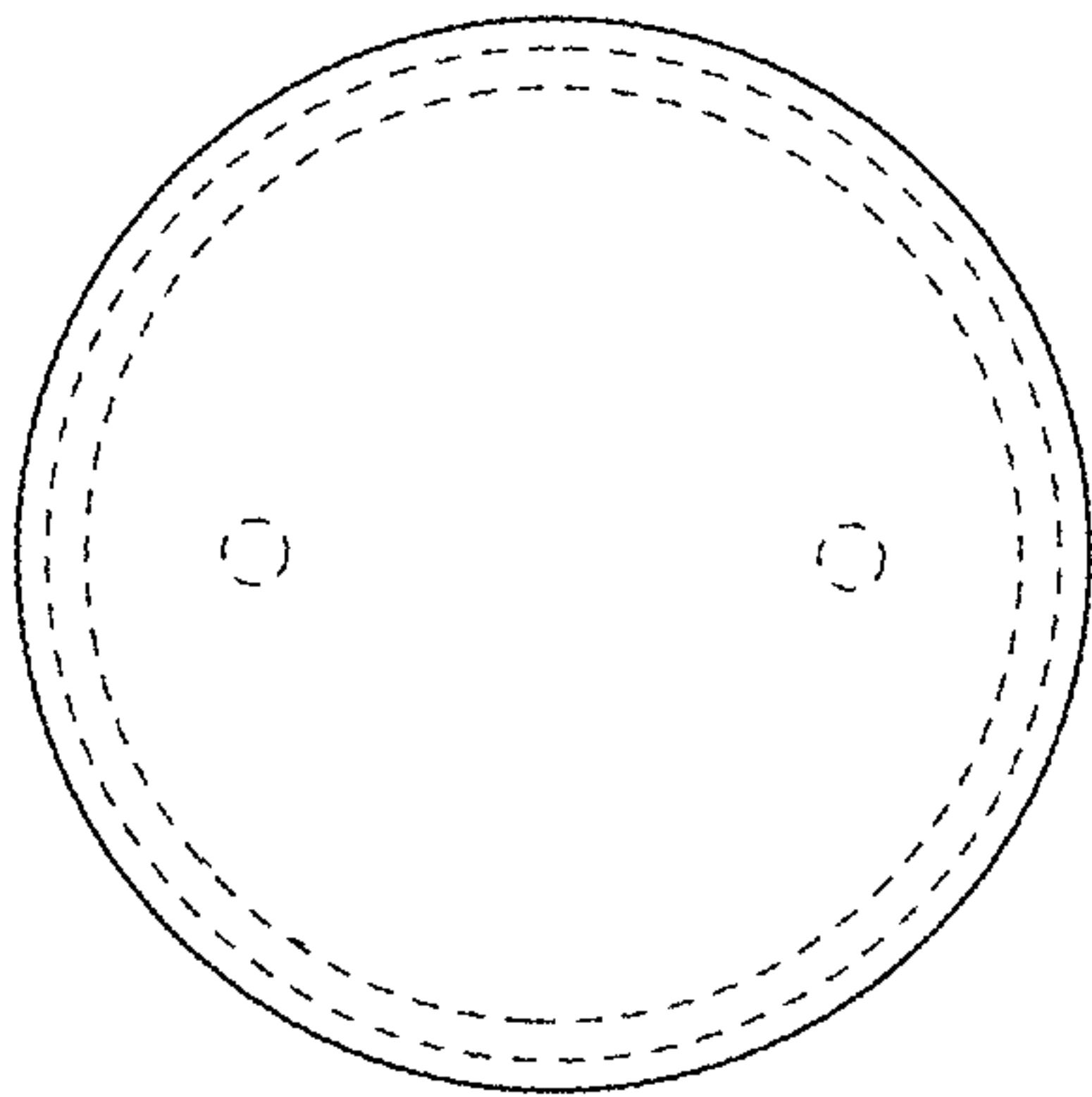


FIG. 4

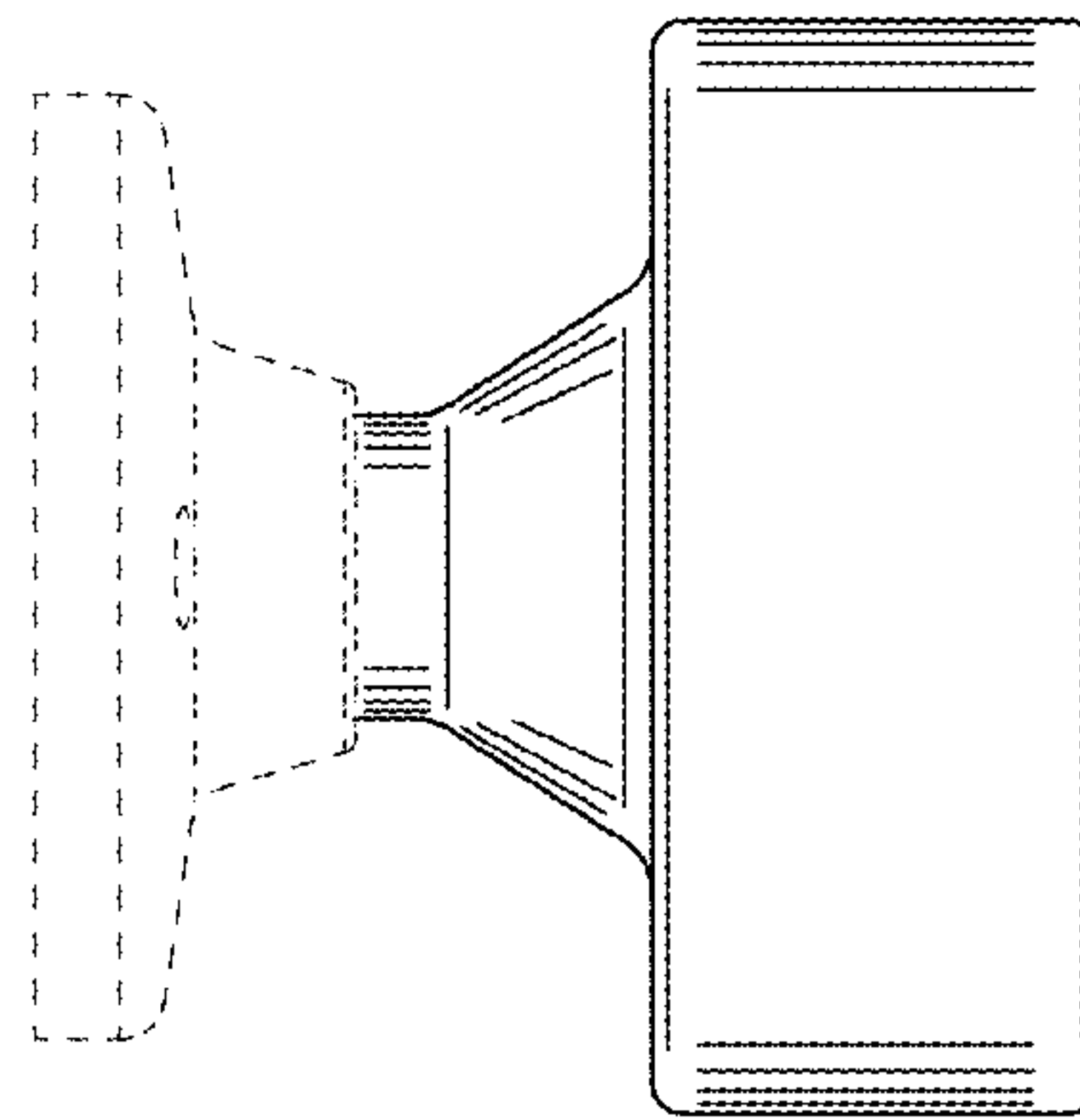


FIG. 5

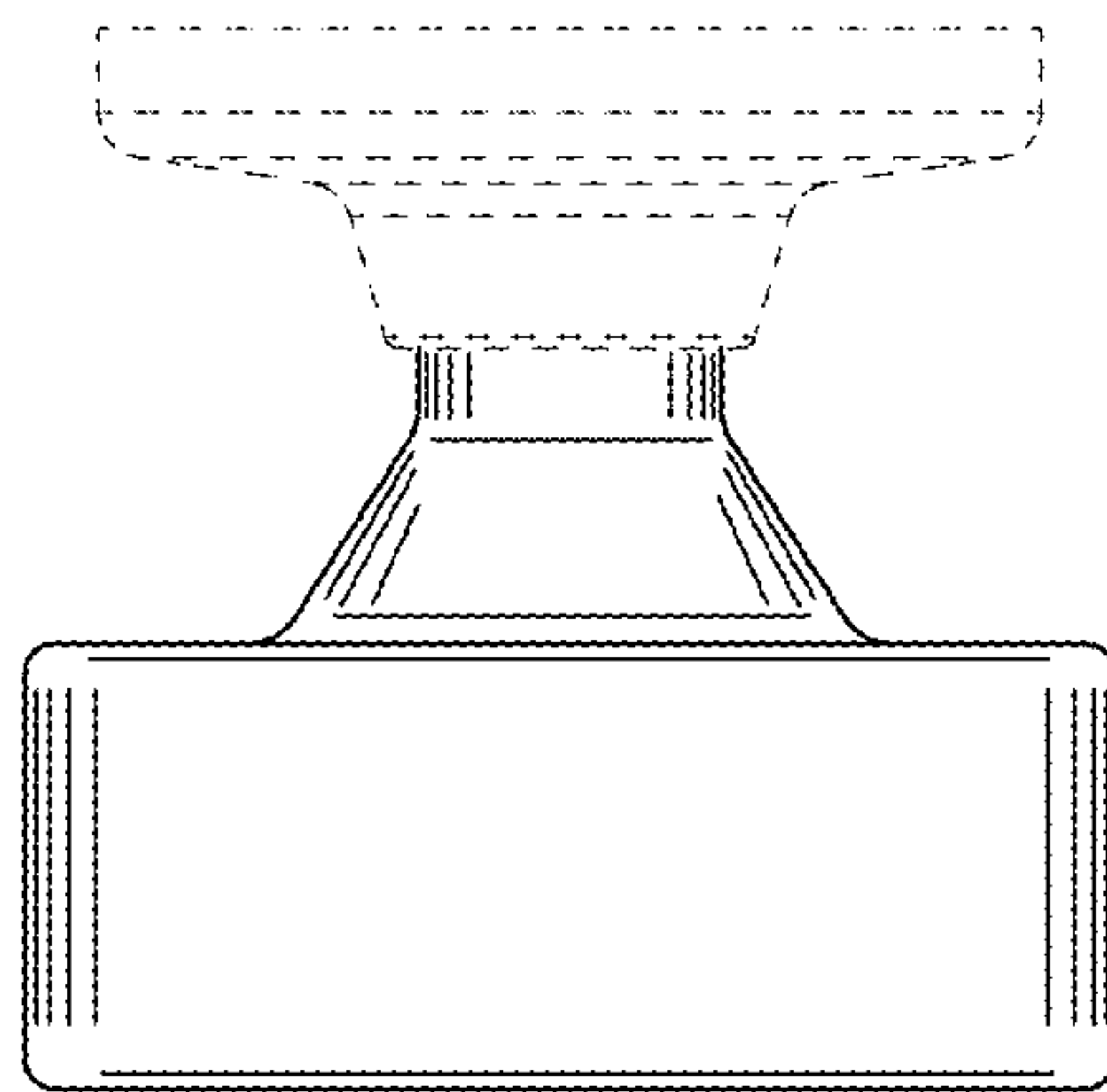


FIG. 6