



US00D797539S

(12) **United States Design Patent** (10) **Patent No.:** **US D797,539 S**  
**Lipscomb et al.** (45) **Date of Patent:** **\*\* Sep. 19, 2017**

- (54) **KNIFE PORTION**
- (71) Applicant: **Fiskars Brands, Inc.**, Madison, WI (US)
- (72) Inventors: **Daniel J. Lipscomb**, Prairie Du Sac, WI (US); **Jens N. Housley**, Stoughton, WI (US)
- (73) Assignee: **Fiskars Brands, Inc.**, Middleton, WI (US)
- (\*\*) Term: **15 Years**
- (21) Appl. No.: **29/549,978**
- (22) Filed: **Dec. 29, 2015**
- (51) **LOC (10) Cl.** ..... **08-03**
- (52) **U.S. Cl.**  
USPC ..... **D8/99**
- (58) **Field of Classification Search**  
USPC .... D8/14, 98, 107, 300, 90, 91, 45; D4/138; D7/395  
CPC .... B26B 3/00; B26B 5/00; B26B 1/00; B25G 1/005; B25G 1/102; B25G 1/105; B25G 3/02  
See application file for complete search history.

- (56) **References Cited**  
U.S. PATENT DOCUMENTS
- |               |        |           |       |                     |
|---------------|--------|-----------|-------|---------------------|
| D166,172 S *  | 3/1952 | Bureau    | ..... | 279/53              |
| 4,817,284 A * | 4/1989 | Sacherman | ..... | B26B 5/00<br>30/329 |
| D345,290 S *  | 3/1994 | Sauber    | ..... | D8/107              |
| D383,962 S *  | 9/1997 | Daley     | ..... | D19/163             |
| D411,780 S *  | 7/1999 | Muller    | ..... | D7/395              |

- |                |         |           |       |                        |
|----------------|---------|-----------|-------|------------------------|
| D427,044 S *   | 6/2000  | White     | ..... | D7/393                 |
| 6,272,708 B1 * | 8/2001  | Chen      | ..... | B25G 1/04<br>15/236.01 |
| D451,343 S *   | 12/2001 | Wentland  | ..... | D7/395                 |
| D459,150 S *   | 6/2002  | Lin       | ..... | D7/395                 |
| D482,874 S *   | 12/2003 | Dotterman | ..... | D4/138                 |
| D519,818 S *   | 5/2006  | Knopow    | ..... | D8/99                  |
| D528,897 S *   | 9/2006  | Wang      | ..... | D8/107                 |
| D532,277 S *   | 11/2006 | Shih      | ..... | D8/107                 |
| D565,917 S *   | 4/2008  | Peterson  | ..... | D8/98                  |
| D581,764 S *   | 12/2008 | Kinskey   | ..... | D8/105                 |
| D590,657 S *   | 4/2009  | Curtin    | ..... | D7/395                 |
| D617,171 S *   | 6/2010  | Chang     | ..... | D8/107                 |
| D621,237 S *   | 8/2010  | Papenfuss | ..... | D8/107                 |
| 8,056,242 B2 * | 11/2011 | Chen      | ..... | B25F 1/02<br>30/340    |
| D664,415 S *   | 7/2012  | Gomez     | ..... | D8/98                  |

\* cited by examiner

*Primary Examiner* — Phillip S Hyder  
(74) *Attorney, Agent, or Firm* — Foley & Lardner LLP

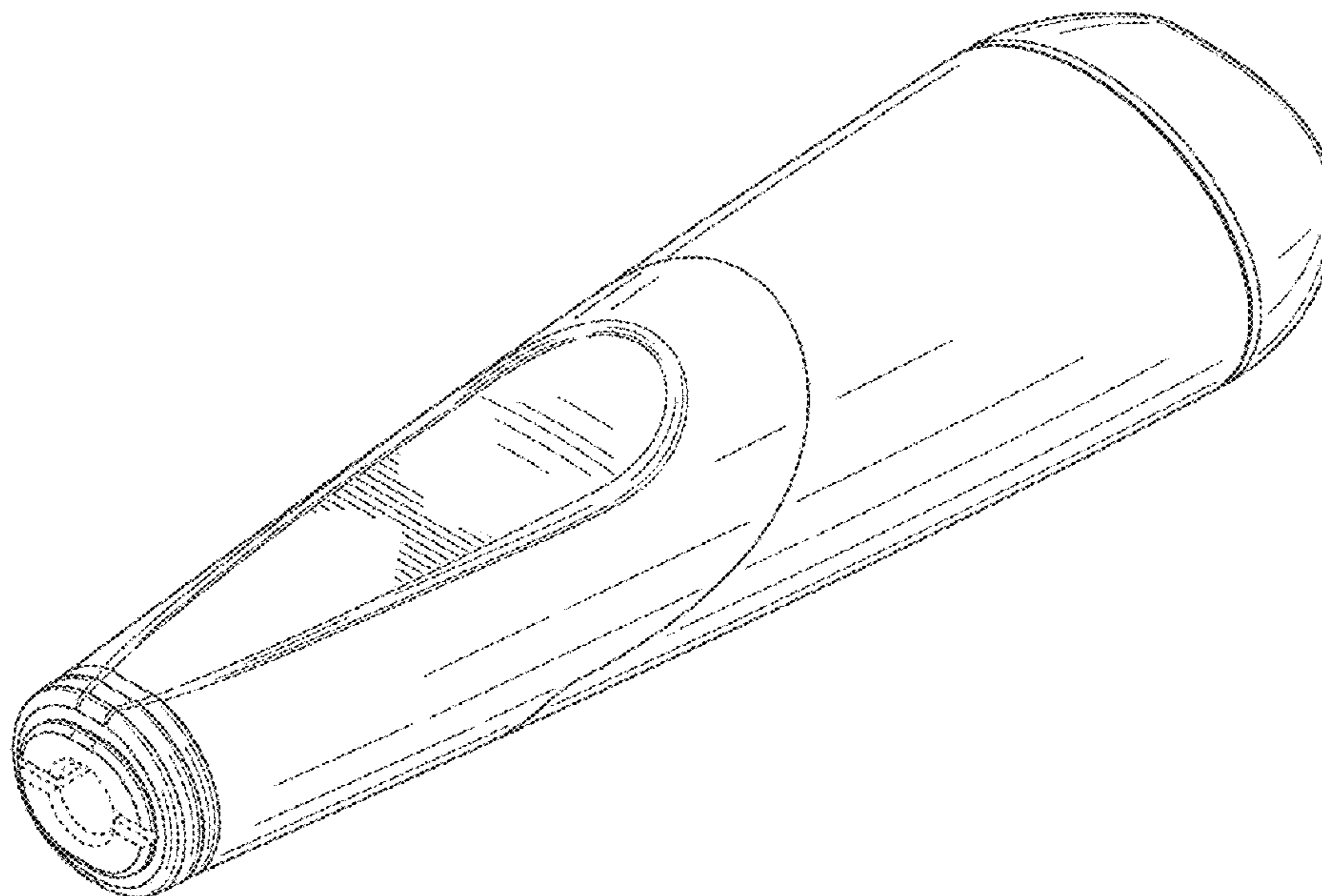
(57) **CLAIM**

We claim the ornamental design for a knife portion, as shown and described.

**DESCRIPTION**

FIG. 1 is an isometric view of a knife portion;  
FIG. 2 is a front elevational view thereof;  
FIG. 3 is a rear elevational view thereof;  
FIG. 4 is a right side elevational view thereof;  
FIG. 5 is a left side elevational view thereof;  
FIG. 6 is a top plan view thereof; and,  
FIG. 7 is a bottom plan view thereof.  
The broken lines in the drawings are for illustrative purposes only and show unclaimed portions of the claimed design.

**1 Claim, 6 Drawing Sheets**



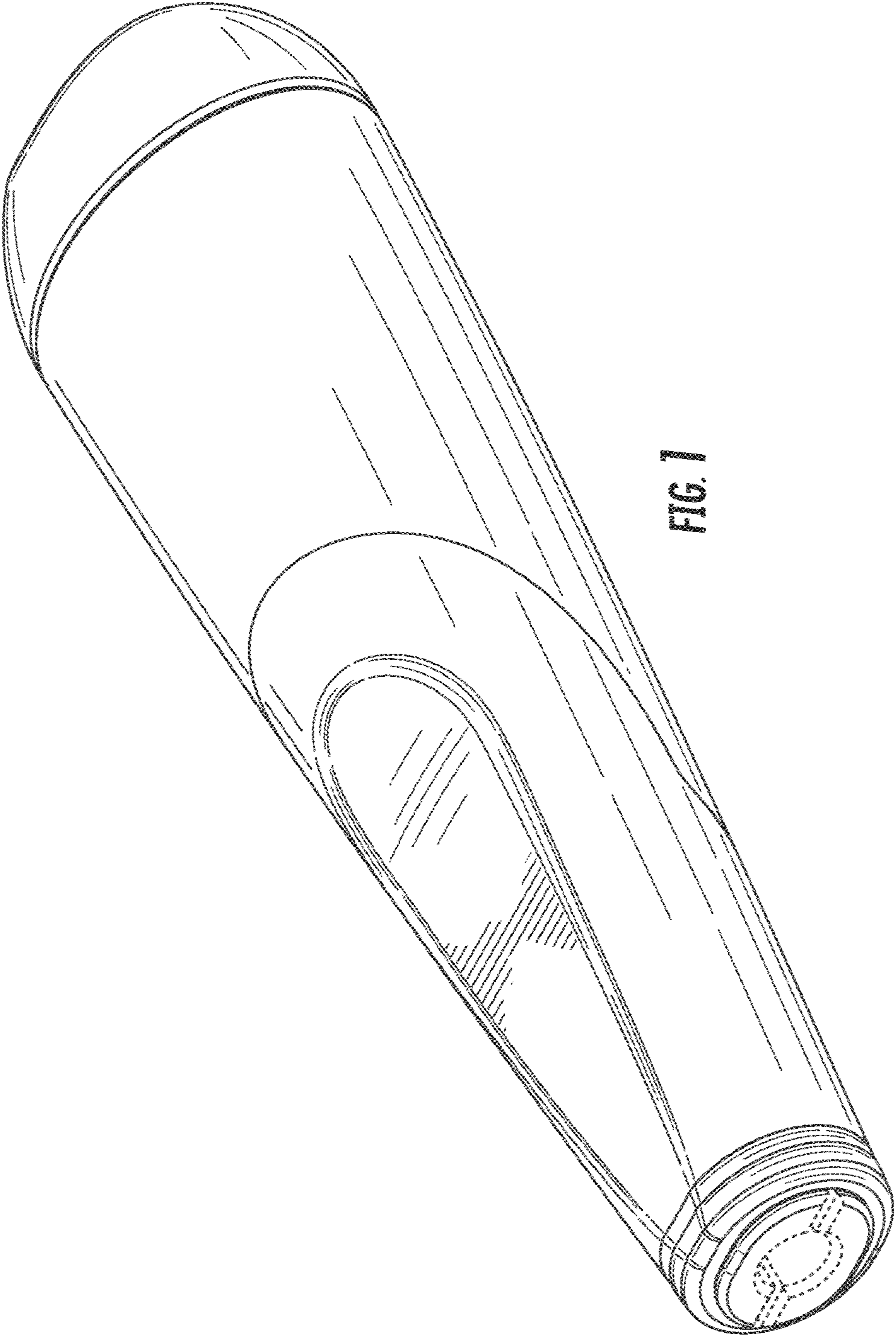
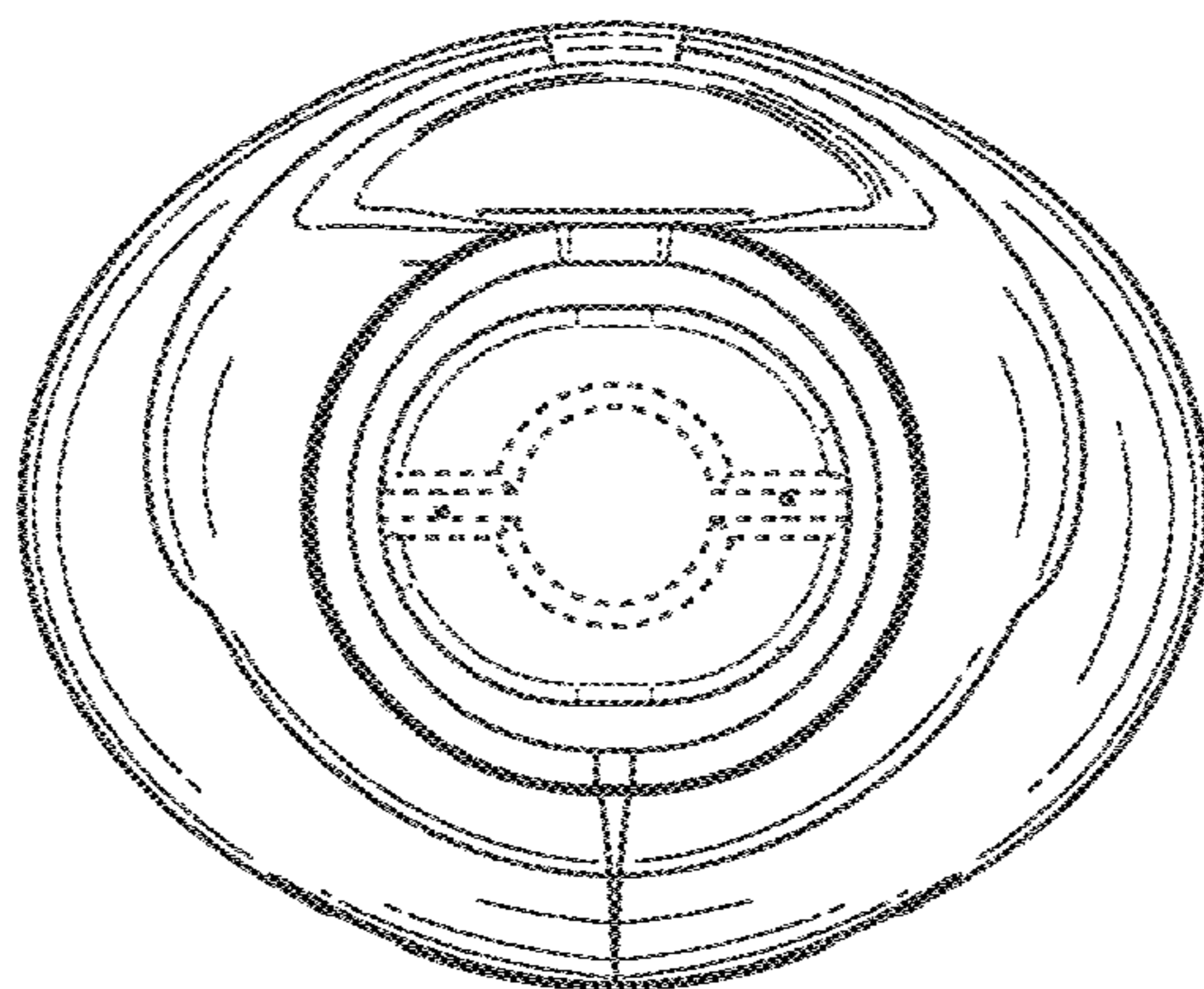
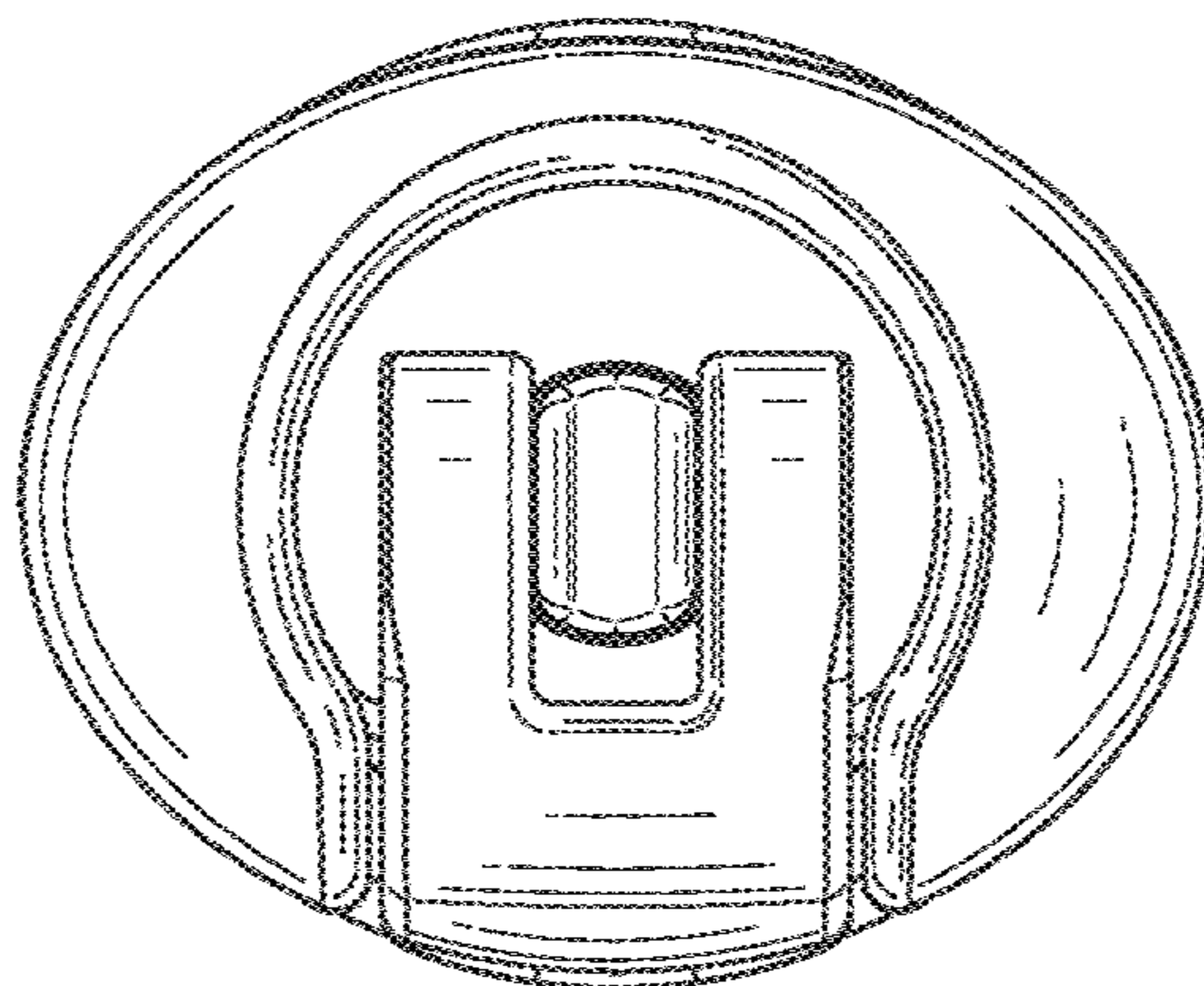


FIG. 1



**FIG. 2**



**FIG. 3**

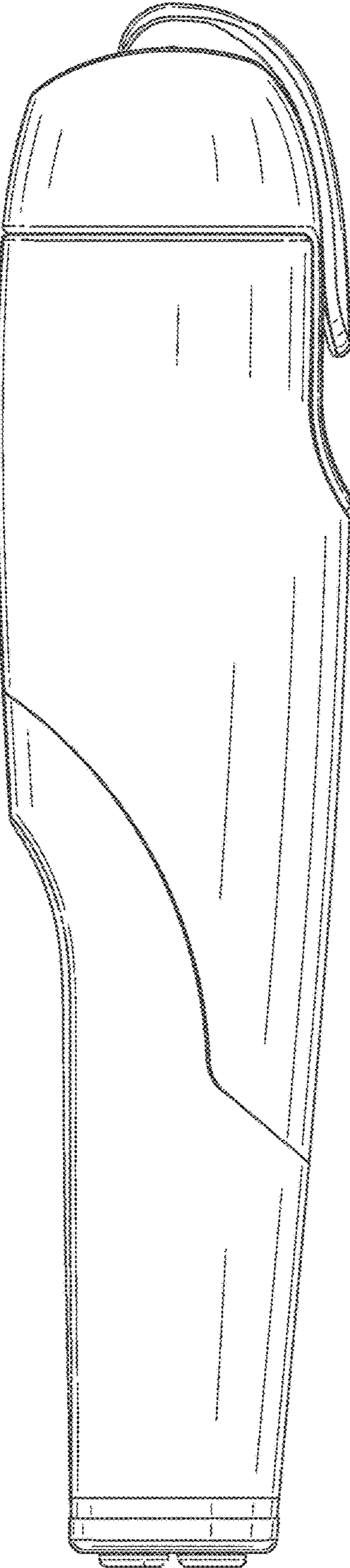


FIG. 4

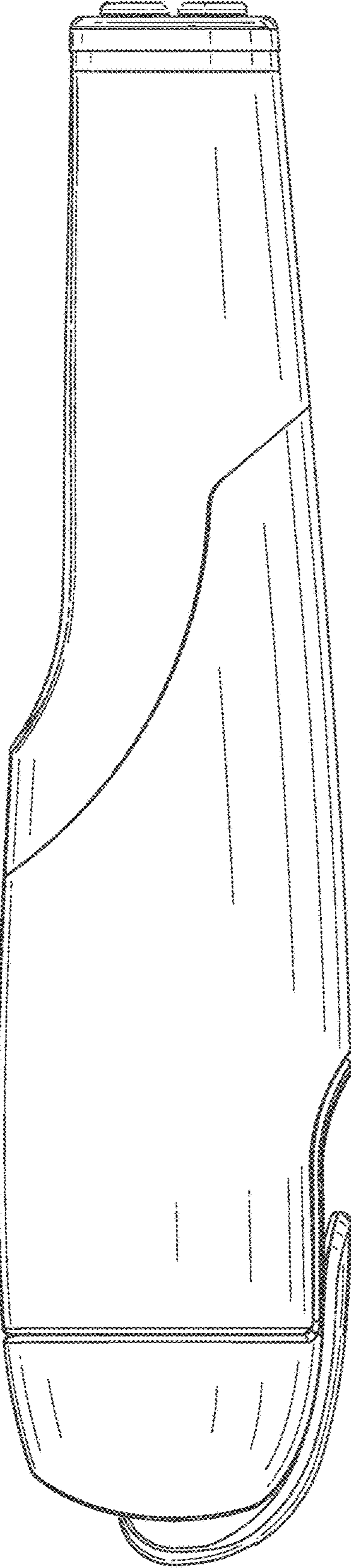


FIG. 5

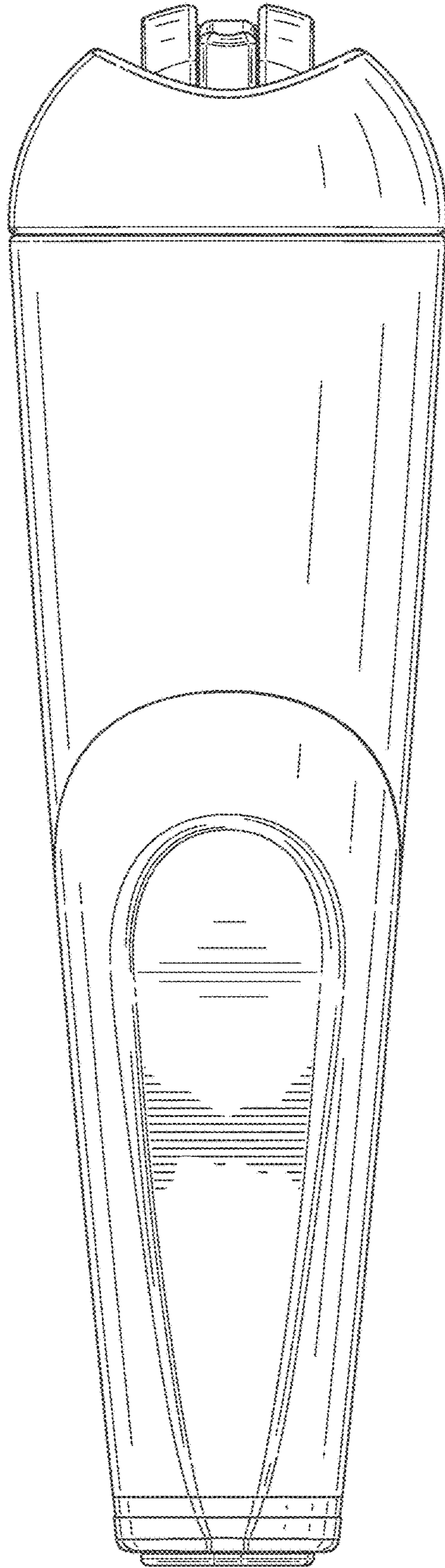


FIG. 6

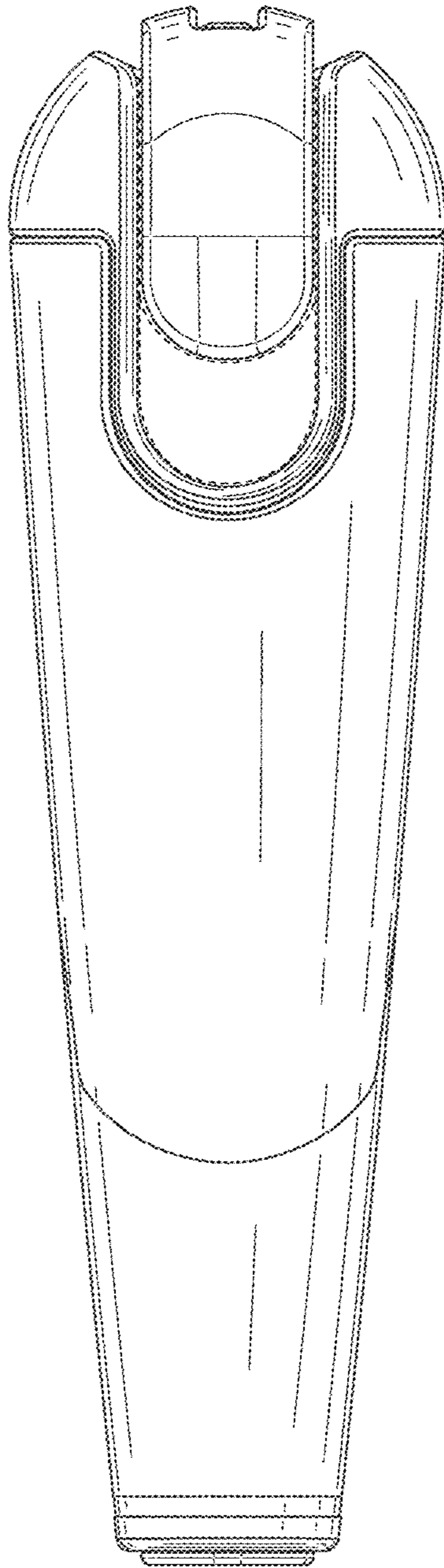


FIG. 7