



US00D797538S

(12) **United States Design Patent** (10) **Patent No.:** **US D797,538 S**
Lipscomb et al. (45) **Date of Patent:** **** Sep. 19, 2017**

(54) **KNIFE**

(71) Applicant: **Fiskars Brands, Inc.**, Madison, WI (US)

(72) Inventors: **Daniel J. Lipscomb**, Prairie Du Sac, WI (US); **Jens N. Housley**, Stoughton, WI (US)

(73) Assignee: **Fiskars Brands, Inc.**, Middleton, WI (US)

(**) Term: **15 Years**

(21) Appl. No.: **29/549,981**

(22) Filed: **Dec. 29, 2015**

(51) **LOC (10) Cl.** **08-03**

(52) **U.S. Cl.**
USPC **D8/98**

(58) **Field of Classification Search**
USPC D8/98, 99, 100, 92, 93; D22/118; D3/220
CPC B25B 1/00; B25B 3/00; B25B 5/00; B25G 3/00
See application file for complete search history.

D345,290 S * 3/1994 Sauber D8/107
D374,981 S * 10/1996 Hainsworth D3/220
D383,962 S * 9/1997 Daley D19/163
D384,724 S * 10/1997 Uke D22/118
5,784,786 A * 7/1998 Williams B26B 29/025
30/138
6,224,475 B1 * 5/2001 May B24D 15/084
30/298.4
D519,818 S * 5/2006 Knopow D8/99
D565,917 S * 4/2008 Peterson D8/98
D591,040 S * 4/2009 Foster D3/220
8,056,242 B2 * 11/2011 Chen B25F 1/02
30/340
D664,415 S * 7/2012 Gomez D8/98
8,590,427 B2 * 11/2013 Murphy B24D 15/084
206/349

* cited by examiner

Primary Examiner — Phillip S Hyder
(74) *Attorney, Agent, or Firm* — Foley & Lardner LLP

(57) **CLAIM**

We claim the ornamental design for a knife, as shown and described.

DESCRIPTION

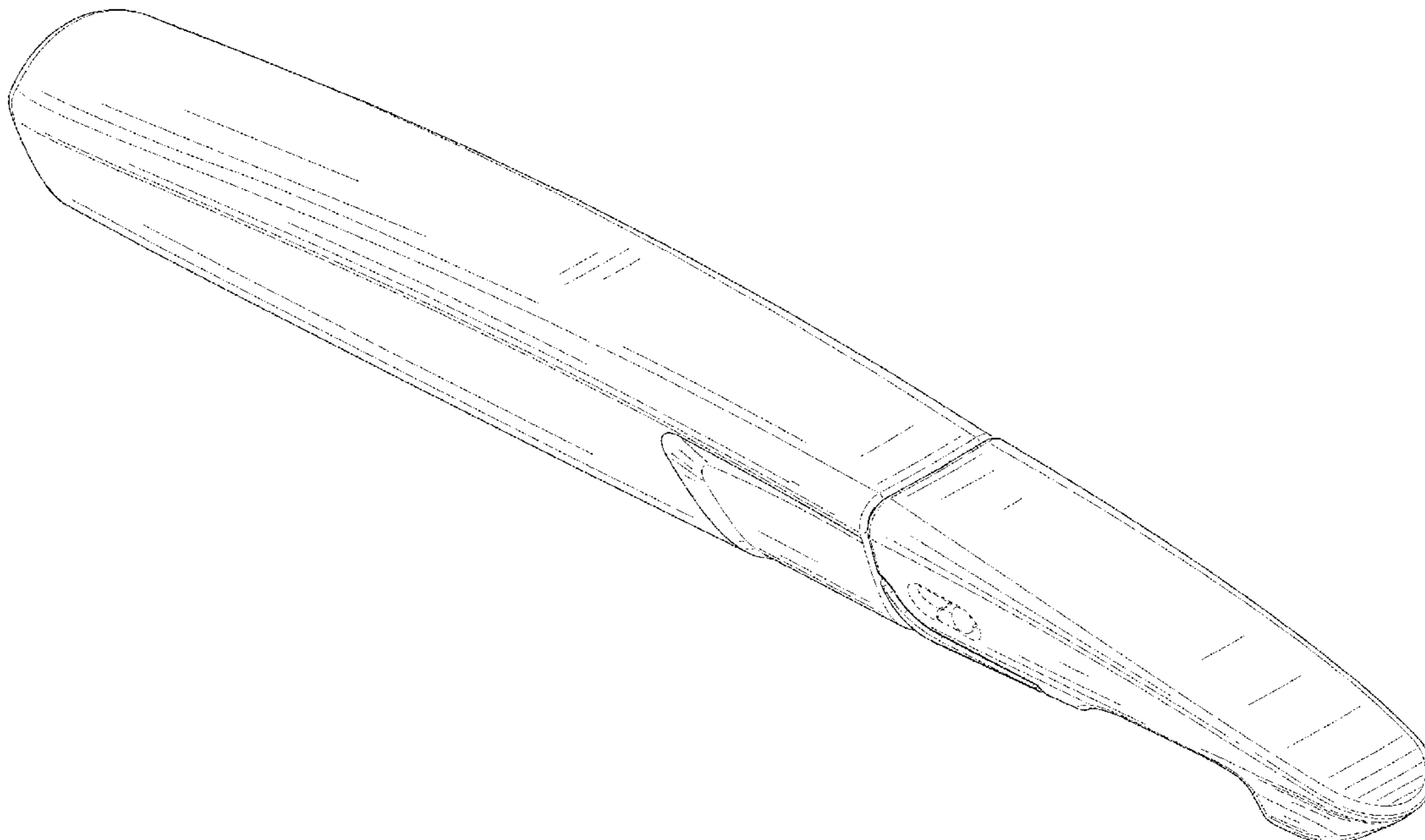
FIG. 1 is a top isometric view of a knife;
FIG. 2 is a bottom isometric view thereof;
FIG. 3 is a front elevational view thereof;
FIG. 4 is a rear elevational view thereof;
FIG. 5 is a left side elevational view thereof;
FIG. 6 is a right side elevational view thereof;
FIG. 7 is a top plan view thereof; and,
FIG. 8 is a bottom plan view thereof.
The broken lines in the drawings are for illustrative purposes only and show unclaimed portions of the claimed design.

1 Claim, 7 Drawing Sheets

(56) **References Cited**

U.S. PATENT DOCUMENTS

D166,172 S * 3/1952 Bureau 279/53
D279,951 S * 8/1985 Winyard D7/638
4,805,350 A * 2/1989 Farrer B24D 15/084
30/138
4,817,284 A * 4/1989 Sacherman B26B 5/00
30/329
D330,491 S * 10/1992 Worsfold D7/638
D339,963 S * 10/1993 Roberts D7/638



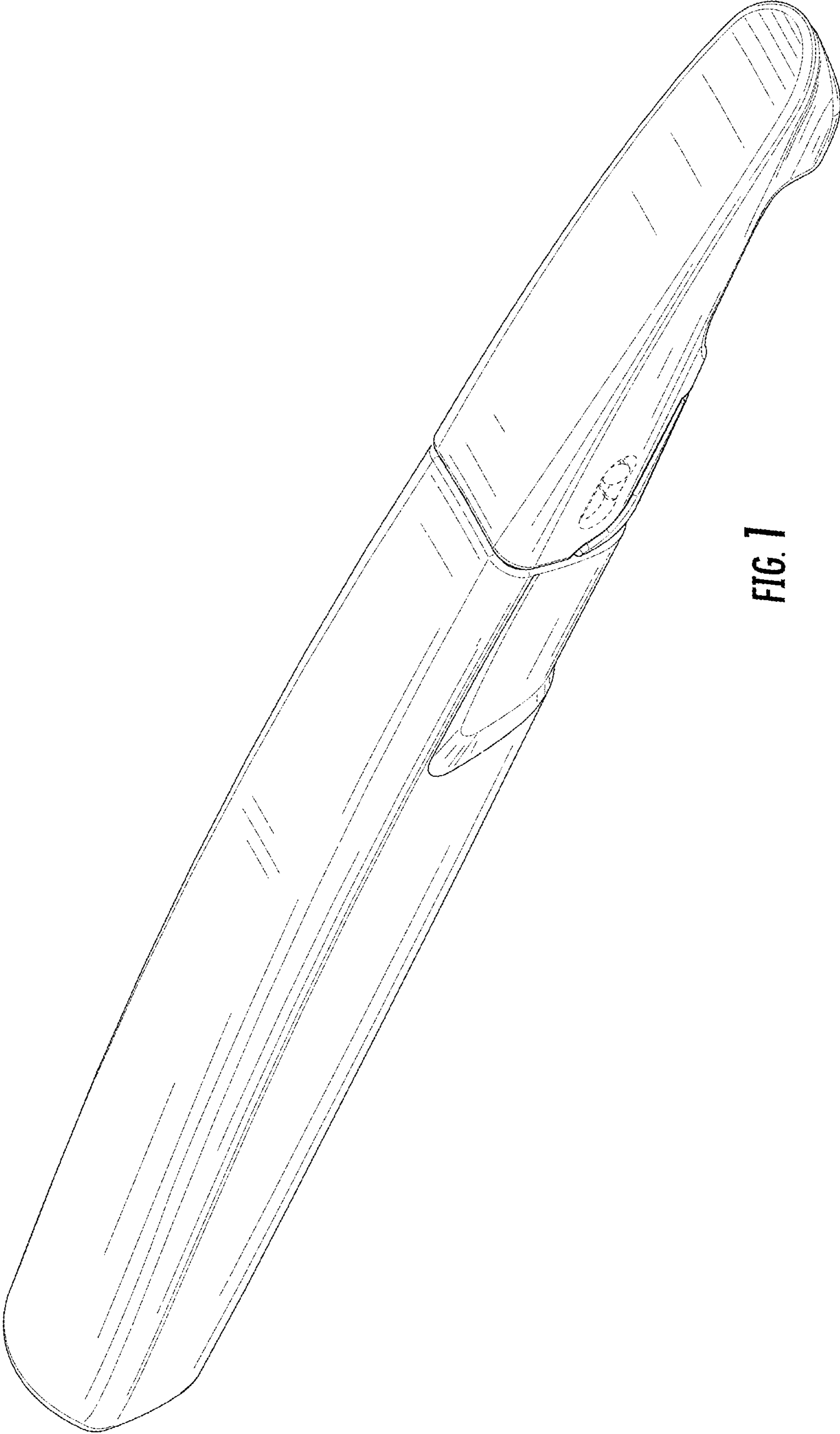


FIG. 1

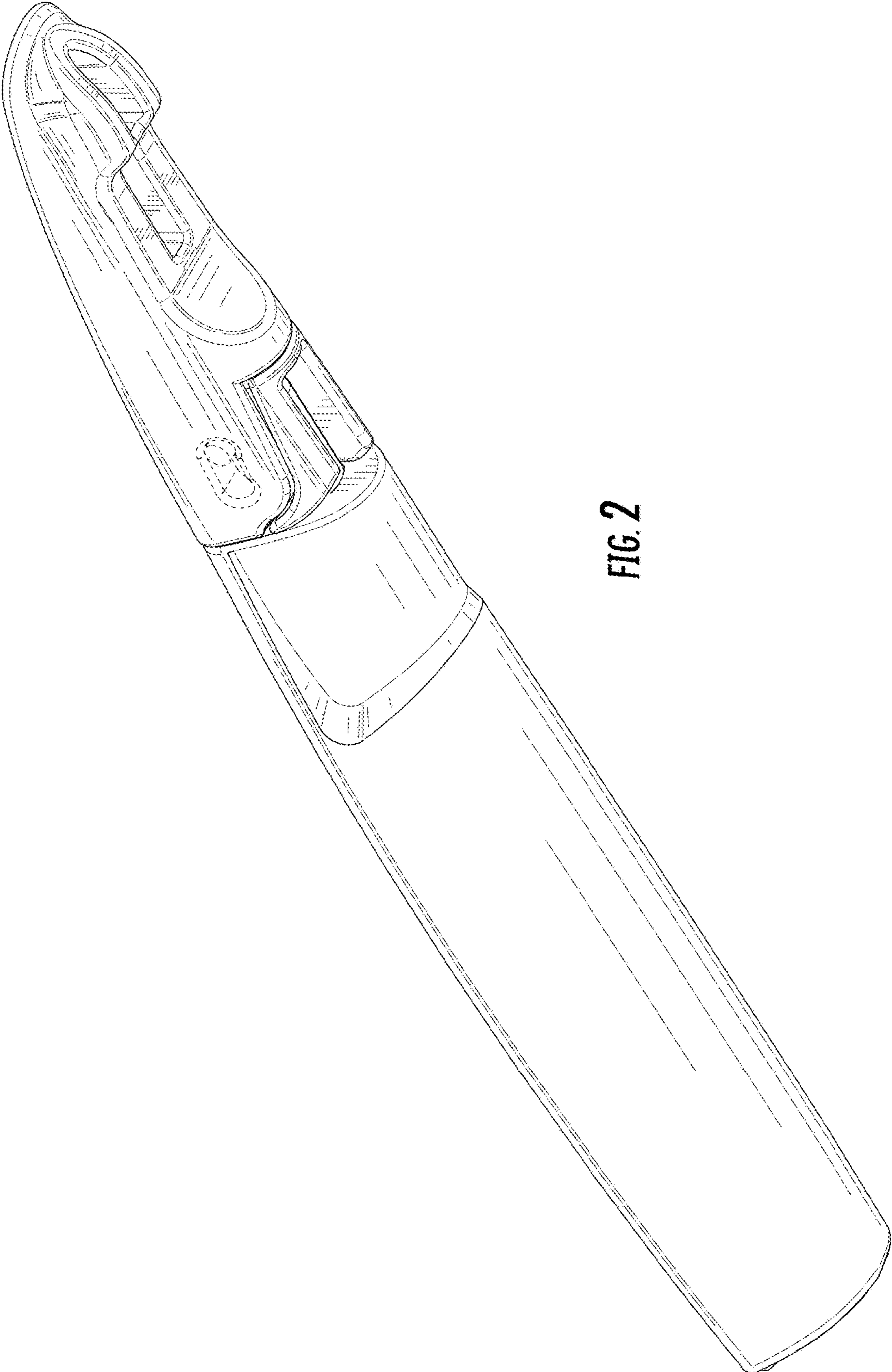


FIG. 2

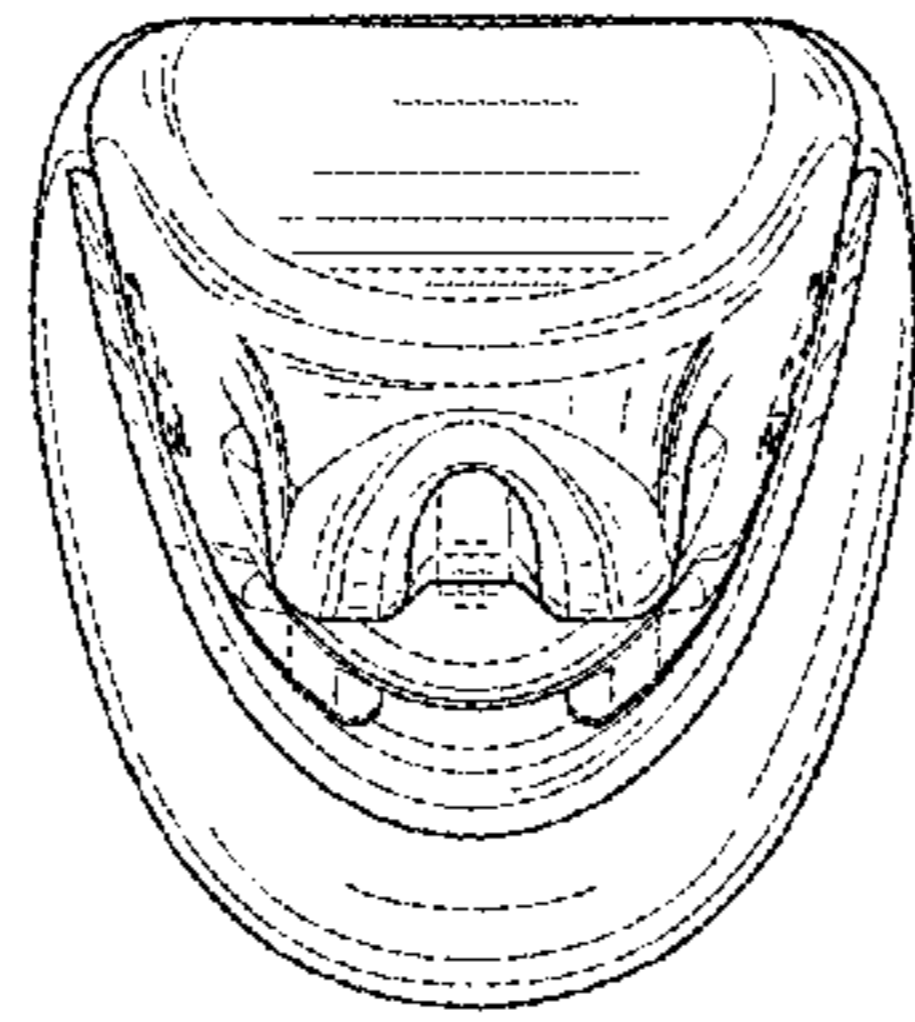


FIG. 3

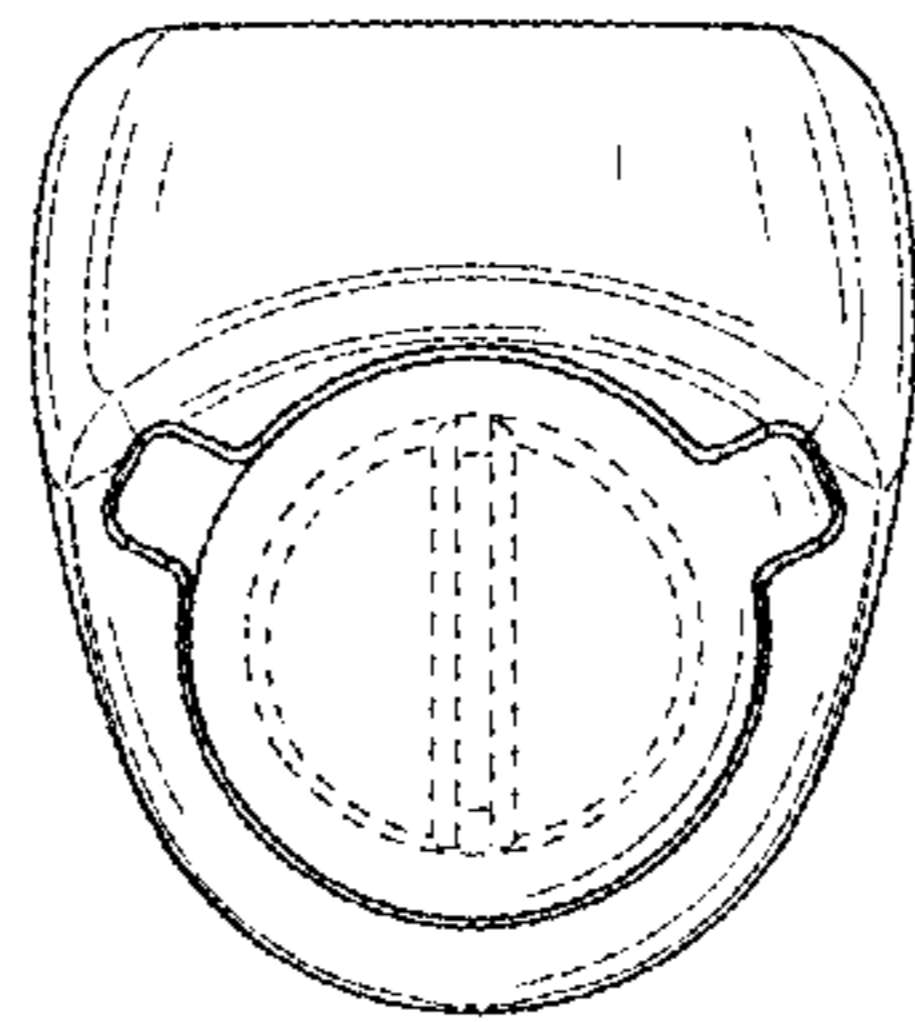


FIG. 4

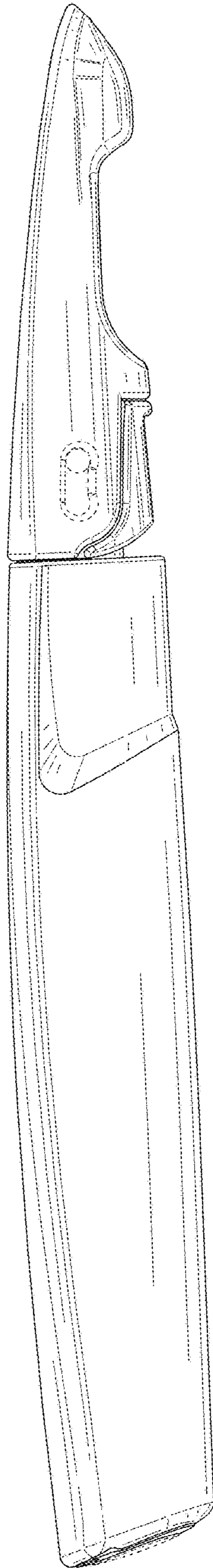


FIG. 5

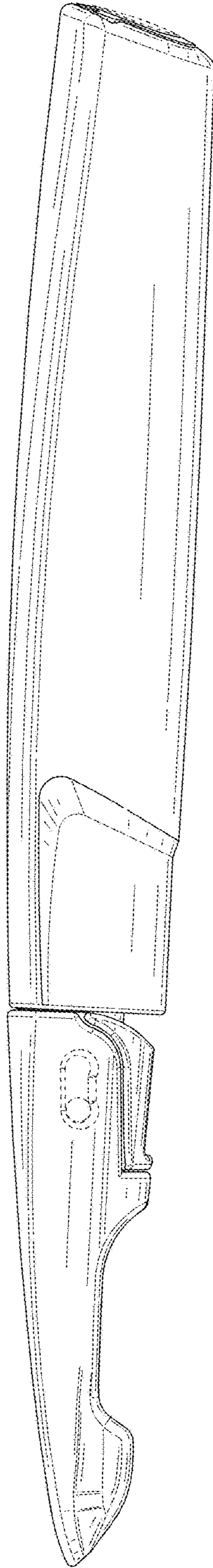


FIG. 6

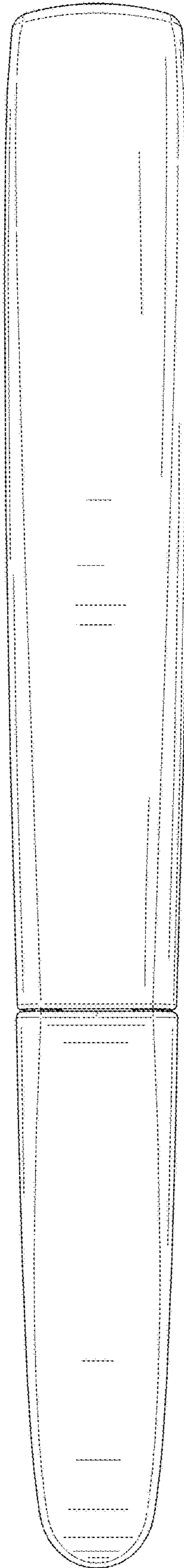


FIG. 7

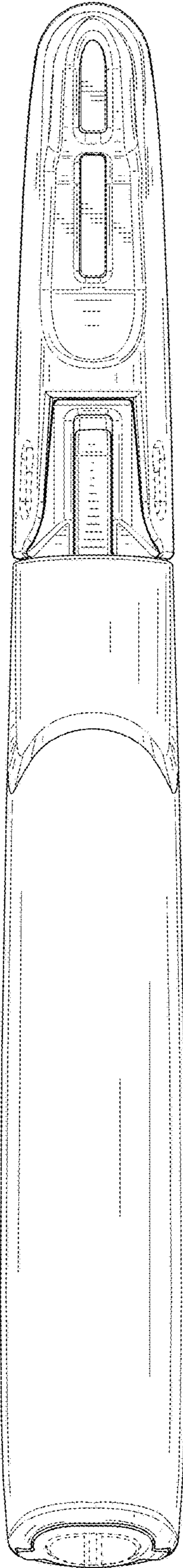


FIG. 8