



US00D797537S

(12) **United States Design Patent** (10) **Patent No.:** **US D797,537 S**
Cooper et al. (45) **Date of Patent:** **** Sep. 19, 2017**

(54) **VEHICLE SIDE MIRROR**
(71) Applicant: **GM GLOBAL TECHNOLOGY OPERATIONS LLC**, Detroit, MI (US)
(72) Inventors: **Stuart Cooper**, Bloomfield Hills, MI (US); **Timothy P. Kozub**, Troy, MI (US)
(73) Assignee: **GM Global Technology Operations LLC**, Detroit, MI (US)
(**) Term: **15 Years**
(21) Appl. No.: **29/543,520**
(22) Filed: **Oct. 26, 2015**
(51) **LOC (10) Cl.** **12-06**
(52) **U.S. Cl.**
USPC **D8/87**
(58) **Field of Classification Search**
USPC D12/187, 188, 189
CPC B60R 1/074; B60R 1/076; B60R 1/078;
B60R 1/08; B60R 1/081; B60R 1/082
See application file for complete search history.

(56) **References Cited**

U.S. PATENT DOCUMENTS

D506,424 S * 6/2005 Kuo D12/187
D552,019 S * 10/2007 Kubota D12/187
D570,742 S 6/2008 Takagi et al.
D592,105 S 5/2009 Dean et al.
D597,447 S 8/2009 Folden
D597,460 S * 8/2009 George D12/187
D600,595 S 9/2009 Nakamura et al.
D601,925 S 10/2009 O'Donnell
D603,755 S 11/2009 Peters
D604,203 S 11/2009 O'Donnell
D605,082 S 12/2009 Munson
D605,083 S 12/2009 Manoogian, II et al.
D605,977 S 12/2009 Zipfel et al.

D605,978 S 12/2009 Wolff et al.
D608,249 S 1/2010 Peters
D608,690 S 1/2010 Folden et al.
D608,691 S 1/2010 Zak, Jr. et al.
D609,608 S 2/2010 Boniface et al.
D611,387 S 3/2010 Thompson et al.
D611,879 S 3/2010 Kim et al.
D612,297 S 3/2010 Peters et al.
D613,645 S 4/2010 Song et al.
D615,458 S 5/2010 Thompson et al.
D618,595 S 6/2010 Ware et al.
D619,946 S * 7/2010 Lamm D12/187
D623,090 S 9/2010 Cox et al.
D627,262 S 11/2010 Ikeda et al.
D635,488 S 4/2011 Phipps
D644,147 S 8/2011 Suh et al.
D644,567 S 9/2011 Kozub
D654,414 S * 2/2012 Elmitt D12/187
D657,718 S 4/2012 Zipfel et al.
D659,052 S 5/2012 Ware et al.
D659,053 S 5/2012 Ware et al.
D666,542 S * 9/2012 Asano D12/187
D668,182 S 10/2012 Barba Franco
D668,183 S 10/2012 Smart

(Continued)

Primary Examiner — Phillip S Hyder
(74) *Attorney, Agent, or Firm* — Reising Ethington P.C.

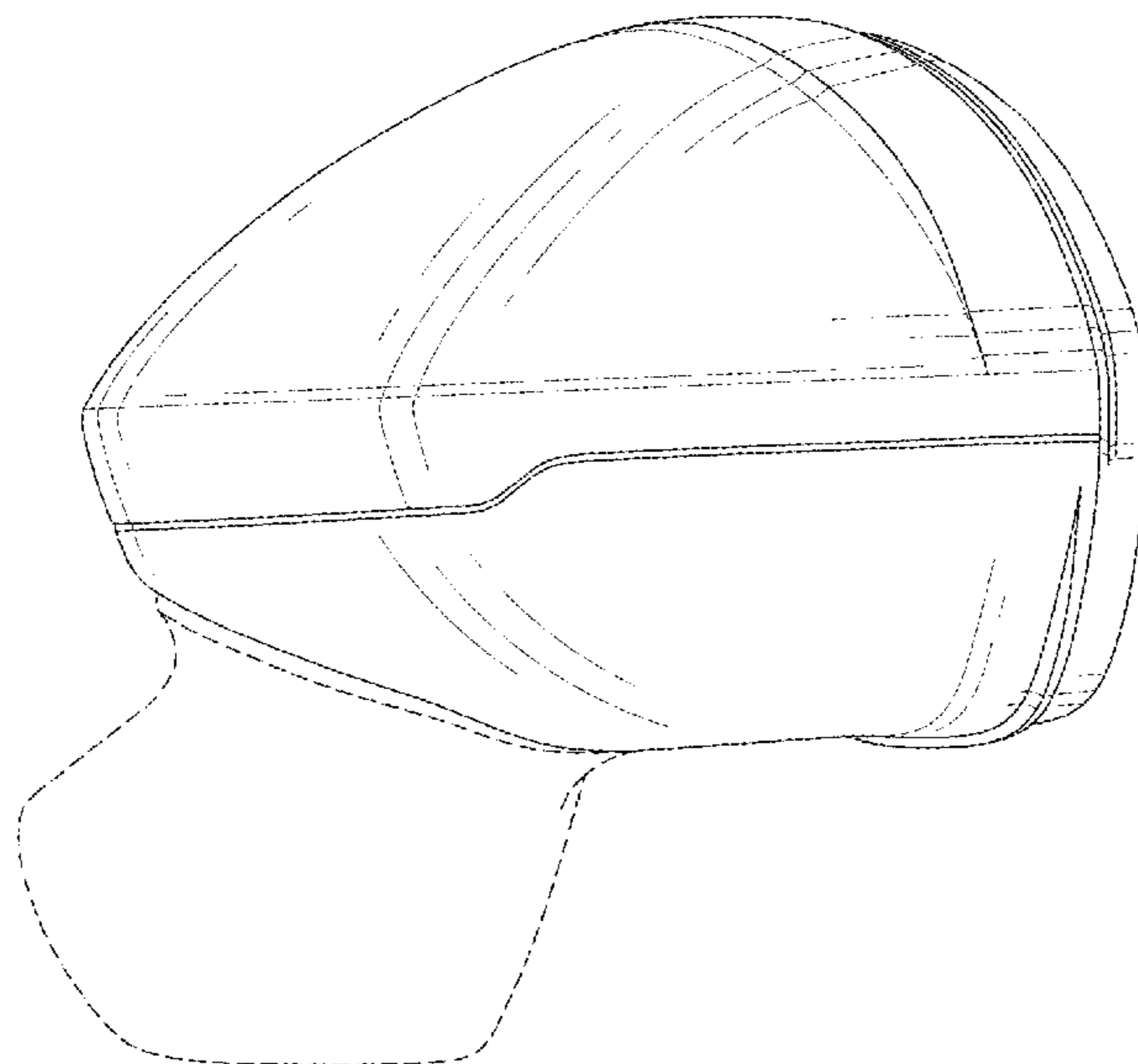
(57) **CLAIM**

The ornamental design for a vehicle side mirror, as shown and described.

DESCRIPTION

FIG. 1 is a perspective view of the vehicle side mirror;
FIG. 2 is a rear view thereof;
FIG. 3 is a top plan view thereof; and,
FIG. 4 is a front view thereof.
The broken lines shown in the drawings depict portions of the vehicle side mirror that form no part of the claimed design.

1 Claim, 2 Drawing Sheets



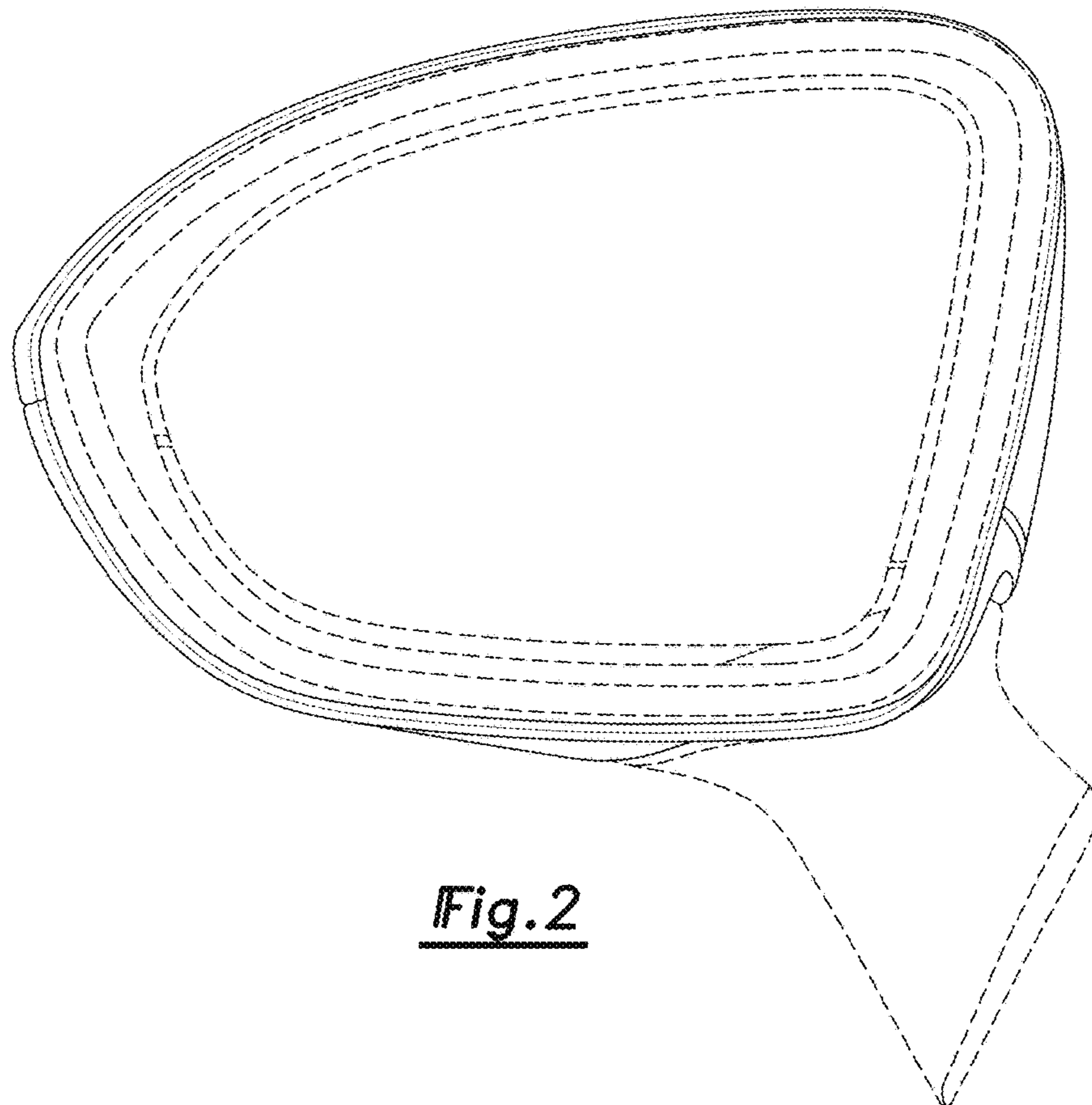
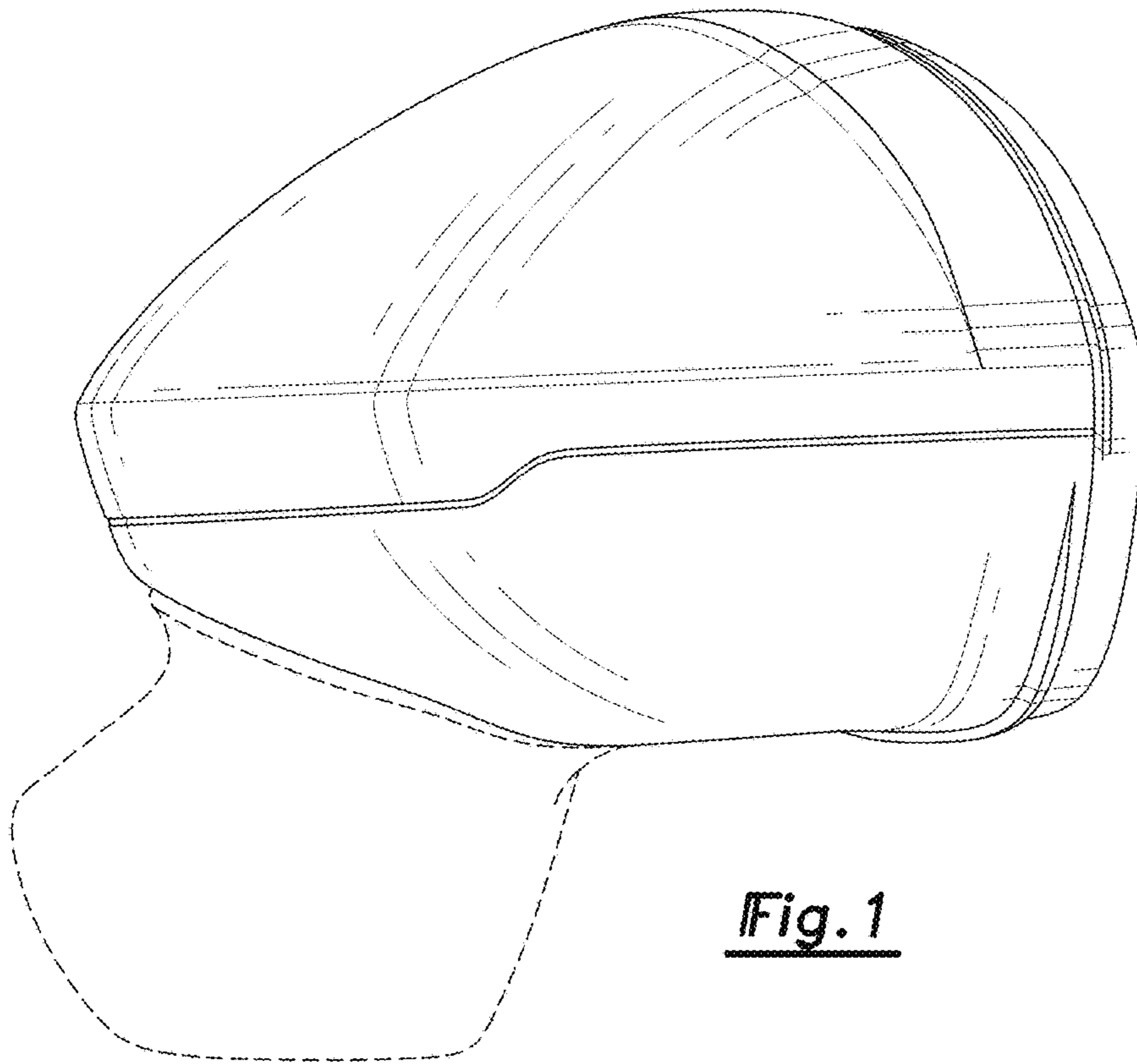
(56)

References Cited

U.S. PATENT DOCUMENTS

D678,820 S	3/2013	Son et al.		D718,189 S	11/2014	Krieg et al.	
D678,821 S	3/2013	Ikeda et al.		D718,683 S	12/2014	Thole et al.	
D680,909 S	4/2013	Munson et al.		D722,282 S	2/2015	Loeb	
D680,910 S	4/2013	David		D722,533 S	2/2015	Thole et al.	
D684,899 S	6/2013	Baker		D722,534 S	2/2015	Munson et al.	
D686,536 S	7/2013	McCabe et al.		D724,510 S	3/2015	McMahan et al.	
D691,531 S *	10/2013	Rupar	D12/187	D725,001 S	3/2015	McMahan et al.	
D692,798 S	11/2013	Thurber		D726,591 S	4/2015	Jacob	
D692,799 S	11/2013	Smith et al.		D730,776 S	6/2015	Smart	
D696,157 S	12/2013	Loeb		D730,783 S	6/2015	Henriques et al.	
D699,629 S	2/2014	Ikeda et al.		D732,427 S	6/2015	Loeb	
D700,871 S	3/2014	O'Donnell et al.		D732,429 S	6/2015	Loeb	
D703,103 S	4/2014	Lee		D732,430 S	6/2015	Loeb	
D704,103 S	5/2014	Mack et al.		D732,431 S	6/2015	Loeb	
D705,132 S	5/2014	Ware et al.		D732,432 S	6/2015	Aengenheyster	
D705,699 S	5/2014	Ware et al.		D732,433 S	6/2015	Aengenheyster	
D710,775 S *	8/2014	Minamisawa	D12/187	D732,435 S	6/2015	Mackay	
D713,298 S	9/2014	Dyson		D733,002 S	6/2015	Loeb	
D713,764 S	9/2014	Ferlazzo		D735,611 S	8/2015	Aengenheyster	
D713,769 S *	9/2014	Knothe	D12/187	D735,627 S	8/2015	Smith	
D716,696 S	11/2014	Thole et al.		D736,451 S	8/2015	Smith	
D716,706 S	11/2014	Thole et al.		D739,306 S	9/2015	McMahan et al.	
D716,709 S	11/2014	Thole et al.		D739,317 S	9/2015	McMahan et al.	
D717,696 S	11/2014	Thole et al.		D741,223 S	10/2015	Kim et al.	
				D761,172 S *	7/2016	Kim	D12/187
				2009/0015955 A1 *	1/2009	Muller	B60R 1/06 359/871

* cited by examiner



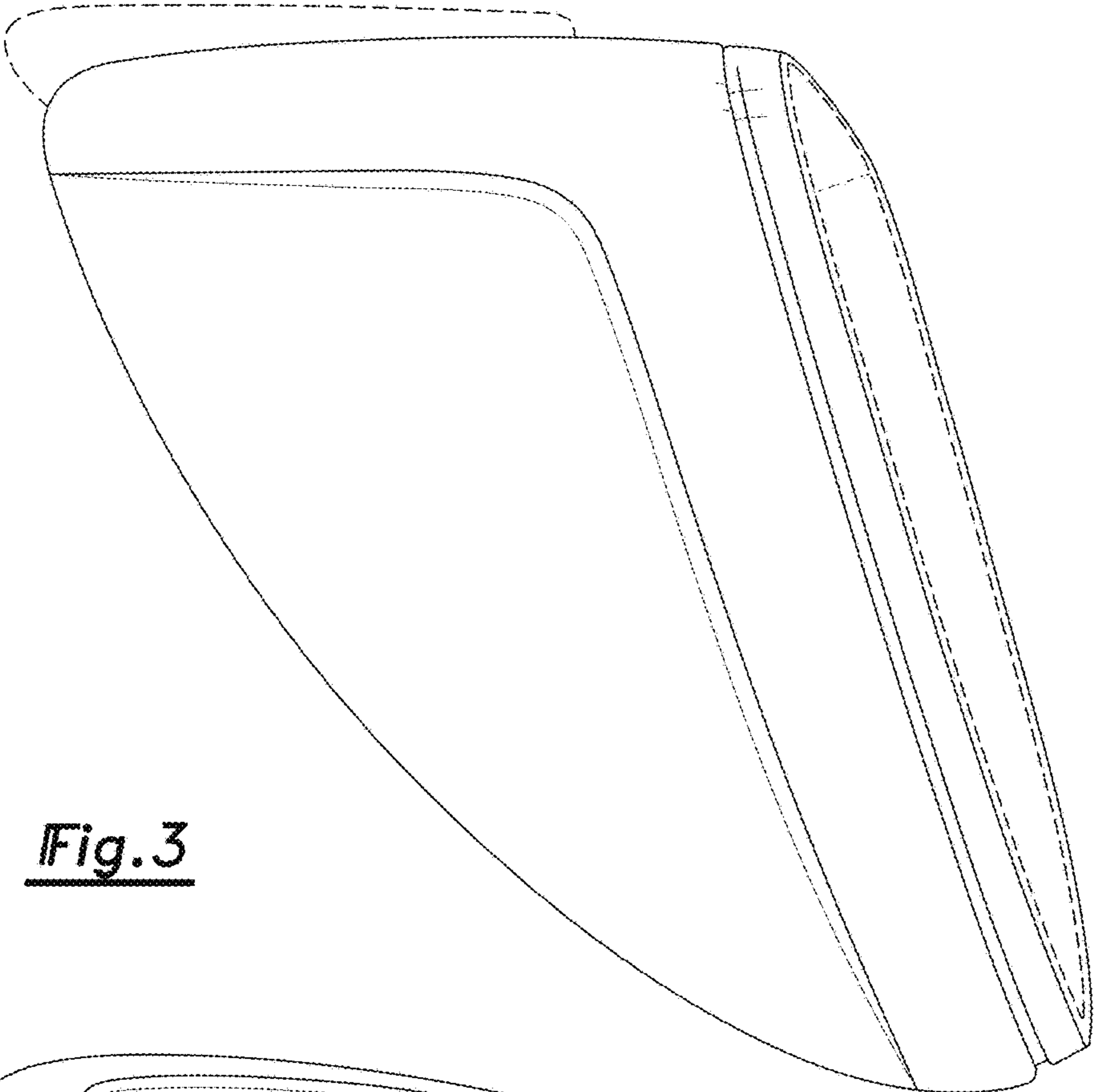


Fig. 3

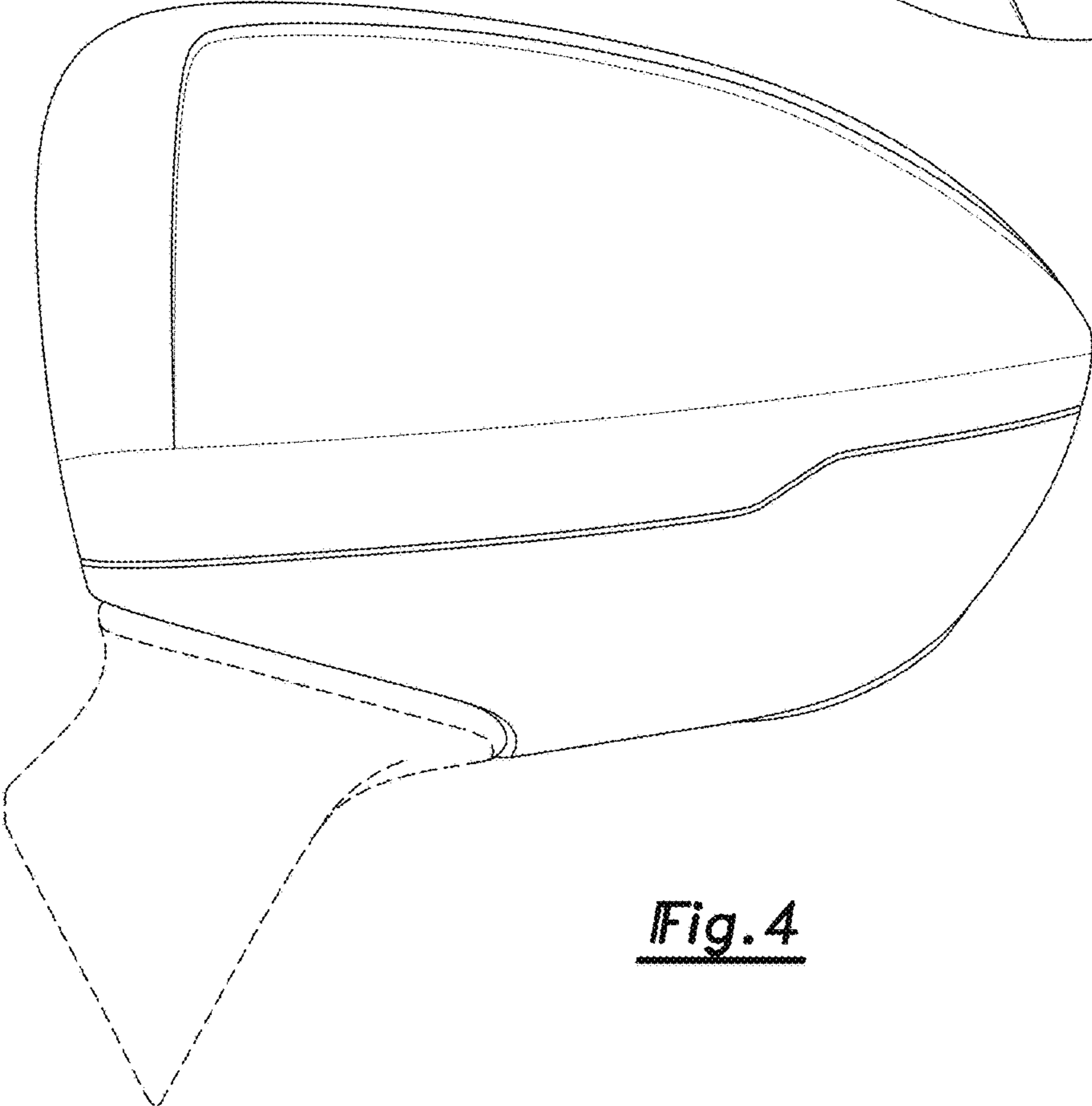


Fig. 4