



US00D797536S

(12) **United States Design Patent** (10) **Patent No.:** **US D797,536 S**
Jost et al. (45) **Date of Patent:** **** Sep. 19, 2017**

(54) **CHISEL HOLDER**
(71) Applicant: **Wirtgen GmbH**, Windhagen (DE)
(72) Inventors: **Andreas Jost**, Koenigswinter (DE);
Thomas Lehnert, Oberraden (DE);
Cyrus Barimani, Koenigswinter (DE);
Günter Hähn, Koenigswinter (DE)

D575,610 S 8/2008 Holl et al.
D585,259 S 1/2009 Holl et al.
7,537,288 B2 5/2009 Chiang
D657,648 S * 4/2012 Wachsmann D8/71
D666,226 S * 8/2012 Buhr D15/140
D666,641 S 9/2012 Buhr et al.
D666,642 S 9/2012 Buhr et al.

(Continued)

(73) Assignee: **Wirtgen GmbH** (DE)

(**) Term: **15 Years**

(21) Appl. No.: **29/573,963**

(22) Filed: **Aug. 11, 2016**

(30) **Foreign Application Priority Data**

Feb. 22, 2016 (EM) 002997718

(51) **LOC (10) Cl.** **08-05**

(52) **U.S. Cl.**
USPC **D8/71**

(58) **Field of Classification Search**
USPC D15/131, 134, 138, 139, 140; 209/106;
206/349; 299/102-103, 105, 106-110;
408/204; 411/82.2, 82.5, 257, 258,
411/901-903, 914, 916, 930; D8/70-74,
D8/71
CPC E21C 35/18
See application file for complete search history.

(56) **References Cited**

U.S. PATENT DOCUMENTS

4,489,986 A 12/1984 Dziak
6,244,665 B1 6/2001 Bise et al.
6,481,803 B2 11/2002 Ritchey
6,962,395 B2 11/2005 Mouthaan
7,300,115 B2 11/2007 Holl et al.
D567,270 S 4/2008 Chiang
D574,689 S 8/2008 Holl et al.

OTHER PUBLICATIONS

Design U.S. Appl. No. 29/573,961, filed Aug. 11, 2016 to Jost et al.
(Continued)

Primary Examiner — Lakiya Rogers
Assistant Examiner — Harold E Blackwell, II
(74) *Attorney, Agent, or Firm* — Lucian Wayne Beavers;
Patterson Intellectual Property Law, PC

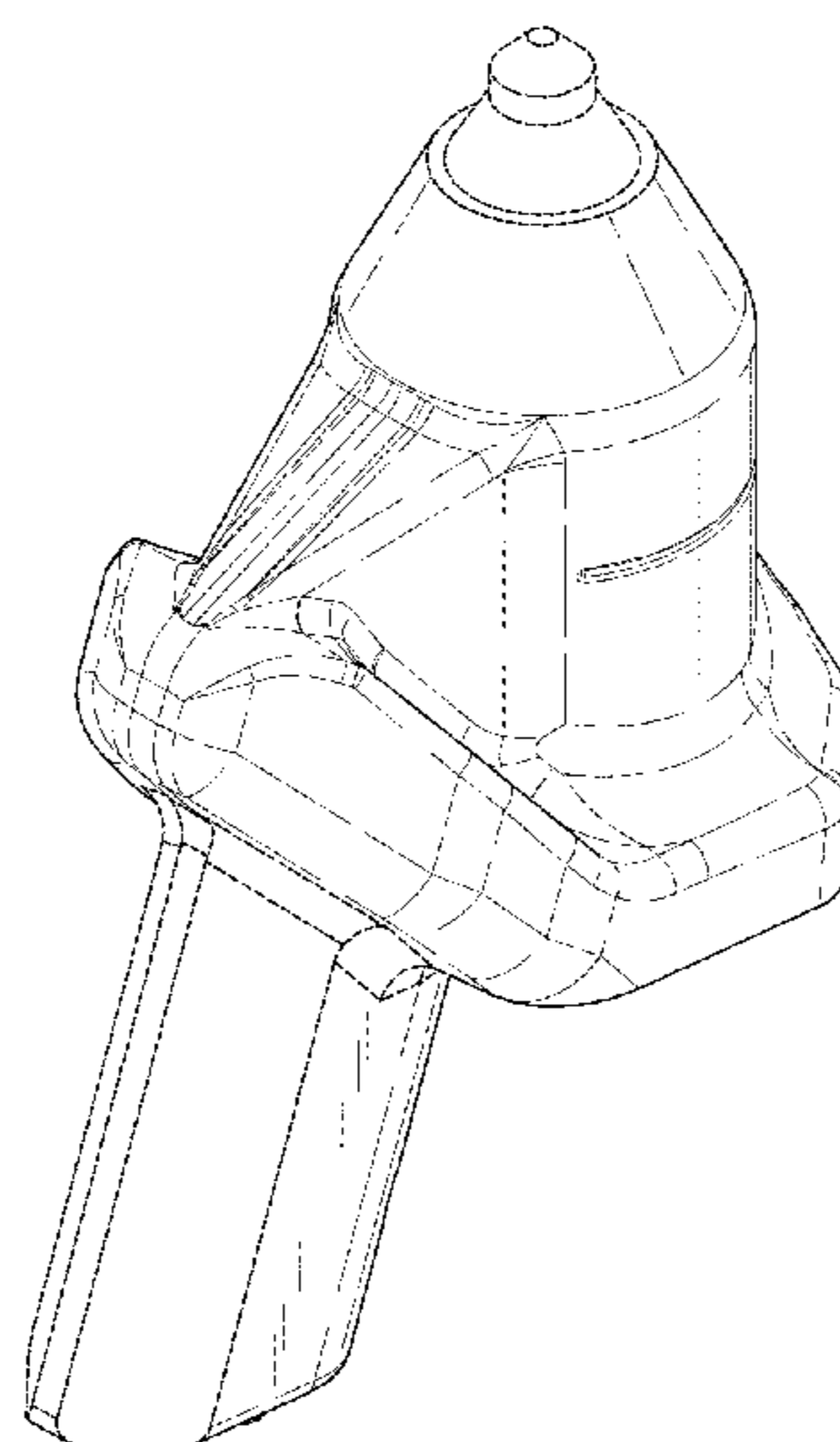
(57) **CLAIM**

What is claimed is the ornamental design for a chisel holder, as shown and described.

DESCRIPTION

FIG. 1 is right side perspective view of the chisel holder. FIG. 2 is front elevation view of the chisel holder of FIG. 1. FIG. 3 is a rear elevation view of the chisel holder of FIG. 1. FIG. 4 is a right side elevation view of the chisel holder of FIG. 1. FIG. 5 is a left side elevation view of the chisel holder of FIG. 1. FIG. 6 is a top view of the chisel holder of FIG. 1; and, FIG. 7 is a bottom view of the chisel holder of FIG. 1. The broken lines formed of short equal length dashes in the FIGS. 1-7 illustrate portions of the chisel holder which form no part of the claimed design. The non-uniform broken lines are surface shading used to show the contour of the surfaces of the claimed design.

1 Claim, 7 Drawing Sheets



(56)

References Cited

U.S. PATENT DOCUMENTS

D666,643 S 9/2012 Buhr et al.
 D667,854 S 9/2012 Kammerer et al.
 D667,855 S * 9/2012 Kammerer D15/140
 D667,856 S 9/2012 Kammerer et al.
 D669,505 S * 10/2012 Buhr D15/140
 D671,578 S 11/2012 Buhr et al.
 8,313,153 B2 * 11/2012 Maushart E02F 9/2825
 299/111
 D677,285 S * 3/2013 Buhr D15/140
 D688,282 S * 8/2013 Lachmann D15/140
 D692,037 S 10/2013 Buhr et al.
 D692,038 S 10/2013 Buhr et al.
 D692,039 S 10/2013 Buhr et al.
 D692,040 S 10/2013 Buhr et al.
 D707,736 S * 6/2014 Ries D15/140
 8,783,785 B2 * 7/2014 Lehnert E21C 35/183
 299/104
 D736,283 S * 8/2015 Ries D15/140
 9,144,922 B2 * 9/2015 Roth E21C 35/18

9,163,502 B2 * 10/2015 Lehnert E21C 35/18
 9,267,373 B2 * 2/2016 Kammerer E21C 35/18
 9,359,728 B2 * 6/2016 Wachsmann E21C 47/00
 9,376,911 B2 * 6/2016 Lehnert E21C 35/18
 9,441,482 B2 * 9/2016 Hall E21C 35/18
 2005/0127742 A1 6/2005 Erickson
 2006/0119165 A1 6/2006 Holl et al.
 2009/0289493 A1 * 11/2009 Holl E21C 35/18
 299/102
 2011/0006588 A1 * 1/2011 Monyak E21C 35/18
 299/107
 2011/0148178 A1 * 6/2011 Lehnert E02F 9/2816
 299/105
 2011/0148179 A1 * 6/2011 Lehnert E21C 35/18
 299/105
 2013/0052481 A1 2/2013 Konyashin et al.

OTHER PUBLICATIONS

Design U.S. Appl. No. 29/573,962, filed Aug. 11, 2016 to Jost et al.

* cited by examiner

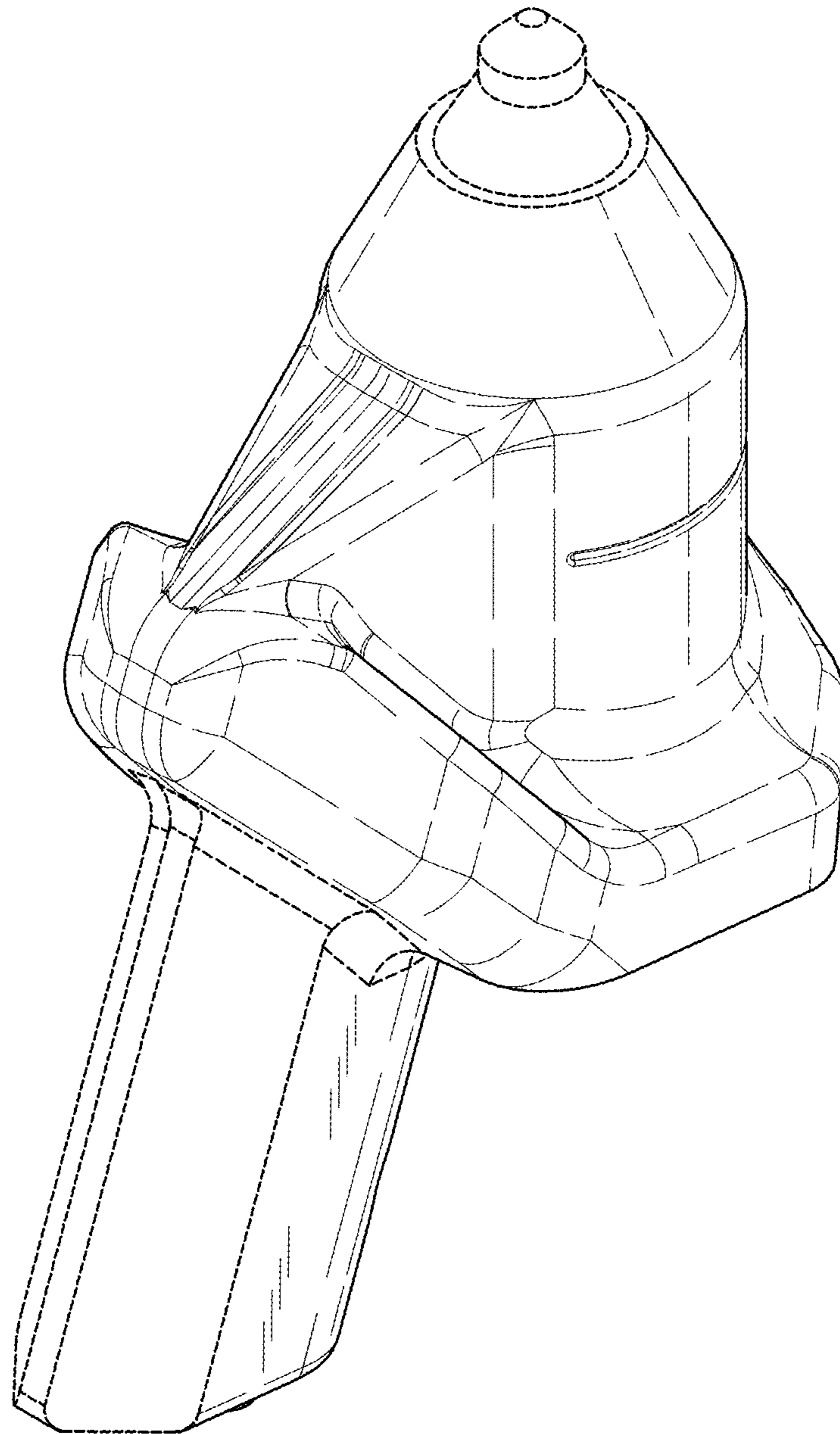


FIG. 1

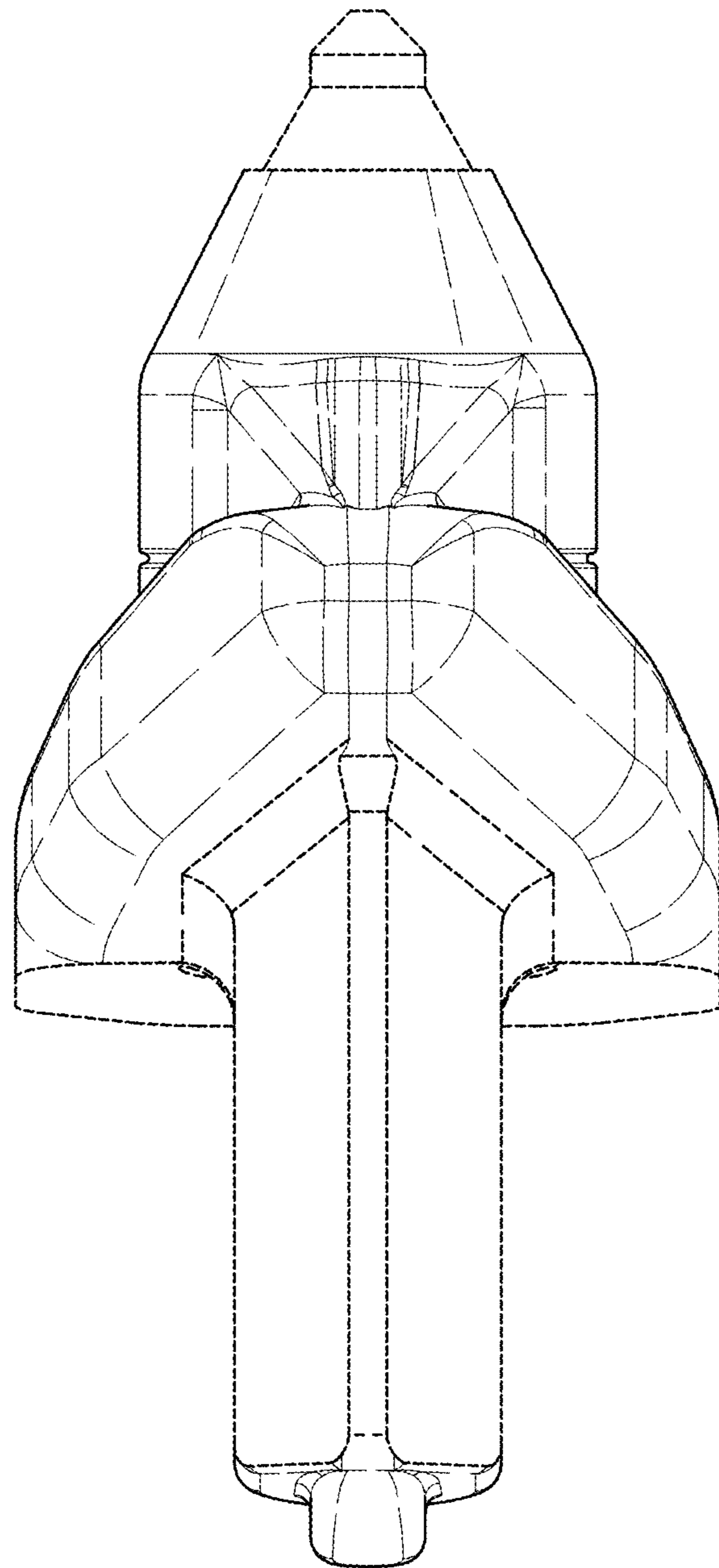


FIG. 2

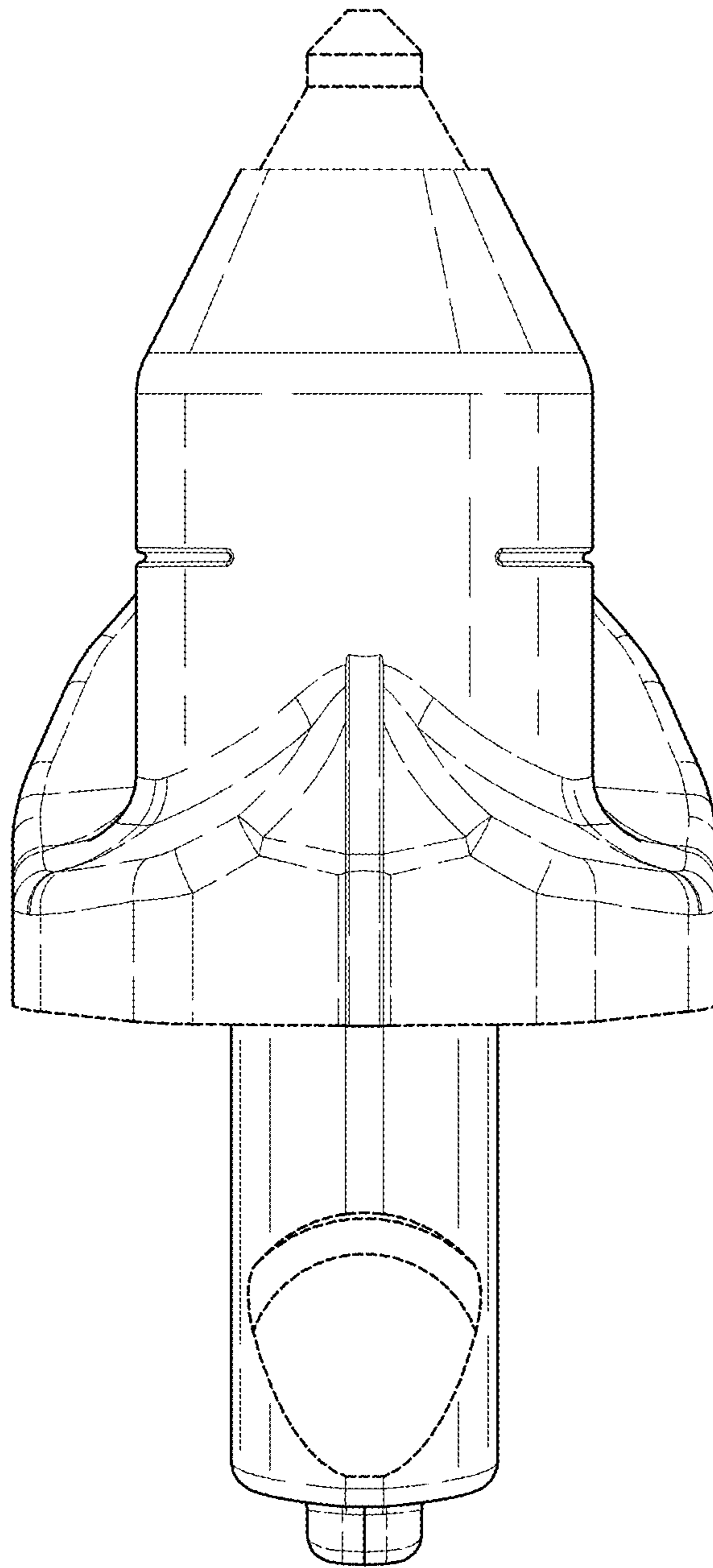


FIG. 3

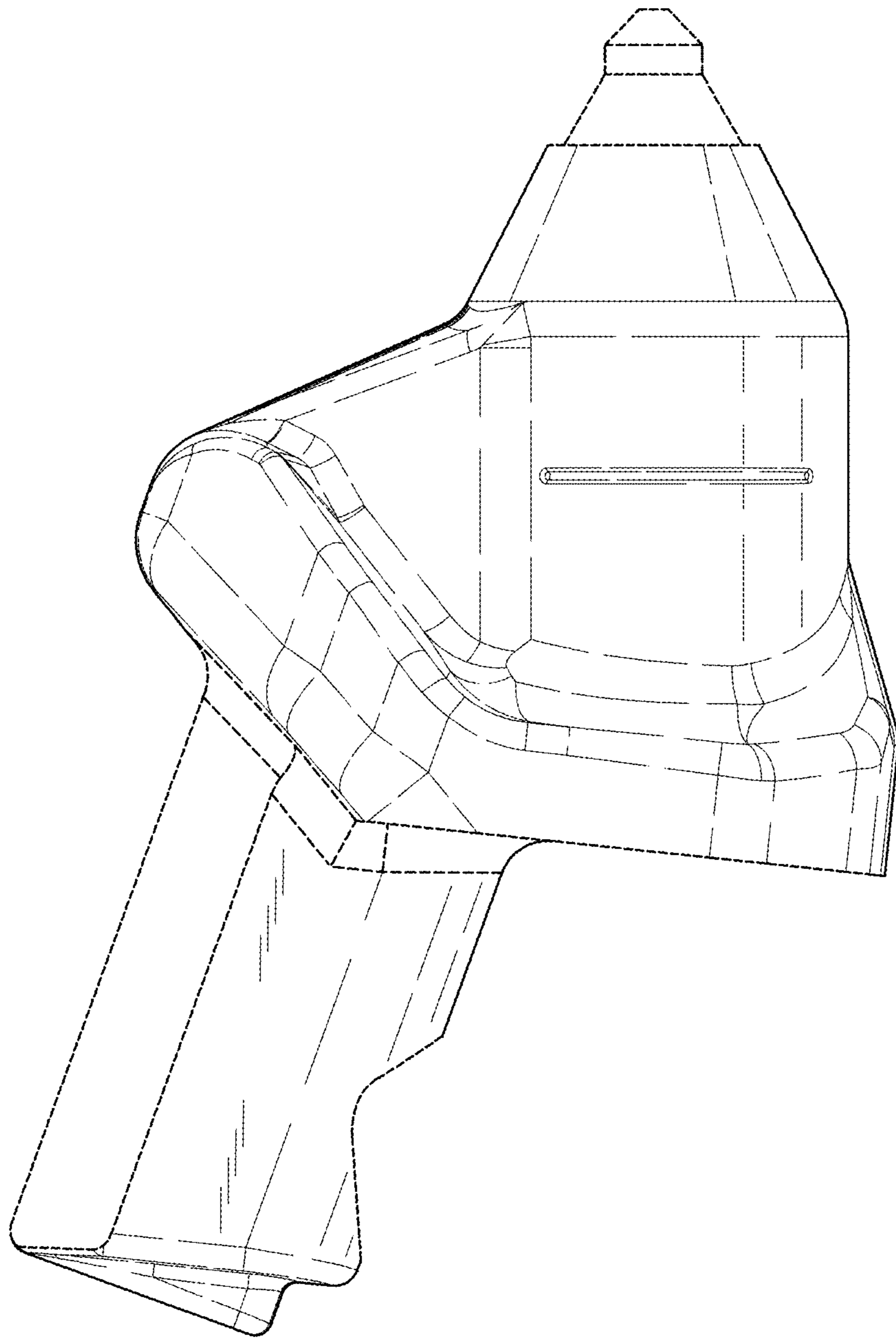


FIG. 4

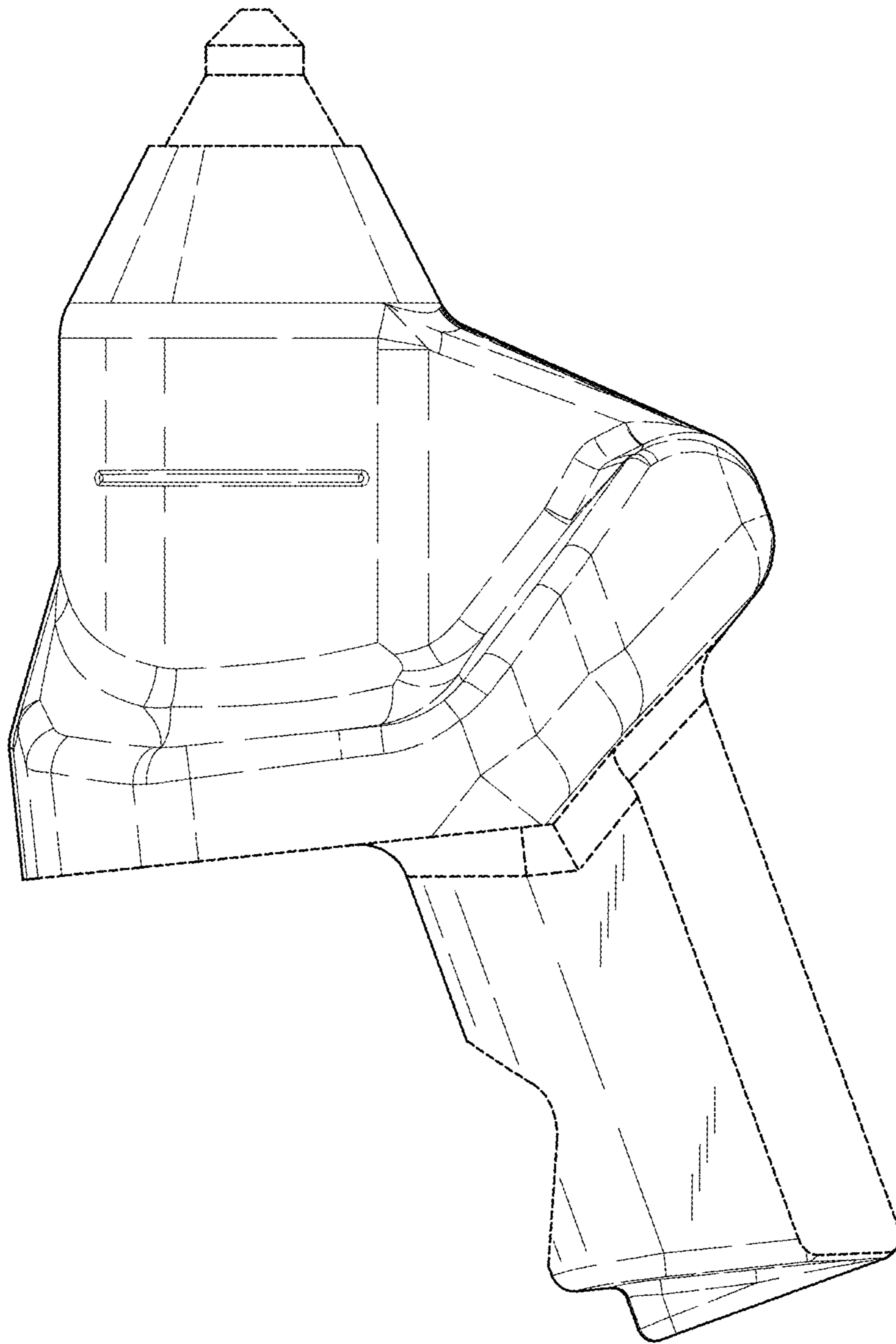


FIG. 5

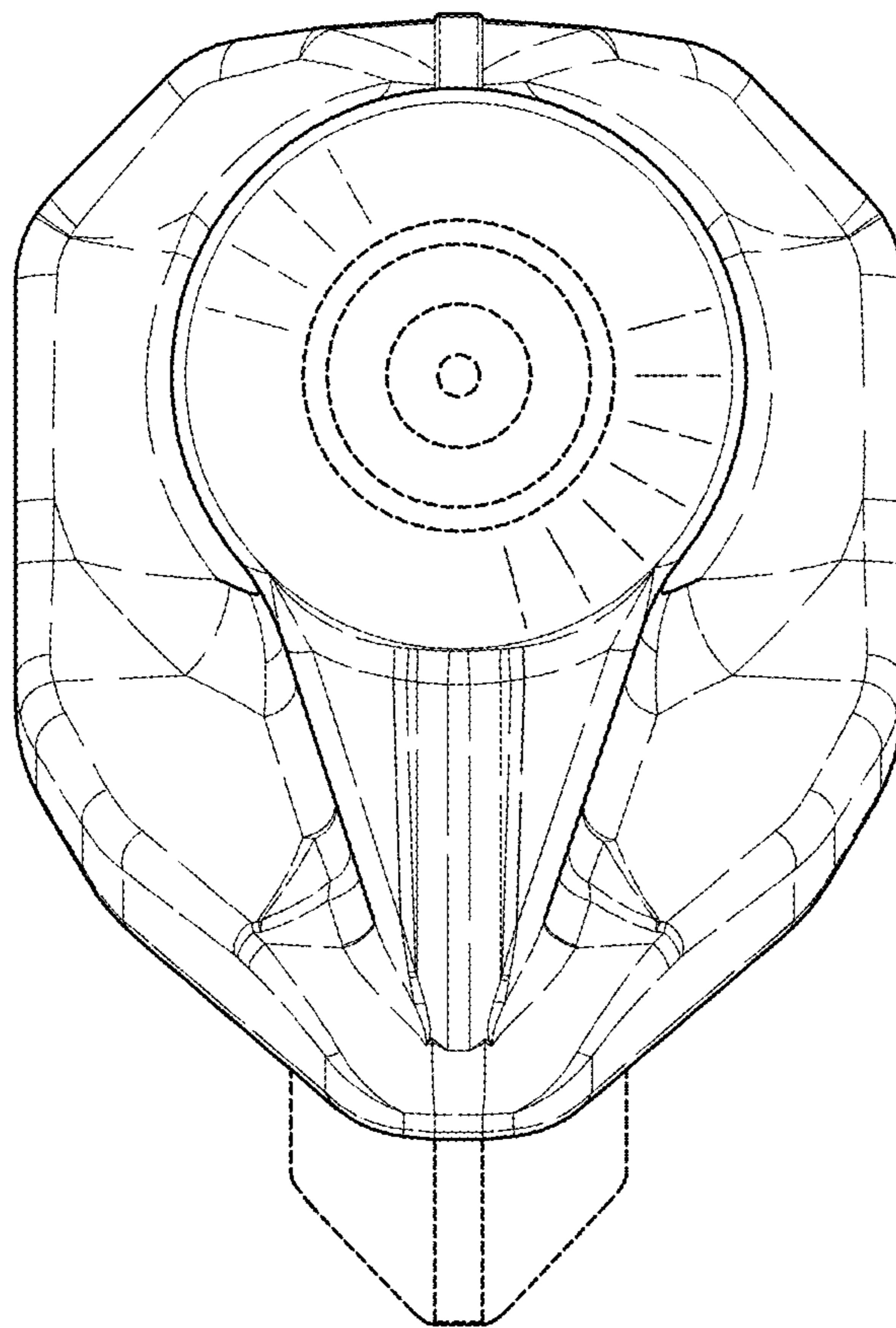


FIG. 6

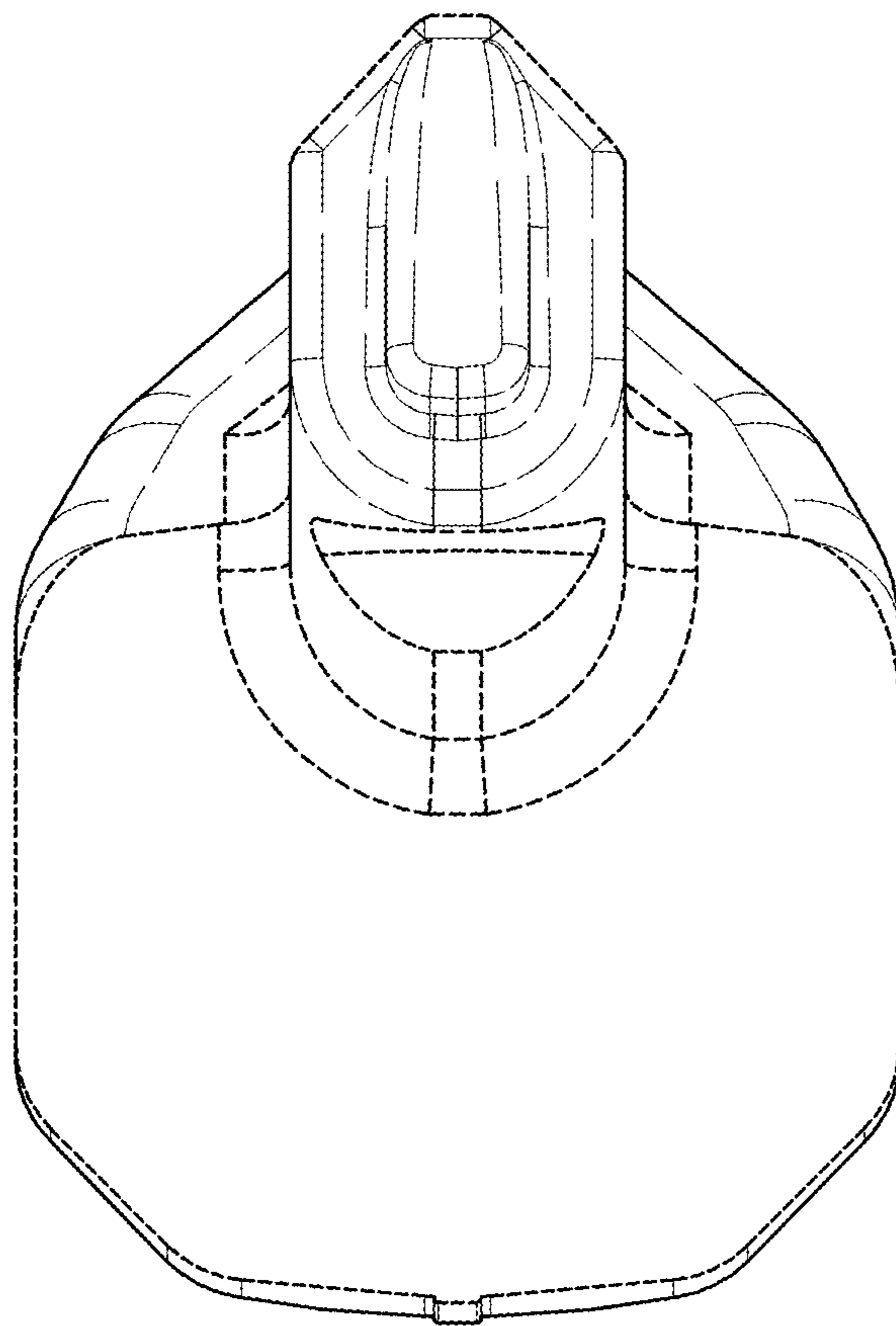


FIG. 7