

US00D797535S

(12) **United States Design Patent** (10) **Patent No.:** **US D797,535 S**
Koeniger et al. (45) **Date of Patent:** **** Sep. 19, 2017**

(54) **CORDLESS ROTARY HAMMER WITH DUST REDUCTION SYSTEM**

(71) Applicant: **HILTI AKTIENGESELLSCHAFT**, Schaan (LI)

(72) Inventors: **Tobias Koeniger**, Bregenz (AT); **Graham Keevy**, Aalen (DE); **Christian Scheidel**, Aalen (DE); **Farouk Zemni**, Stuttgart (DE)

(73) Assignee: **Hilti Aktiengesellschaft**, Schaan (LI)

(**) Term: **15 Years**

(21) Appl. No.: **35/500,734**

(22) Filed: **Mar. 7, 2016**

(80) **Hague Agreement Data**

Int. Filing Date: **Mar. 7, 2016**
Int. Reg. No.: **DM/089713**
Int. Reg. Date: **Mar. 7, 2016**
Int. Reg. Pub. Date: **Mar. 18, 2016**

(51) **LOC (10) Cl.** **08-05**

(52) **U.S. Cl.**
USPC **D8/69**

(58) **Field of Classification Search**
USPC D8/14.1, 61-70
CPC B25D 16/00; B25D 17/02; B25D 11/125
See application file for complete search history.

(56) **References Cited**

U.S. PATENT DOCUMENTS

D524,626 S *	7/2006	Stirm	D8/69
D527,601 S *	9/2006	Stirm	D8/69
D535,537 S *	1/2007	Aglassinger	D8/69
D540,642 S *	4/2007	Stirm	D8/69
D543,082 S *	5/2007	Stirm	D8/69
D575,606 S *	8/2008	Okouchi	D8/69

D581,235 S *	11/2008	Aglassinger	D8/69
D663,183 S *	7/2012	Sell	D8/69
D676,731 S *	2/2013	Aglassinger	D8/69
D691,011 S *	10/2013	Walz	D8/68
D695,086 S *	12/2013	Walz	D8/68
D740,636 S *	10/2015	Koeniger	D8/69
2014/0318821 A1 *	10/2014	Wylter	B25D 11/125 173/104

FOREIGN PATENT DOCUMENTS

WO	DM/075961	6/2011
WO	DM/076048	6/2011

* cited by examiner

Primary Examiner — Darlington Ly

(74) *Attorney, Agent, or Firm* — Crowell & Moring LLP

(57) **CLAIM**

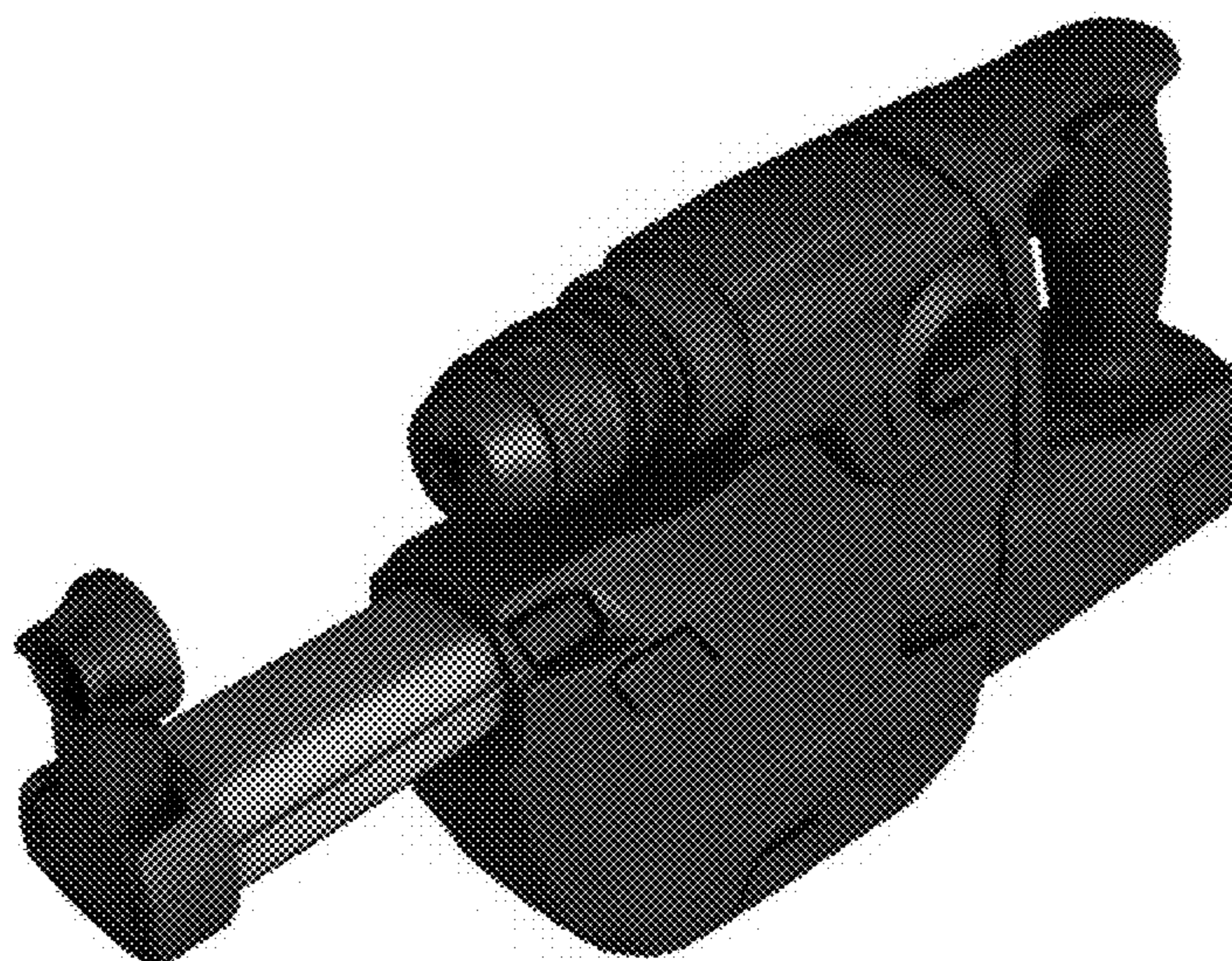
The ornamental design for a cordless rotary hammer with dust reduction system, as shown and described.

DESCRIPTION

The file of this patent contains at least one reproduction / photograph executed in color. Copies of this patent with color reproduction(s) / photograph(s) will be provided by the Office upon request and payment of the necessary fee.

1. Cordless rotary hammer with dust reduction system
- 1.1 is a top, front, and left side perspective view of a cordless rotary hammer with dust reduction system showing our new design;
- 1.2 is a bottom, rear, and right side perspective view thereof;
- 1.3 is a left side elevation view thereof;
- 1.4 is a right side elevation view thereof;
- 1.5 is a top plan view thereof;
- 1.6 is a bottom plan view thereof;
- 1.7 is a front elevation view thereof; and
- 1.8 is a rear elevation view thereof.

1 Claim, 8 Drawing Sheets
(8 of 8 Drawing Sheet(s) Filed in Color)



1.1



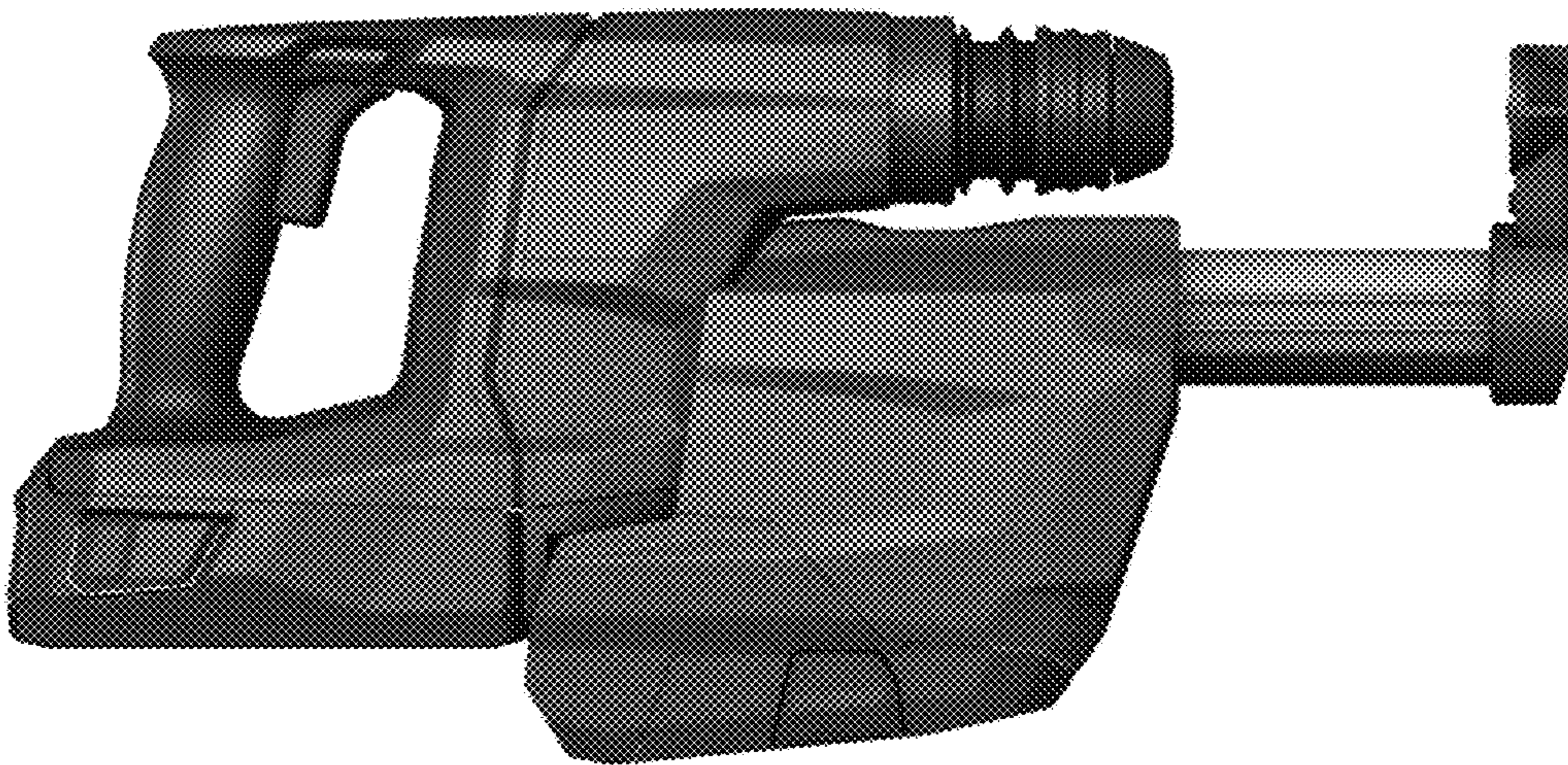
1.2



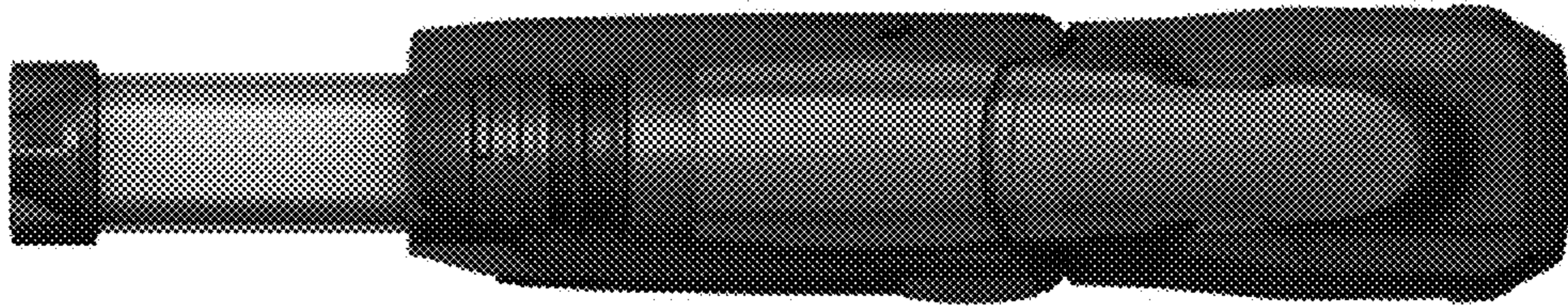
1.3



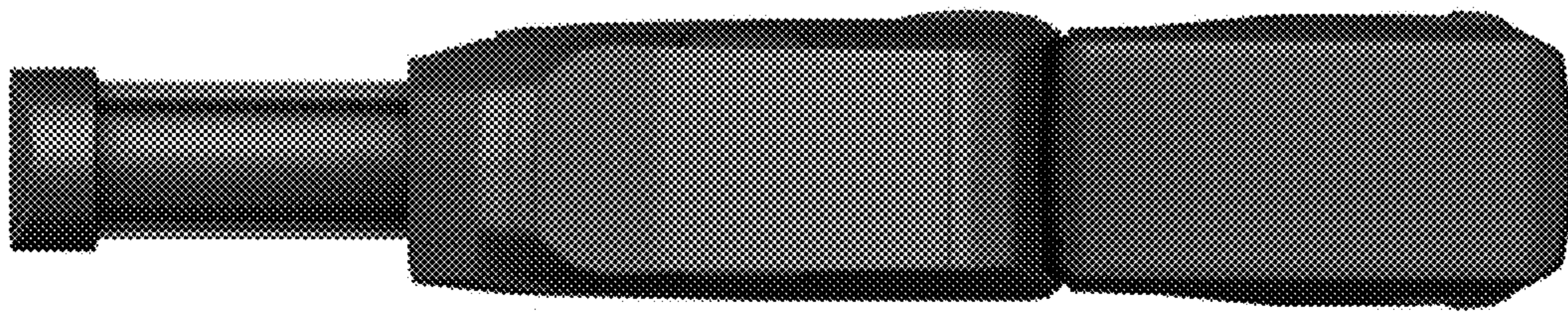
1.4



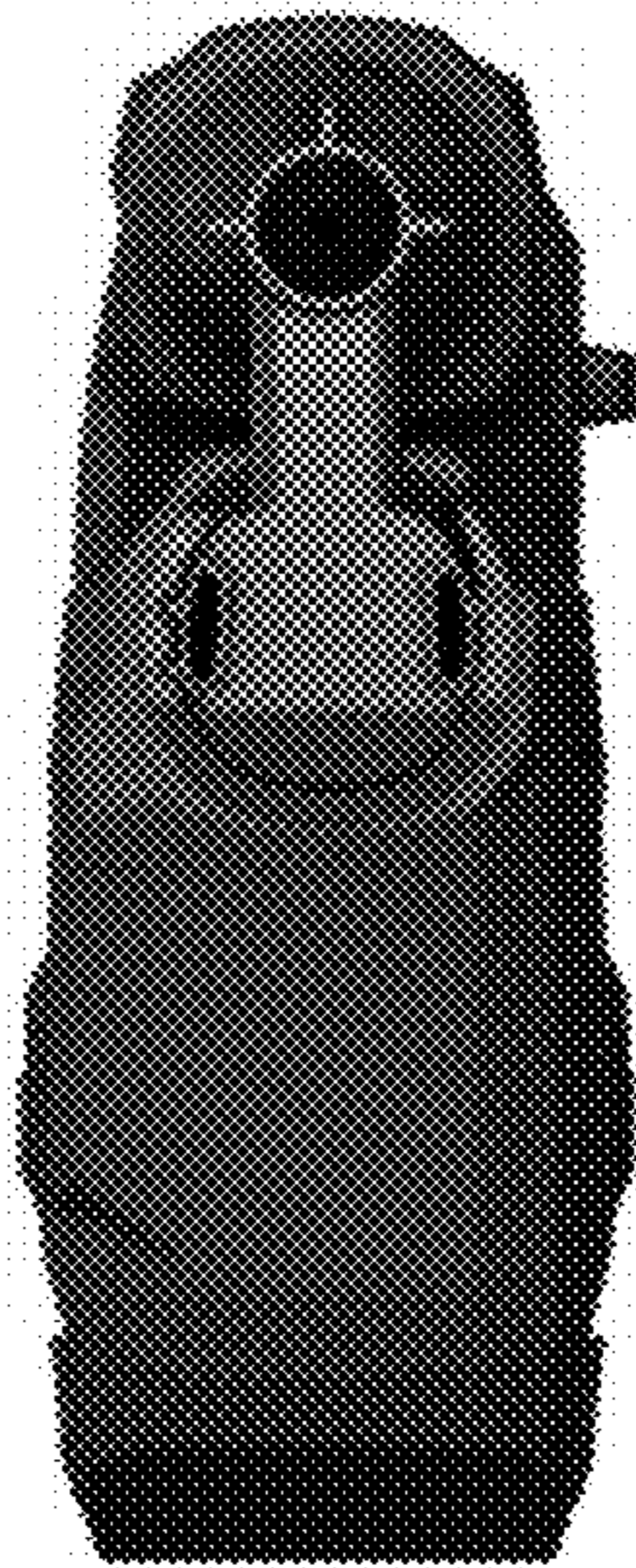
1.5



1.6



1.7



1.8

