



US00D797534S

(12) **United States Design Patent**  
**Pentland**

(10) **Patent No.:** **US D797,534 S**

(45) **Date of Patent:** **\*\* Sep. 19, 2017**

- (54) **APPLICATOR NOZZLE**
- (71) Applicant: **Ingersoll Products Inc.**, Ingersoll (CA)
- (72) Inventor: **Jamie Pentland**, London (CA)
- (\*\*) Term: **15 Years**
- (21) Appl. No.: **29/542,857**
- (22) Filed: **Oct. 19, 2015**
- (51) **LOC (10) Cl.** ..... **08-05**
- (52) **U.S. Cl.**  
USPC ..... **D8/45**
- (58) **Field of Classification Search**  
USPC ..... D8/14, 14.1, 29.1, 29.2, 45; D28/12, 13,  
D28/16, 18  
CPC ..... B05C 17/00516; B05C 17/0103; B05C  
17/10; B05D 5/005; B65D 35/30; B65D  
35/38; B65D 83/285; B65D 83/46  
See application file for complete search history.

- 5,605,259 A \* 2/1997 Clawson ..... B65D 83/285  
222/192
- D422,114 S \* 3/2000 Gudfin ..... D28/13
- 6,422,777 B1 \* 7/2002 Landrau ..... B05C 17/00516  
222/566
- D479,466 S \* 9/2003 Bremner ..... D9/434
- D544,998 S \* 6/2007 Petruccelli ..... D28/13
- D580,273 S \* 11/2008 Stinesen ..... D9/682
- D582,738 S \* 12/2008 Oliver ..... D8/14.1
- 7,524,176 B2 \* 4/2009 Yao ..... B05C 17/00516  
118/410
- D612,730 S \* 3/2010 Rushe ..... D9/449
- D618,100 S \* 6/2010 Rushe ..... D9/447
- D666,373 S \* 8/2012 Eden ..... D32/32
- D711,530 S \* 8/2014 Gleason, Jr. .... D24/112
- D715,484 S \* 10/2014 Kang ..... A45D 20/12  
D28/13
- D739,727 S \* 9/2015 Olson ..... D9/436
- 9,259,757 B1 \* 2/2016 Santarsiero ..... B05C 17/10
- 2004/0211794 A1 \* 10/2004 O'Jack ..... B05C 17/00506  
222/568
- 2006/0288930 A1 \* 12/2006 Sullivan ..... A61B 5/1172  
118/31.5

(Continued)

*Primary Examiner* — Philip S Hyder  
*Assistant Examiner* — Roselynn Cody

(56) **References Cited**

U.S. PATENT DOCUMENTS

- D136,098 S \* 8/1943 Hartman, Sr. .... 222/575
- D158,774 S \* 5/1950 Lippincott ..... 15/415.1
- D179,333 S \* 11/1956 Tupper ..... D9/447
- 3,350,159 A \* 10/1967 Rice, Jr. .... A45D 27/04  
132/320
- D239,471 S \* 4/1976 Gonzales ..... D28/18
- D289,682 S \* 5/1987 Dragan ..... D24/112
- D289,881 S \* 5/1987 Krumm ..... D8/14.1
- D292,825 S \* 11/1987 Dragan ..... D24/112
- D300,349 S \* 3/1989 Ennis, III ..... D23/231
- D305,736 S \* 1/1990 Berg ..... D9/447
- 4,981,629 A \* 1/1991 Cook ..... B05C 17/00516  
264/261
- 5,033,951 A \* 7/1991 Cook ..... B05C 17/00516  
15/235.3
- 5,246,144 A \* 9/1993 Cathcart, Sr. .... B05C 17/0103  
222/153.13

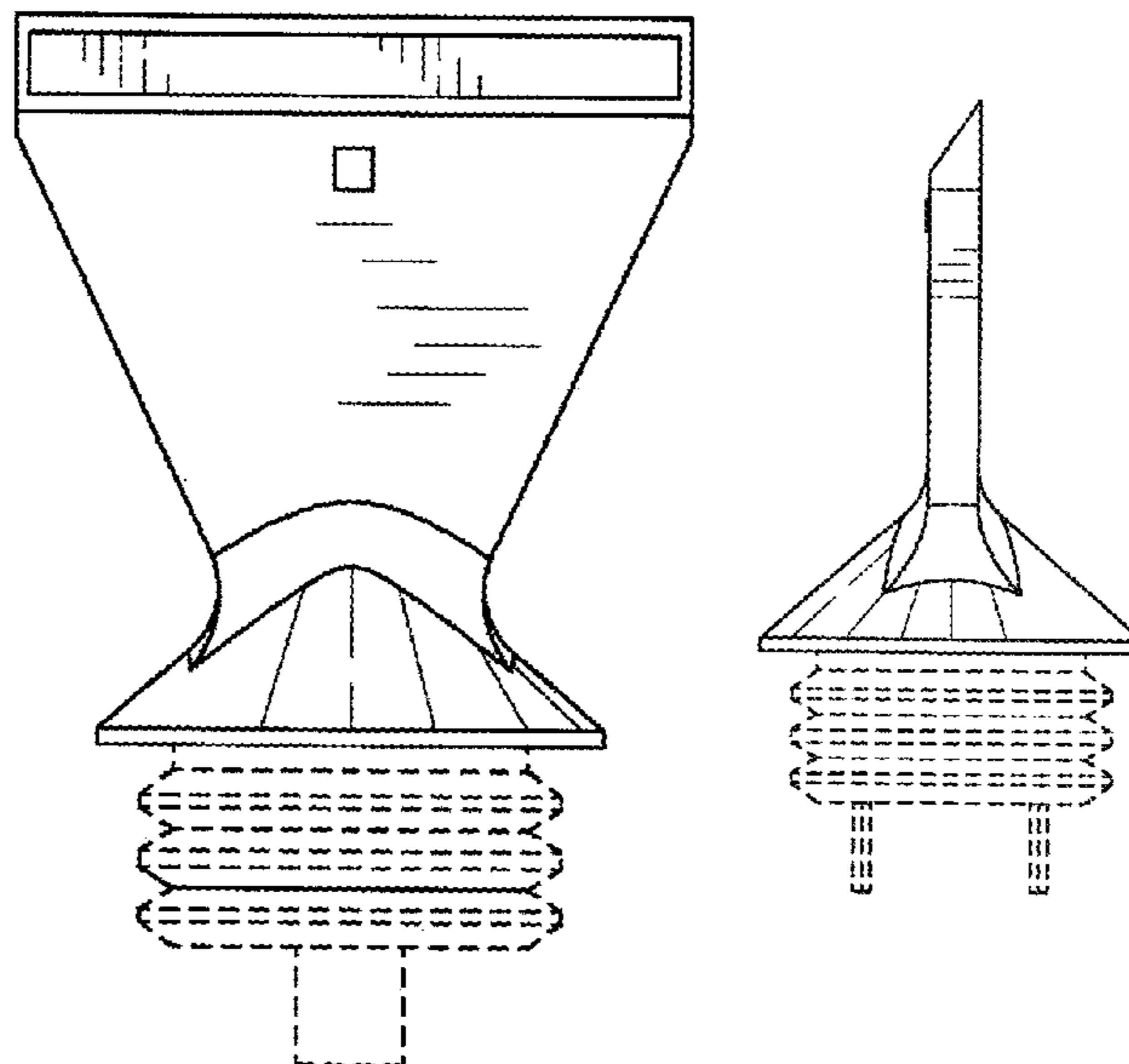
(57) **CLAIM**

The ornamental design for an applicator nozzle, as shown and described.

**DESCRIPTION**

FIG. 1 is a front elevational view of the present design for an applicator nozzle.  
FIG. 2 is a back elevational view thereof.  
FIG. 3 is a side elevational view thereof; and,  
FIG. 4 is a top front perspective view thereof.  
The broken lines in the drawings indicate portions of the applicator nozzle that form no part of the claim.

**1 Claim, 2 Drawing Sheets**



(56)

**References Cited**

U.S. PATENT DOCUMENTS

2009/0241457 A1\* 10/2009 Brunelle ..... B65D 83/285  
52/514  
2012/0121315 A1\* 5/2012 Haack ..... B05C 17/00516  
401/266  
2015/0024131 A1\* 1/2015 Evans ..... B05D 5/005  
427/207.1  
2016/0122088 A1\* 5/2016 Jamison ..... B65D 35/30  
401/134

\* cited by examiner

Figure 1.

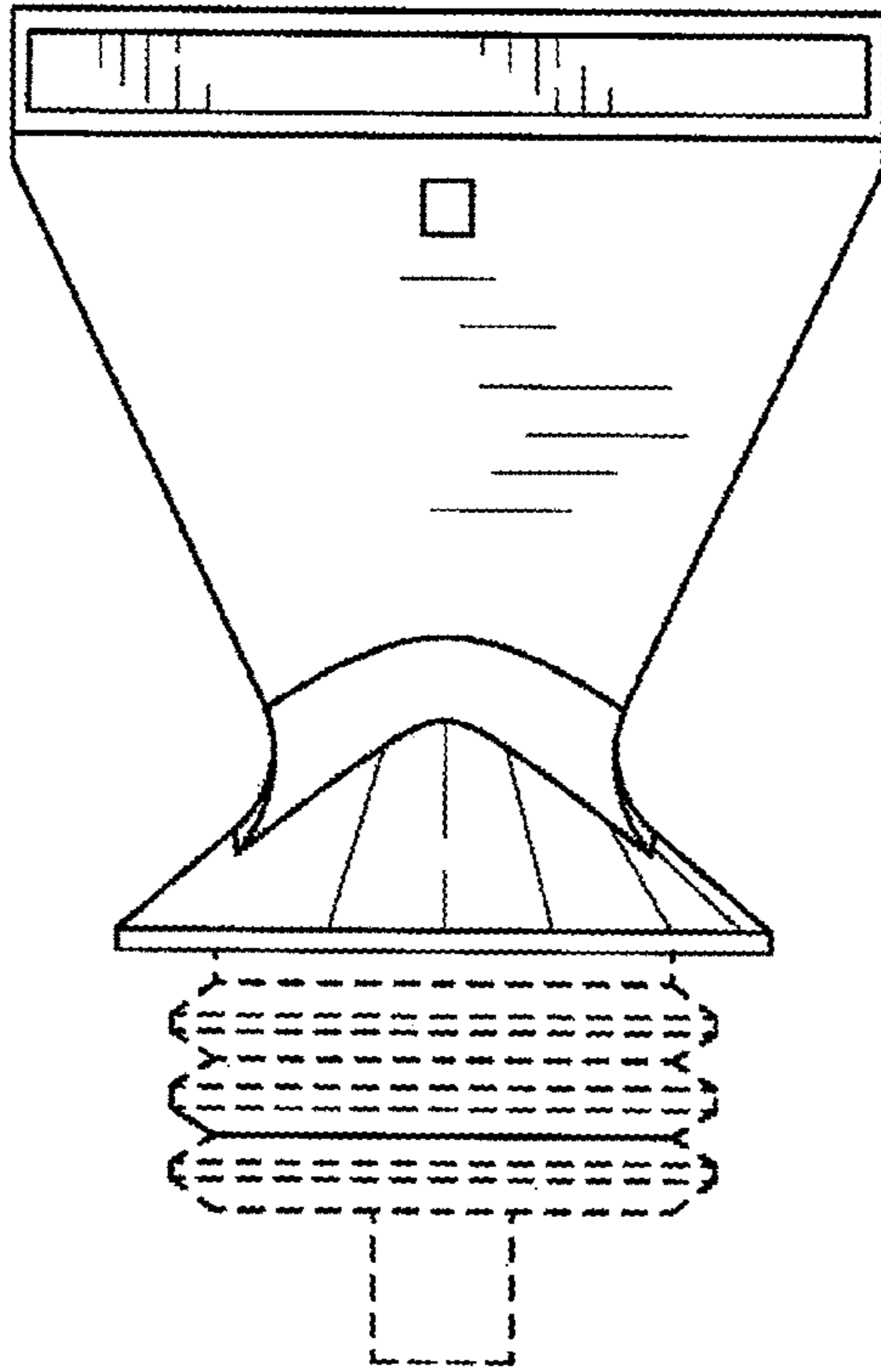


Figure 2.

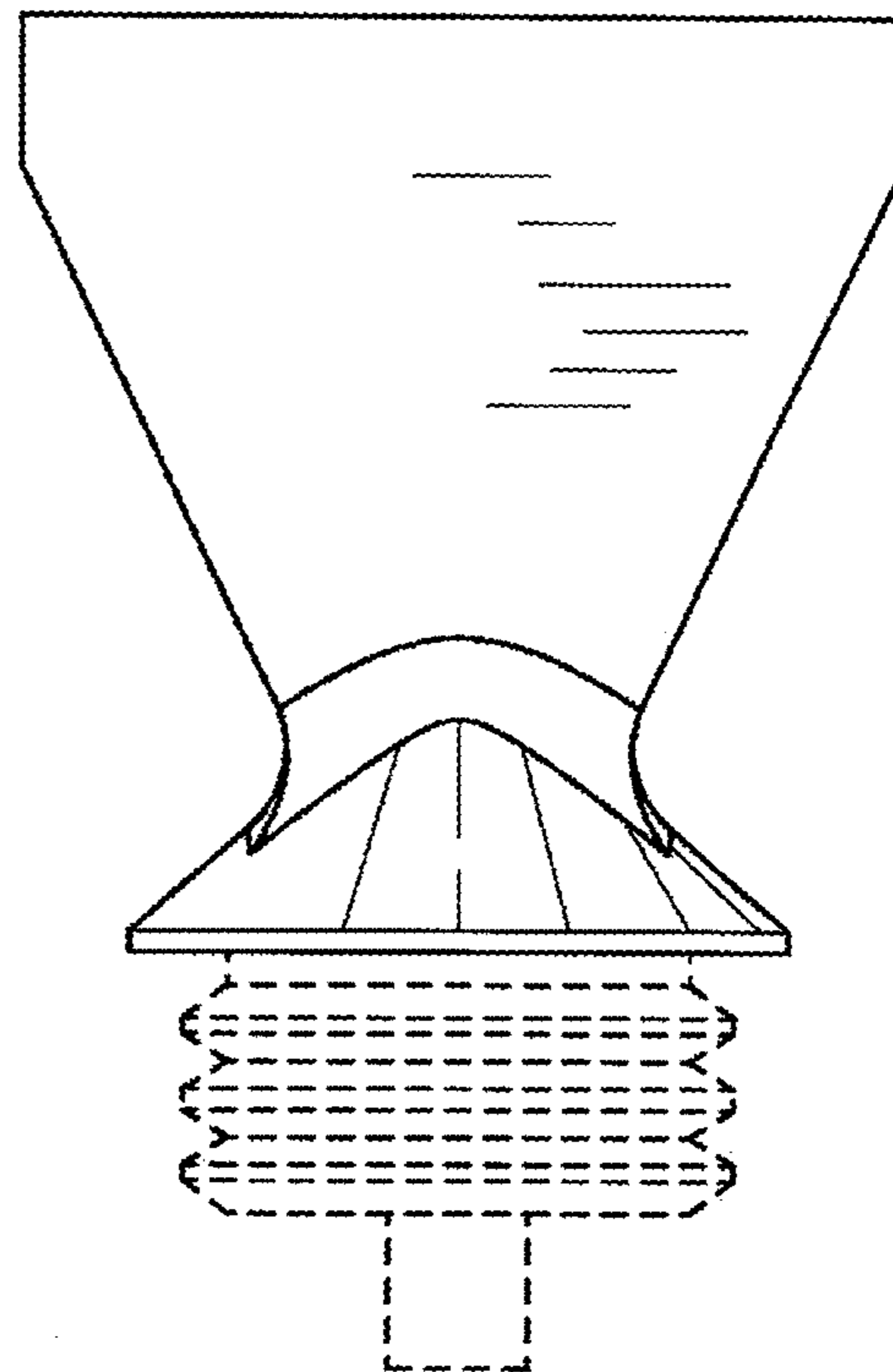


Figure 3.

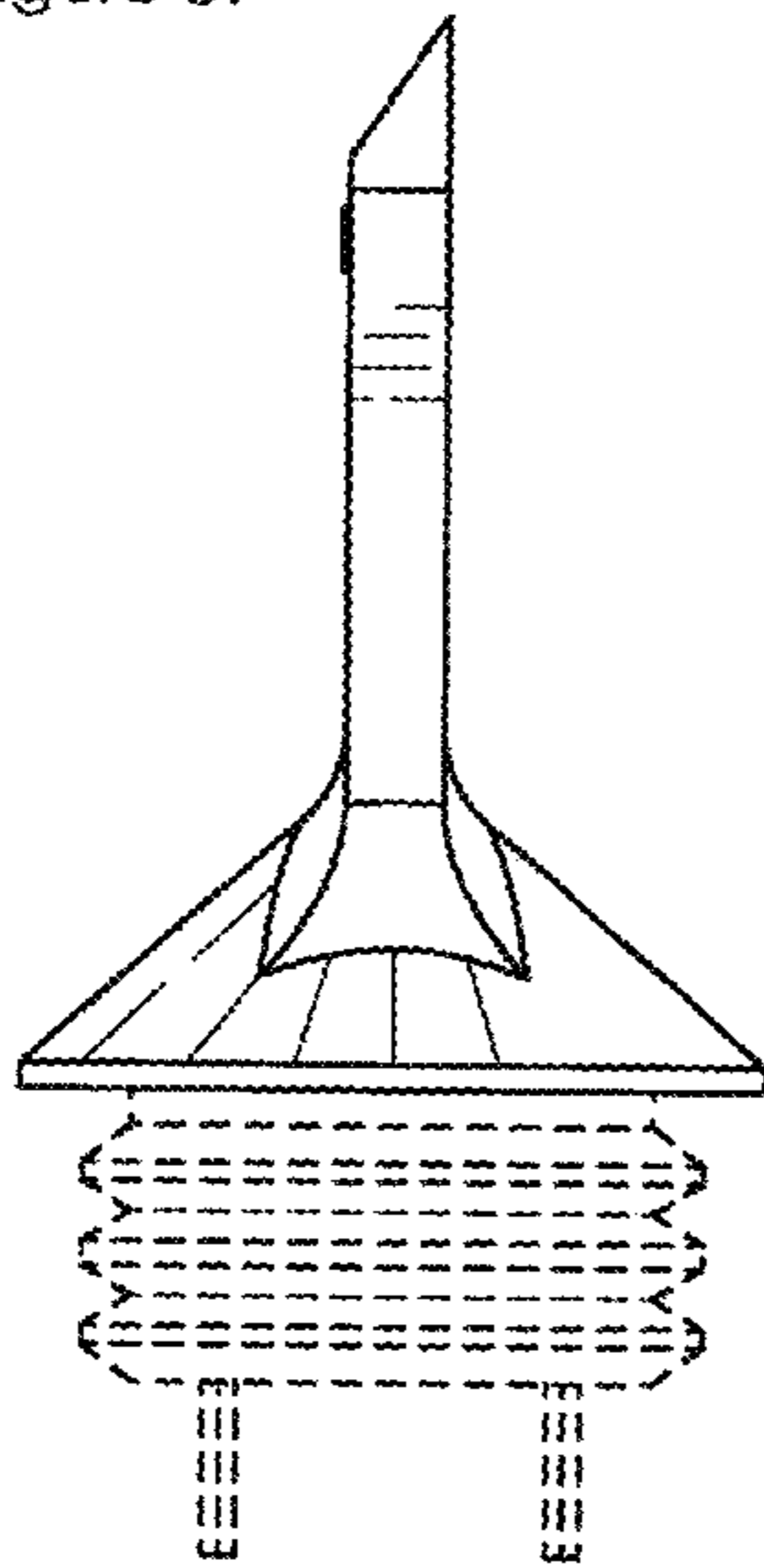


Figure 4.

