

US00D797533S

(12) **United States Design Patent** (10) **Patent No.:** **US D797,533 S**
Hu (45) **Date of Patent:** **** Sep. 19, 2017**

(54) **CORKSCREW**
(71) Applicant: **Bobby Hu**, Taichung (TW)
(72) Inventor: **Bobby Hu**, Taichung (TW)
(**) Term: **15 Years**
(21) Appl. No.: **29/549,103**
(22) Filed: **Dec. 18, 2015**
(51) **LOC (10) Cl.** **07-06**
(52) **U.S. Cl.**
USPC **D8/42**
(58) **Field of Classification Search**
USPC D8/14, 16, 18, 19, 33-43, 98, 88, 89,
D8/107, 300, 301, 306-309, DIG. 10
CPC B67B 7/00; B67B 7/04; B67B 7/14; B67B
7/16; B67B 7/18; B67B 7/20; B67B 7/24;
B67B 7/30; B67B 7/34; B67B 7/36;
B67B 7/44
See application file for complete search history.

D269,404 S * 6/1983 De Mars 294/33
D281,855 S * 12/1985 Kuhn D8/42
D325,329 S * 4/1992 Merles D8/39
D379,497 S * 5/1997 Renfro D8/307
D454,472 S * 3/2002 Sum D8/39
D457,415 S * 5/2002 Caspersz D8/308
D501,770 S * 2/2005 Di Bitonto B67B 7/34
D8/39
D511,670 S * 11/2005 Chen D8/301
D552,446 S * 10/2007 Cybulski D8/300
D612,711 S * 3/2010 Mansikkamaa D8/308
D678,018 S * 3/2013 Morgan D8/42

* cited by examiner

Primary Examiner — Elizabeth Albert
(74) *Attorney, Agent, or Firm* — Muncy, Geissler, Olds & Lowe, P.C.

(57) **CLAIM**

The ornamental design for a corkscrew, as shown and described.

(56) **References Cited**

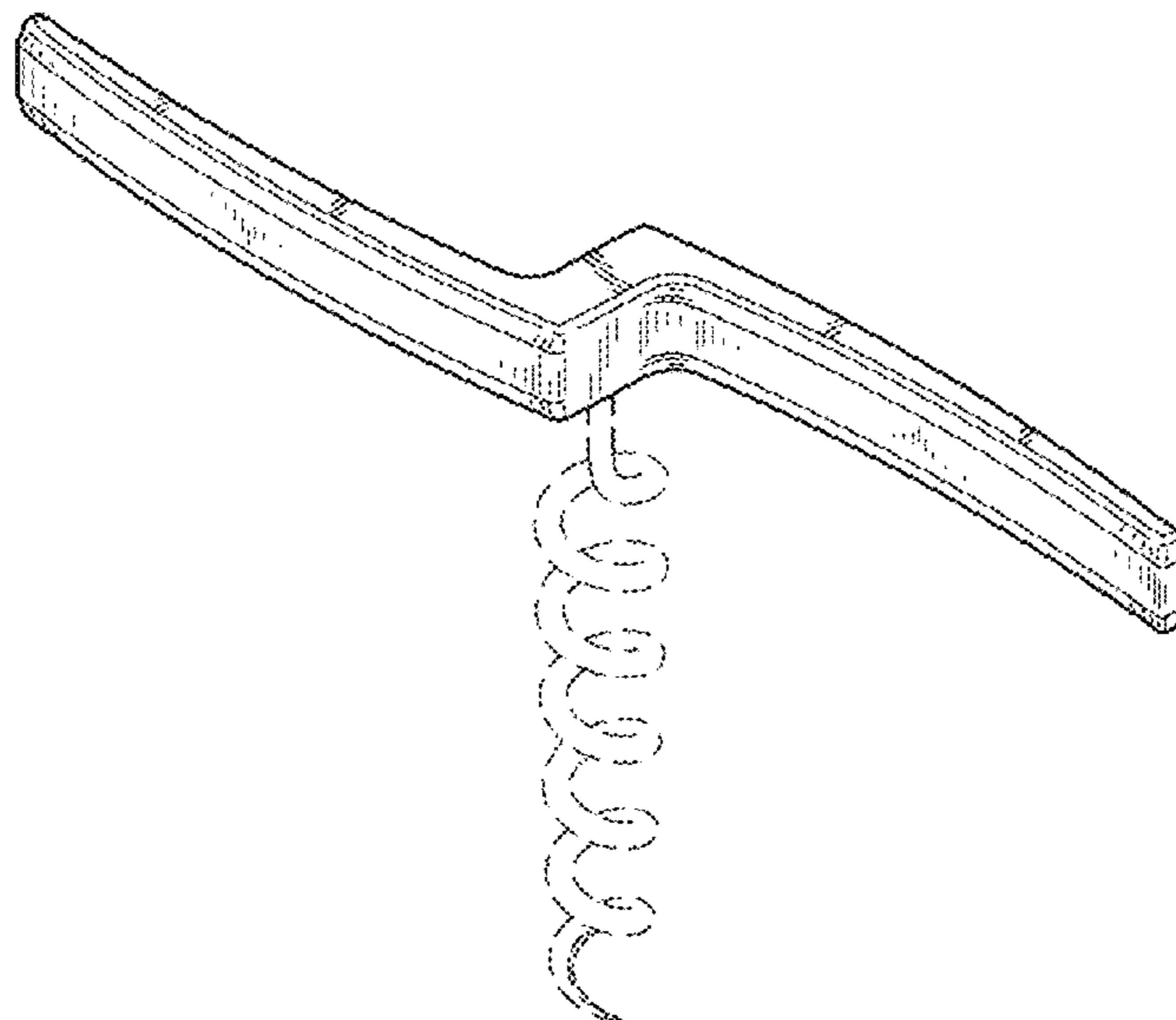
DESCRIPTION

U.S. PATENT DOCUMENTS

458,087 A * 8/1891 Wilkinson B67B 7/44
30/153
693,156 A * 2/1902 Rochester B67B 7/44
30/326
923,349 A * 6/1909 Fitz Gerald B67B 7/30
30/430
1,421,169 A * 6/1922 Chmura B67B 7/0441
24/112
1,741,801 A * 12/1929 White B60C 25/02
157/1.1
2,054,761 A * 9/1936 Okun B67B 7/0411
81/3.45
D117,908 S * 12/1939 Morgan D8/308

FIG. 1 is a perspective view of a corkscrew showing my new design;
FIG. 2 is a front elevational view thereof;
FIG. 3 is a rear elevational view thereof;
FIG. 4 is a left side elevational view thereof;
FIG. 5 is a right side elevational view thereof;
FIG. 6 is a top plan view thereof; and,
FIG. 7 is a bottom plan view thereof.
The broken lines shown are included for the purpose of illustrating the unclaimed portions of the article and form no part of the claim.

1 Claim, 5 Drawing Sheets



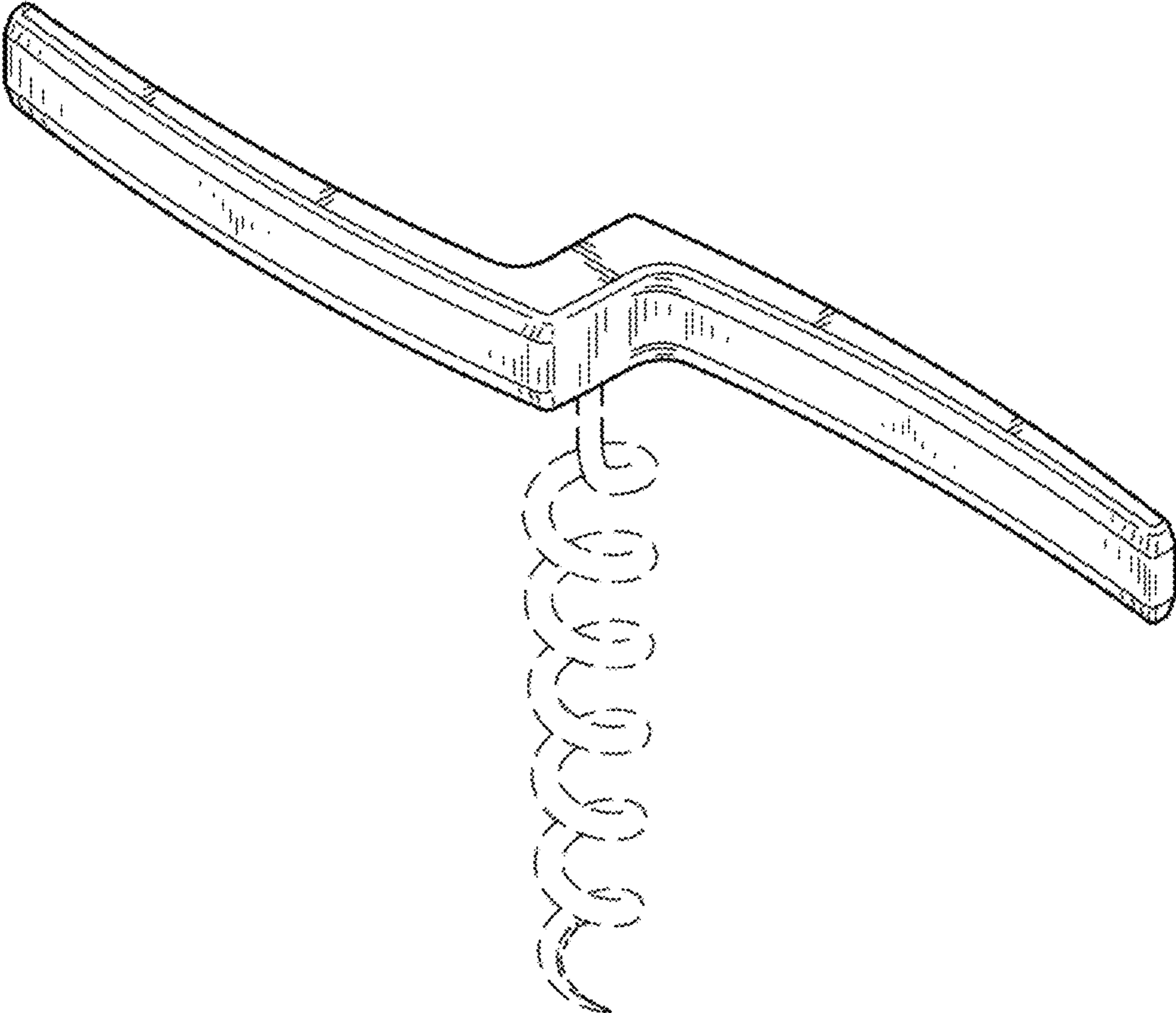


FIG. 1

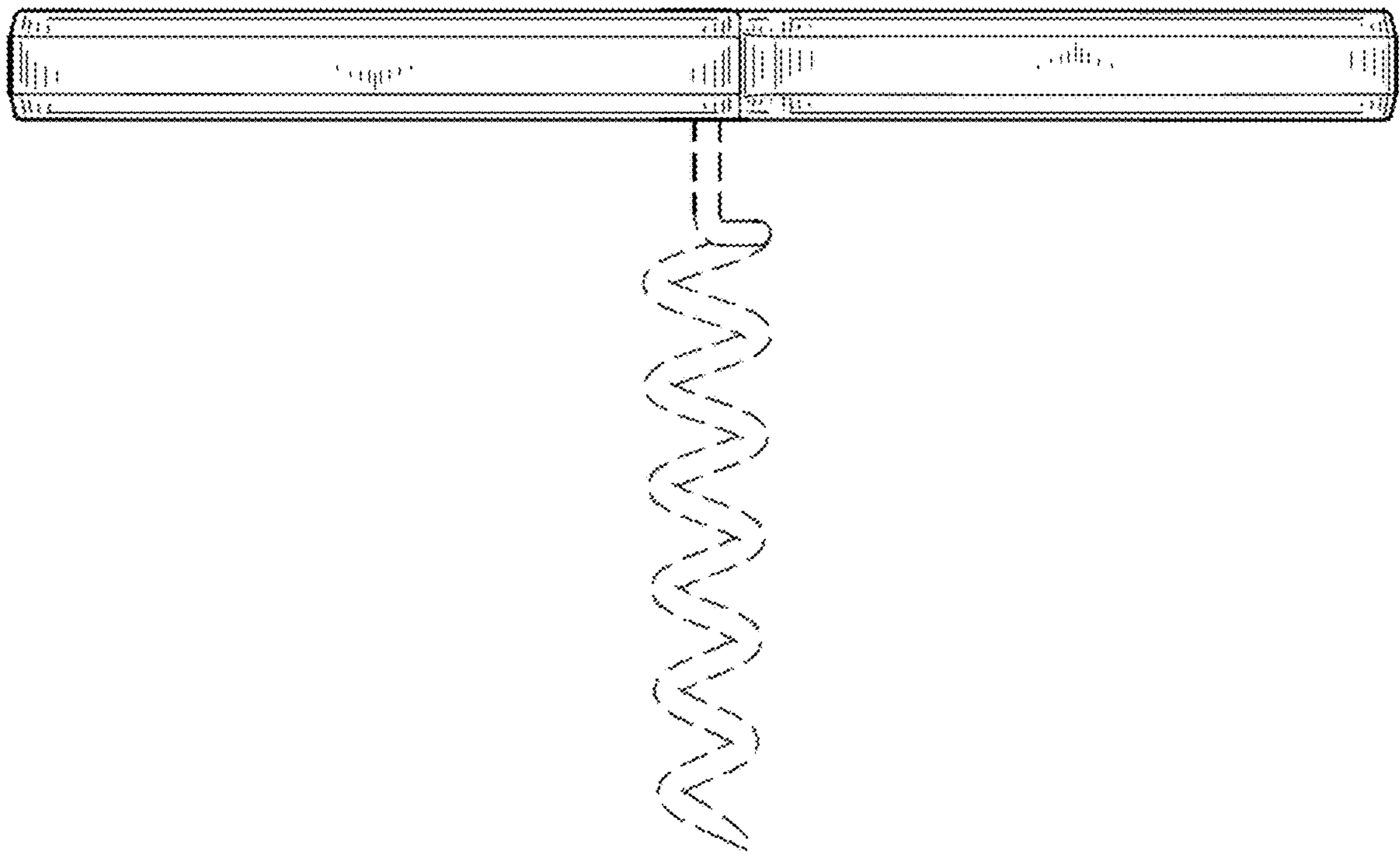


FIG. 2

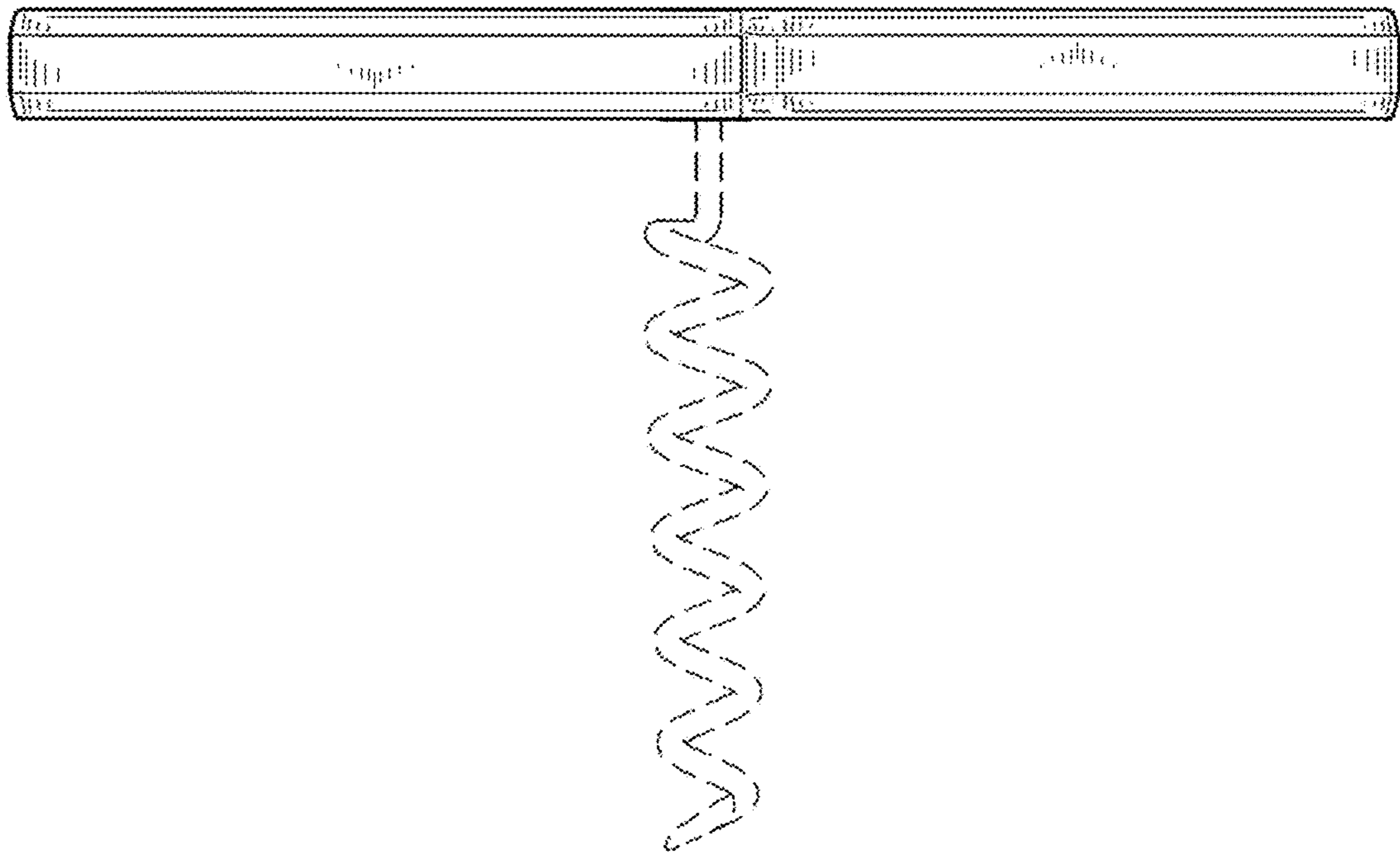


FIG. 3

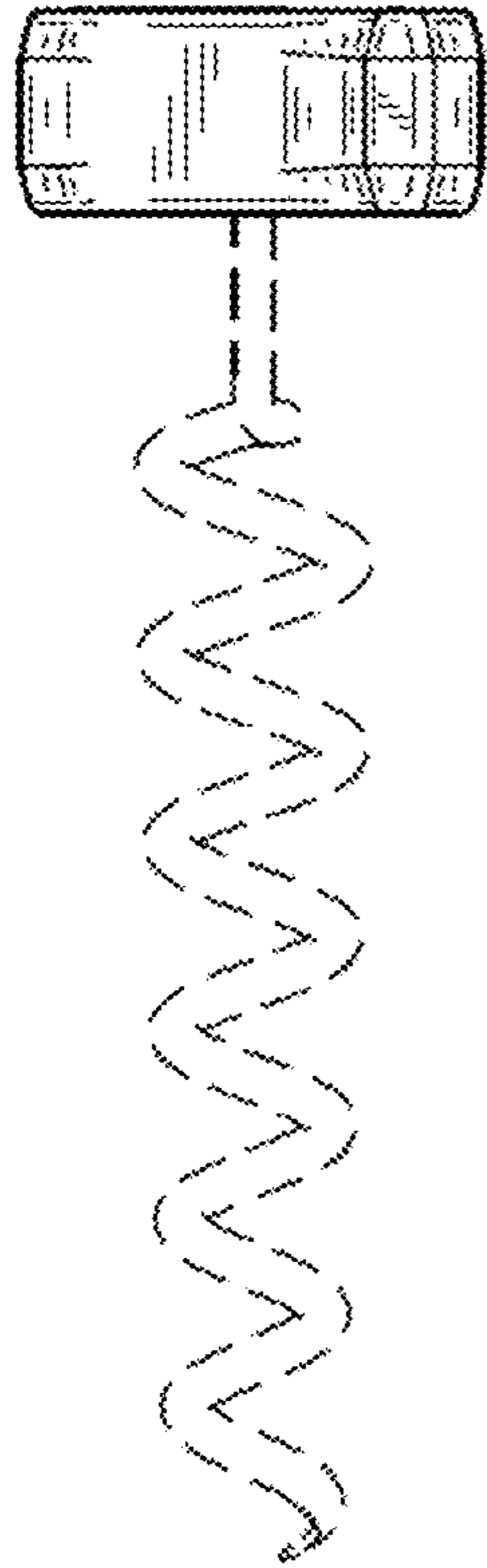


FIG. 4

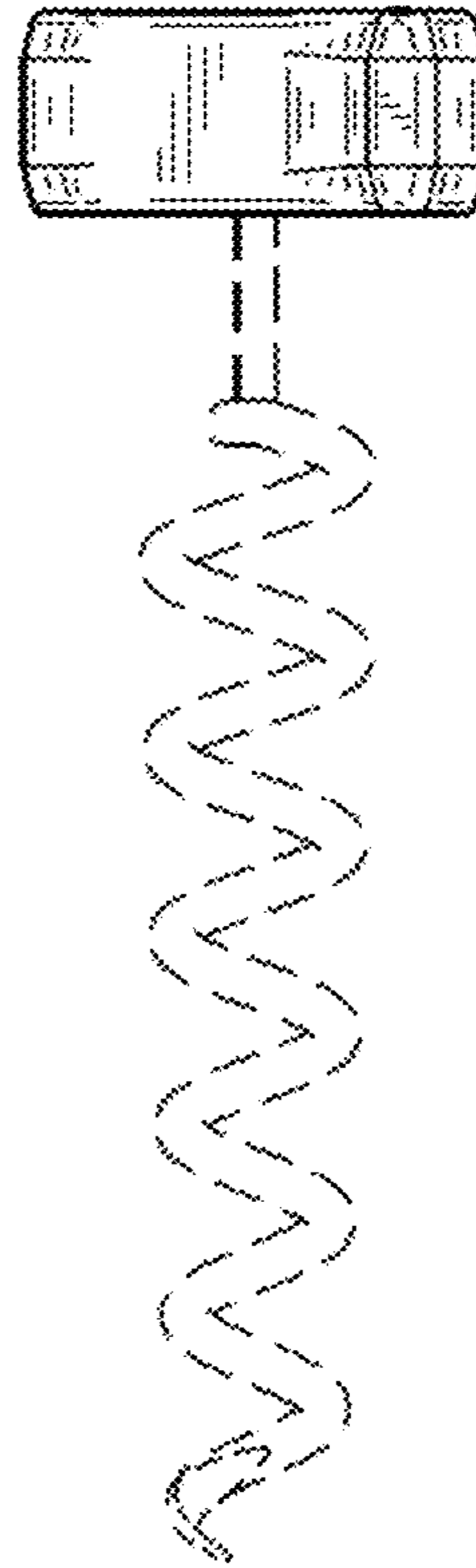


FIG. 5

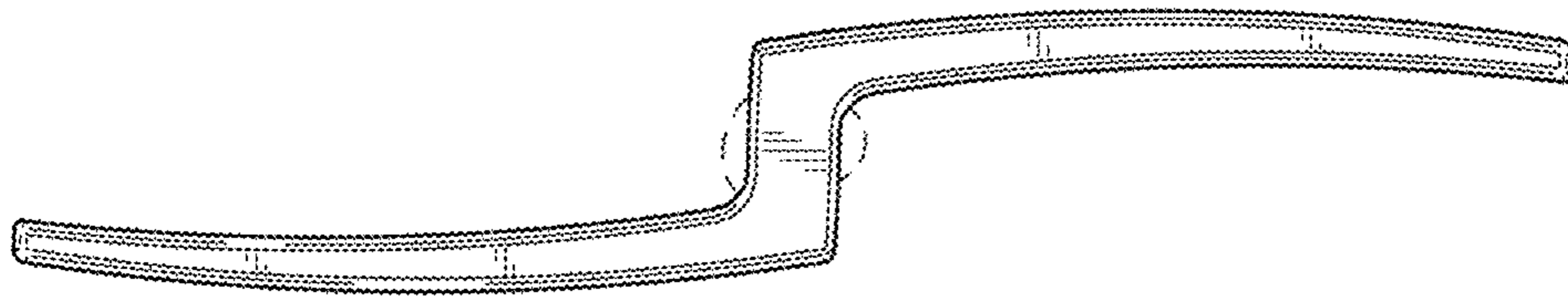


FIG. 6

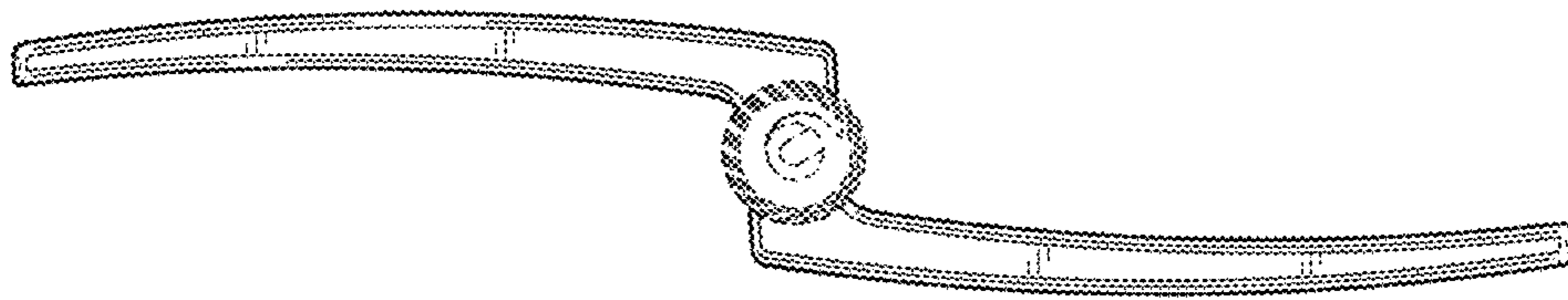


FIG. 7