



US00D797532S

(12) **United States Design Patent**
Durand et al.

(10) **Patent No.:** **US D797,532 S**
(45) **Date of Patent:** **** Sep. 19, 2017**

(54) **HANDLE FOR A TOOL**

(71) Applicant: **STAGE N9NE DISTRIBUTION (PTY) LTD**, Paarl (ZA)

(72) Inventors: **Vincent Durand**, Paarl (ZA); **Stefan Alexander Sahn**, Münsingen (CH); **Anton Marcel Du Toit**, Paarl (ZA)

(73) Assignee: **STAGE N9NE DISTRIBUTION (PTY) LTD** (ZA)

(**) Term: **15 Years**

(21) Appl. No.: **29/544,972**

(22) Filed: **Nov. 9, 2015**

(51) **LOC (10) Cl.** **08-05**

(52) **U.S. Cl.**
USPC **D8/31**

(58) **Field of Classification Search**
USPC D8/14, 31, 82-85, 87, 107, 303, 307;
D12/604
CPC B25B 5/003; B25B 5/006; B25B 5/068;
B25B 5/102; B25B 5/16; B25B 5/163;
B25B 5/166; B27B 27/10
See application file for complete search history.

(56) **References Cited**

U.S. PATENT DOCUMENTS

D37,996 S *	5/1906	Tower	81/489
D37,997 S *	5/1906	Tower	81/489
D123,490 S *	11/1940	Saffell	D8/107
2,931,261 A *	4/1960	Crandall	B29C 73/08 156/97
3,013,454 A *	12/1961	Gruber	B29C 73/08 152/370
3,145,592 A *	8/1964	Klune	B29C 73/08 221/275
3,296,048 A *	1/1967	Wolfe	B29C 73/06 152/370

(Continued)

OTHER PUBLICATIONS

Samurai Tubless Plug System (for Bicycle Tires). Snagged Sep. 16, 2016 from <http://stagen9ne.co.za/>.*

Primary Examiner — Philip S Hyder

Assistant Examiner — Roselynn Cody

(74) *Attorney, Agent, or Firm* — Fitch Even Tabin & Flannery LLP

(57) **CLAIM**

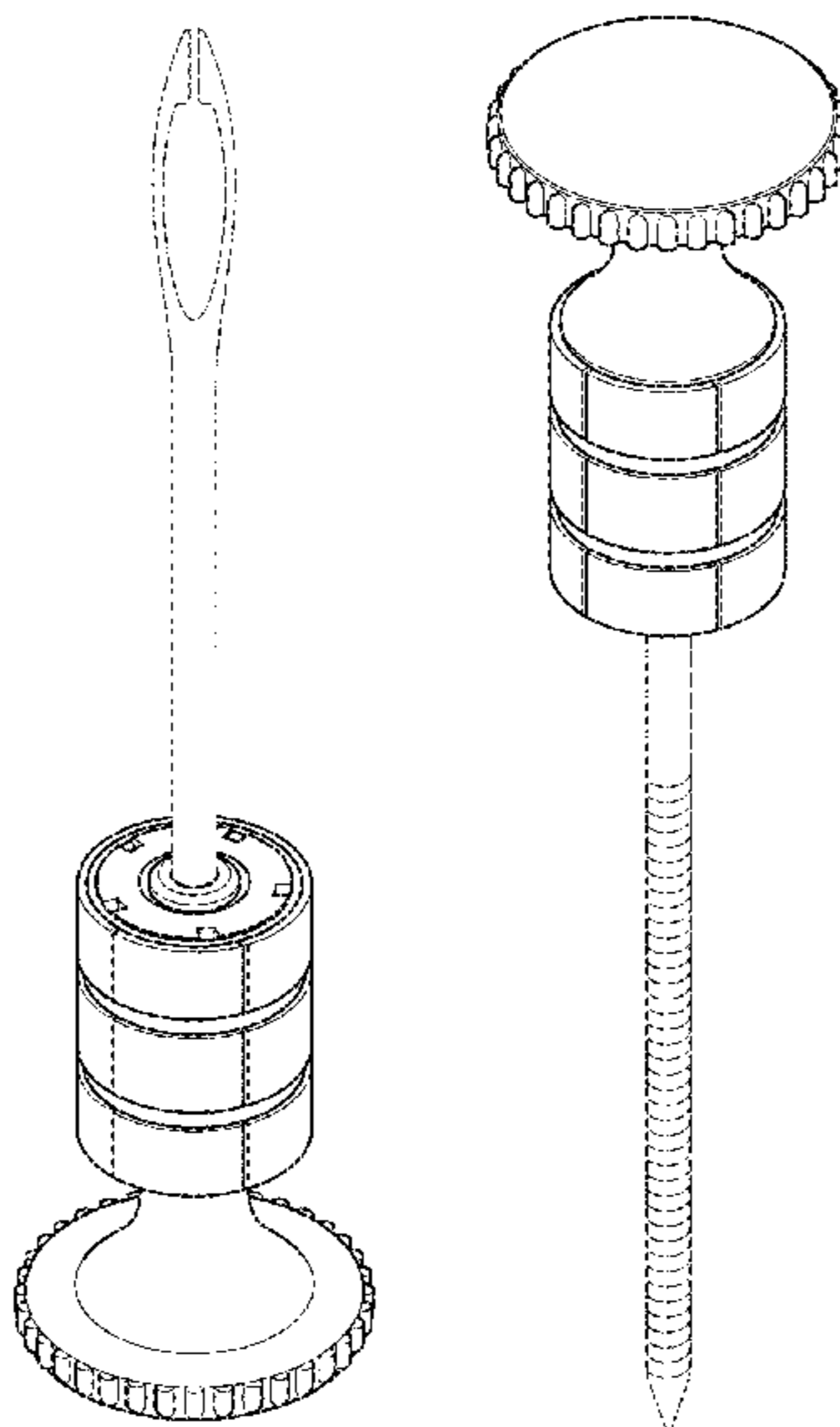
We claim the ornamental design for a handle for a tool, as shown and described.

DESCRIPTION

FIG. 1 is a top perspective view of the handle for a tool, showing a first operating end in broken lines; FIG. 2 is a bottom perspective view thereof; FIG. 3 is a front view thereof; FIG. 4 is a left side view thereof; FIG. 5 is a top plan view thereof; FIG. 6 is a right side view thereof; FIG. 7 is a rear view thereof; and FIG. 8 is a bottom plan view thereof. FIG. 9 is a top perspective view of the handle for a tool, showing a second operating end in broken lines; FIG. 10 is a bottom perspective view thereof; FIG. 11 is a front view thereof; FIG. 12 is a left side view thereof; FIG. 13 is a top plan view thereof; FIG. 14 is a right side view thereof; FIG. 15 is a rear view thereof; FIG. 16 is a bottom plan view thereof; and, FIG. 17 is a three-dimensional view of the tool of FIG. 1 and the tool of FIG. 9 inserted into a storage position in opposing handlebars of a bicycle.

The operating end of the tool of FIGS. 1-7 and FIGS. 9-15, as well as the bicycle of FIG. 17 plus the operating end of the tool(s) in FIG. 17 are shown in broken lines to indicate environment that forms no part of the claim.

1 Claim, 7 Drawing Sheets



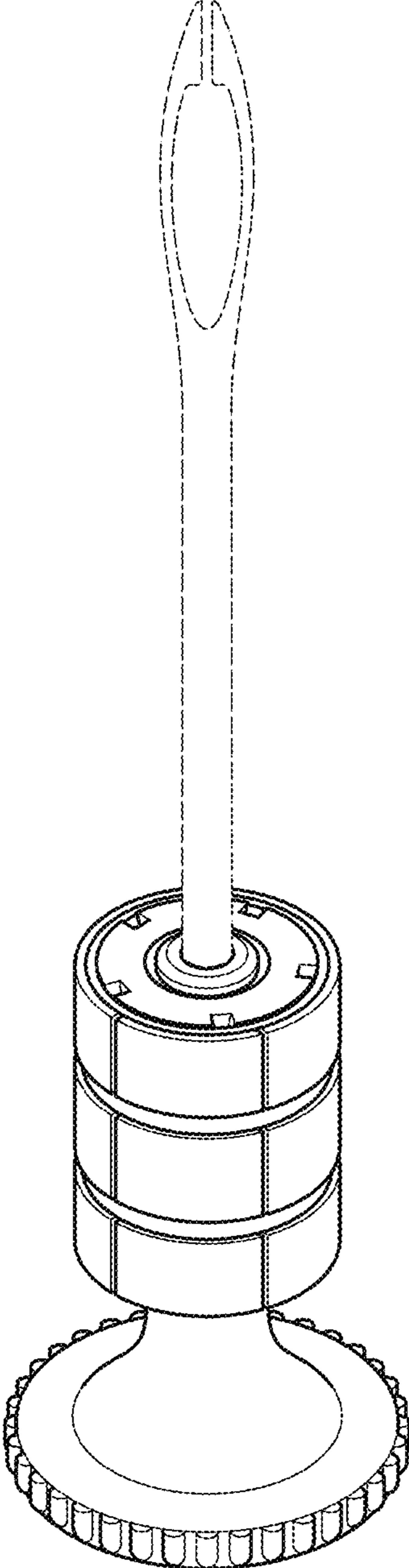


Figure 1

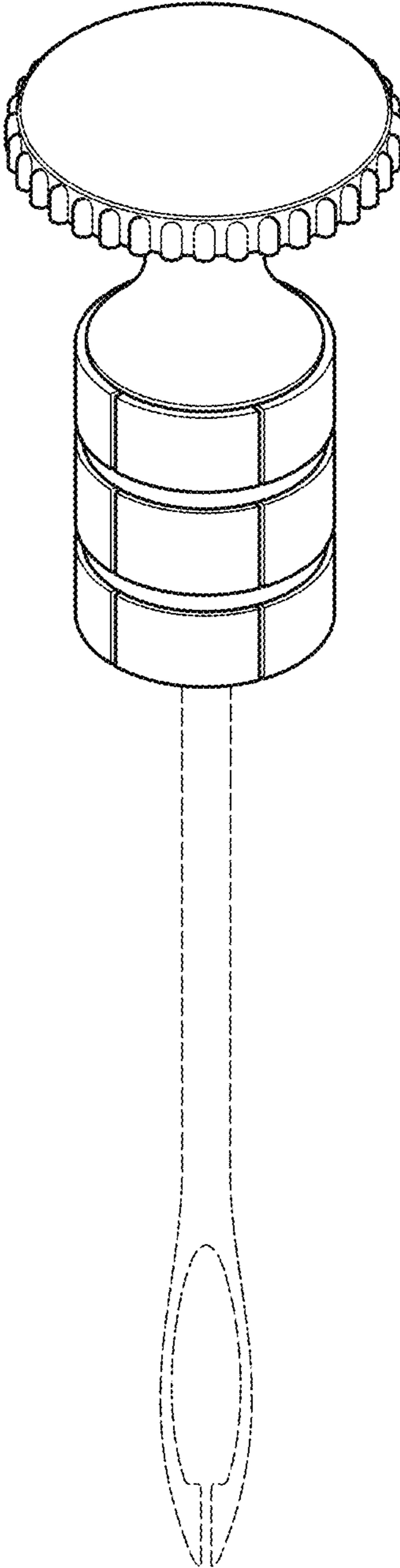


Figure 2

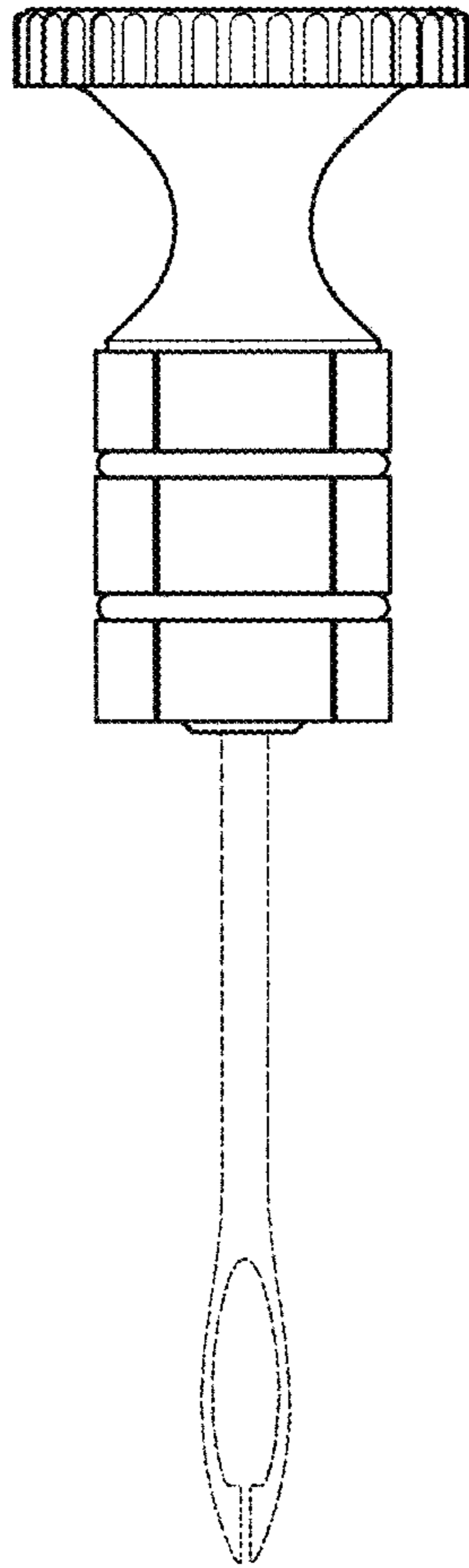


Figure 3

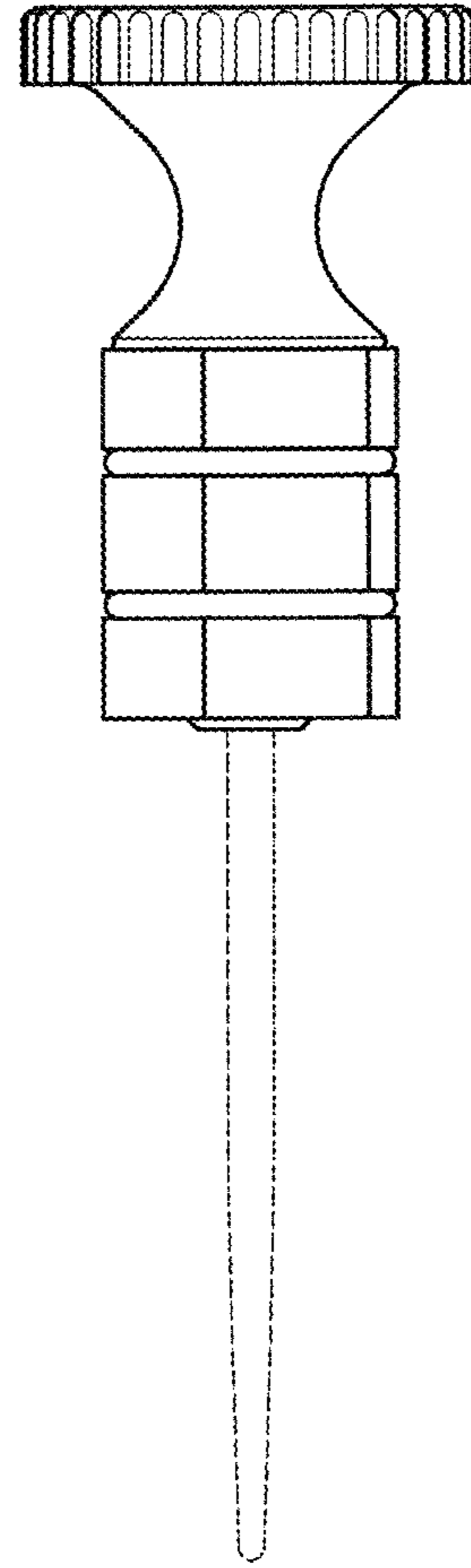


Figure 4

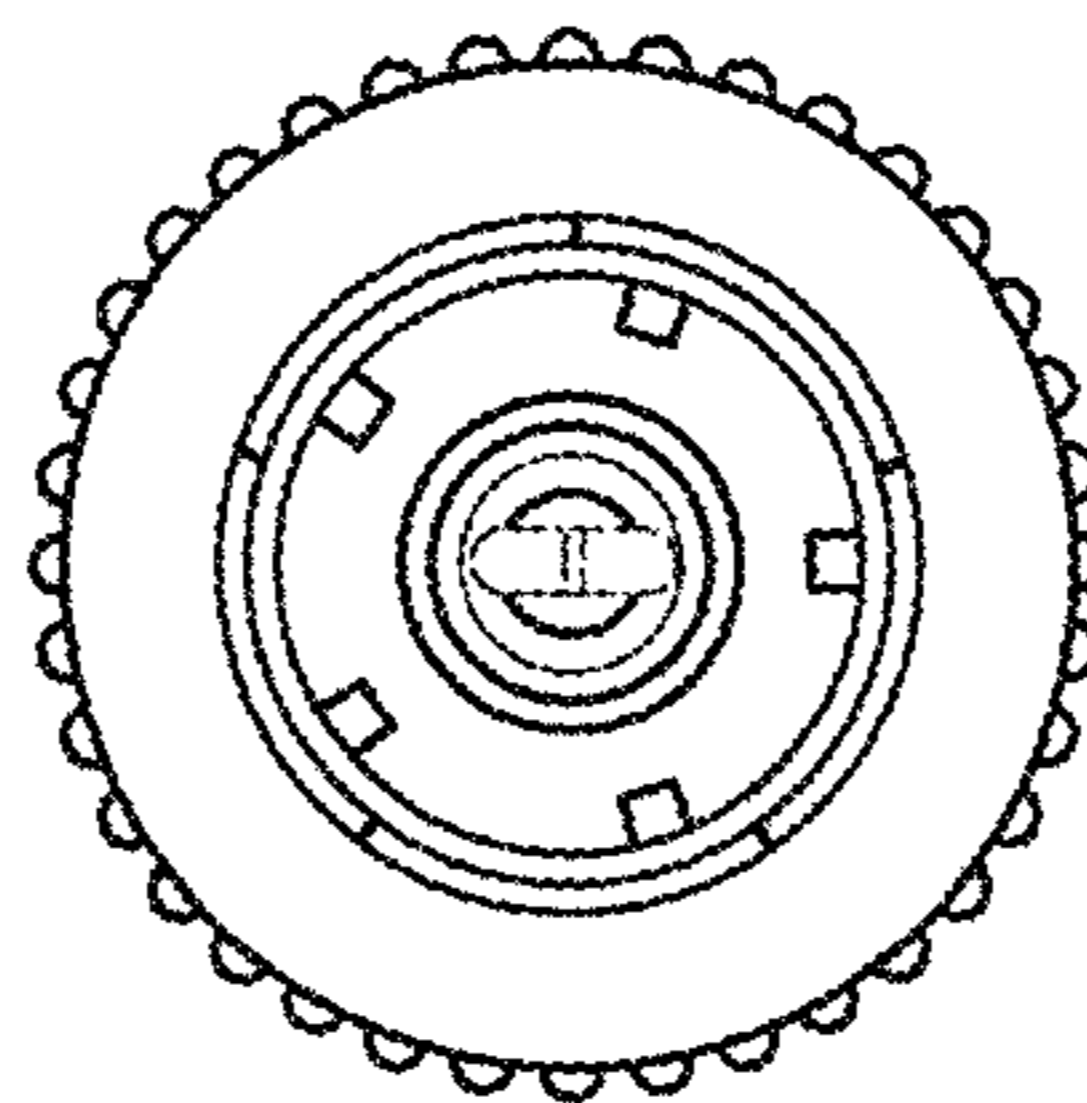


Figure 5

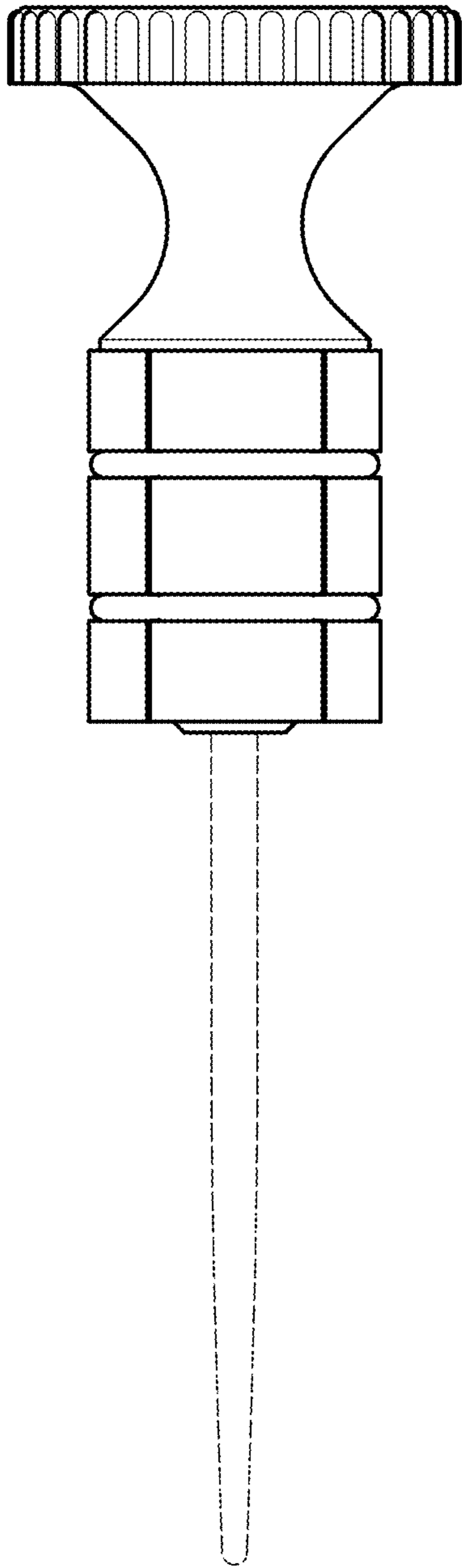


Figure 6

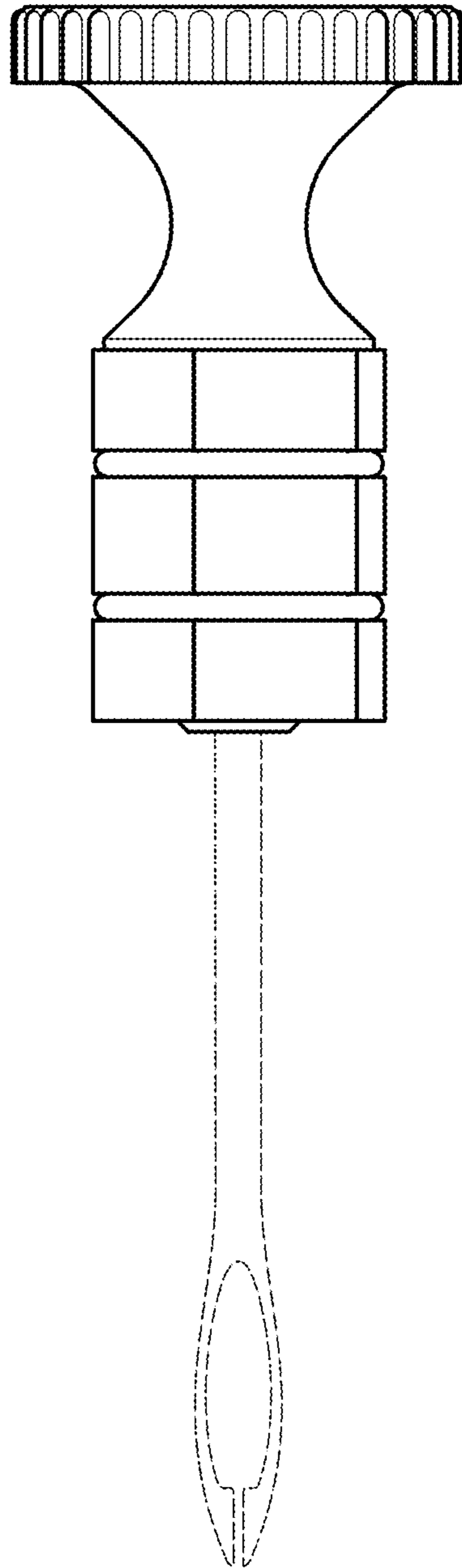


Figure 7

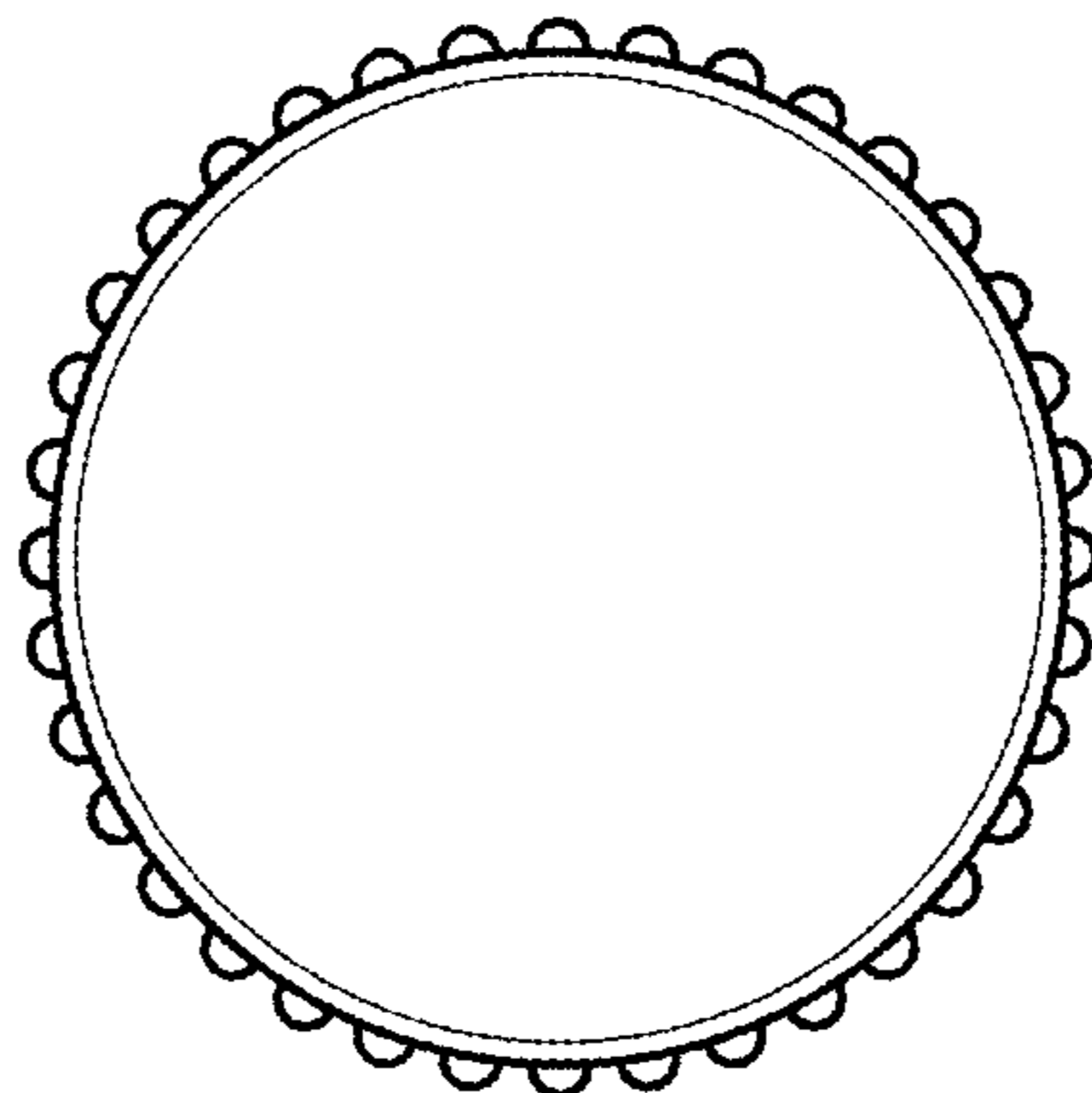


Figure 8

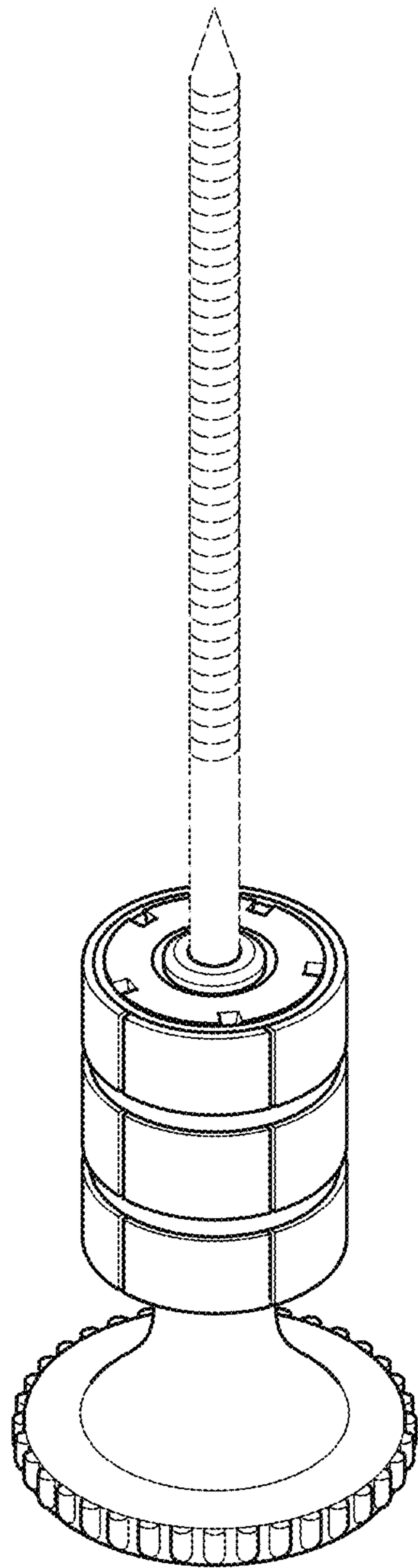


Figure 9

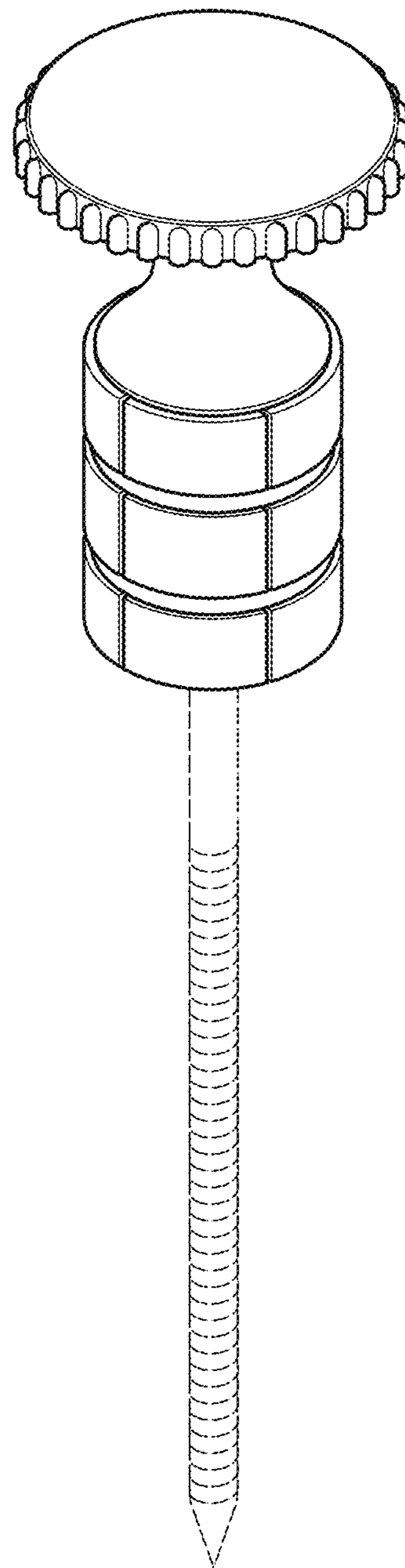


Figure 10

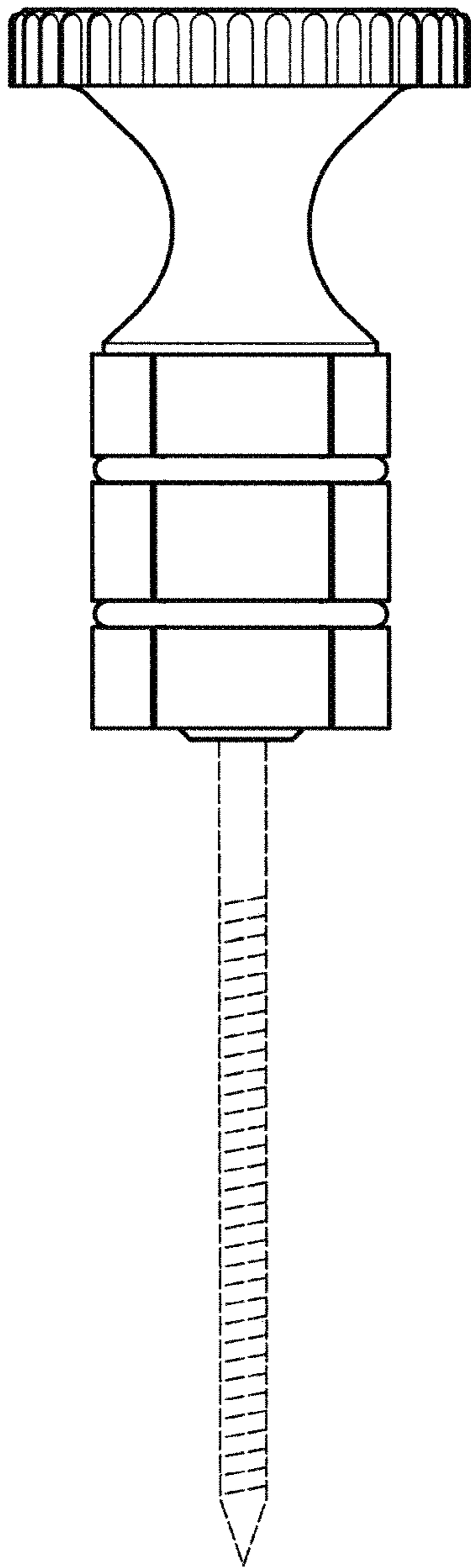


Figure 11

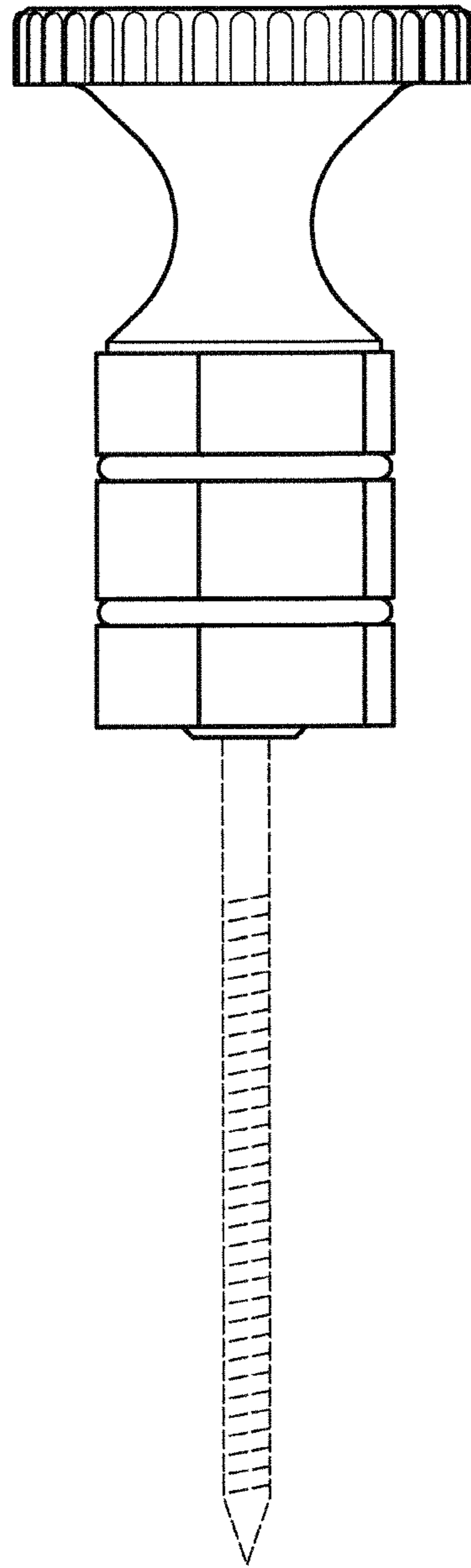


Figure 12

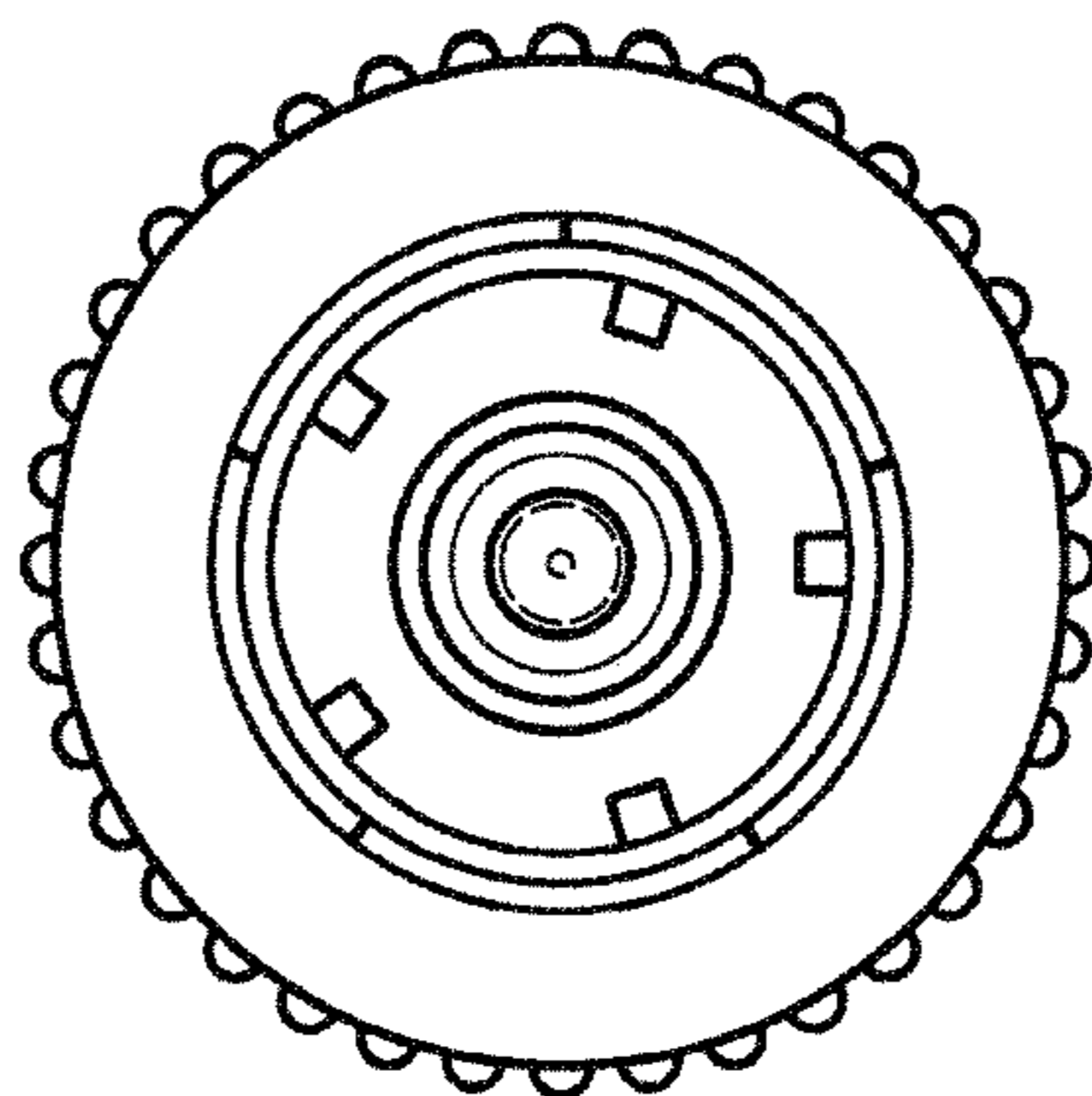


Figure 13

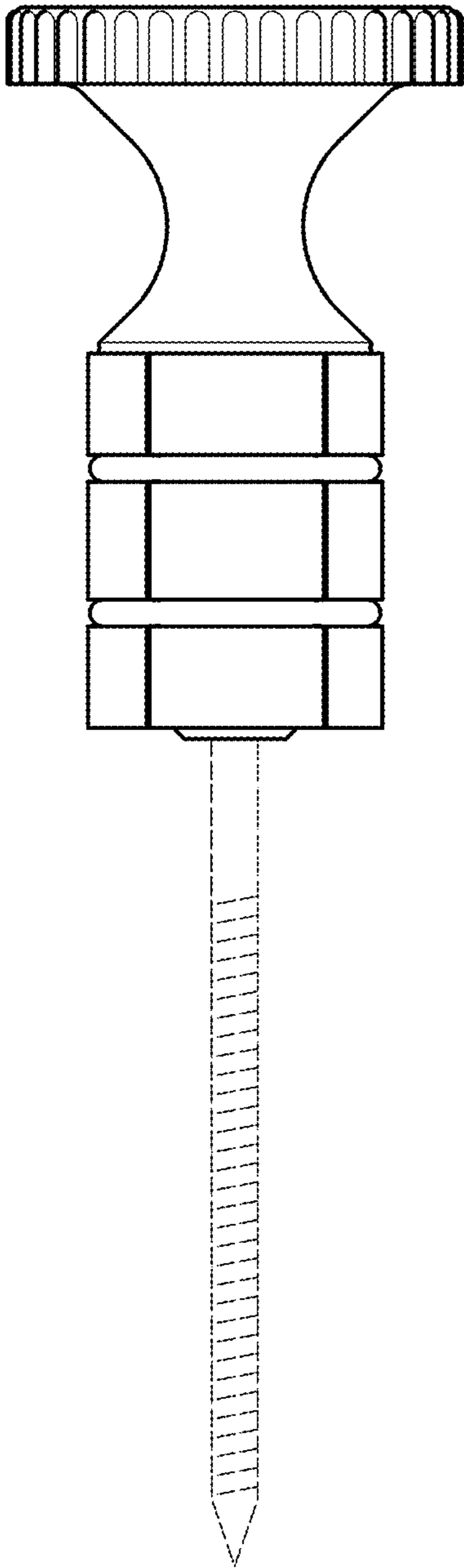


Figure 14

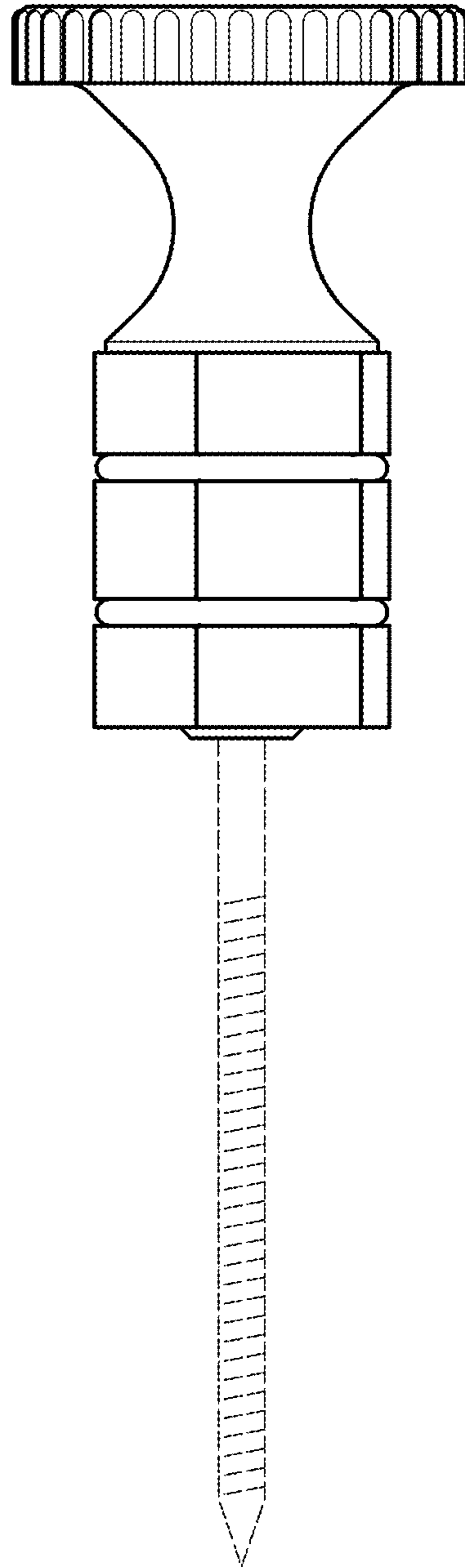


Figure 15

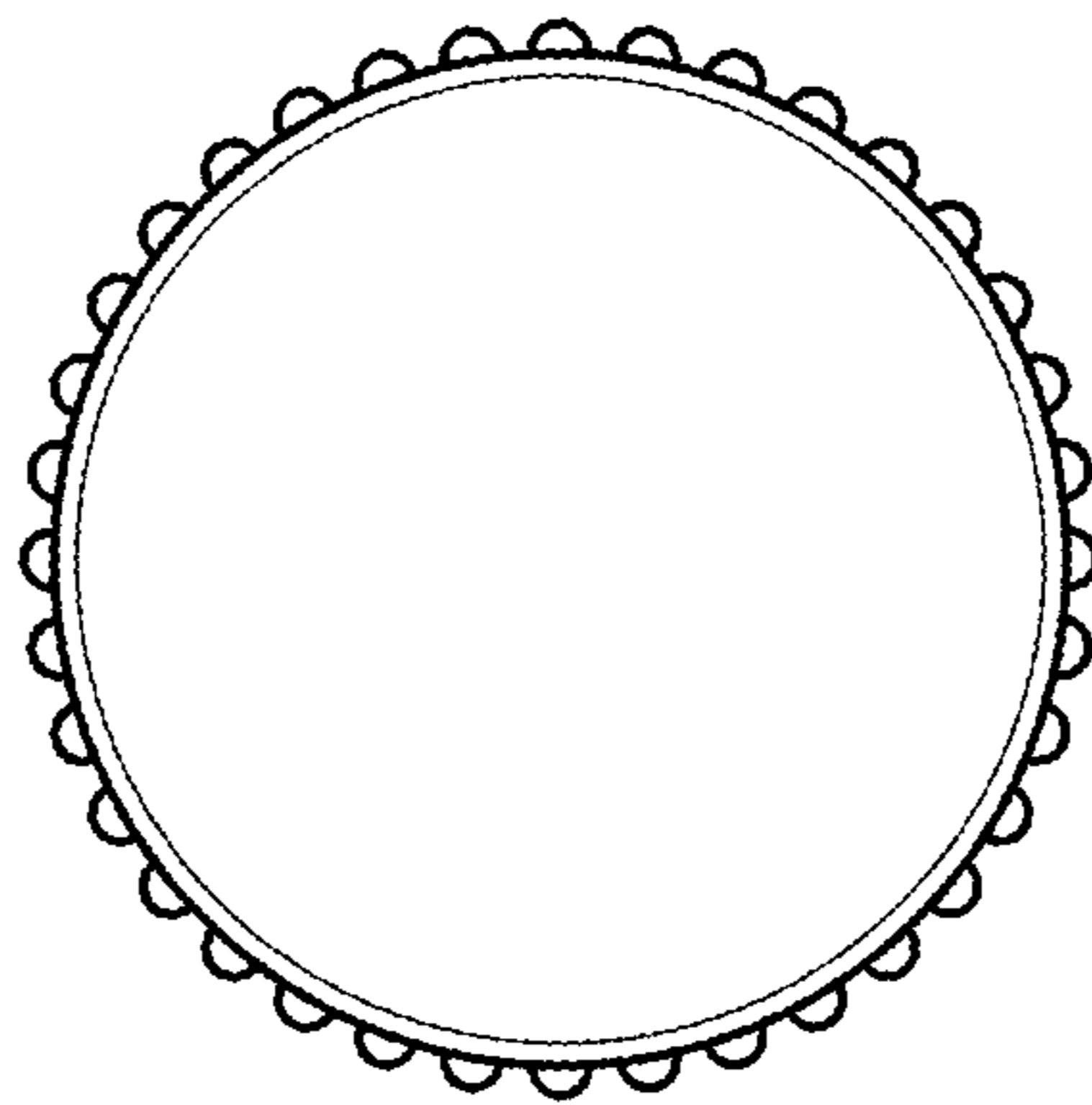


Figure 16

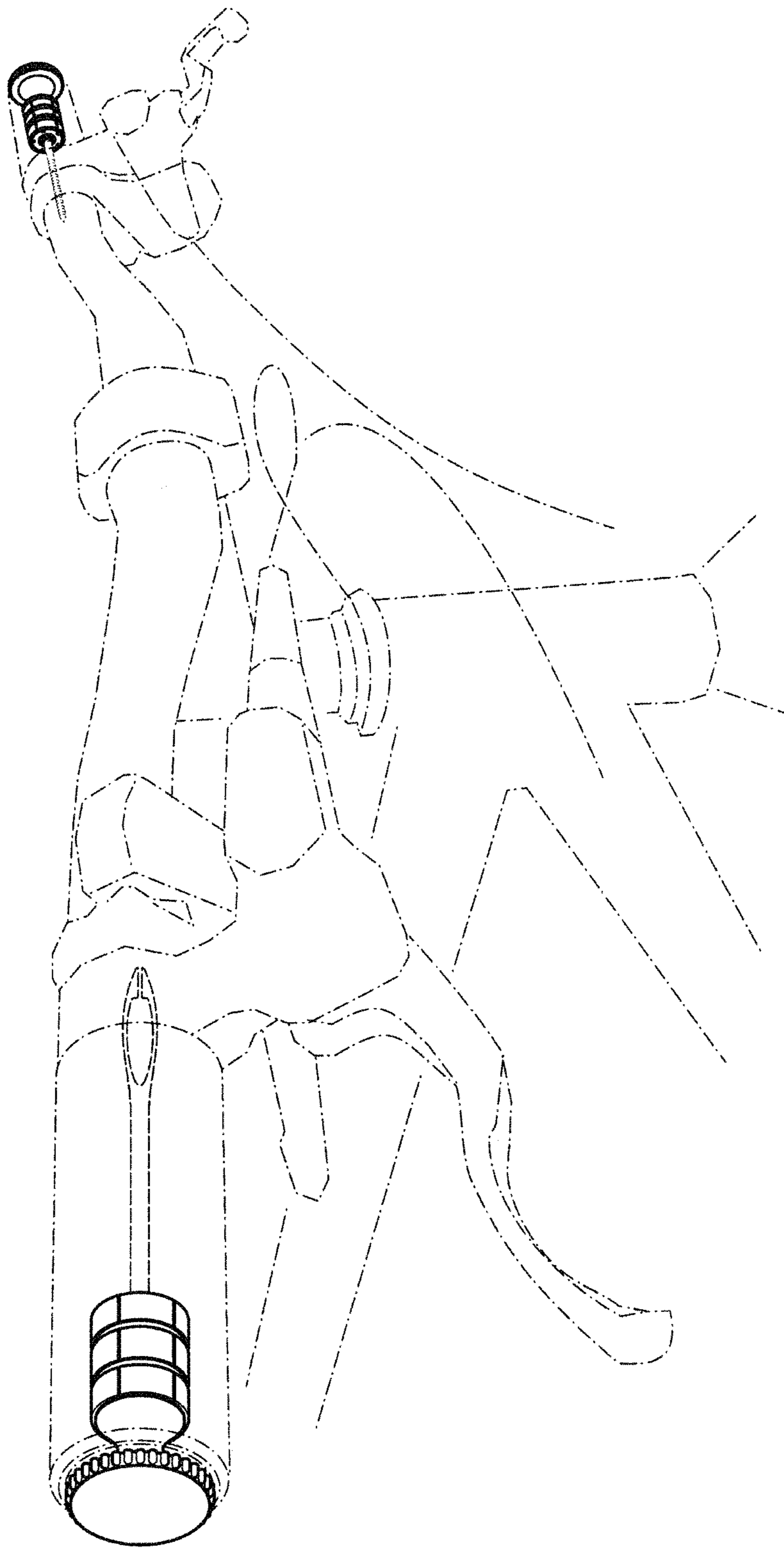


Figure 17