

US00D797531S

(12) **United States Design Patent**  
**Albertson**

(10) **Patent No.:** **US D797,531 S**

(45) **Date of Patent:** **\*\* Sep. 19, 2017**

(54) **SOCKET WRENCH COLLECTOR**  
(71) Applicant: **Robert V. Albertson**, Mound, MN (US)  
(72) Inventor: **Robert V. Albertson**, Mound, MN (US)  
(\*\*) Term: **15 Years**

(21) Appl. No.: **29/620,260**

(22) Filed: **Sep. 7, 2016**

(51) **LOC (10) Cl.** ..... **08-05**

(52) **U.S. Cl.**  
USPC ..... **D8/25**

(58) **Field of Classification Search**  
USPC ..... 81/58, 58.1, 59.1, 60, 61, 62, 63, 63.1,  
81/63.2, 121.1, 125, 177.1, 177.2, 177.85,  
81/180.1, 489; D8/25; 192/44  
CPC ..... B25B 13/00; B25B 13/48; B25B 23/02;  
B25B 23/10; B25B 13/46; B25B 13/462;  
B25G 1/10; B25G 1/00  
See application file for complete search history.

(56) **References Cited**

**U.S. PATENT DOCUMENTS**

|           |      |         |                  |       |                           |
|-----------|------|---------|------------------|-------|---------------------------|
| 5,216,940 | A *  | 6/1993  | Hedden           | ..... | B25B 23/00<br>81/121.1    |
| 5,970,825 | A    | 10/1999 | Barnet et al.    |       |                           |
| 6,067,881 | A    | 5/2000  | Albertson        |       |                           |
| 6,276,239 | B1   | 8/2001  | Albertson        |       |                           |
| 6,516,688 | B2   | 2/2003  | Albertson        |       |                           |
| 6,601,476 | B2 * | 8/2003  | Hu               | ..... | B25B 13/06<br>81/176.1    |
| 6,748,824 | B2 * | 6/2004  | Chen             | ..... | B25B 13/463<br>81/177.85  |
| 6,782,777 | B1 * | 8/2004  | Wei              | ..... | B25B 23/0035<br>81/177.85 |
| D521,824  | S    | 5/2006  | Albertson et al. |       |                           |
| 7,077,032 | B1 * | 7/2006  | Lee              | ..... | B25B 15/04<br>81/62       |

D529,778 S \* 10/2006 Albertson ..... D8/70  
8,904,907 B2 12/2014 Douglass  
D727,120 S \* 4/2015 Wang ..... D8/25  
(Continued)

*Primary Examiner* — Randall Gholson  
(74) *Attorney, Agent, or Firm* — Richard O. Bartz

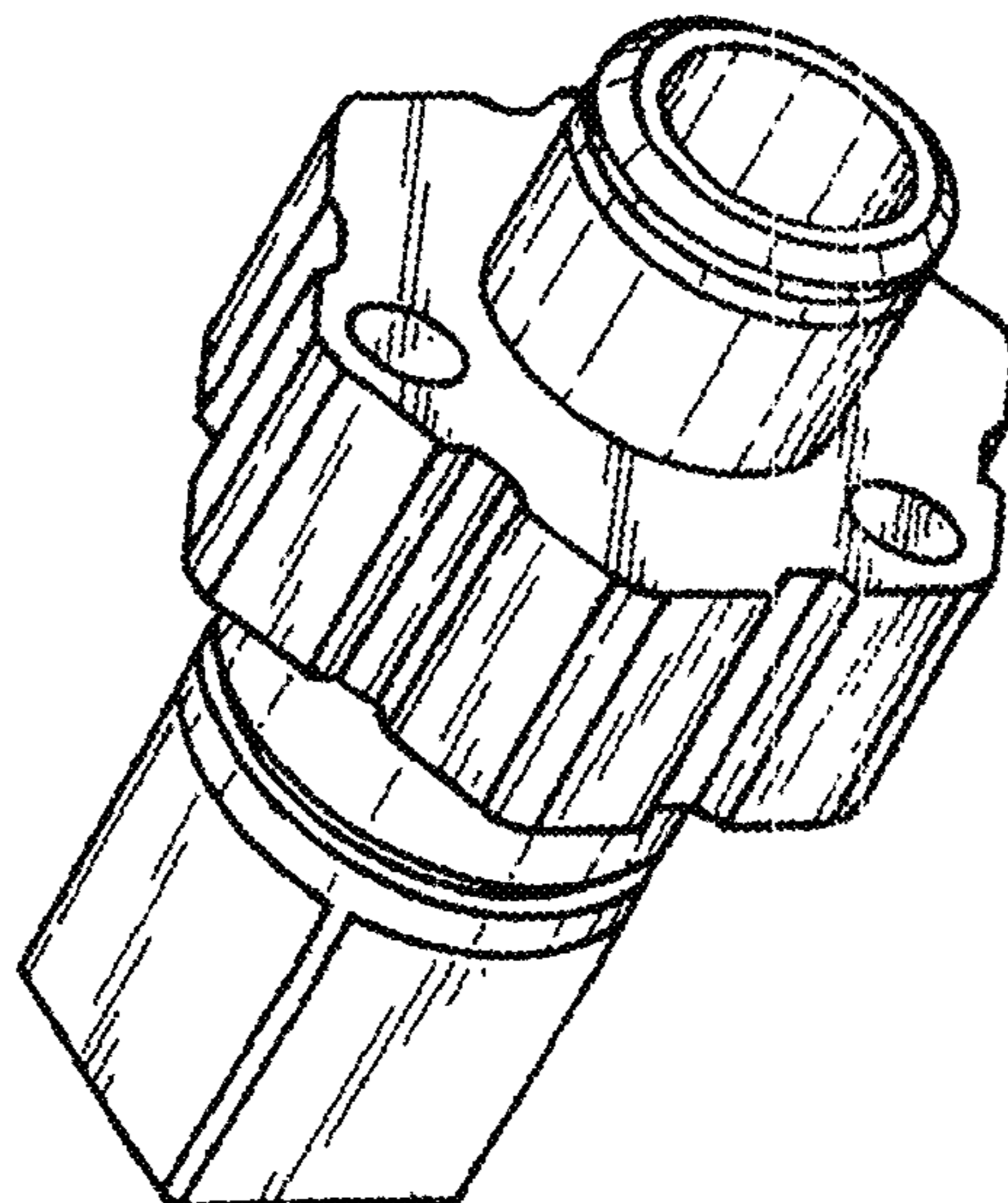
(57) **CLAIM**

The ornamental design of a socket wrench collector, as shown and described.

**DESCRIPTION**

FIG. 1 is a perspective view of a first embodiment of the socket wrench collector of my new design;  
FIG. 2 is a top plan view thereof;  
FIG. 3 is a bottom plan view thereof;  
FIG. 4 is a right side elevational view thereof;  
FIG. 5 is a left side elevational view thereof;  
FIG. 6 is a front elevational view thereof;  
FIG. 7 is a back elevational view thereof.  
FIG. 8 is a sectional view taken along line 8-8 of FIG. 2;  
FIG. 9 is a sectional view taken along line 9-9 of FIG. 2;  
FIG. 10 is a sectional view taken along line 10-10 of FIG. 2;  
FIG. 11 is a perspective view of a second embodiment of the socket wrench collector of my new design;  
FIG. 12 is a top plan view of FIG. 11;  
FIG. 13 is a bottom plan view of FIG. 11;  
FIG. 14 is a right side elevational view of FIG. 11;  
FIG. 15 is a left side elevational view of FIG. 11;  
FIG. 16 is a front elevational view of FIG. 11;  
FIG. 17 is a back elevational view of FIG. 11;  
FIG. 18 is a sectional view taken along line 18-18 of FIG. 12;  
FIG. 19 is a sectional view taken along line 19-19 of FIG. 12; and,  
FIG. 20 is a sectional view taken along line 20-20 of FIG. 12.

**1 Claim, 6 Drawing Sheets**



(56)

**References Cited**

U.S. PATENT DOCUMENTS

9,156,144 B2 \* 10/2015 Gummow ..... B25B 13/462  
2007/0163398 A1 \* 7/2007 Lai Lee ..... B25B 23/0035  
81/59.1

\* cited by examiner

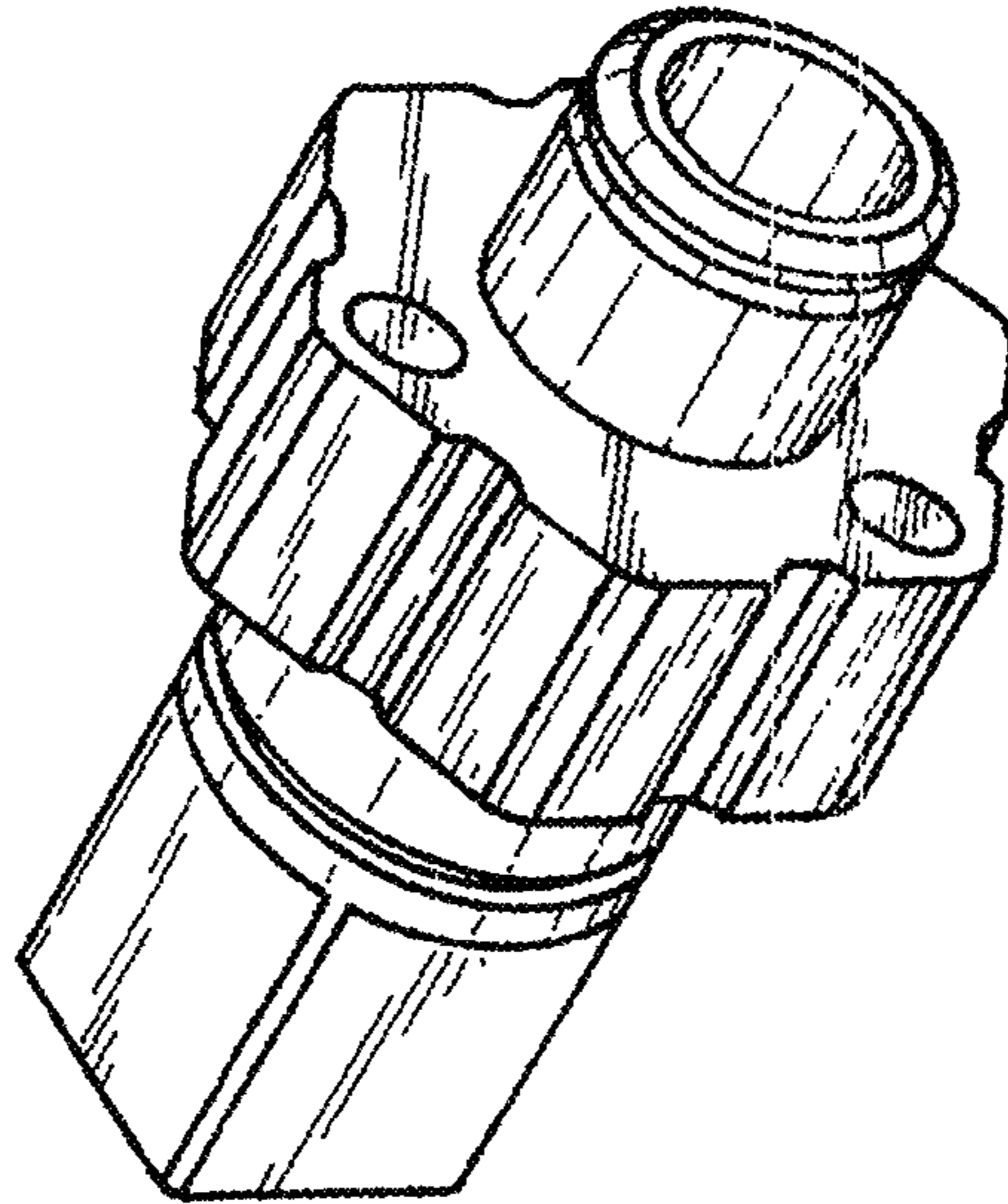


FIG.1

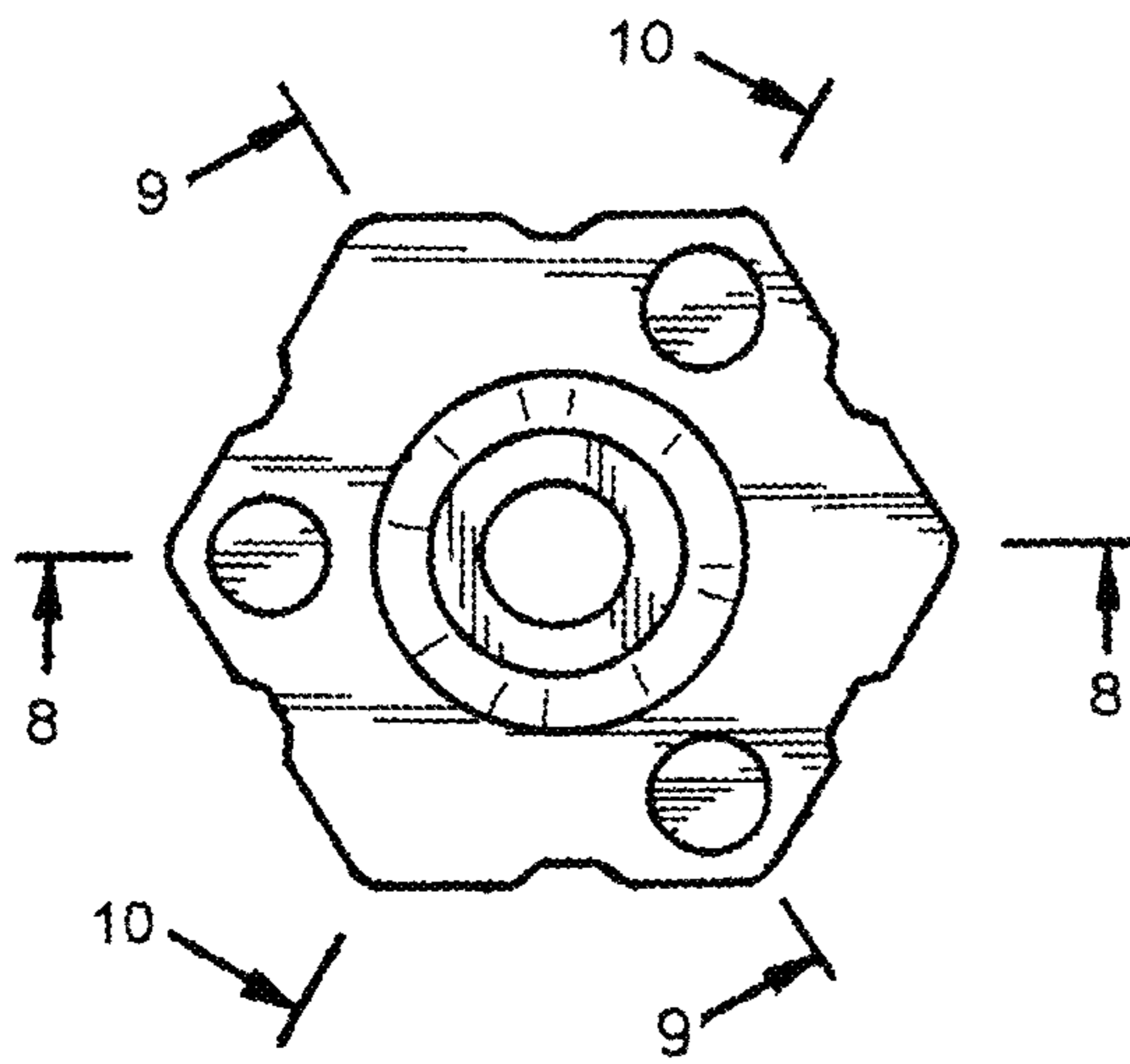


FIG.2

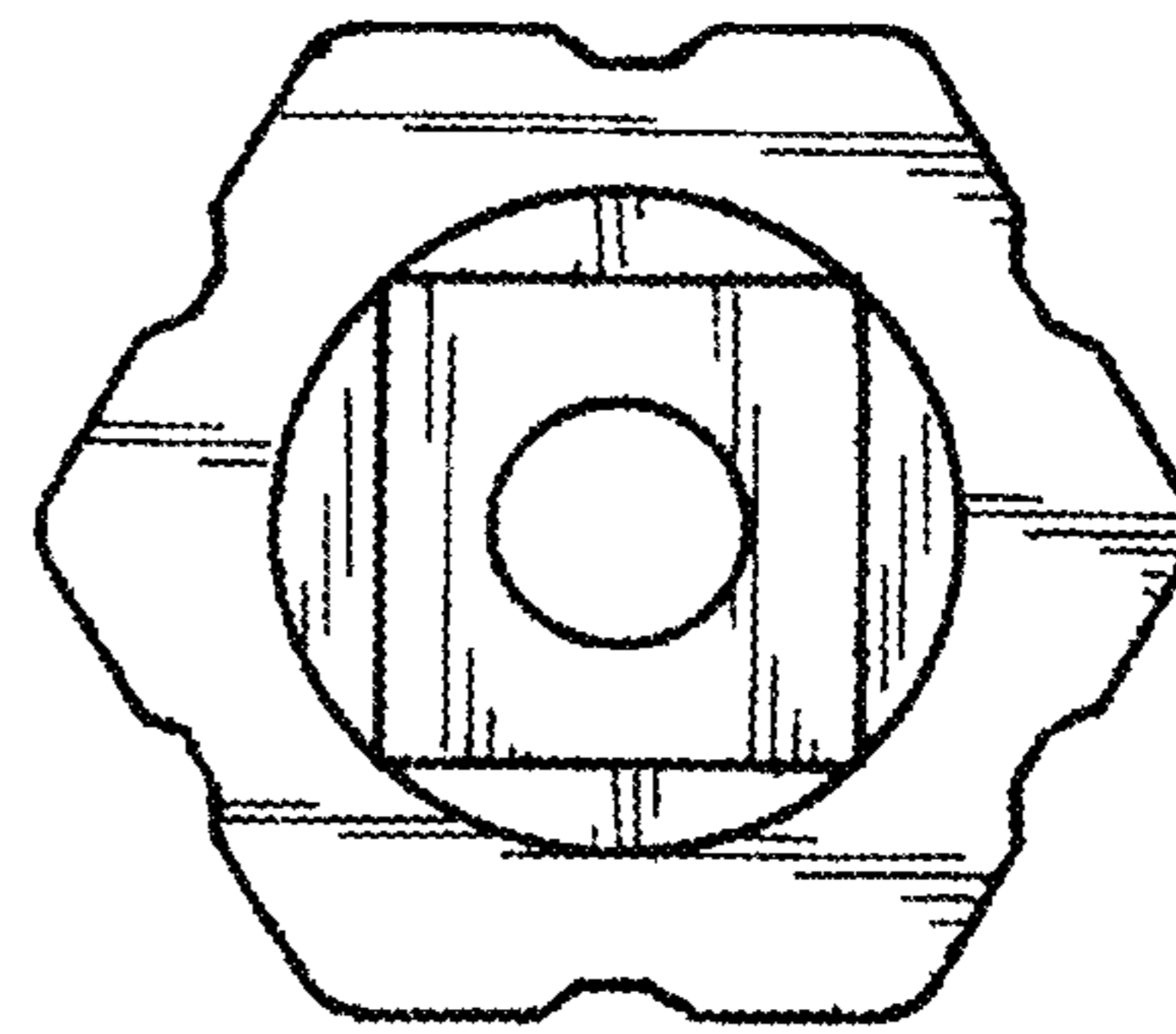


FIG.3

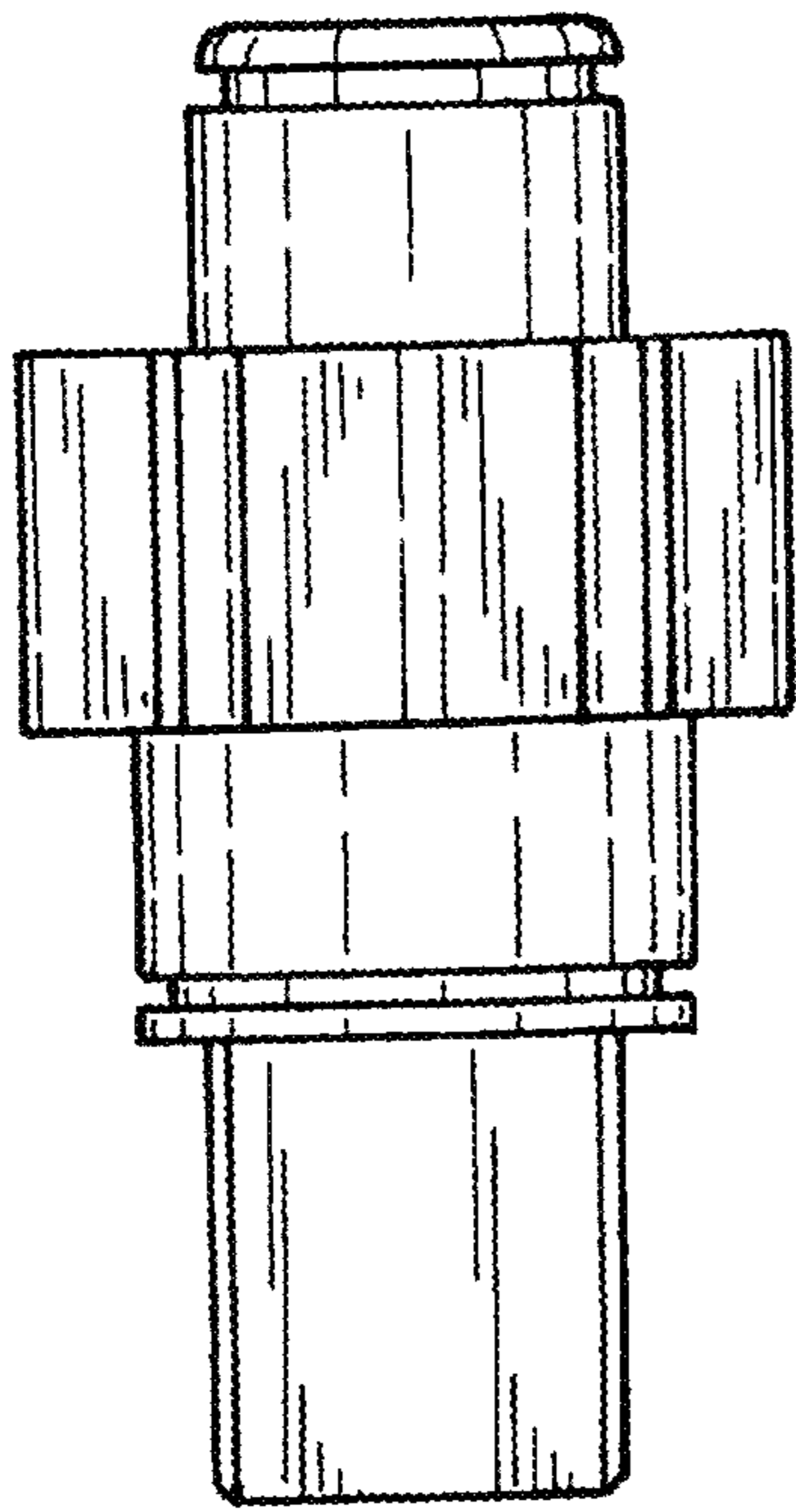


FIG. 4

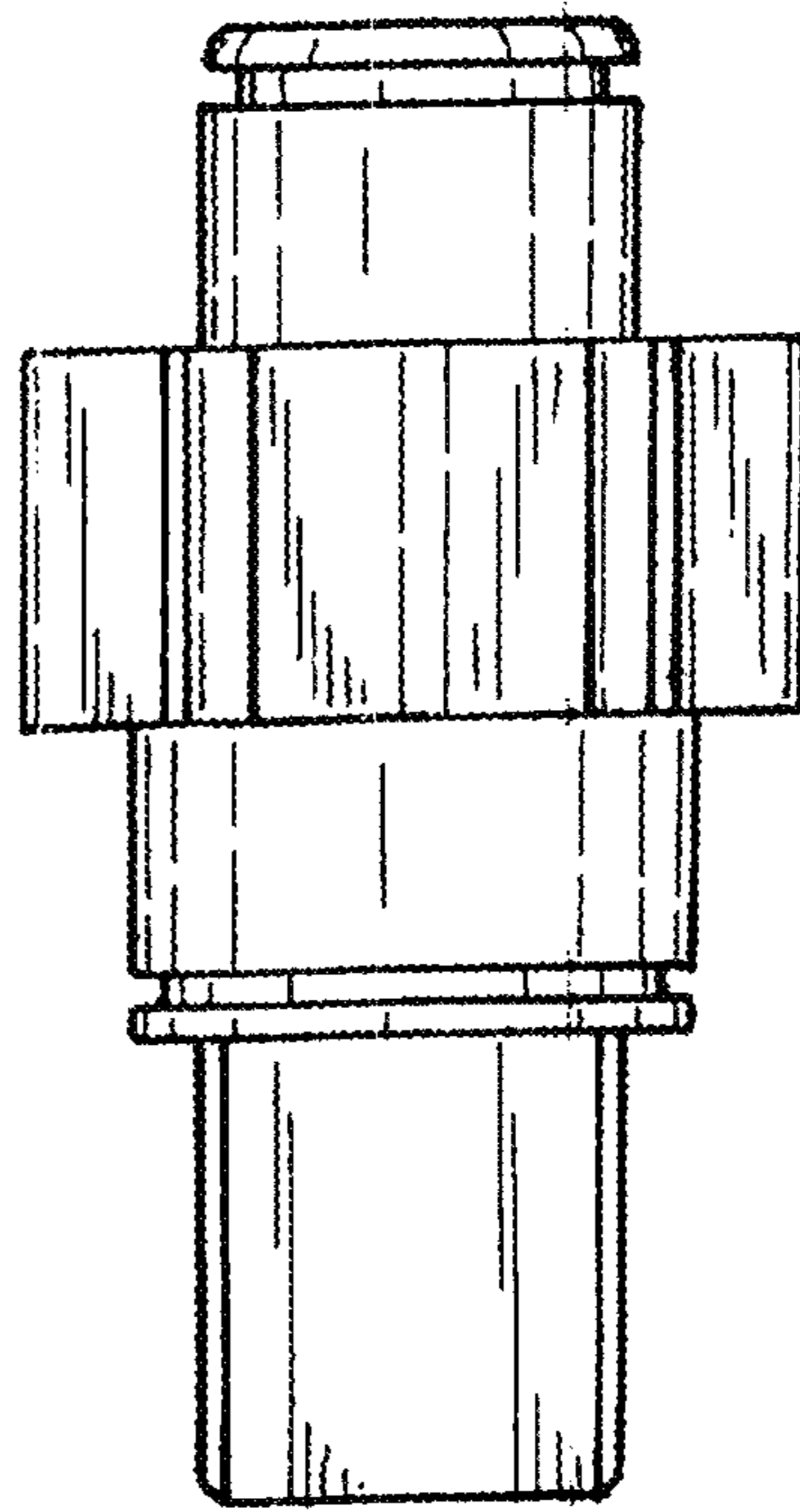


FIG. 5

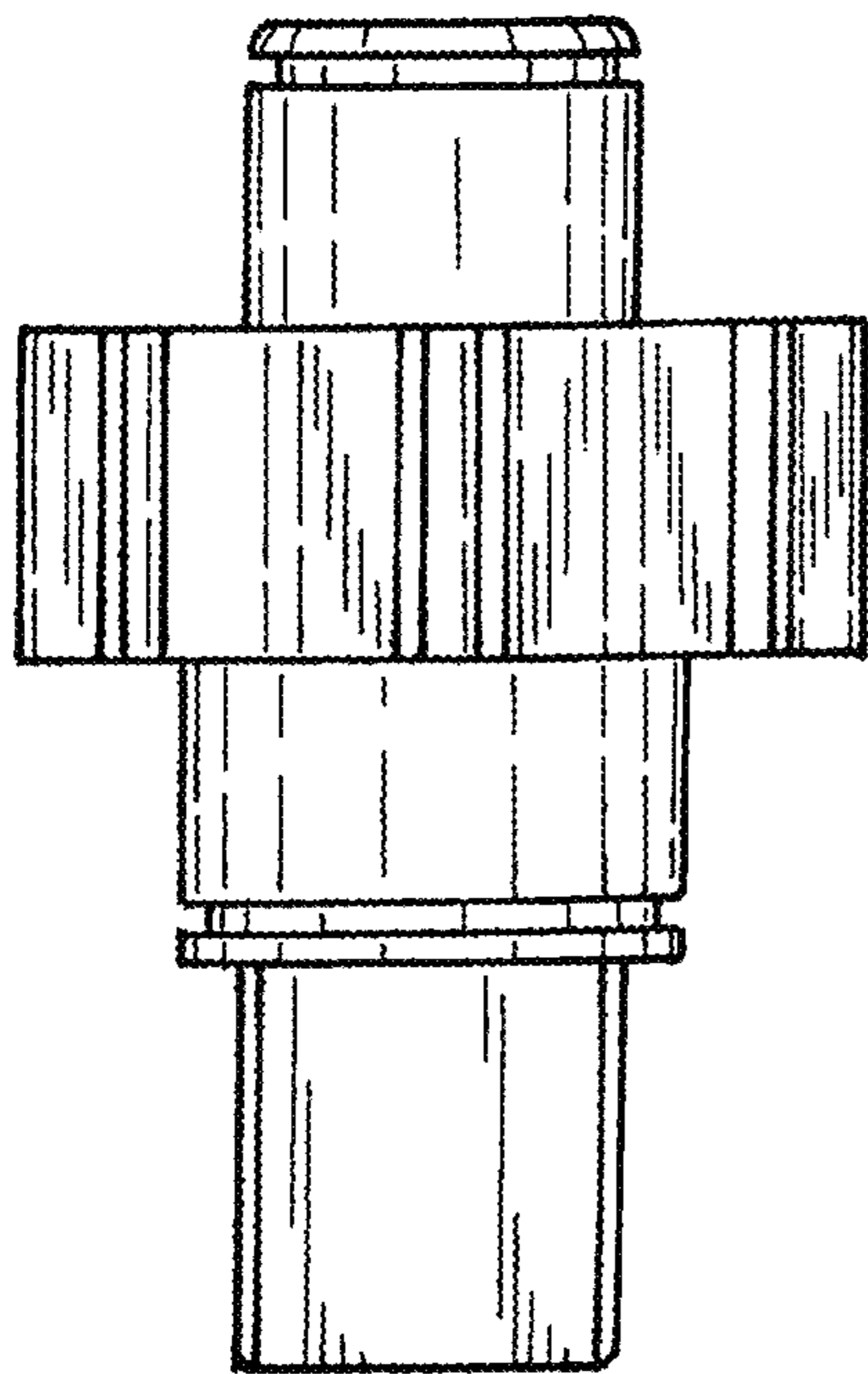


FIG. 6

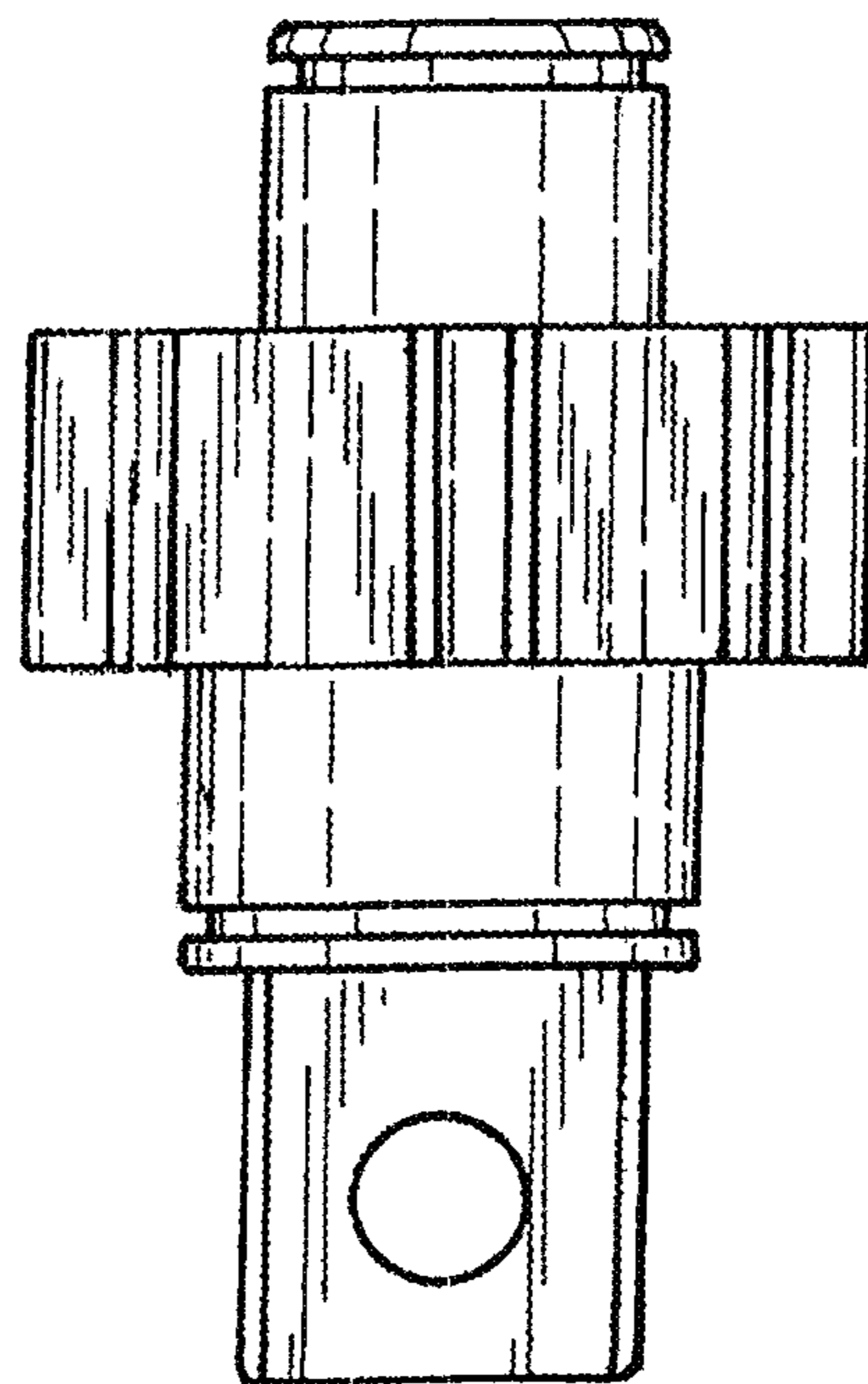


FIG. 7

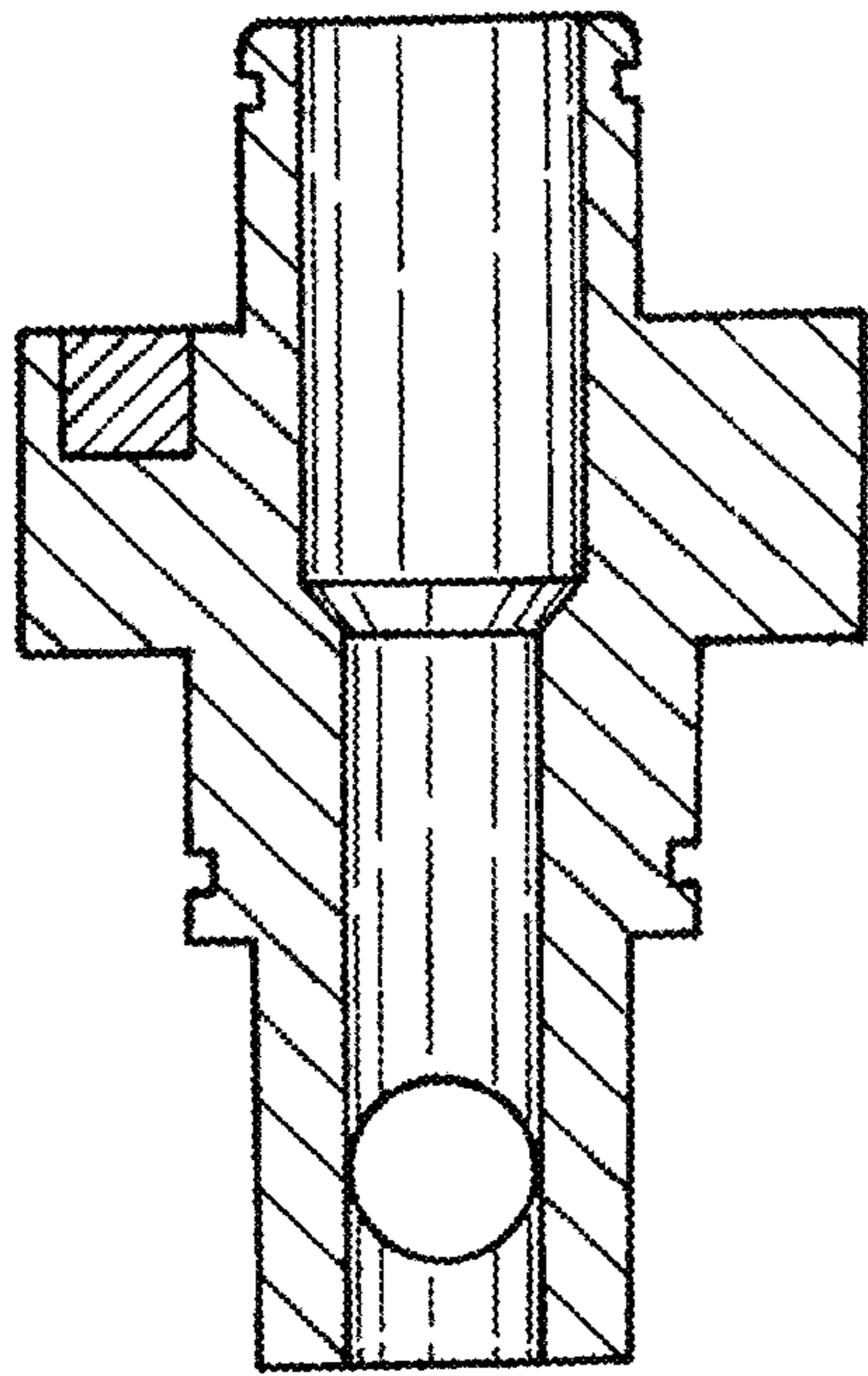


FIG. 8

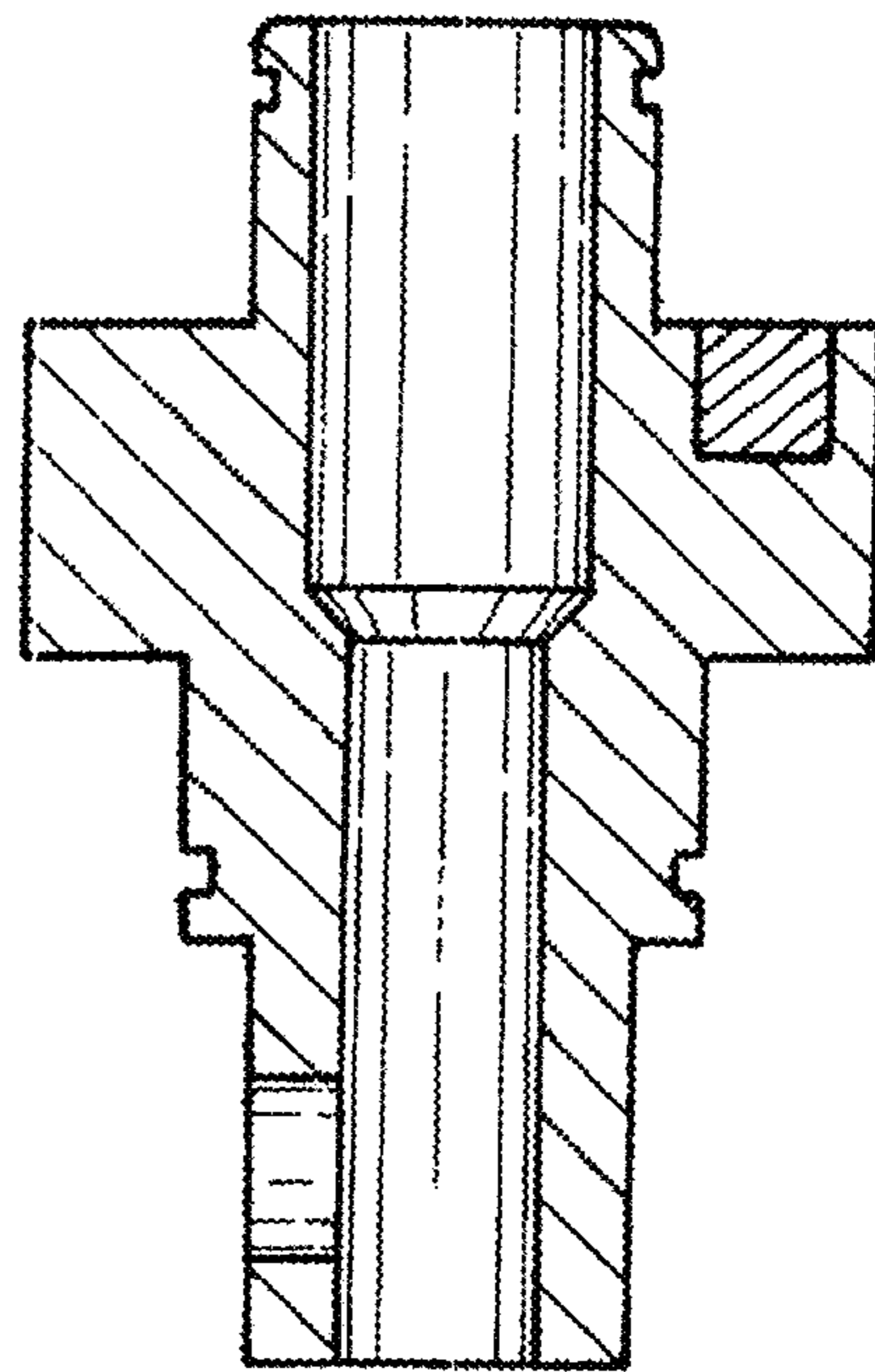


FIG. 9

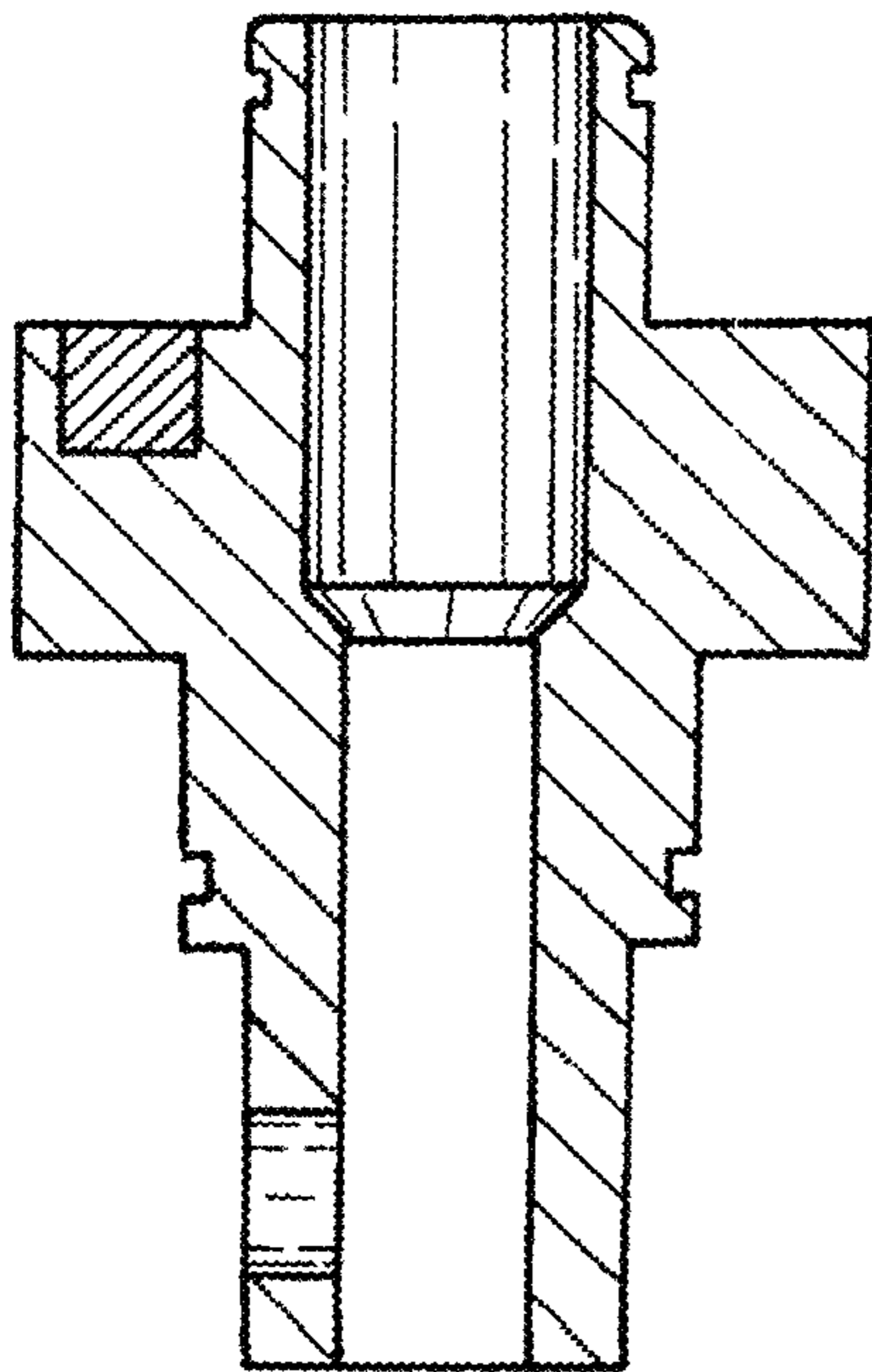


FIG. 10

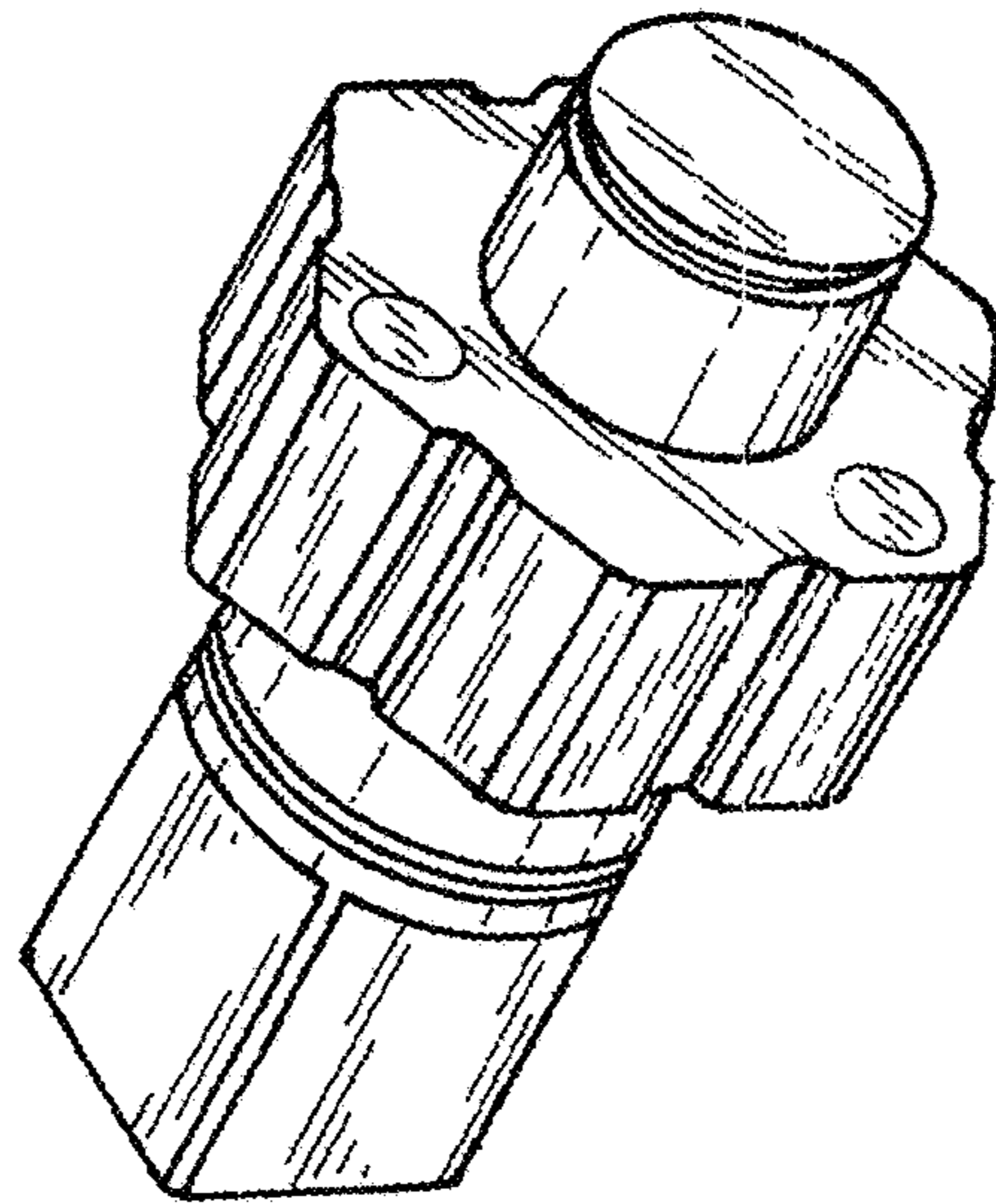


FIG. 11

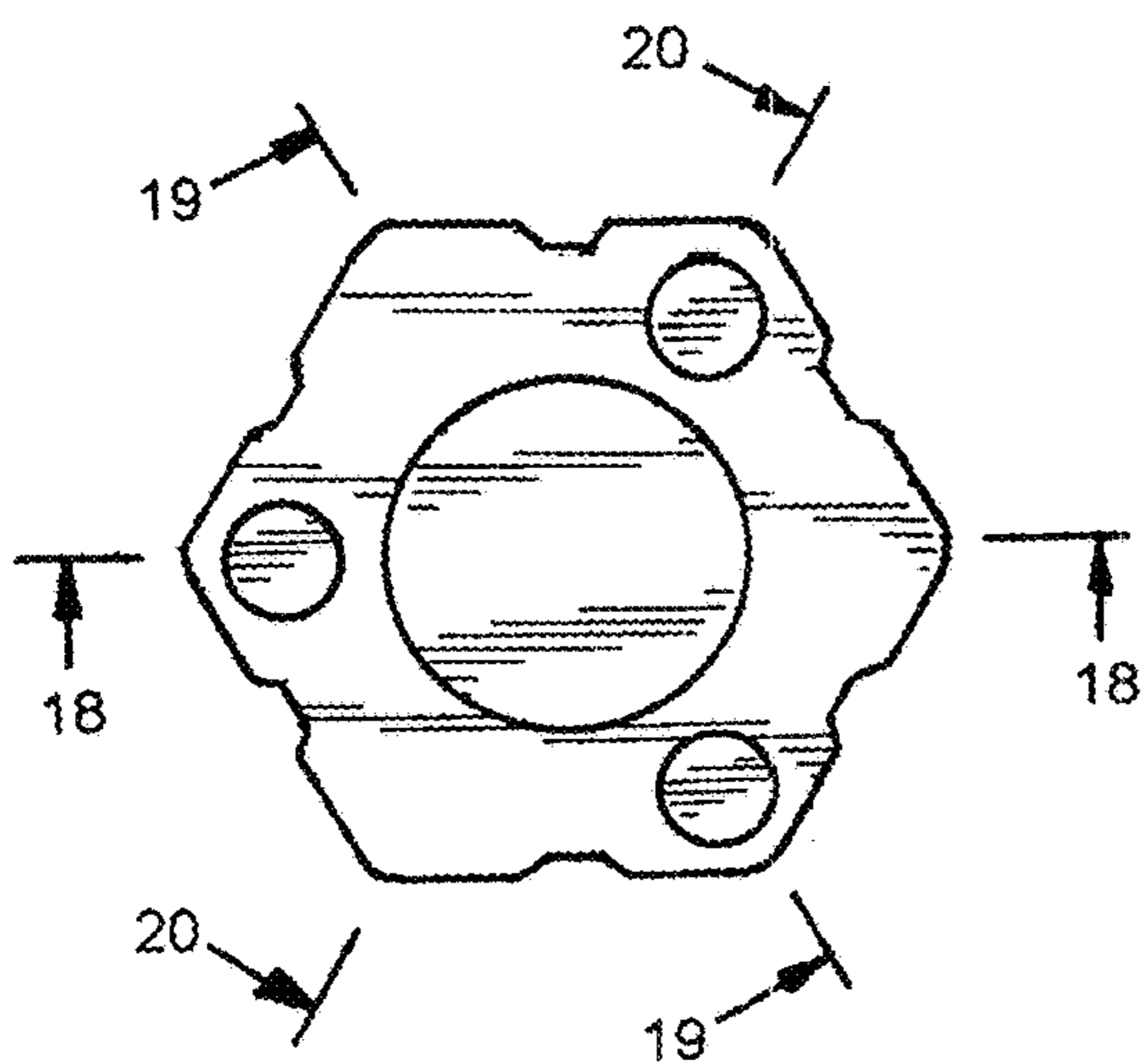


FIG. 12

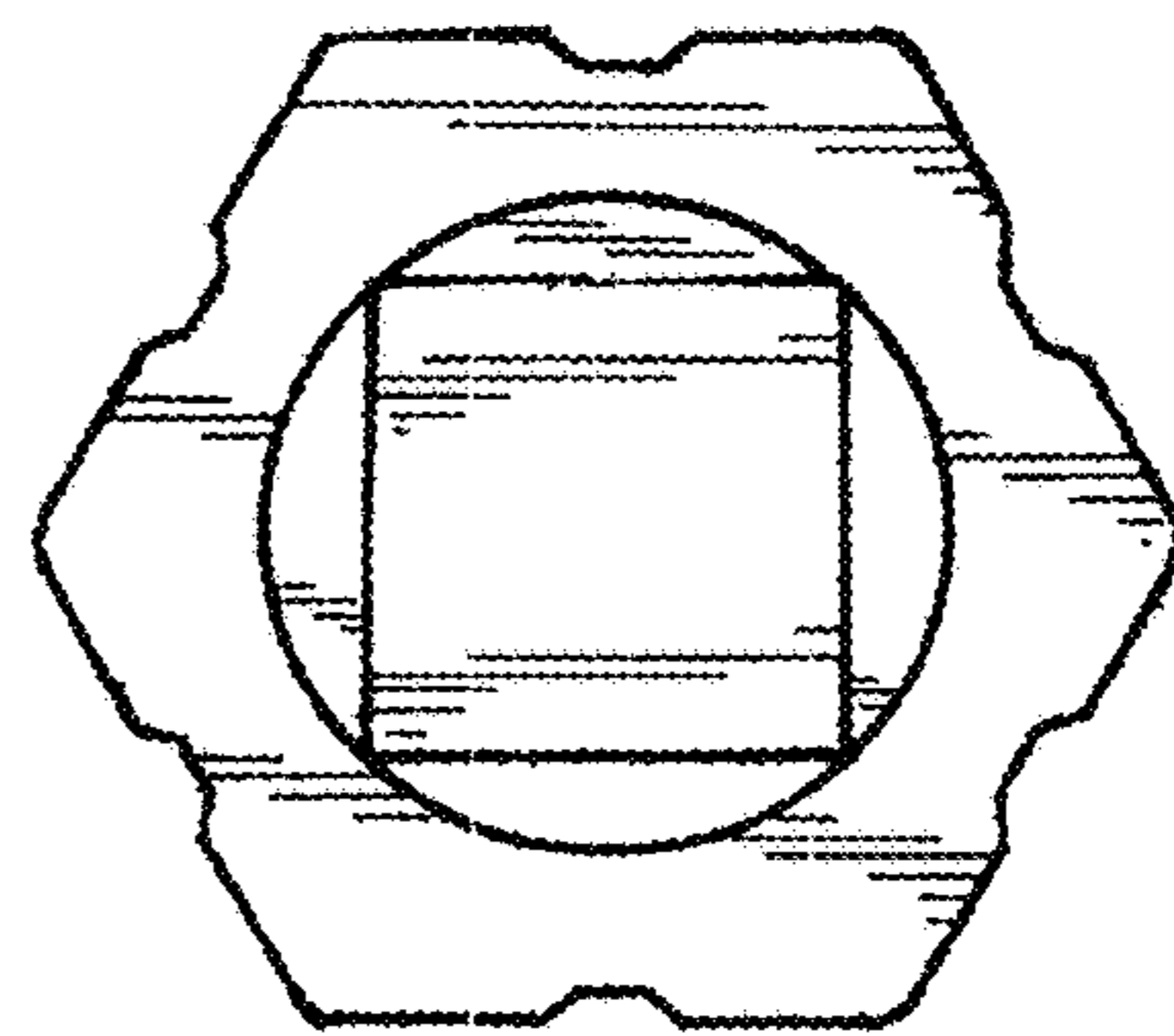


FIG. 13

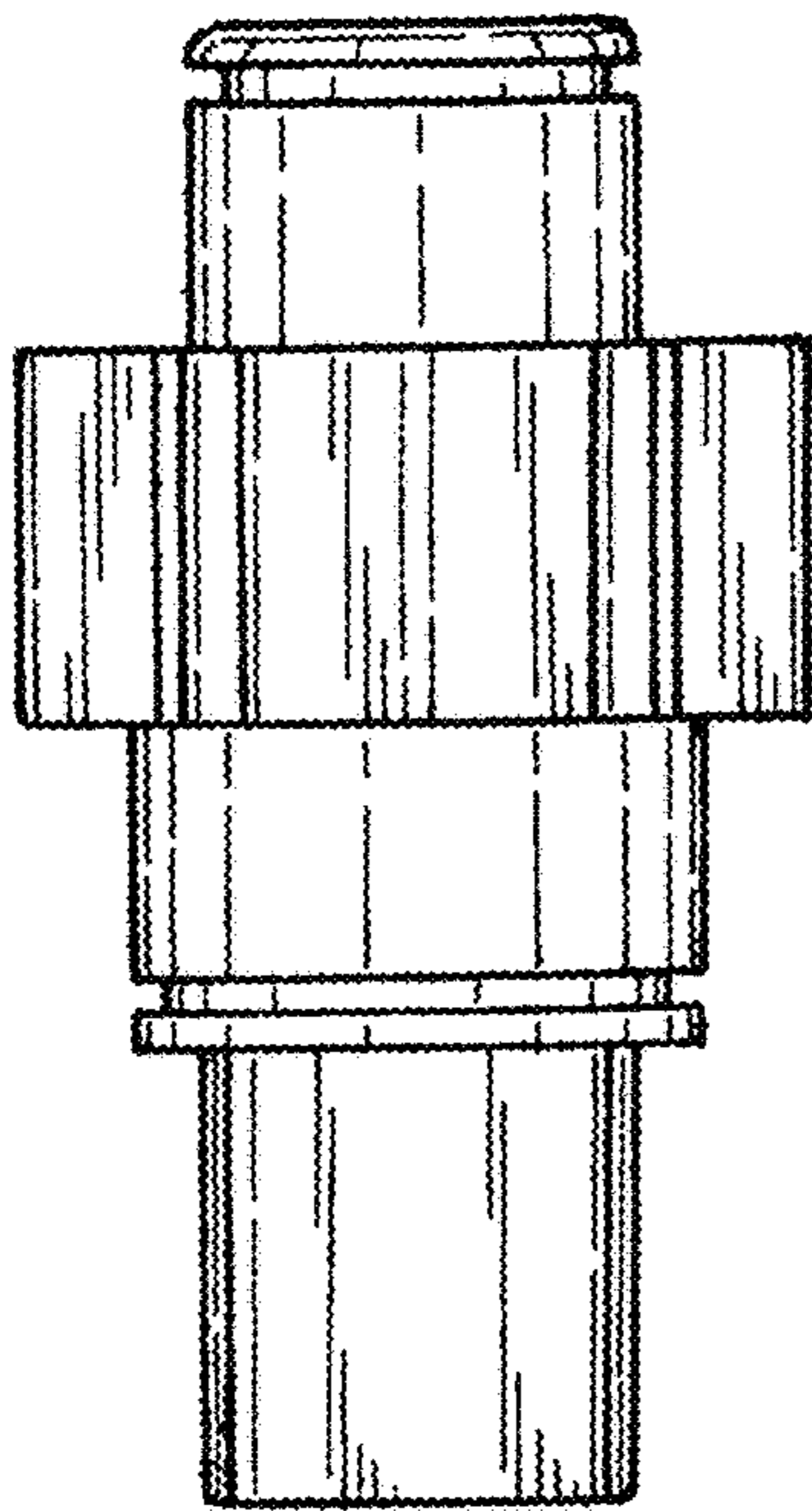


FIG. 14

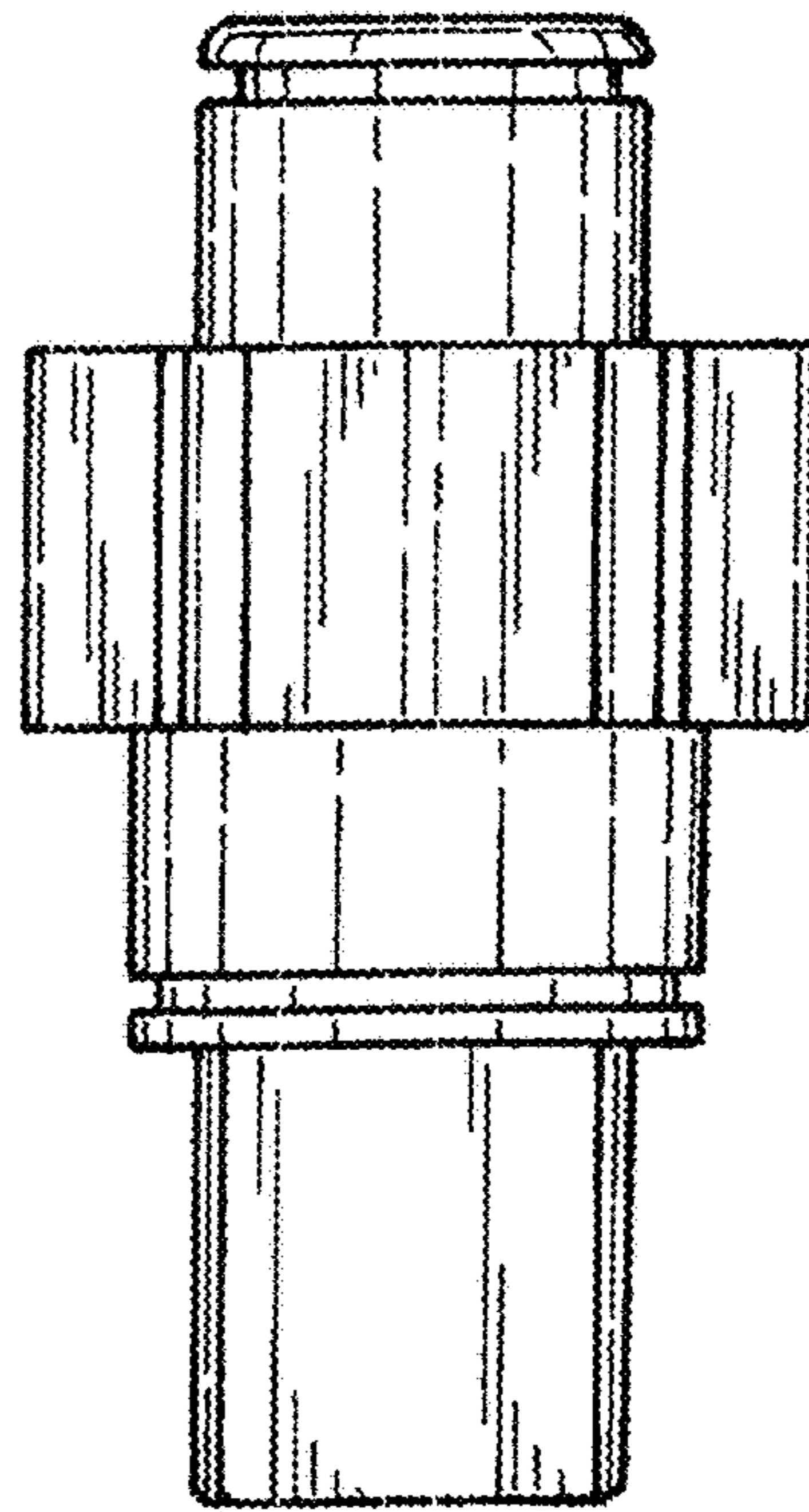


FIG. 15

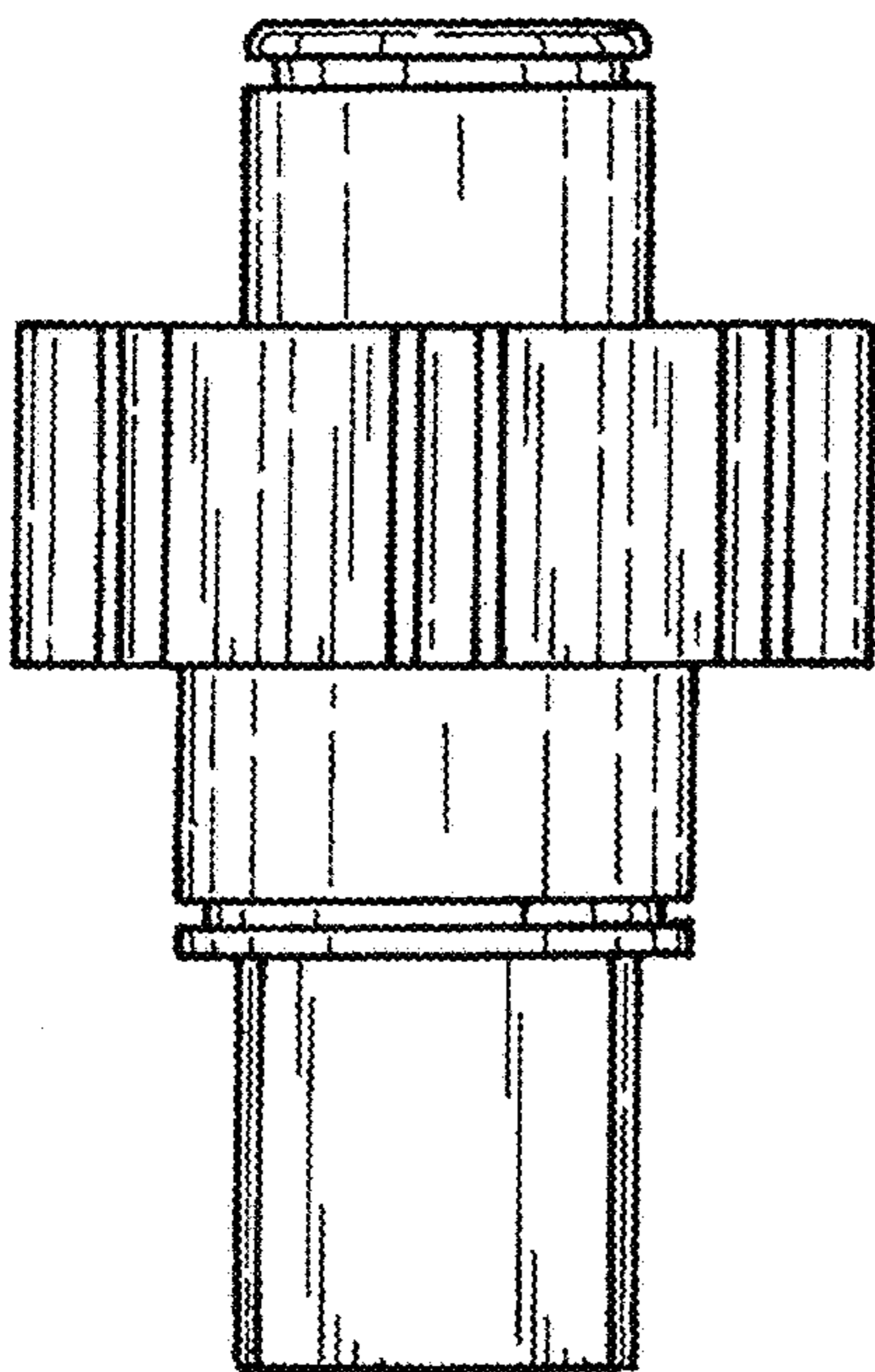


FIG. 16

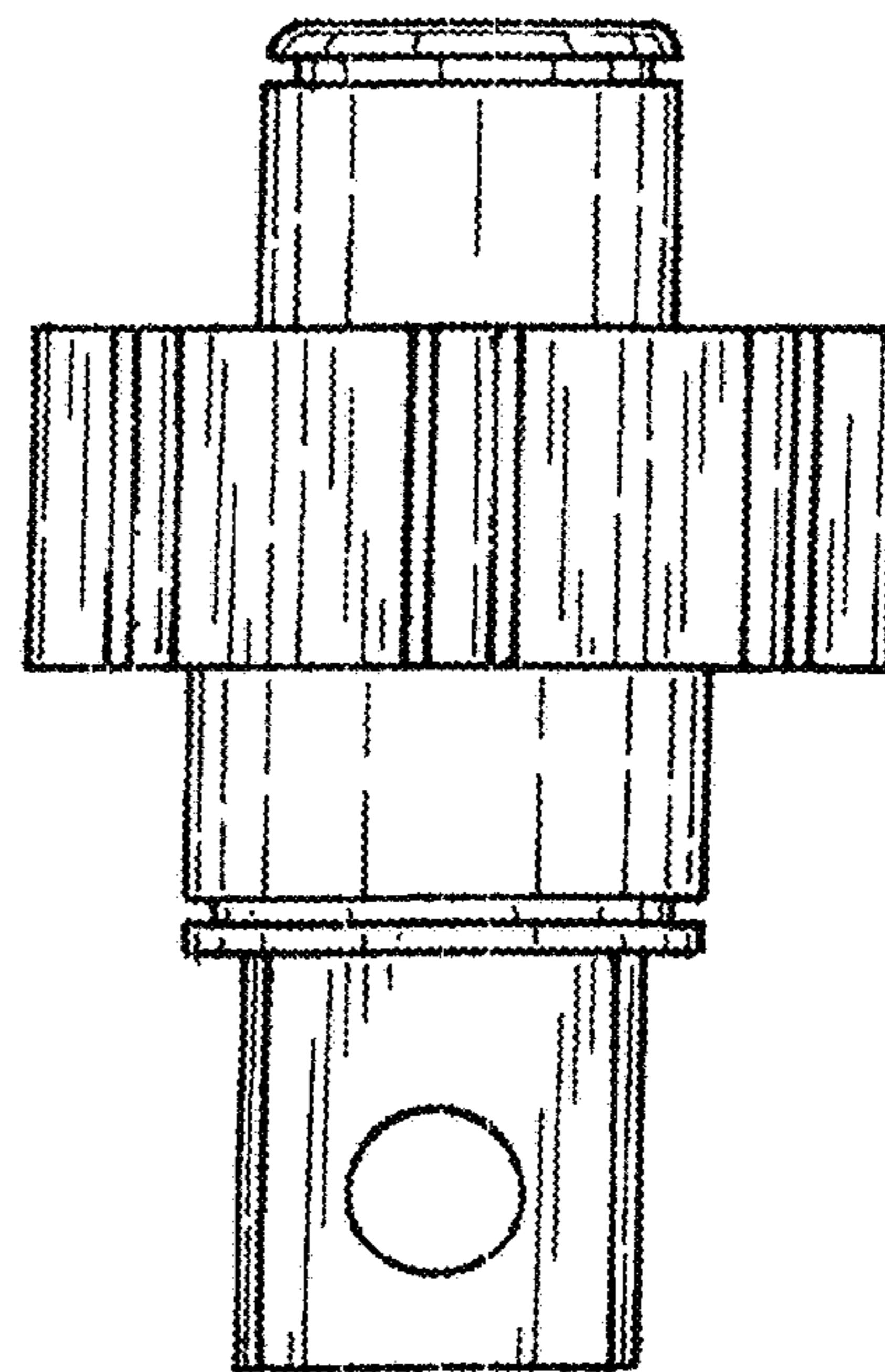


FIG. 17

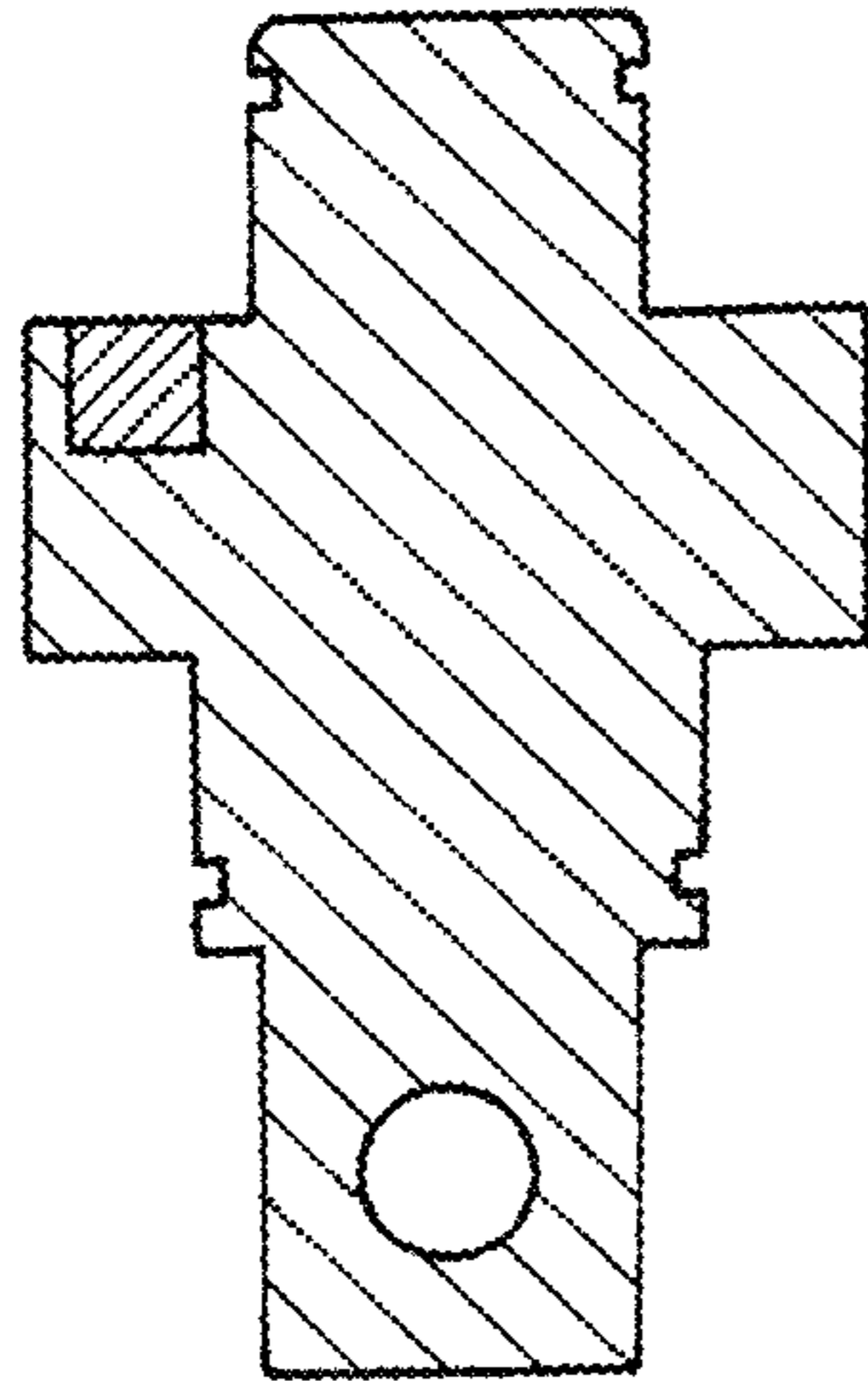


FIG.18

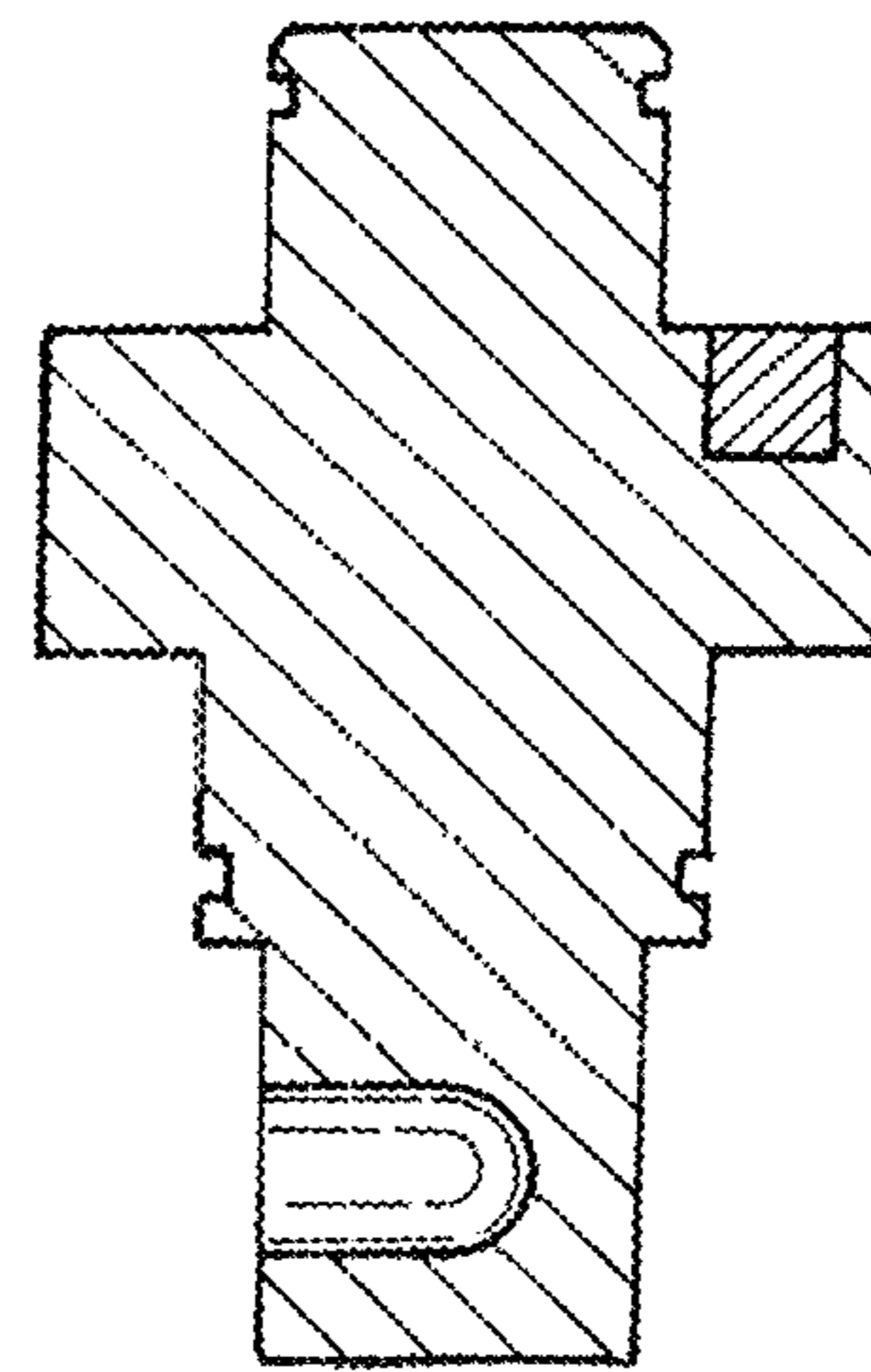


FIG.20

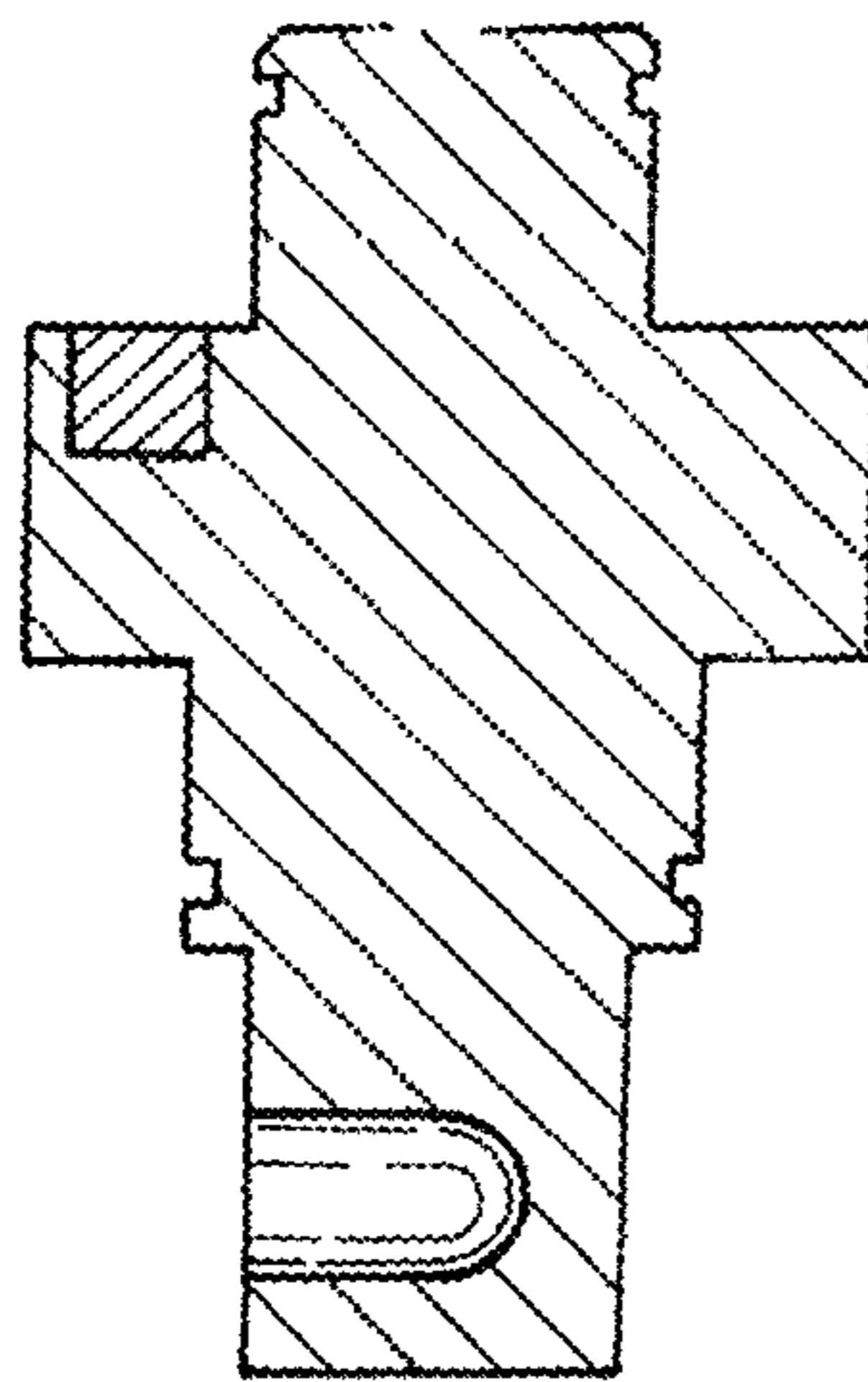


FIG.19