



US00D797530S

(12) **United States Design Patent** (10) **Patent No.:** **US D797,530 S**
Cmich (45) **Date of Patent:** **** Sep. 19, 2017**

(54) **BLADE** 3,129,549 A 4/1964 Stauffer
3,320,732 A * 5/1967 Kirk A01D 34/736
56/295
(71) Applicant: **MTD Products Inc**, Valley City, OH
(US) 3,473,306 A 10/1969 Ewasko
(Continued)

(72) Inventor: **Ryan Cmich**, Sharon Township, OH
(US) FOREIGN PATENT DOCUMENTS
(73) Assignee: **MTD PRODUCTS INC**, Valley City,
OH (US) CN 101541578 A 9/2009
CN 203 912 562 11/2014
(Continued)

(**) Term: **15 Years** OTHER PUBLICATIONS
(21) Appl. No.: **29/529,327** International Search Report and Written Opinion mailed Aug. 8,
2016 for PCT/US2016/036055 filed Jun. 6, 2016.
(22) Filed: **Jun. 5, 2015** (Continued)

(51) **LOC (10) Cl.** **08-01**
(52) **U.S. Cl.**
USPC **D8/8**
(58) **Field of Classification Search**
USPC D8/8, 9, 66, 16, 20; D15/29, 14, 17, 138
CPC A01D 34/73; A01D 34/733; A01D 34/736;
A01D 34/826; A01D 2101/00; A01D
34/66; G05D 2201/0208; Y10S 56/17
See application file for complete search history.

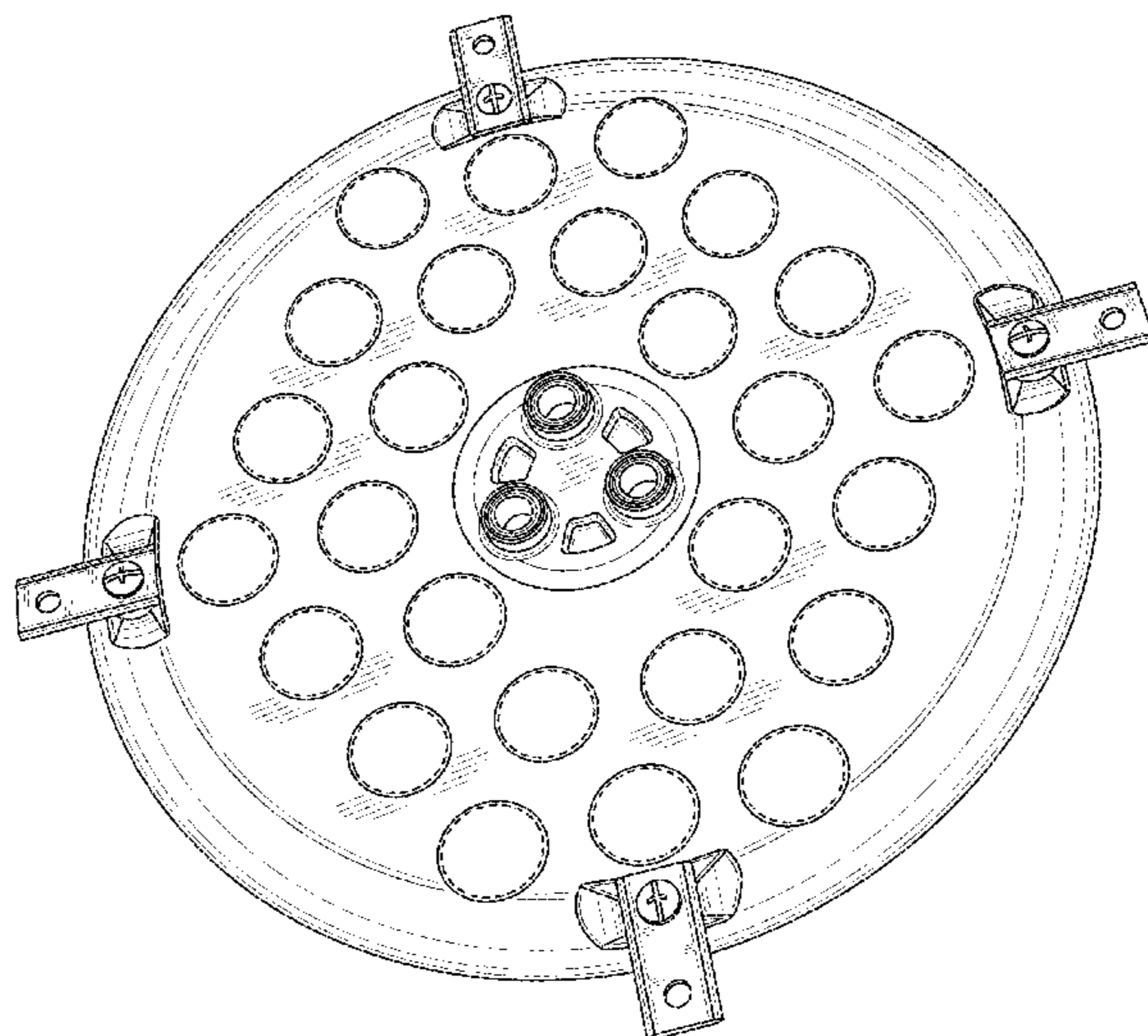
Primary Examiner — Sandra Snapp
Assistant Examiner — Ieisha Price
(74) *Attorney, Agent, or Firm* — Wegman, Hessler &
Vanderburg

(57) **CLAIM**
I claim the ornamental design for a blade, as shown and
described.

(56) **References Cited**
U.S. PATENT DOCUMENTS
2,028,784 A * 1/1936 Jennett A01G 3/0535
30/276
2,737,772 A 3/1956 Jacobsen
2,876,609 A 3/1959 Swanson
2,888,796 A 6/1959 Denney
2,957,295 A 10/1960 Brown
3,002,331 A 10/1961 Denney
3,008,283 A 11/1961 Wood
3,010,269 A 11/1961 Elliott
3,029,582 A 4/1962 de Halleux
3,049,854 A 8/1962 Denney
3,085,386 A 4/1963 Slemmons
3,091,906 A 6/1963 Hall
3,097,467 A 7/1963 Konrad

DESCRIPTION
FIG. 1 is a top perspective view of a blade showing my new
design;
FIG. 2 is a top view thereof;
FIG. 3 is a bottom view thereof;
FIG. 4 is a first side view thereof, wherein the second side
view is a mirror image thereof; and,
FIG. 5 is a third side view thereof, wherein the fourth side
view is a mirror image thereof.
The ornamental design which is claimed is shown in solid
lines in the drawings. The broken lines in the drawings
illustrate portions of the blade and form no part of the
claimed design.

1 Claim, 4 Drawing Sheets



(56)

References Cited

U.S. PATENT DOCUMENTS

3,508,385 A 4/1970 Carlson
 3,563,014 A 2/1971 Krewson
 4,069,651 A 1/1978 Steffen
 4,171,608 A 10/1979 Hetrick
 4,189,903 A 2/1980 Jackson et al.
 4,205,510 A 6/1980 Raniero
 4,205,512 A 6/1980 Thorud
 D260,264 S * 8/1981 Carlsson D15/11
 4,313,297 A 2/1982 Maier
 4,407,112 A 10/1983 Shepherd et al.
 4,450,673 A 5/1984 Hutchison
 4,633,658 A 1/1987 Nogawa
 4,711,077 A 12/1987 Kutsukake et al.
 4,756,147 A 7/1988 Savell
 5,129,217 A 7/1992 Loehr
 5,184,451 A 2/1993 Savipakka et al.
 5,204,814 A 4/1993 Noonan et al.
 5,210,988 A 5/1993 Shaifer
 D340,462 S 10/1993 Cowart
 5,267,429 A 12/1993 Kettler et al.
 5,299,414 A 4/1994 Long
 5,483,790 A 1/1996 Kuhn et al.
 5,609,011 A 3/1997 Kuhn et al.
 5,782,073 A 7/1998 Sheldon
 5,884,463 A 3/1999 Darzinskis
 5,960,617 A 10/1999 Sheldon
 5,987,863 A 11/1999 Busboom et al.
 6,052,979 A 4/2000 Tutschka
 6,065,276 A 5/2000 Hohnl et al.
 6,185,920 B1 2/2001 Oxley
 D444,529 S * 7/2001 Wagner D15/29
 6,286,293 B1 9/2001 Scag et al.
 6,321,515 B1 11/2001 Colens
 6,327,741 B1 12/2001 Reed
 6,339,735 B1 1/2002 Peless et al.
 6,493,613 B2 12/2002 Peless et al.
 6,539,694 B2 4/2003 Oxley
 6,571,544 B1 6/2003 Buss et al.
 6,604,348 B2 8/2003 Hunt
 6,779,328 B2 8/2004 Buss et al.
 6,782,684 B2 8/2004 Buss et al.
 6,892,519 B2 5/2005 Sugden
 6,978,590 B1 12/2005 Graham
 6,996,962 B1 2/2006 Sugden et al.
 7,062,898 B2 6/2006 Sarver et al.
 7,065,946 B2 6/2006 Boeck et al.
 7,079,923 B2 7/2006 Abramson et al.
 7,299,613 B2 11/2007 Samejima et al.
 7,444,206 B2 10/2008 Abramson et al.
 7,458,199 B2 12/2008 Sarver et al.
 7,594,377 B1 9/2009 Jansen et al.
 7,613,543 B2 11/2009 Petersson et al.
 7,617,665 B2 11/2009 Yamashita et al.
 7,668,631 B2 2/2010 Bernini
 7,685,799 B2 3/2010 Samejima et al.
 7,703,268 B2 4/2010 Yanke
 7,729,801 B2 6/2010 Abramson
 7,769,490 B2 8/2010 Abramson et al.
 7,784,255 B2 8/2010 Moore et al.
 7,988,380 B2 8/2011 Harkcom et al.
 8,046,103 B2 10/2011 Abramson et al.
 8,136,333 B1 3/2012 Levin et al.

8,171,709 B1 5/2012 Bedford et al.
 8,239,992 B2 8/2012 Schnittman et al.
 8,428,776 B2 4/2013 Letsky
 8,452,450 B2 5/2013 Dooley et al.
 8,532,822 B2 9/2013 Abramson et al.
 8,600,582 B2 12/2013 Bernini
 8,676,378 B2 3/2014 Tian et al.
 8,818,602 B2 8/2014 Yamamura et al.
 8,868,237 B2 10/2014 Sandin et al.
 8,983,693 B2 3/2015 Yamamura et al.
 2004/0031255 A1 2/2004 Kenny
 2004/0163373 A1 8/2004 Adams et al.
 2004/0237492 A1 12/2004 Samejima et al.
 2005/0126152 A1 6/2005 Boeck et al.
 2005/0279072 A1 12/2005 Sarver et al.
 2006/0150361 A1 7/2006 Aldred et al.
 2006/0179809 A1 8/2006 Sarver et al.
 2007/0062170 A1 3/2007 Finkner
 2007/0193240 A1 8/2007 Nafziger
 2007/0234699 A1 10/2007 Berkeley
 2007/0273152 A1 11/2007 Kawakami et al.
 2007/0289282 A1 12/2007 Yamashita et al.
 2008/0072555 A1 3/2008 Samejima et al.
 2008/0168756 A1 7/2008 Nafziger
 2009/0087257 A1 4/2009 Harkcom et al.
 2009/0126330 A1 5/2009 Moore et al.
 2009/0266042 A1 10/2009 Mooney et al.
 2011/0234153 A1 9/2011 Abramson
 2013/0205736 A1 * 8/2013 Maruyama A01D 34/82
 56/12.9
 2013/0211646 A1 8/2013 Yamamura et al.
 2013/0211647 A1 8/2013 Yamamura et al.
 2013/0317680 A1 11/2013 Yamamura et al.
 2014/0031979 A1 1/2014 Borinato et al.
 2014/0058611 A1 2/2014 Borinato
 2014/0324269 A1 10/2014 Abramson et al.
 2015/0047310 A1 2/2015 Schreiner
 2015/0128548 A1 5/2015 Andre et al.
 2016/0081269 A1 3/2016 Gottinger et al.
 2016/0278287 A1 * 9/2016 Kasai A01D 34/736
 2016/0278289 A1 * 9/2016 Kasai A01D 34/736

FOREIGN PATENT DOCUMENTS

EP 2648307 A1 10/2013
 EP 2656718 A1 10/2013
 EP 2852029 A1 3/2015
 FR 2 282 780 A1 3/1976
 FR 2644971 10/1990
 GB 1 326 900 8/1973
 GB 1 460 225 12/1976
 GB 2307163 5/1997
 GB 2 310 993 9/1997
 JP S61 136836 8/1986
 WO WO 88/04135 A1 6/1988
 WO 02/051241 A1 7/2002
 WO WO 2014127212 A1 8/2014

OTHER PUBLICATIONS

International Search Report and Written Opinion for PCT/US2016/034531 dated Sep. 8, 2016.

* cited by examiner

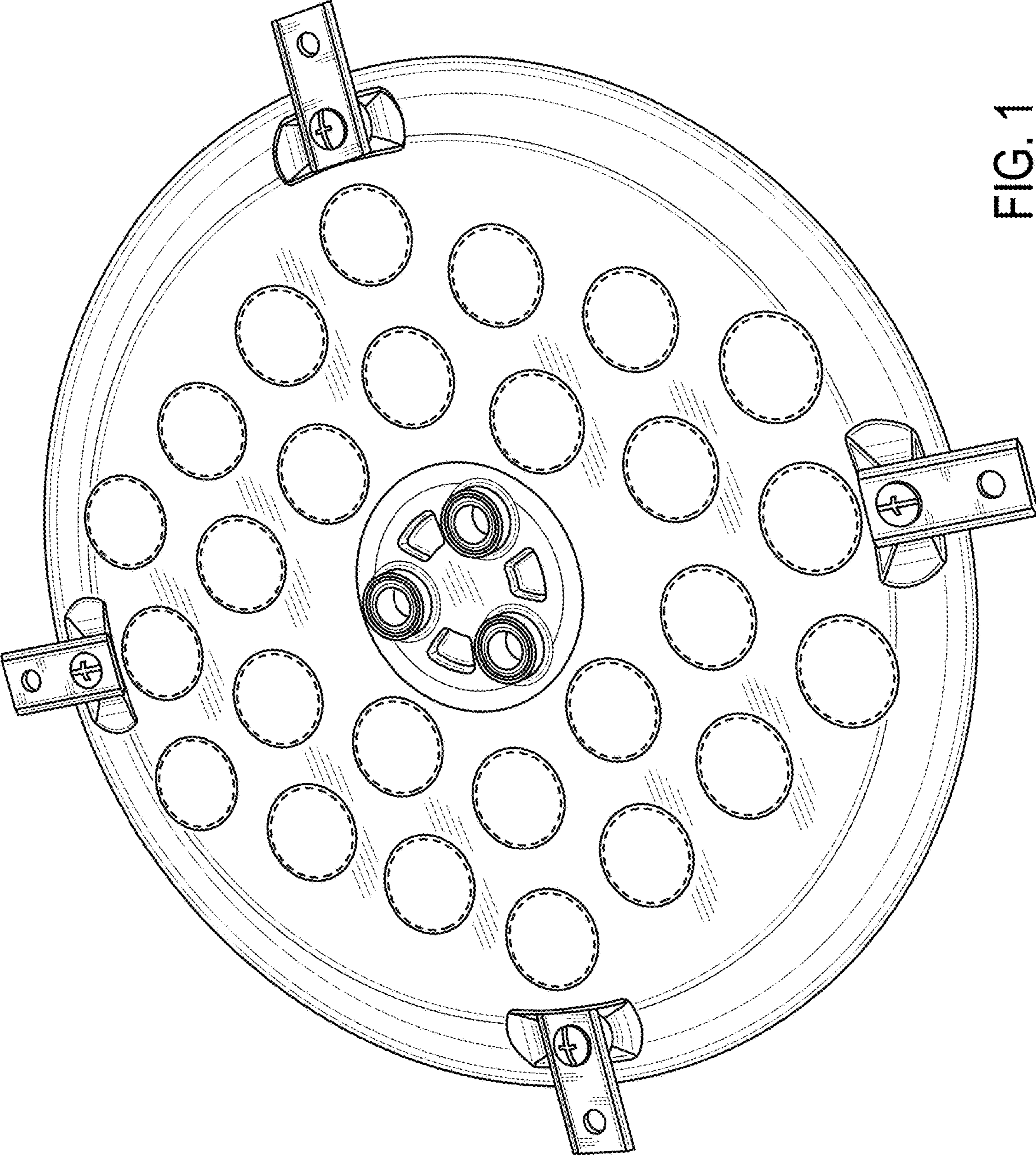


FIG. 1

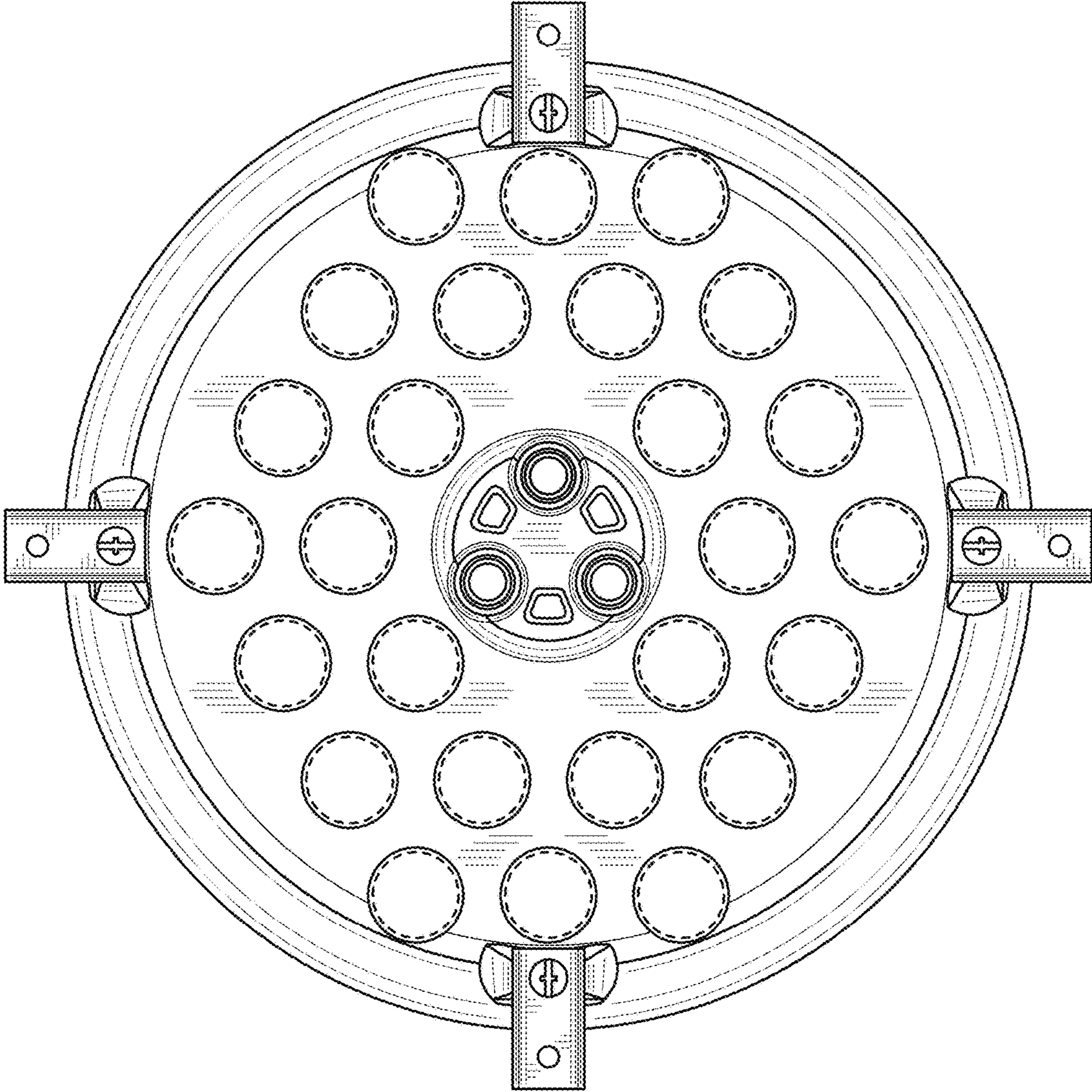


FIG. 2

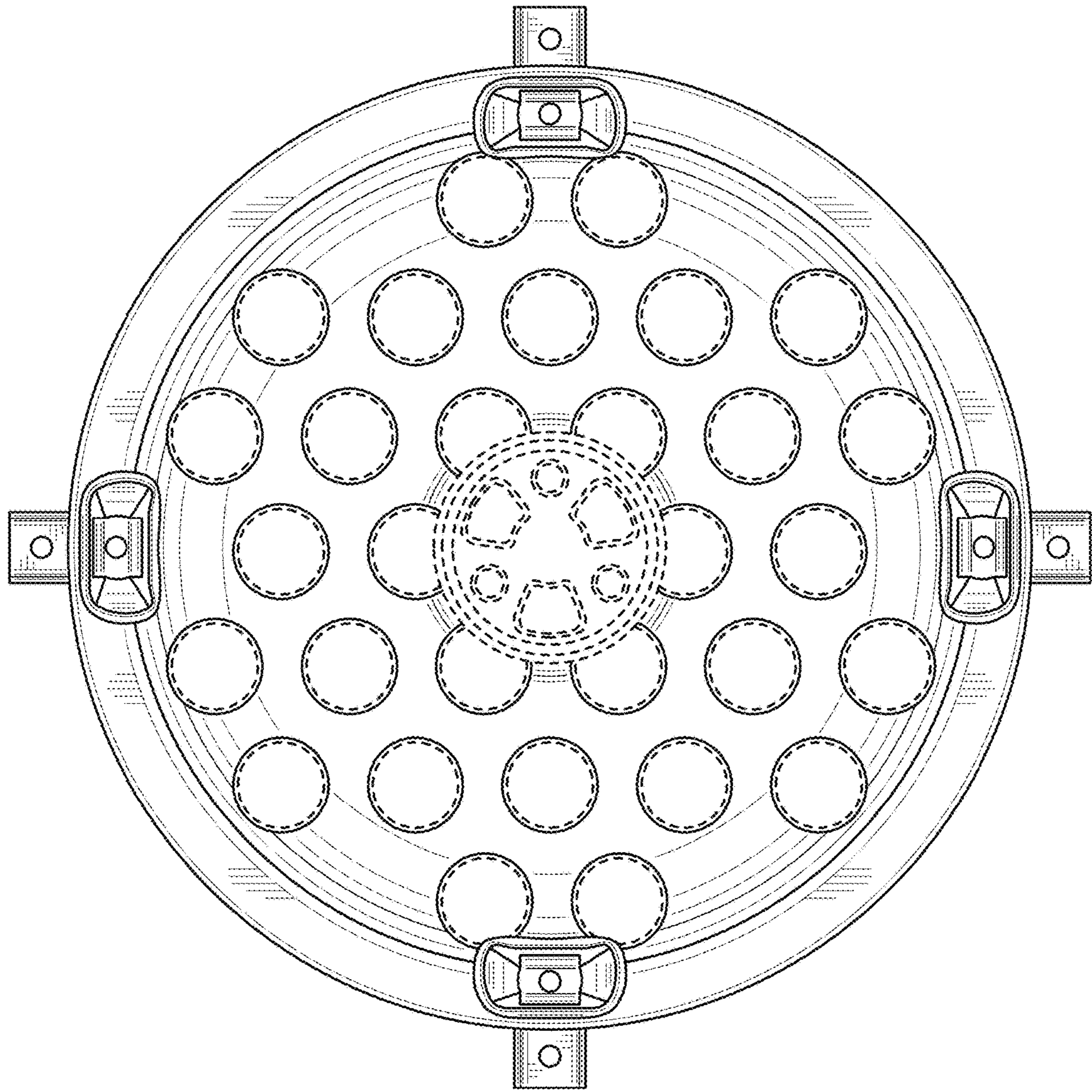


FIG. 3



FIG. 4



FIG. 5