



US00D797529S

(12) **United States Design Patent** (10) **Patent No.:** **US D797,529 S**  
**Goodwin et al.** (45) **Date of Patent:** **\*\* Sep. 19, 2017**

(54) **APPLICATOR**

- (71) Applicant: **OMS Investments, Inc.**, Los Angeles, CA (US)
- (72) Inventors: **Randy M. Goodwin**, Grove City, OH (US); **Paul Havlovitz**, Dublin, OH (US); **Ryan R. Berger**, Columbus, OH (US); **Paul Hsu**, Lewis Center, OH (US); **Michael T. Kopczewski**, Grove City, OH (US); **Timothy Michael Martin**, Westerville, OH (US); **Jay F. Perkins**, Pickerington, OH (US)
- (73) Assignee: **OMS Investments, Inc.**, Los Angeles, CA (US)
- (\*\*) Term: **15 Years**
- (21) Appl. No.: **29/591,145**
- (22) Filed: **Jan. 17, 2017**

**Related U.S. Application Data**

- (63) Continuation of application No. 29/532,941, filed on Jul. 13, 2015, now Pat. No. Des. 779,898, which is a continuation of application No. 29/475,913, filed on Dec. 9, 2013, now Pat. No. Des. 736,577, which is a continuation of application No. 29/433,244, filed on Sep. 27, 2012, now abandoned, which is a continuation of application No. 29/386,483, filed on Mar. 1, 2011, now Pat. No. Des. 670,982.
- (51) **LOC (10) Cl.** ..... **08-01**
- (52) **U.S. Cl.**  
USPC ..... **D8/2**
- (58) **Field of Classification Search**  
USPC ..... D8/2; D23/224, 225; 239/302, 308, 316, 239/310, 318, 525, 542, 602  
CPC ..... B05B 7/2421; B05B 9/01; B05B 1/00; E03C 1/046; A01G 25/023  
See application file for complete search history.

(56) **References Cited**

U.S. PATENT DOCUMENTS

241,307 A	5/1881	Corwin
260,829 A	7/1882	Beadley
337,268 A	3/1886	Keedy
557,987 A	4/1896	Frank
813,254 A	2/1906	Sweeney

(Continued)

FOREIGN PATENT DOCUMENTS

EP	0591601 A1	6/1996
EP	0798158 A2	10/1997

(Continued)

OTHER PUBLICATIONS

International Search Report for International Patent Application No. PCT/US2009/069396, dated Mar. 1, 2010.

(Continued)

*Primary Examiner* — Sheryl Lane

(74) *Attorney, Agent, or Firm* — Ulmer & Berne LLP

(57) **CLAIM**

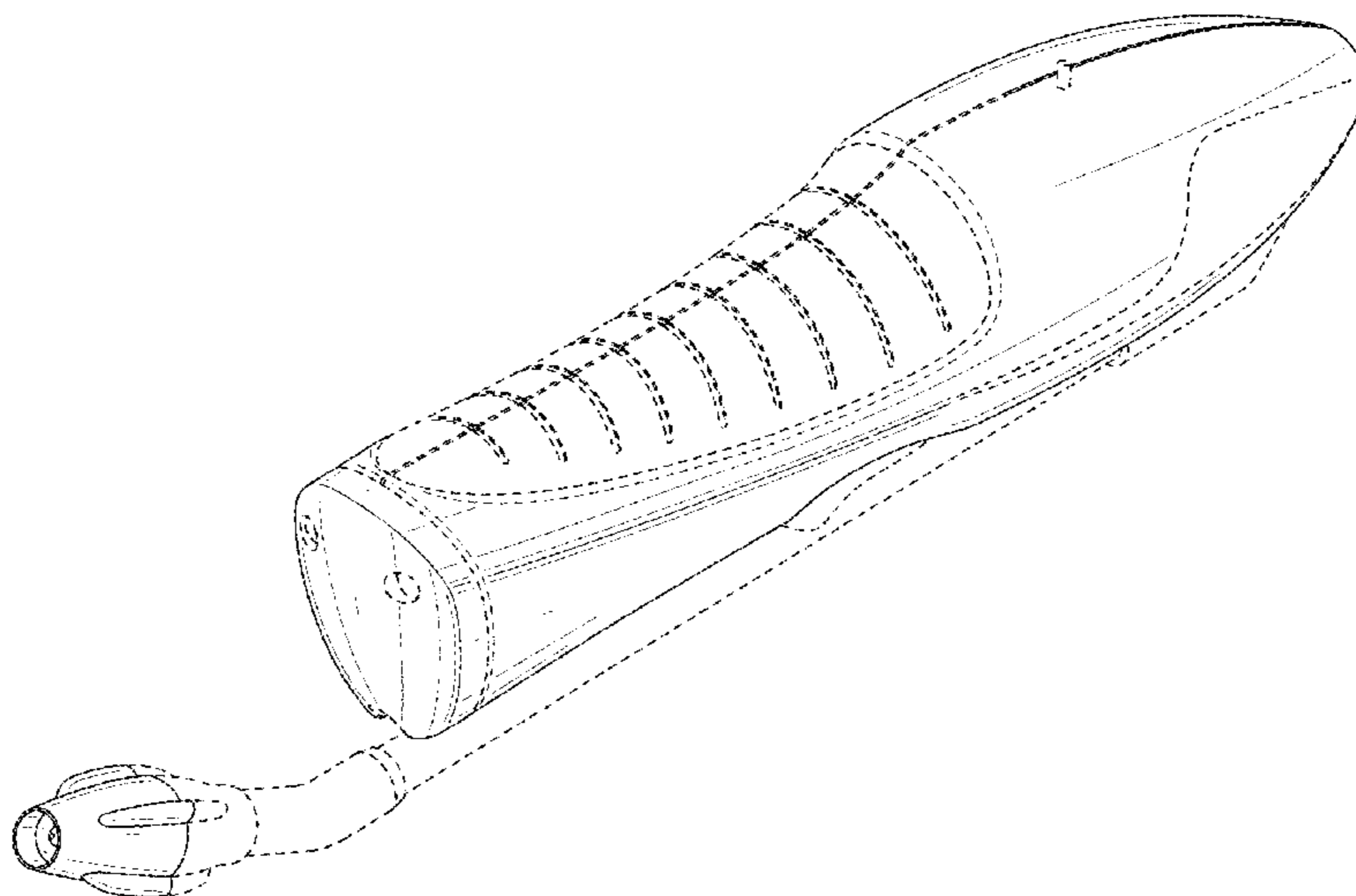
The ornamental design for an applicator, as shown and described.

**DESCRIPTION**

FIG. 1 is a perspective view of an applicator.  
 FIG. 2 is a front elevation view thereof.  
 FIG. 3 is a rear elevation view thereof.  
 FIG. 4 is a side elevation view thereof.  
 FIG. 5 is an opposite side elevation view thereof.  
 FIG. 6 is a top plan view thereof; and,  
 FIG. 7 is a bottom plan view thereof.

The broken line showings of the applicator are included for the purpose of illustrating portions of the article and form no part of the claimed design.

**1 Claim, 6 Drawing Sheets**



(56)

## References Cited

## U.S. PATENT DOCUMENTS

1,264,503 A	4/1918	Griffin	4,418,869 A	12/1983	Healy
1,456,408 A	5/1923	Scherer	4,442,977 A	4/1984	Beiswenger et al.
1,521,831 A	1/1925	Olvawitsz	4,491,254 A	1/1985	Viets et al.
1,544,503 A	6/1925	Wayne	4,527,740 A	7/1985	Gunzel et al.
1,595,231 A	8/1926	Dryer	D281,899 S	12/1985	Gunzel et al.
1,631,951 A	6/1927	McAnsh	D281,900 S	12/1985	Gunzel et al.
1,912,759 A	6/1933	Clark	4,624,413 A	11/1986	Corsette
1,982,094 A	11/1934	Gessler	4,651,930 A	3/1987	Magaha, Jr.
2,006,437 A	7/1935	Burgess et al.	4,664,301 A	5/1987	Hoyt
2,050,522 A	8/1936	Evans et al.	4,706,888 A	11/1987	Dobbs
2,135,665 A	11/1938	Hoban	4,785,850 A	11/1988	Sanchez
2,246,211 A	6/1941	Kilich	D298,848 S	12/1988	Chow et al.
2,248,701 A	7/1941	Fowler	4,811,870 A	3/1989	Bianco
2,293,390 A	8/1942	Hengesbach	4,826,085 A	5/1989	Chow et al.
2,348,205 A	5/1944	Chater	4,878,619 A	11/1989	Norman
2,388,445 A	11/1945	Stewart	4,890,792 A	1/1990	Martin et al.
2,416,719 A	3/1947	Stockdale	4,901,923 A	2/1990	McRoskey et al.
2,460,545 A	2/1949	Spreng	4,901,976 A	2/1990	Smith
2,485,723 A	10/1949	Fitzgerald	D306,961 S	4/1990	Emms
2,536,361 A	1/1951	Flanders	D307,628 S	5/1990	Ballu
2,580,629 A	1/1952	Wenzel	4,925,105 A	5/1990	Lin
2,599,678 A	6/1952	Walker	4,982,896 A	1/1991	Crow
2,603,388 A	7/1952	Bryant	D322,838 S	12/1991	Hagedorn
2,647,798 A	8/1953	Ballard	5,069,389 A	12/1991	Bitsakos
2,673,664 A	3/1954	Boysen	D327,528 S	6/1992	Sears et al.
2,711,928 A	6/1955	Randa	5,143,294 A	9/1992	Lintvedt
2,754,152 A	7/1956	Gilmour	5,203,468 A	4/1993	Hsu
2,760,820 A	8/1956	Cirese	5,205,424 A	4/1993	Gaspar
2,788,244 A	4/1957	Gilmour	5,213,264 A	5/1993	Styne
2,788,245 A	4/1957	Gilmour	5,213,265 A	5/1993	Englhard et al.
2,951,645 A	9/1960	Price et al.	5,263,646 A	11/1993	McCauley
2,961,335 A	11/1960	Shepard	5,277,343 A	1/1994	Parsonage
2,981,284 A	4/1961	Putnam	5,279,461 A	1/1994	Darroch
2,991,939 A	7/1961	Packard	5,332,158 A	7/1994	Styne et al.
3,088,679 A	5/1963	Ford	5,335,858 A	8/1994	Dunning et al.
3,104,823 A	9/1963	Hayes	5,346,081 A	9/1994	Lin
3,123,253 A	3/1964	Lambton	5,356,076 A	10/1994	Bishop
3,140,018 A	7/1964	Miller	5,375,769 A	12/1994	Schultz
D200,960 S	4/1965	Beinert	5,388,712 A	2/1995	Brody
3,181,797 A	5/1965	Hayes	5,413,280 A	5/1995	Taylor
3,185,358 A	5/1965	Marler	5,469,993 A	11/1995	Hauf et al.
3,207,443 A	9/1965	Gilmour	5,484,106 A	1/1996	Gilmond
3,233,783 A	2/1966	Thornton	5,499,766 A	3/1996	Foster et al.
3,253,788 A	5/1966	McHugh et al.	5,522,547 A	6/1996	Dobbs et al.
3,254,844 A	6/1966	Blasnik et al.	5,526,985 A	6/1996	Martin
3,255,924 A	6/1966	Modderno	5,590,837 A	1/1997	Grogan
3,319,983 A	5/1967	Zibell	5,593,094 A	1/1997	Barriac et al.
3,323,685 A	6/1967	Schultz	5,628,461 A	5/1997	Foster et al.
3,372,846 A	3/1968	Berkus	5,641,125 A	6/1997	Martin et al.
3,381,899 A	5/1968	Forsman	5,673,824 A	10/1997	Evans
3,401,840 A	9/1968	McConnell et al.	5,678,768 A	10/1997	Gager et al.
3,443,726 A	5/1969	Mueller et al.	5,685,487 A	11/1997	Ellis
3,445,067 A	5/1969	Sheldall	5,727,736 A	3/1998	Tryon
3,447,753 A	6/1969	Proctor et al.	5,738,282 A	4/1998	Grogan
3,467,314 A	9/1969	Grubb	5,755,384 A	5/1998	Foster et al.
3,499,606 A	3/1970	Smith	5,868,321 A	2/1999	Haruch
3,632,046 A	1/1972	Hengesbach	5,878,959 A	3/1999	Smolen et al.
3,655,099 A	4/1972	Hazard	5,881,955 A	3/1999	Styne
3,764,074 A	10/1973	James	5,890,628 A	4/1999	Simpson et al.
3,770,205 A	11/1973	Proctor et al.	5,918,621 A	7/1999	Gilmore
3,833,177 A	9/1974	Pasley et al.	5,954,272 A	9/1999	Liao
D234,952 S	4/1975	Rouquie	5,964,415 A	10/1999	Hadar
D235,063 S	5/1975	Gunzel et al.	5,975,164 A	11/1999	Whaley et al.
3,940,069 A	2/1976	Gunzel, Jr. et al.	5,996,858 A	12/1999	Tapp et al.
3,964,689 A	6/1976	Horvath	D421,204 S	2/2000	McBride
3,993,245 A	11/1976	Smith	6,126,090 A	10/2000	Wadsworth et al.
4,027,822 A	6/1977	Usher	6,131,774 A	10/2000	Thomas et al.
4,058,259 A	11/1977	Schantz	6,170,706 B1	1/2001	Havlovitz
D251,793 S	5/1979	DeGelder	6,186,366 B1	2/2001	Good et al.
4,153,184 A	5/1979	Parish et al.	6,213,410 B1	4/2001	Spitznagel
4,250,911 A	2/1981	Kratz	6,223,999 B1	5/2001	Lemelshtich et al.
4,291,814 A	9/1981	Conn	6,279,773 B1	8/2001	Kiyota
4,349,157 A	9/1982	Beiswenger et al.	D447,791 S	9/2001	Robidoux
4,382,552 A	5/1983	Lubsen et al.	D448,450 S	9/2001	Lawson et al.
4,396,356 A	8/1983	Thompson	6,293,294 B1	9/2001	Loeb et al.
			6,390,335 B1	5/2002	Lawson et al.
			D459,438 S	6/2002	Knowles
			6,402,053 B1	6/2002	Chih
			6,415,956 B1	7/2002	Havlovitz



(56)

References Cited

U.S. PATENT DOCUMENTS

6,419,166 B1 7/2002 Brzezinski et al.  
 6,422,485 B1 7/2002 Hsu  
 6,453,953 B1 9/2002 Adriansens et al.  
 6,536,684 B1 3/2003 Wei  
 6,546,949 B1 4/2003 Gilmore  
 D476,558 S 7/2003 Cho et al.  
 6,595,437 B1 7/2003 Lawson et al.  
 6,604,546 B1 8/2003 Gilmore  
 6,609,733 B2 8/2003 Gilmore  
 6,612,506 B1 9/2003 Huang  
 6,712,292 B1 3/2004 Gosis et al.  
 6,715,698 B2 4/2004 Foster et al.  
 6,726,123 B2 4/2004 Wang  
 D489,970 S 5/2004 Nelson et al.  
 6,851,632 B2 2/2005 Ferrazza et al.  
 6,896,203 B1 5/2005 Restive  
 D507,493 S 7/2005 Nelson et al.  
 6,976,640 B2 12/2005 Chen  
 6,976,644 B2 12/2005 Troudt  
 6,978,946 B2 12/2005 Sweeton  
 6,988,675 B2 1/2006 Hubmann et al.  
 7,017,833 B2 3/2006 Foster  
 7,021,571 B1 4/2006 Lawson et al.  
 D524,906 S 7/2006 Birrenkott et al.  
 7,083,125 B2 8/2006 Westphal et al.  
 7,086,610 B2 8/2006 Hubmann et al.  
 D529,575 S 10/2006 Birrenkott et al.  
 7,156,324 B2 1/2007 Birrenkott et al.  
 7,168,629 B2 1/2007 Timmes et al.  
 D537,359 S 2/2007 Butler et al.  
 7,182,280 B2 2/2007 Ye et al.  
 D539,142 S 3/2007 Butler et al.  
 D542,373 S 5/2007 Cooper  
 D559,682 S 1/2008 Meeker et al.  
 D561,301 S 2/2008 Troyer  
 D569,478 S 5/2008 Cichy et al.  
 D575,601 S 8/2008 Ricketts  
 D582,272 S 12/2008 Cichy

D619,215 S 7/2010 Havlovitz et al.  
 D653,305 S 1/2012 Hudson et al.  
 D670,982 S 11/2012 Goodwin et al.  
 D736,577 S 8/2015 Goodwin et al.  
 D779,898 S \* 2/2017 Goodwin ..... D8/2  
 2004/0007633 A1 1/2004 Simmons  
 2004/0222246 A1 11/2004 Bates et al.  
 2005/0145270 A1 7/2005 Ray  
 2005/0173452 A1 8/2005 Brown et al.  
 2006/0255183 A1 11/2006 Burdsall et al.  
 2007/0125878 A1 6/2007 Hahn et al.  
 2007/0170285 A1 7/2007 Schouten  
 2007/0228187 A1 10/2007 Nelson et al.  
 2008/0011882 A1 1/2008 Foster et al.  
 2010/0044454 A1 2/2010 Karazniewicz

FOREIGN PATENT DOCUMENTS

EP 0677401 A2 6/2000  
 EP 1022060 A2 7/2000  
 EP 1305055 A1 4/2004  
 EP 1602199 A2 12/2005  
 FR 2708569 A1 2/1995  
 GB 1329788 A 9/1973  
 GB 1386186 A 3/1975  
 GB 2018626 A 10/1979  
 GB 2286109 A 8/1995  
 WO 0209783 A1 2/2002

OTHER PUBLICATIONS

International Search Report for International Patent Application No. PCT/US2006/026119, dated Jan. 5, 2007.  
 Supplementary European Search Report for European Application No. 06 77 4502, dated Jan. 5, 2009.  
 Air Wick Odor Stop Product Promotion retrieved from the Internet at [www.winwithairwick.co.nz/airwick.sub.—entry.sub.—form.pdf](http://www.winwithairwick.co.nz/airwick.sub.—entry.sub.—form.pdf) (2006).

\* cited by examiner

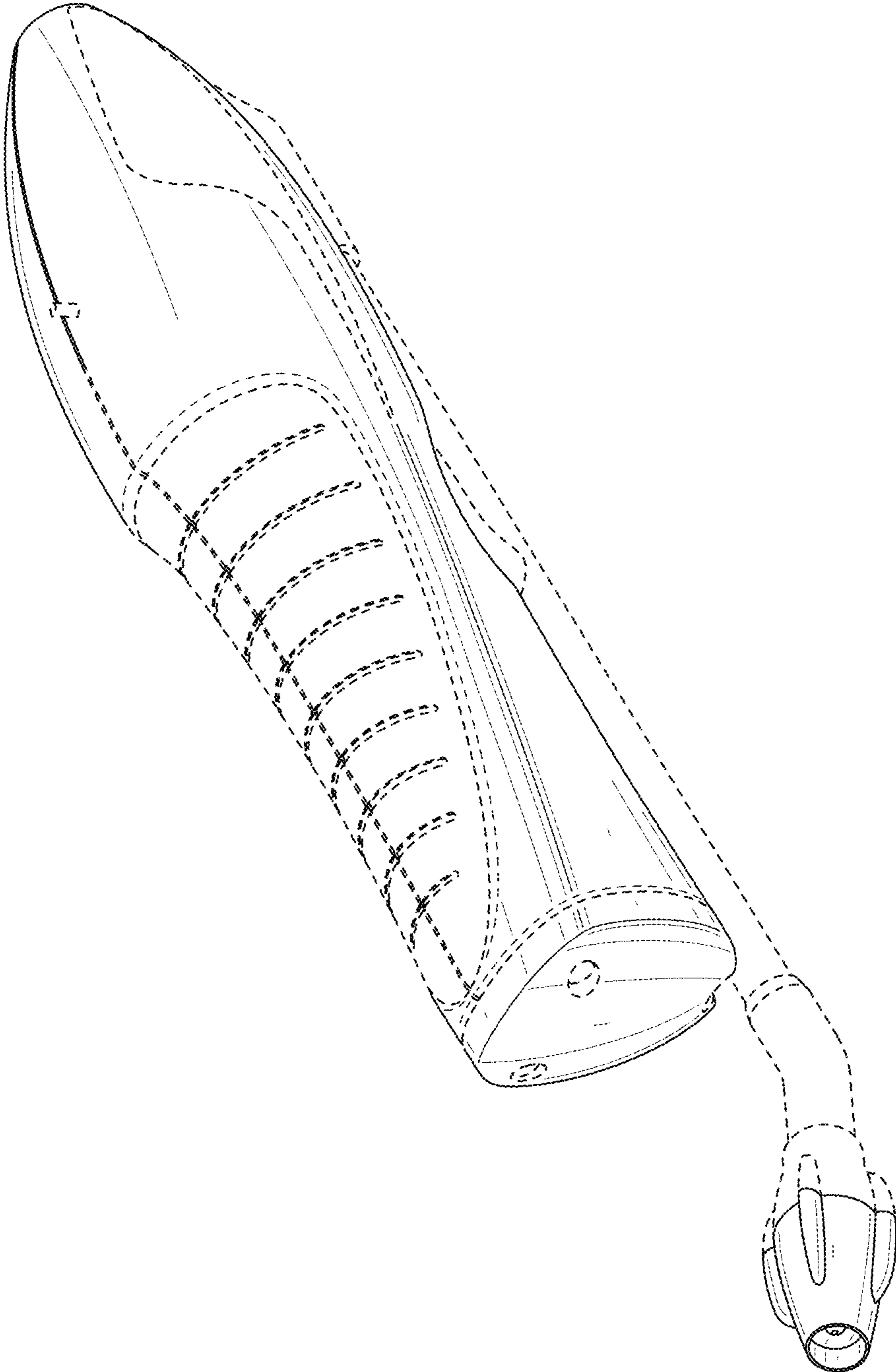


FIG. 1

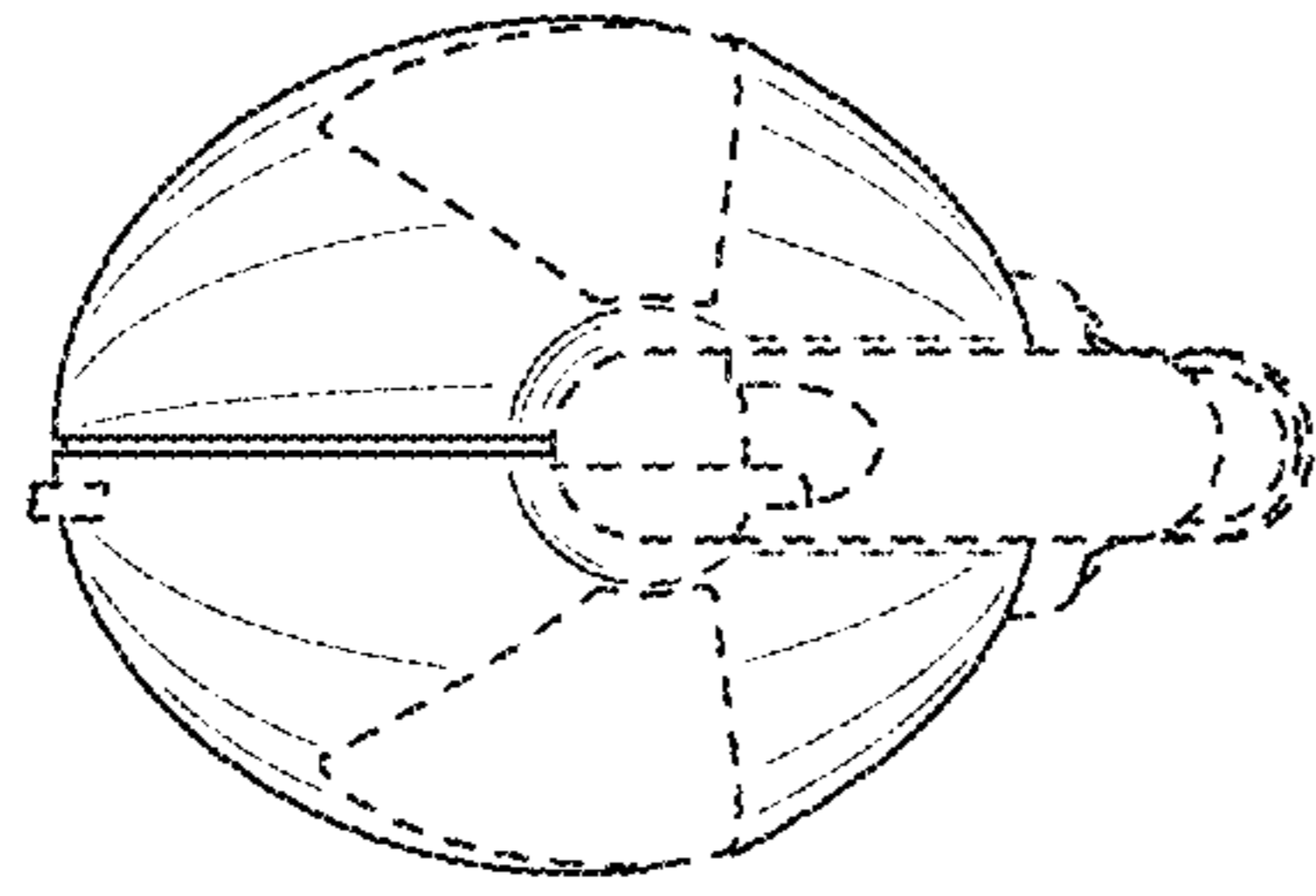


FIG. 3

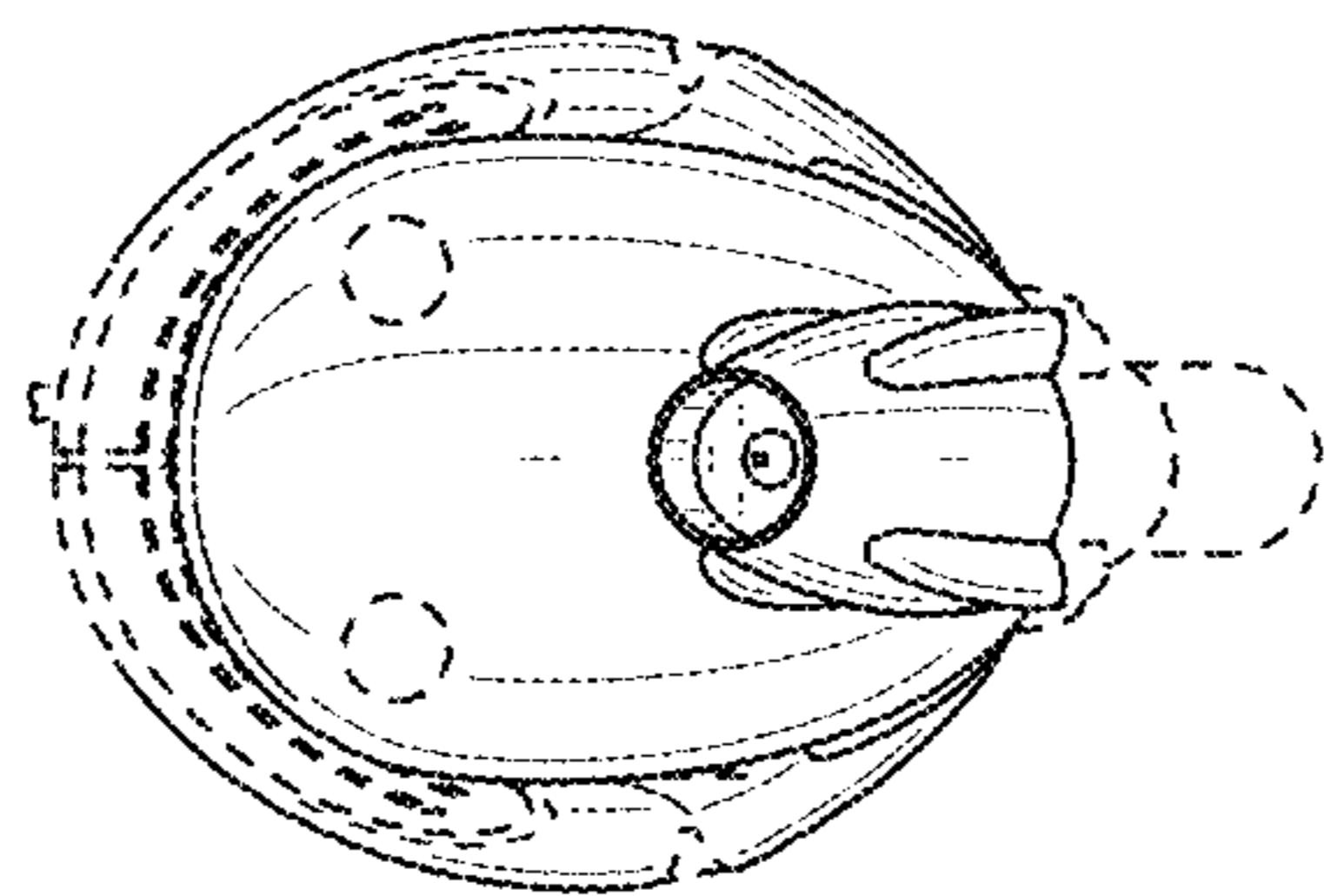


FIG. 2

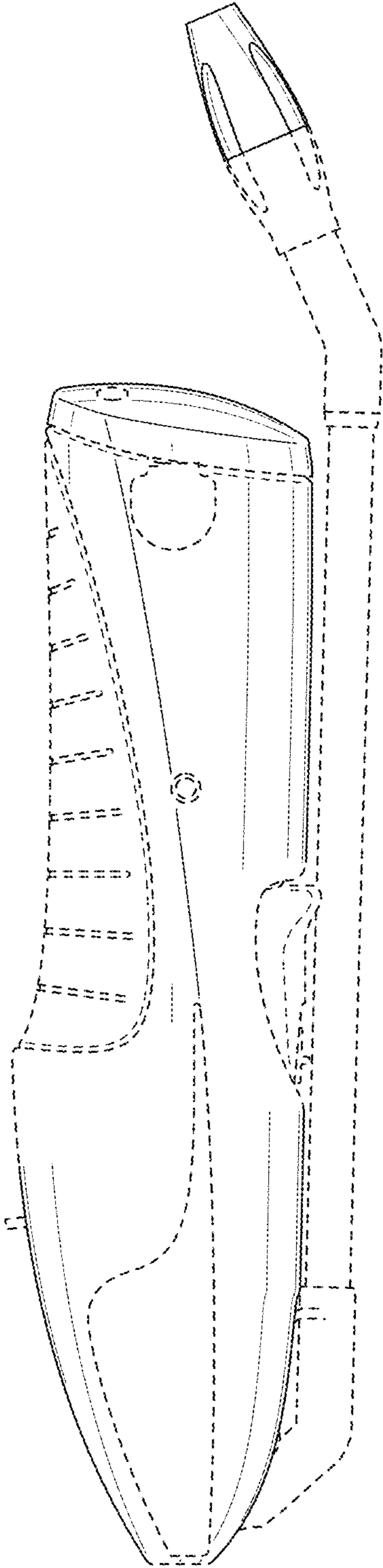


FIG. 4

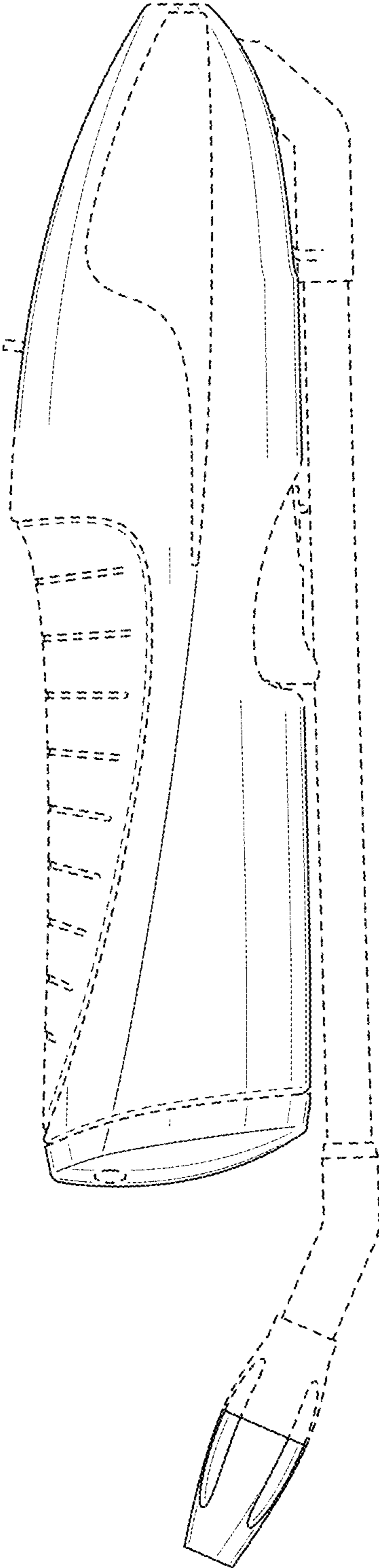


FIG. 5

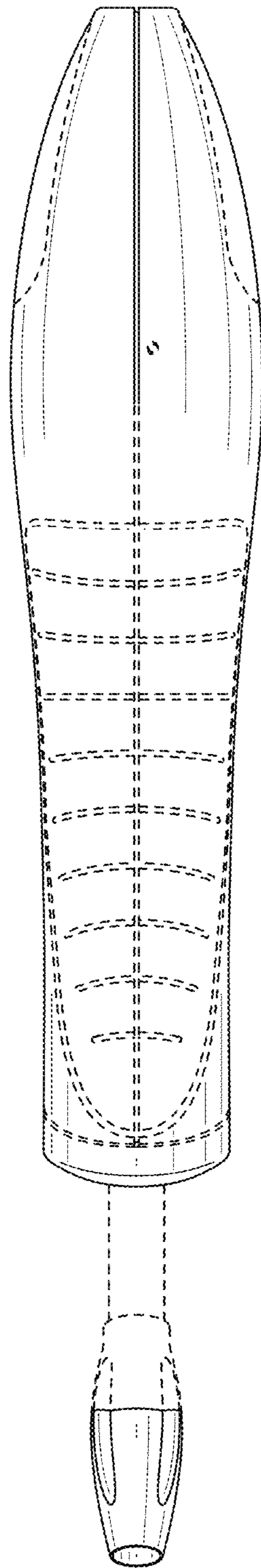


FIG. 6



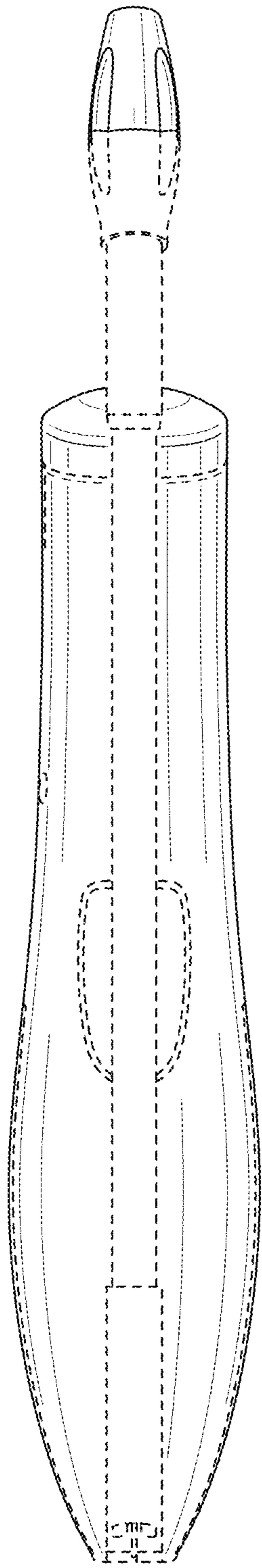


FIG. 7