

US00D797528S

(12) **United States Design Patent** (10) **Patent No.:** **US D797,528 S**
Paternostre et al. (45) **Date of Patent:** **** Sep. 19, 2017**

- (54) **SEVEN BULB PIN TRAY** 2,293,531 A * 8/1942 Brooks A01G 13/0237
206/423
- (71) Applicant: **Bloomaker USA, Inc.**, Waynesboro, VA (US) D210,302 S * 2/1968 Lansford D11/152
4,053,099 A * 10/1977 Lock B65D 71/72
206/562
- (72) Inventors: **Joep Paternostre**, Waynesboro, VA (US); **Lilian Paternostre**, Waynesboro, VA (US); **Kenneth Bruce Tenney**, Winchester, VA (US) D320,340 S * 10/1991 Rademacher D9/760
5,287,651 A * 2/1994 de Graaf A01G 31/001
47/65.9
- (73) Assignee: **Bloomaker USA, Inc.**, Waynesboro, VA (US) D393,188 S * 4/1998 Beiersdoerfer D8/1
6,161,331 A * 12/2000 Lalane A01G 9/104
206/423
- (**) Term: **15 Years** D498,432 S * 11/2004 Fan D11/152
D695,137 S * 12/2013 Buckley D9/757
D742,784 S * 11/2015 Harms D11/152
D764,970 S * 8/2016 Kalliontzis D11/152
2017/0035001 A1 * 2/2017 Blackmore, Jr. A01G 9/104

* cited by examiner

- (21) Appl. No.: **29/559,650**
- (22) Filed: **Mar. 30, 2016**
- (51) **LOC (10) Cl.** **08-01**
- (52) **U.S. Cl.**
USPC **D8/1**
- (58) **Field of Classification Search**
USPC D8/1; D9/341, 760, 750, 762; D11/152
CPC B65D 71/72; B65D 85/52; A01G 9/104;
A01G 9/12; A01G 9/02; A01G 13/0237
See application file for complete search history.

Primary Examiner — Sheryl Lane
(74) *Attorney, Agent, or Firm* — Daniel L. Fitch, Esq.

(57) **CLAIM**

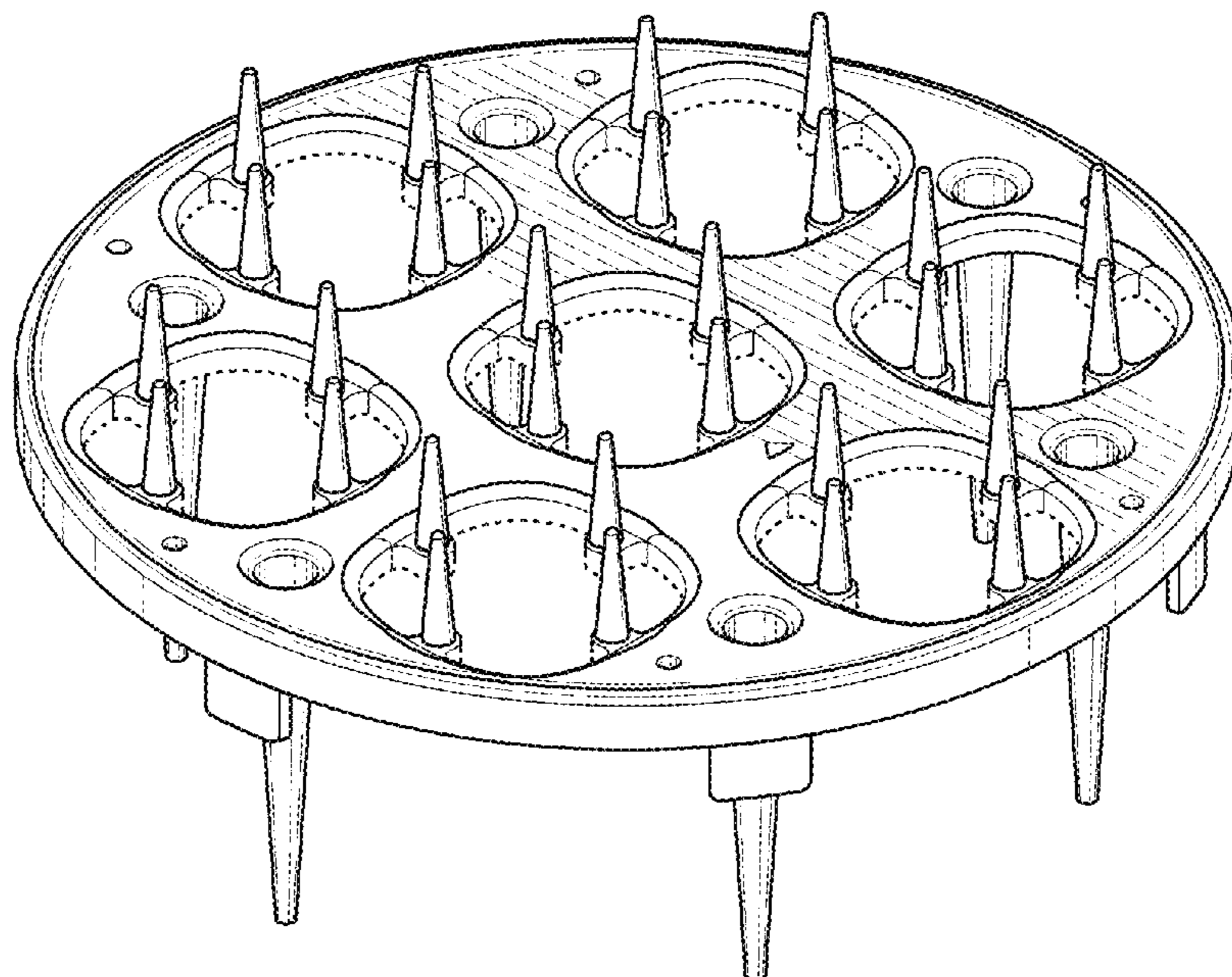
I claim the ornamental design for a seven bulb pin tray, as shown and described.

DESCRIPTION

FIG. 1 is a front perspective view showing the new design; FIG. 2 is a front view thereof; FIG. 3 is a rear view thereof; FIG. 4 is a left side view thereof; FIG. 5 is a right side view thereof; FIG. 6 is a top view thereof; and, FIG. 7 is a bottom view thereof. The broken lines in the figures depict portions of the seven bulb pin tray that form no part of the claimed design.

- (56) **References Cited**
U.S. PATENT DOCUMENTS
1,499,165 A * 6/1924 France A01G 9/02
206/423
1,527,856 A * 2/1925 France A01G 9/12
248/175
1,651,772 A * 12/1927 Jackson A01G 9/12
47/41.13
1,826,547 A * 10/1931 Jackson A01G 9/02
47/41.13

1 Claim, 5 Drawing Sheets



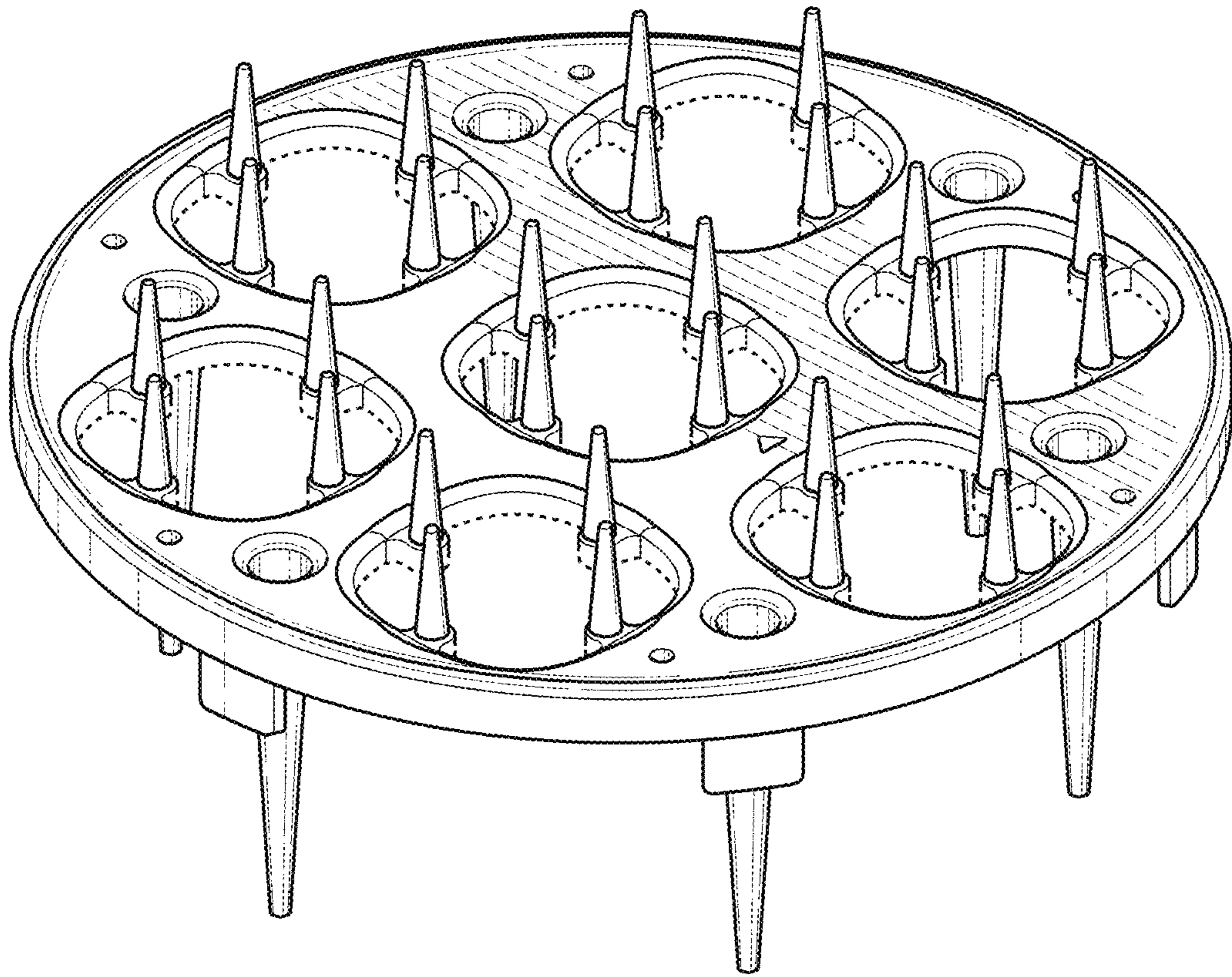


FIG. 1

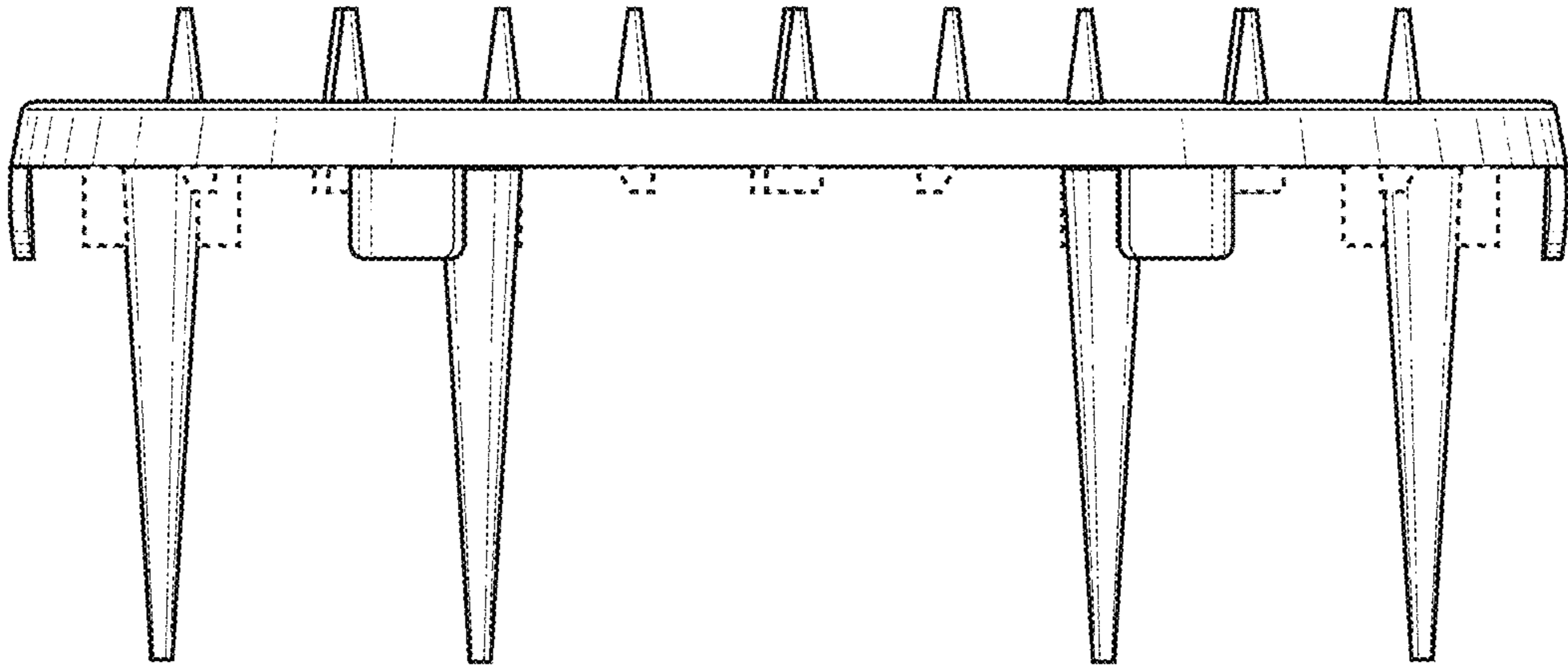


FIG. 2

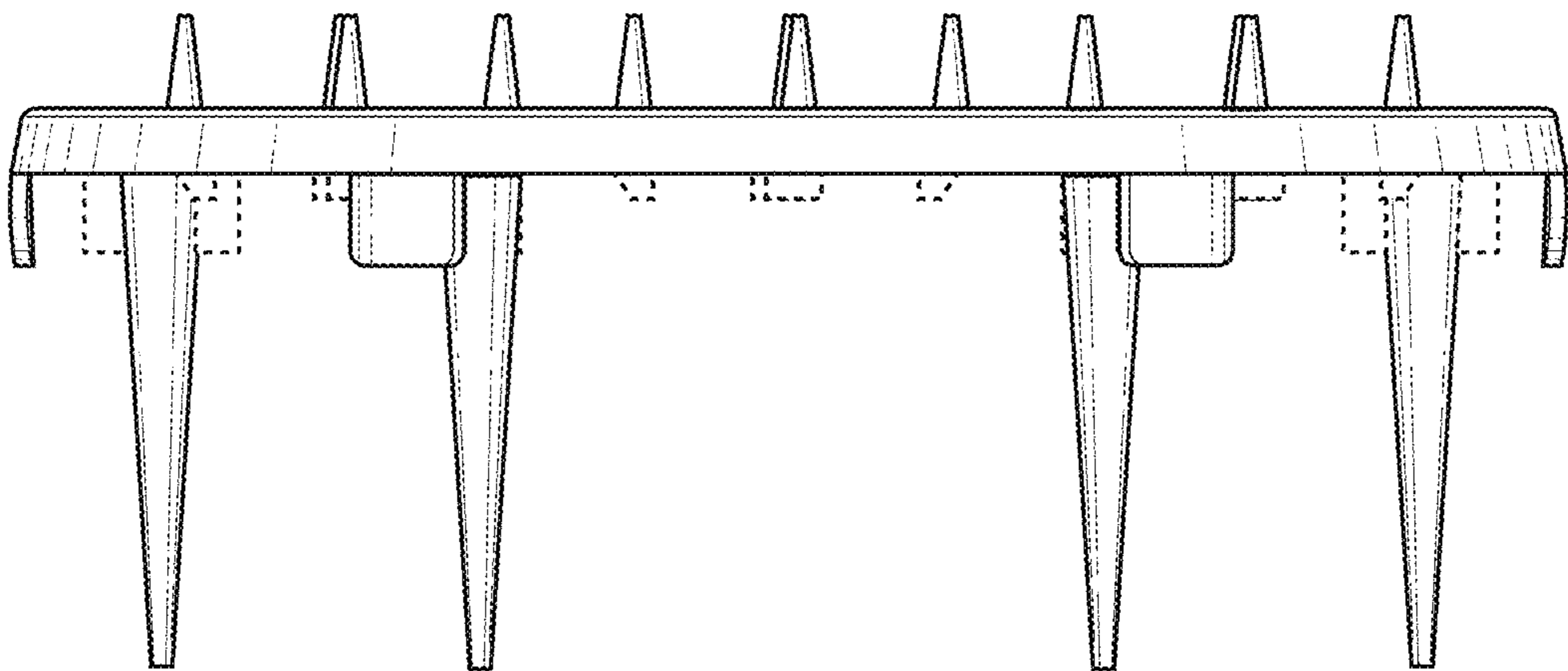


FIG. 3

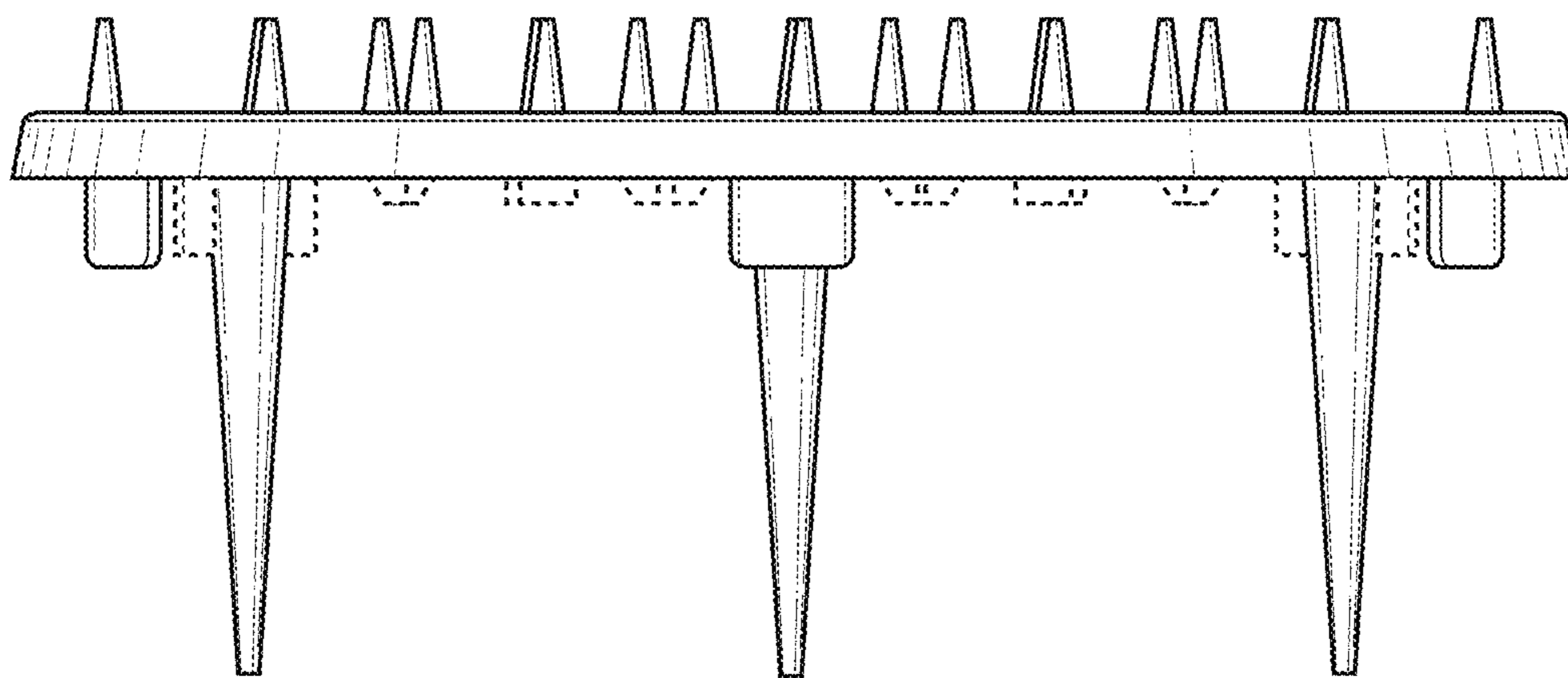


FIG. 4

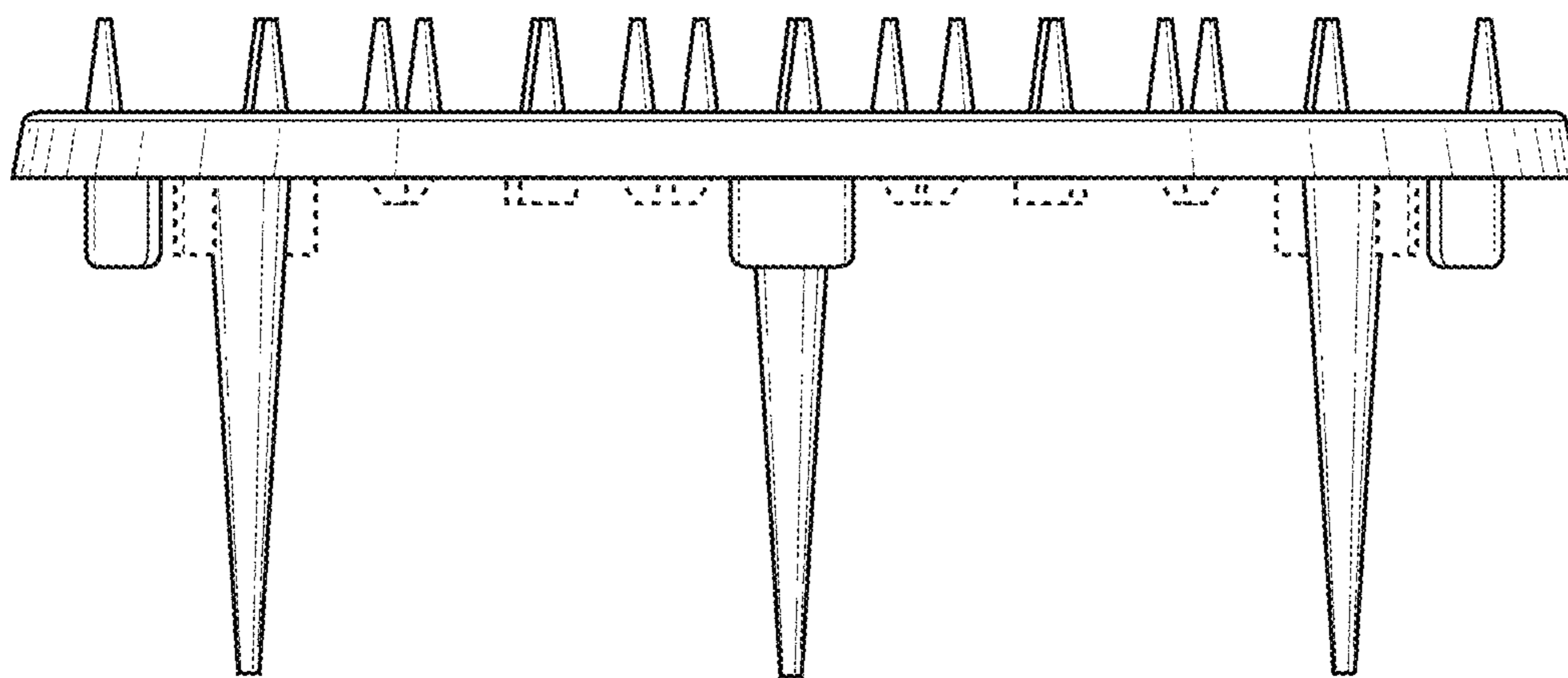


FIG. 5

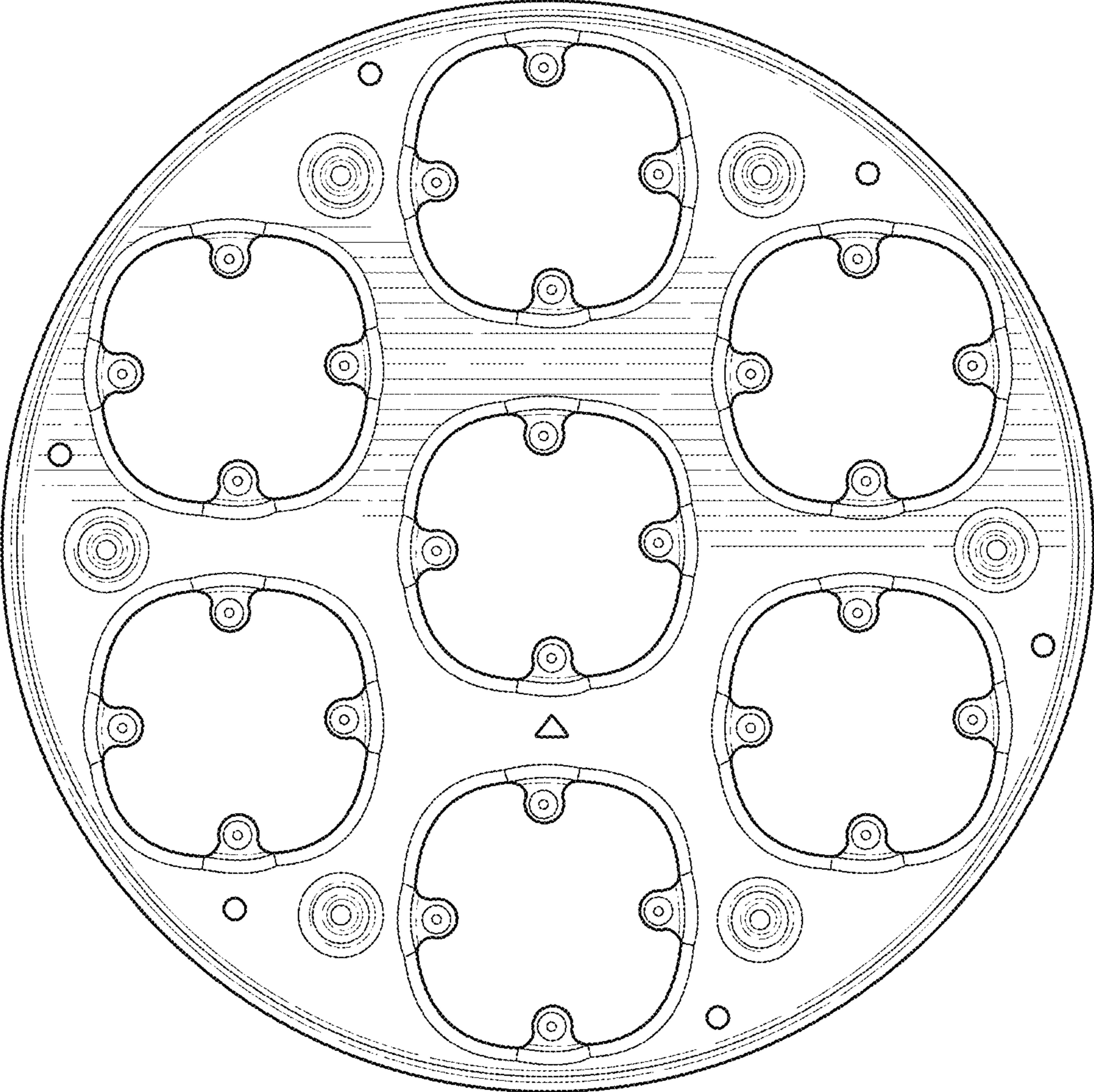


FIG. 6

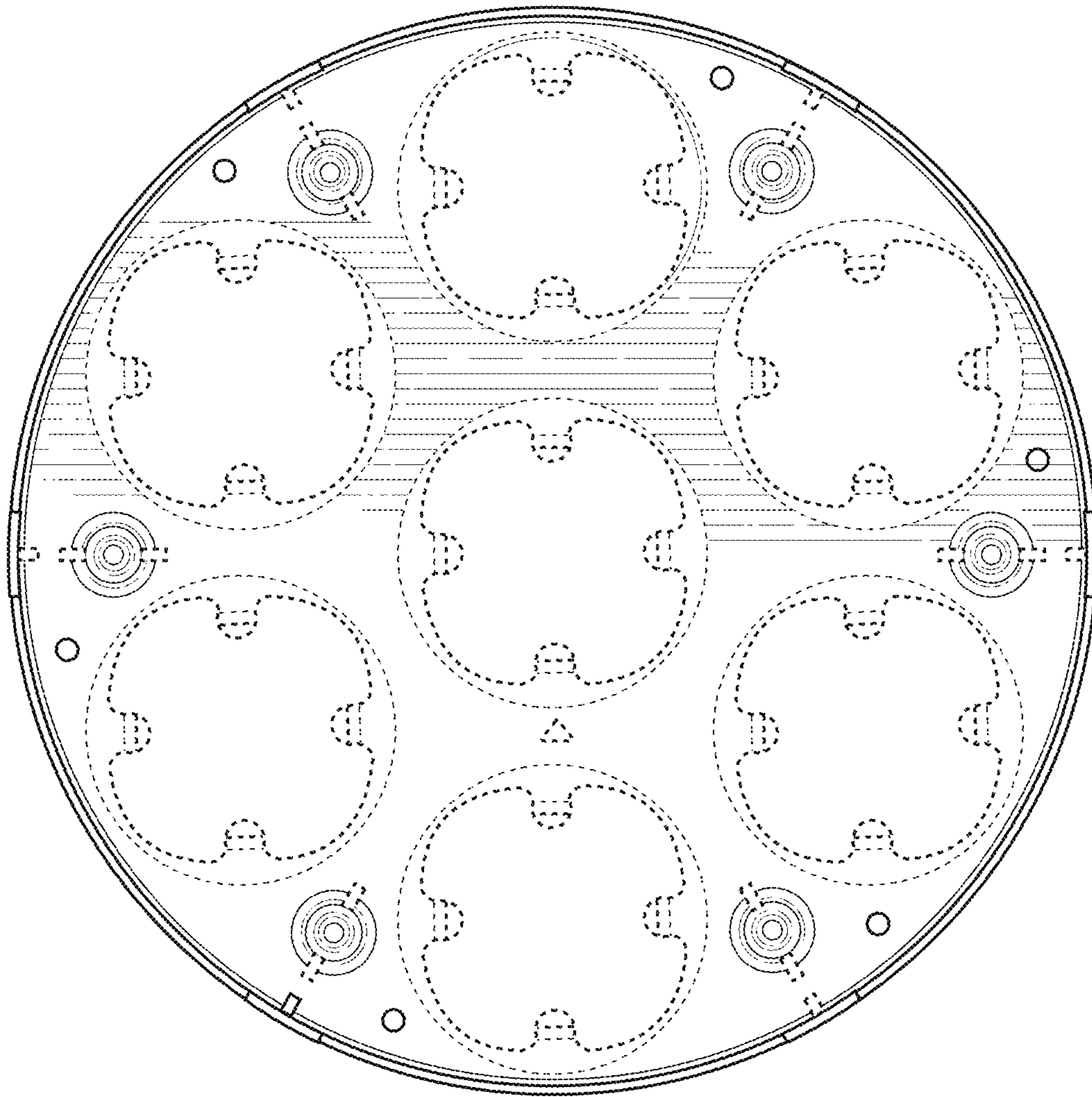


FIG. 7