



US00D797527S

(12) **United States Design Patent** (10) **Patent No.:** **US D797,527 S**
Frasca (45) **Date of Patent:** **** Sep. 19, 2017**

(54) **APPLE HOLDER**

(71) Applicant: **Deborah Ann Frasca**, East Islip, NY
(US)

(72) Inventor: **Deborah Ann Frasca**, East Islip, NY
(US)

(**) Term: **15 Years**

(21) Appl. No.: **29/574,776**

(22) Filed: **Aug. 18, 2016**

(51) **LOC (10) Cl.** **07-06**

(52) **U.S. Cl.**
USPC **D7/683**

(58) **Field of Classification Search**
USPC D7/300.2, 368, 376, 642, 653, 669,
D7/680-683, 685, 686, 688, 690, 696;
D8/6, 82, 83; D32/40, 46, 51, 52
CPC A47G 21/023; A47G 19/303; A47G 21/00;
A47J 43/283

See application file for complete search history.

(56) **References Cited**

U.S. PATENT DOCUMENTS

- 201,230 A * 3/1878 Yongh A47G 19/303
294/5
- D26,777 S * 3/1897 Donnelly 294/5
- 1,801,653 A * 4/1931 Berry A47G 19/303
294/5
- D274,207 S * 6/1984 Lenaghan 294/5
- D387,964 S * 12/1997 Urvoy D8/107
- D402,522 S * 12/1998 Gillman D8/107
- D465,396 S * 11/2002 Song D8/82
- D470,729 S * 2/2003 Kotsonis D7/683
- D497,293 S * 10/2004 Cheng D7/683
- D497,668 S * 10/2004 Bogazzi D24/133
- D535,540 S * 1/2007 Caplan D8/82
- D562,089 S * 2/2008 Peterson D7/683
- D634,172 S * 3/2011 Robinson D8/83
- D646,544 S * 10/2011 Molina D8/83
- D656,801 S * 4/2012 Pickett D7/683
- D684,836 S * 6/2013 Wong D8/82

- D755,585 S * 5/2016 Berge D7/683
- D767,358 S * 9/2016 Harrison D8/83
- 2012/0097575 A1* 4/2012 Abel A47G 19/303
206/576

OTHER PUBLICATIONS

QVC. Set of 20 Heat Resistant Screw-In Corn Holders. May 30, 2014 [earliest online date], [site visited Jun. 16, 2017]. Available from Internet, <URL:http://www.qvc.com/Set-of-20-Heat-Resistant-Screw-In-Corn-Holders.product.K40910.html>.*

* cited by examiner

Primary Examiner — Robert M Spear
Assistant Examiner — Darcey E Heflin
(74) *Attorney, Agent, or Firm* — Vincent G. LoTempio;
Kloss, Stenger & LoTempio; David T. Stephenson

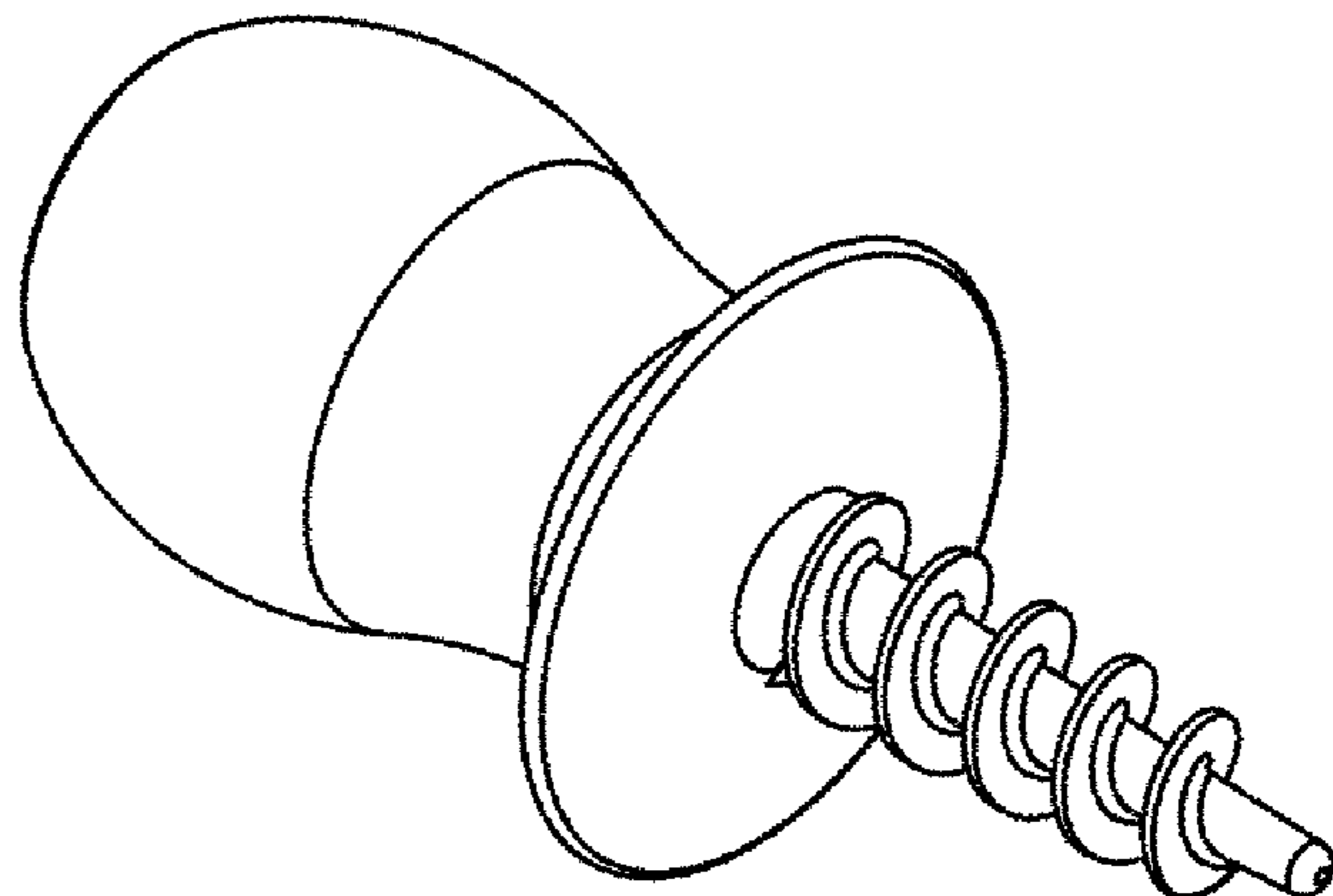
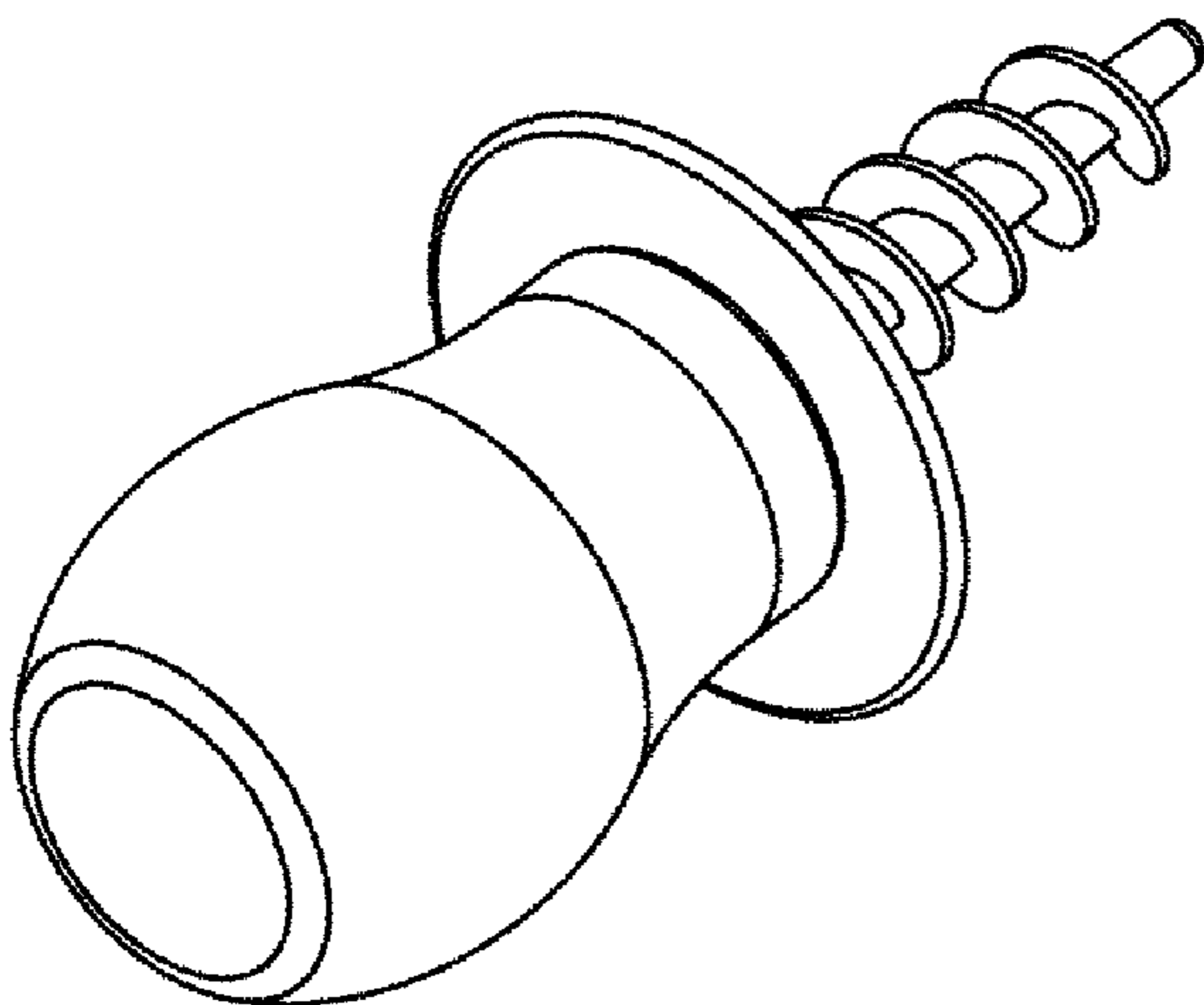
(57) **CLAIM**

The ornamental design for an apple holder, as shown and described.

DESCRIPTION

FIG. 1 is a back perspective view of an apple holder showing my new design;
FIG. 2 is a front perspective view thereof;
FIG. 3 is a right side view thereof with a left side view being a mirror image thereof;
FIG. 4 is a bottom elevational view thereof;
FIG. 5 is a top elevational view thereof; and,
FIG. 6 is an alternate perspective view showing the device in use.
The broken lines showing of an apple in FIG. 6 illustrates environmental subject matter and forms no part of the claimed design.

1 Claim, 3 Drawing Sheets



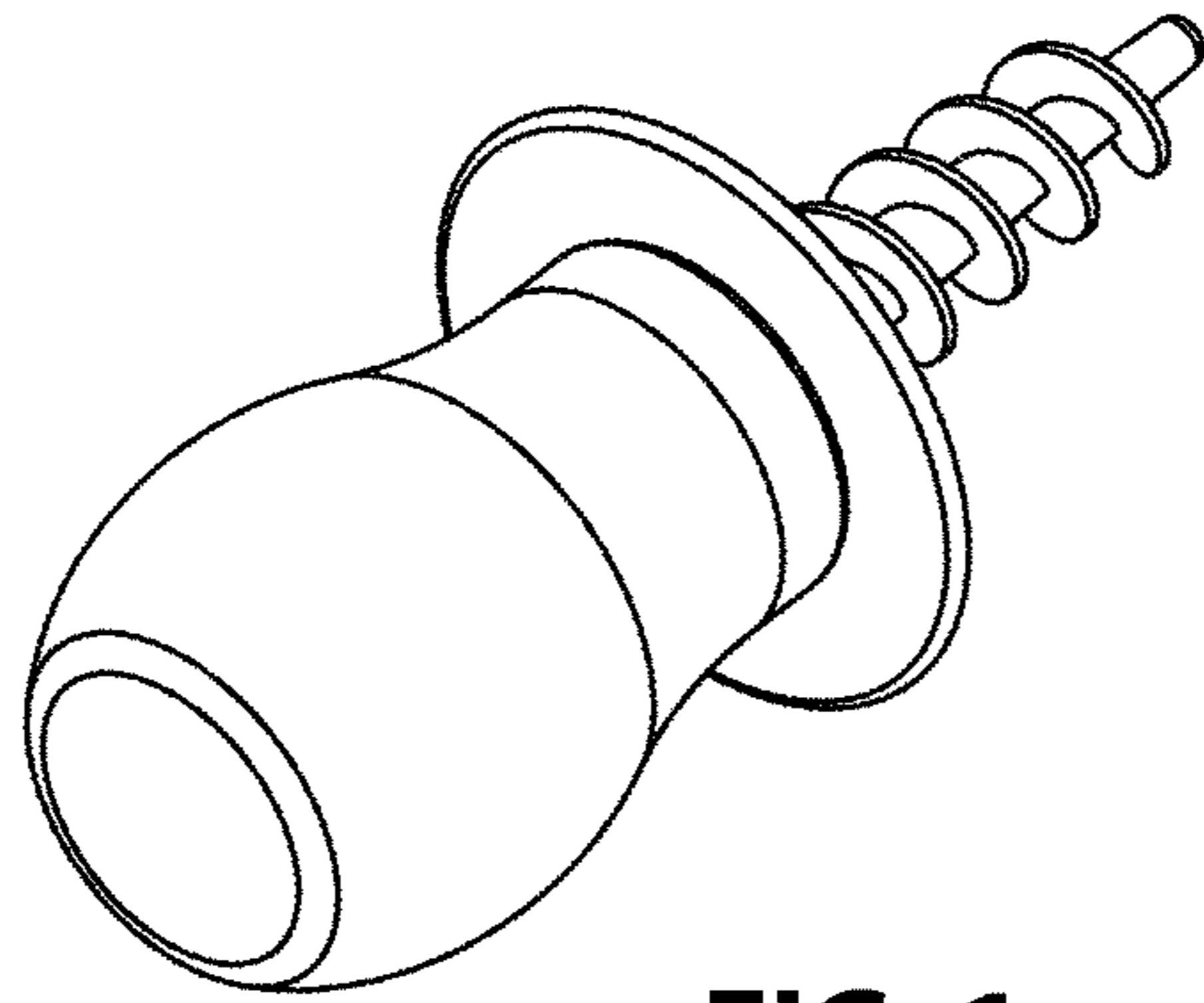


FIG. 1

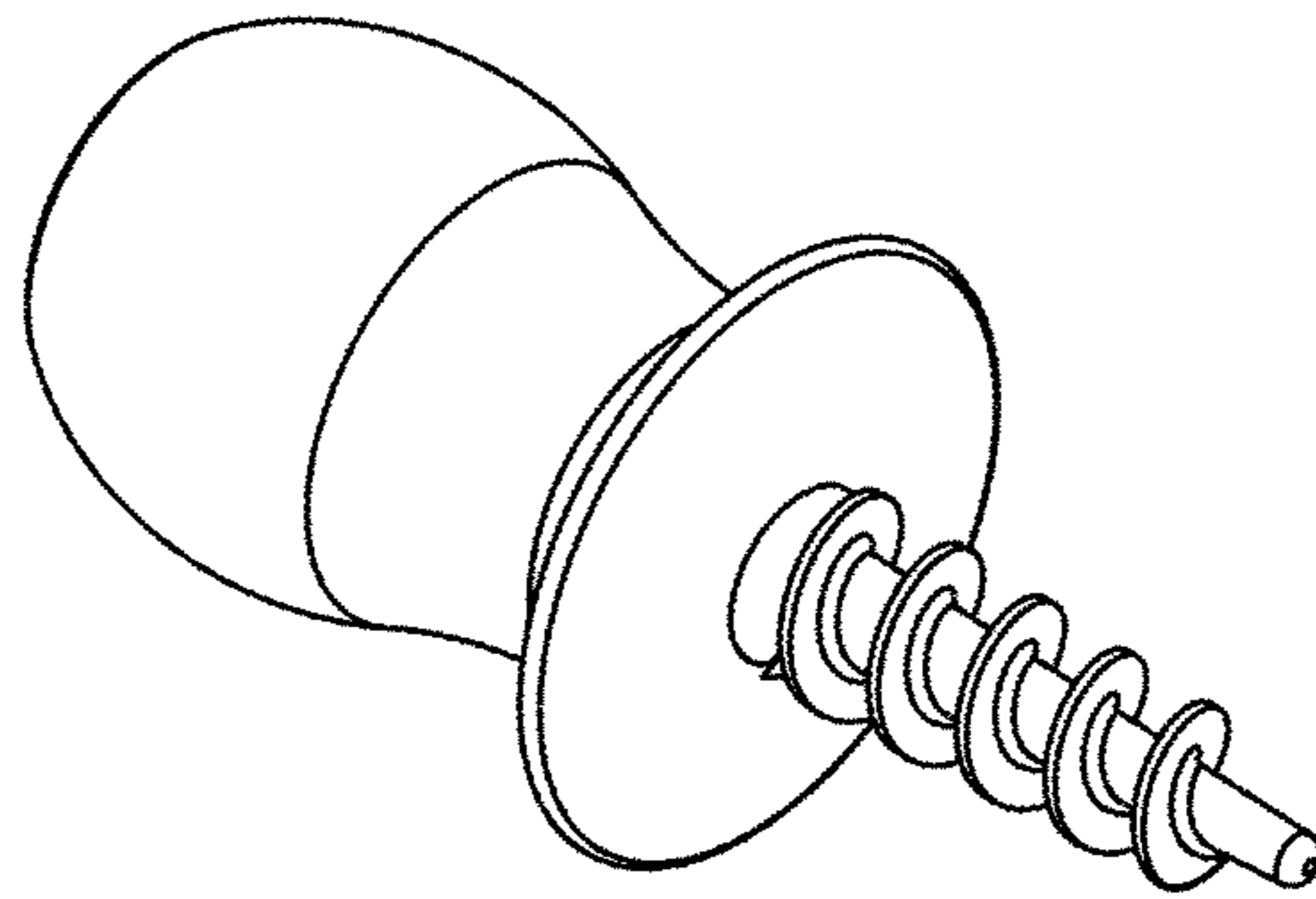


FIG. 2

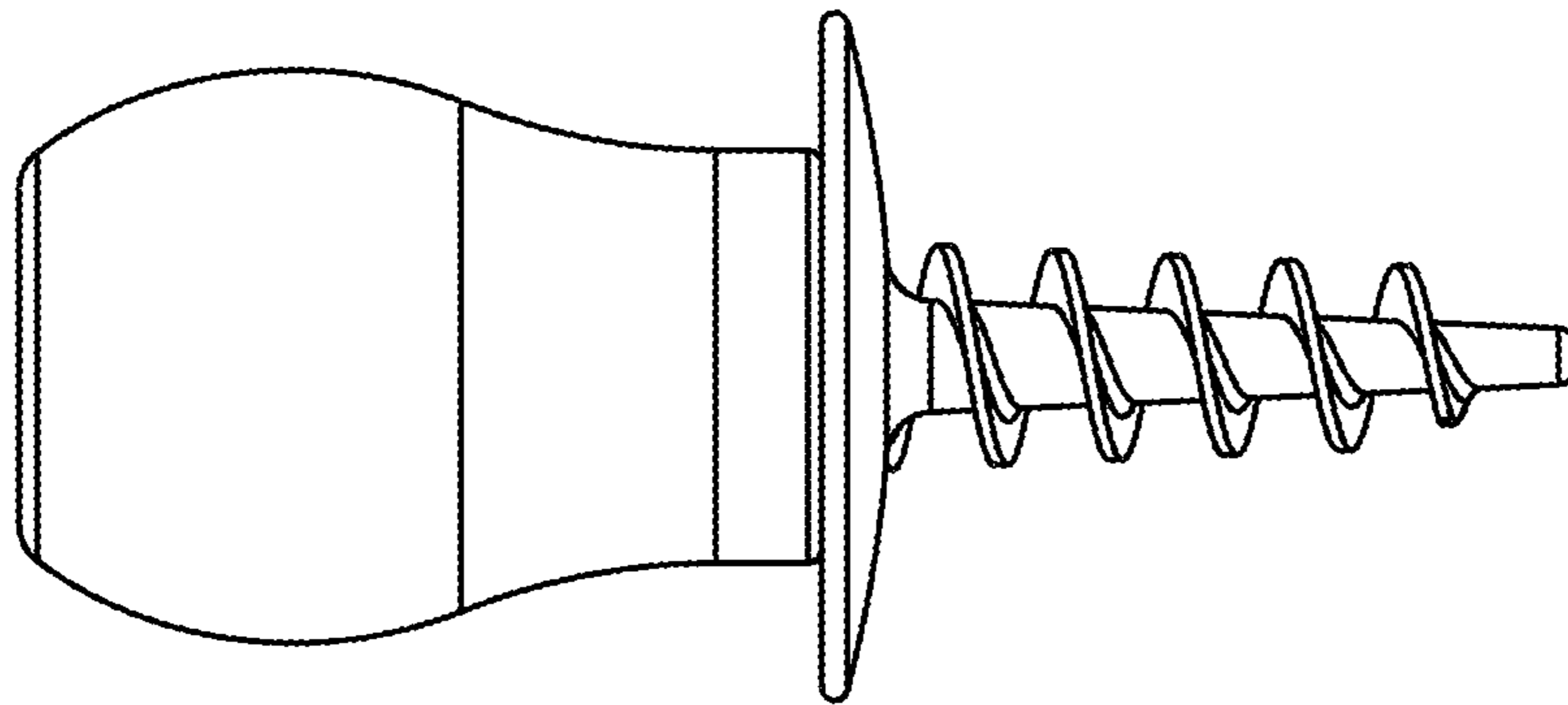


FIG. 3

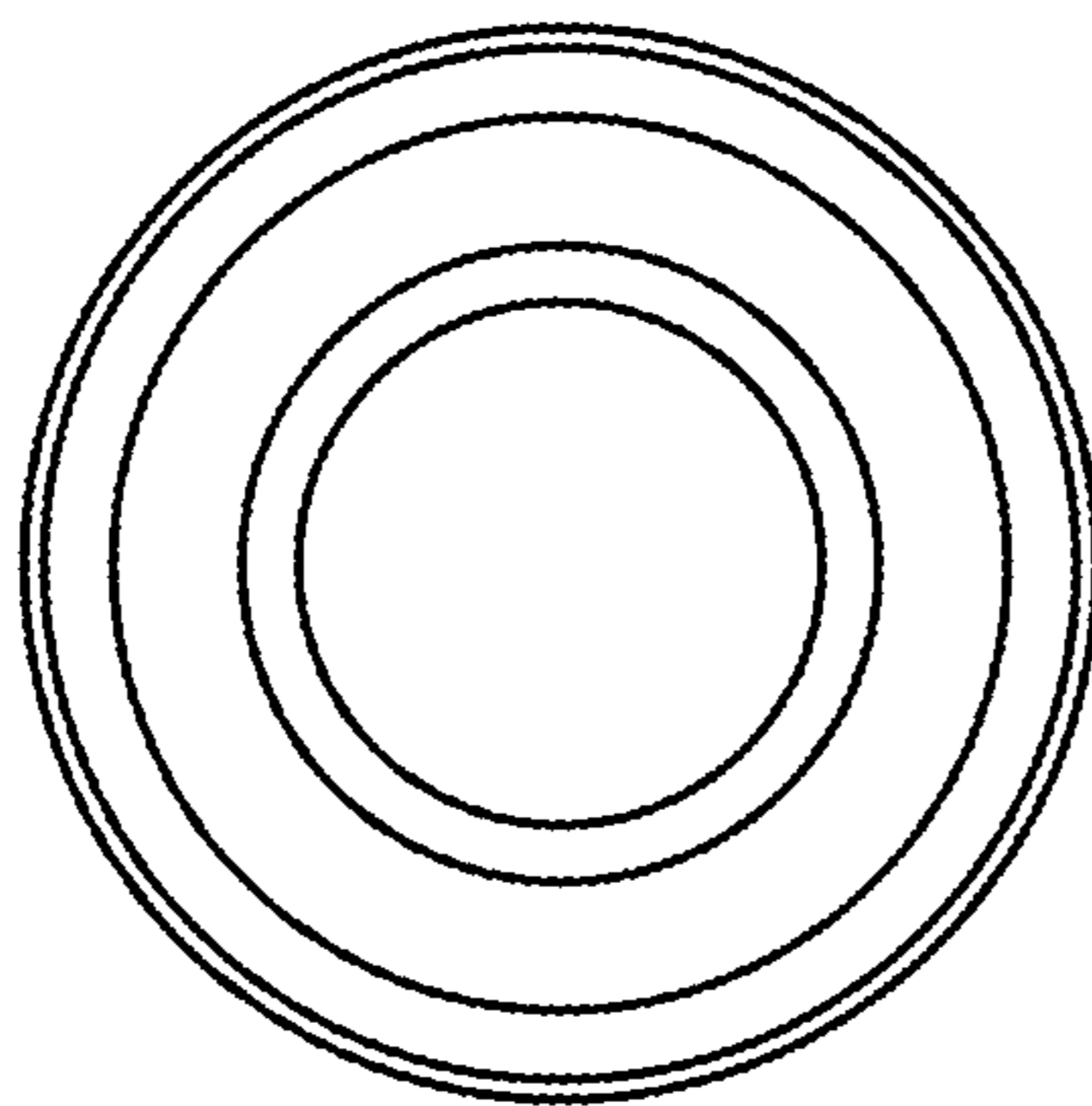


FIG. 4

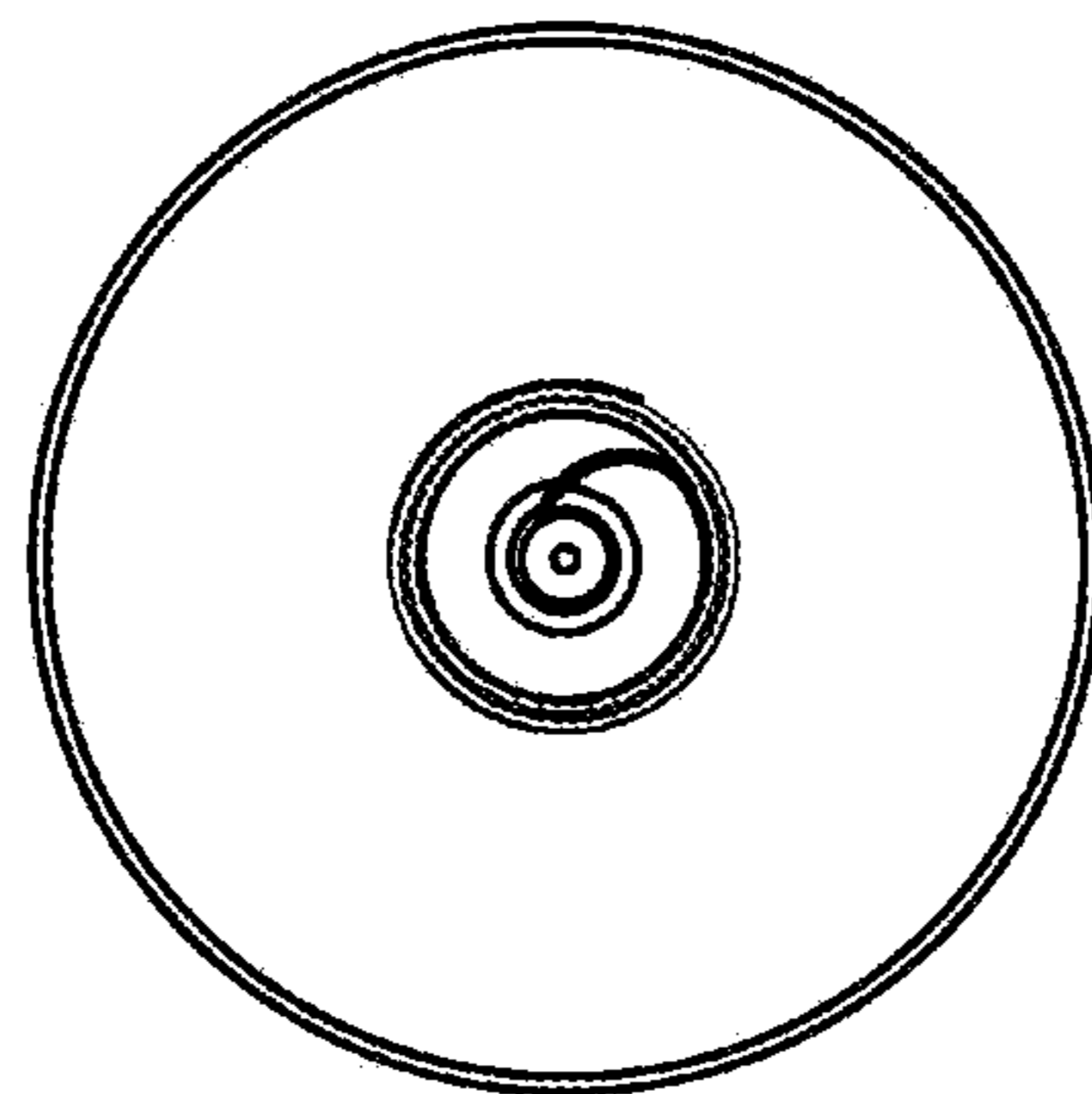


FIG. 5

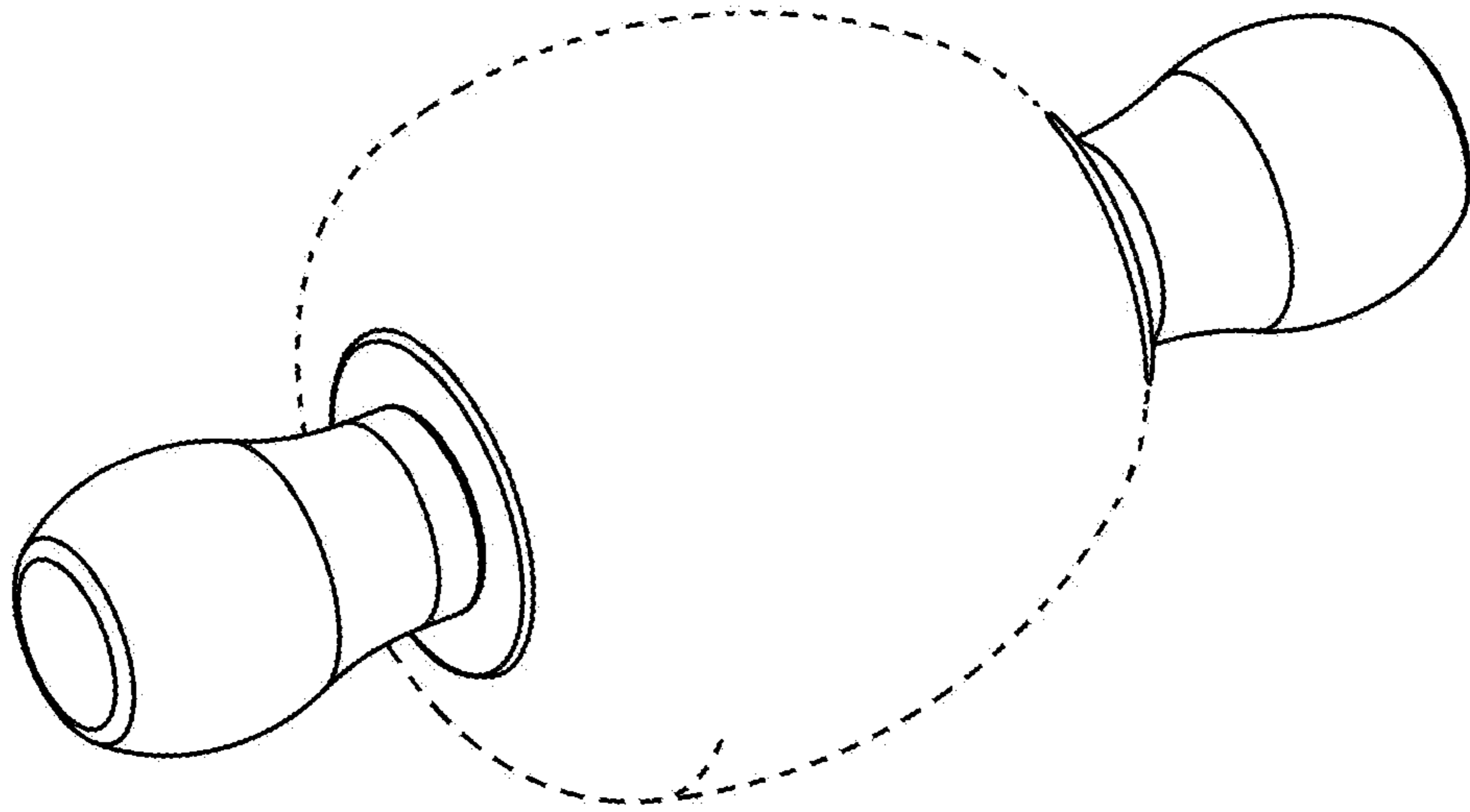


FIG. 6