



US00D797526S

(12) **United States Design Patent**
Klipshtein

(10) **Patent No.:** **US D797,526 S**

(45) **Date of Patent:** **** Sep. 19, 2017**

(54) **EGG YOLK SEPARATOR**

(71) Applicant: **HUTZLER MANUFACTURING CO., INC.**, Canaan, CT (US)

(72) Inventor: **Guy Klipshtein**, Givatayim (IL)

(73) Assignee: **Hutzler Manufacturing Co., Inc.**, Canaan, CT (US)

(**) Term: **15 Years**

(21) Appl. No.: **29/556,190**

(22) Filed: **Feb. 29, 2016**

(51) **LOC (10) Cl.** **31-00**

(52) **U.S. Cl.**
USPC **D7/667**

(58) **Field of Classification Search**
USPC D7/303, 368, 503, 667, 668, 669,
D7/672-678, 691; D21/532, 472;
D10/46.2
CPC .. A47J 43/00; A47J 43/14; A47J 43/22; A47J
43/24; A47J 19/005; B01F 13/002
See application file for complete search history.

(56) **References Cited**

U.S. PATENT DOCUMENTS

- 3,049,014 A * 8/1962 Aue G01F 19/002
220/890
- 3,656,525 A * 4/1972 Goodart A47J 43/14
99/499
- D243,380 S * 2/1977 Berger D15/147

- D259,938 S * 7/1981 Bantin D21/473
- D473,109 S * 4/2003 Birchansky D7/673
- D499,312 S * 12/2004 So D7/667
- D598,717 S * 8/2009 Jalet D7/667
- D628,448 S * 12/2010 Genatossio D7/691
- D664,012 S * 7/2012 De Leo D7/667
- 8,381,640 B1 * 2/2013 Wilson A47J 37/10
210/464
- D749,917 S * 2/2016 Roberts D7/673
- 2003/0209155 A1 * 11/2003 Fiorello A47J 43/00
99/495
- 2012/0125210 A1 * 5/2012 Myoung A47J 43/14
99/497

* cited by examiner

Primary Examiner — Karen S Acker

Assistant Examiner — S. Bryan Reinholdt, Jr.

(74) *Attorney, Agent, or Firm* — Michael J. Striker

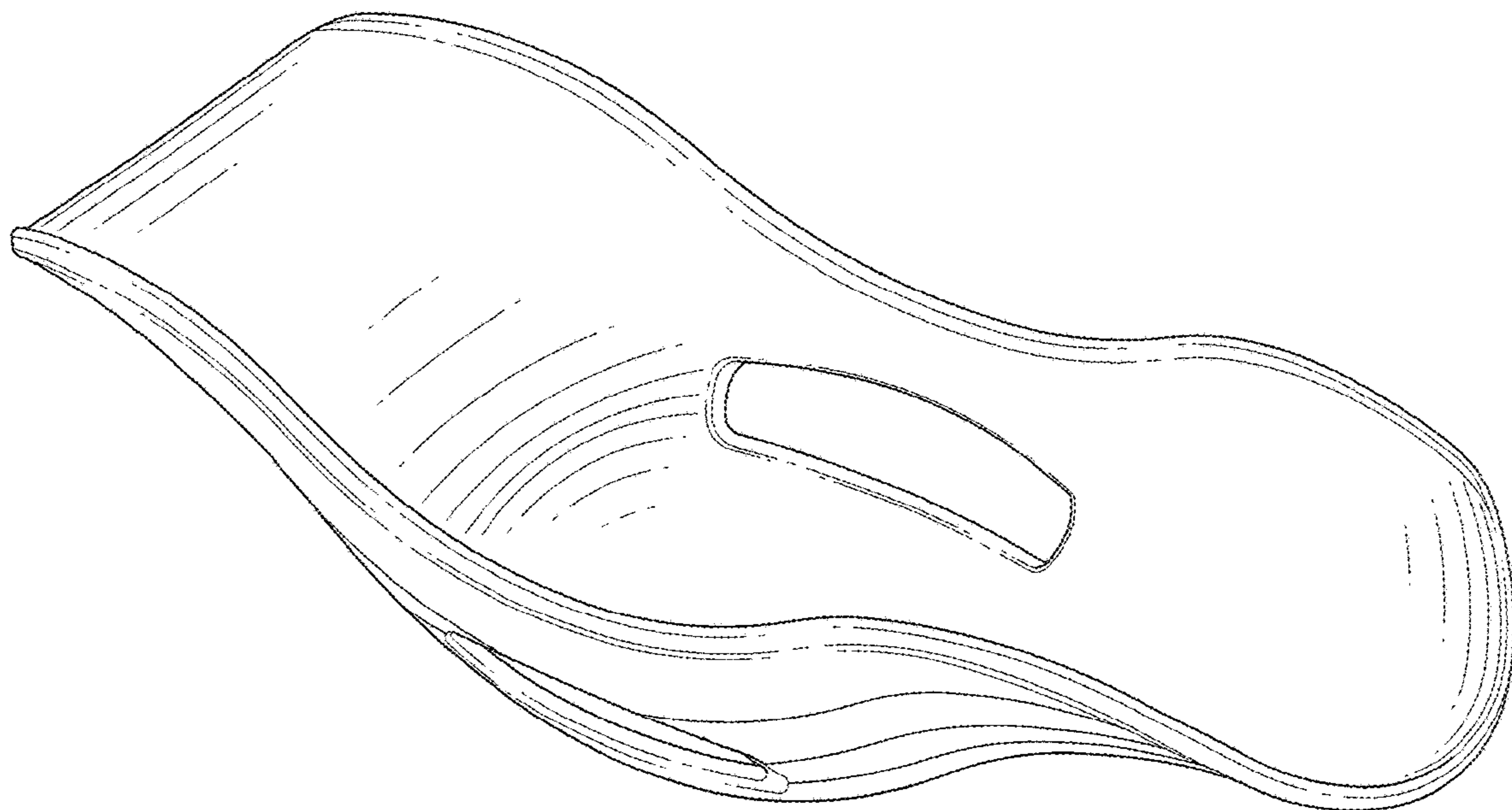
(57) **CLAIM**

The ornamental design for an egg yolk separator, as shown and described.

DESCRIPTION

FIG. 1 is a front perspective view of an egg yolk separator showing my new design;
 FIG. 2 is a rear perspective view thereof;
 FIG. 3 is a front elevational view thereof;
 FIG. 4 is a rear elevational view thereof;
 FIG. 5 is a left elevational view thereof;
 FIG. 6 is a right elevational view thereof;
 FIG. 7 is a top tier view thereof; and,
 FIG. 8 is a bottom plan view thereof.

1 Claim, 7 Drawing Sheets



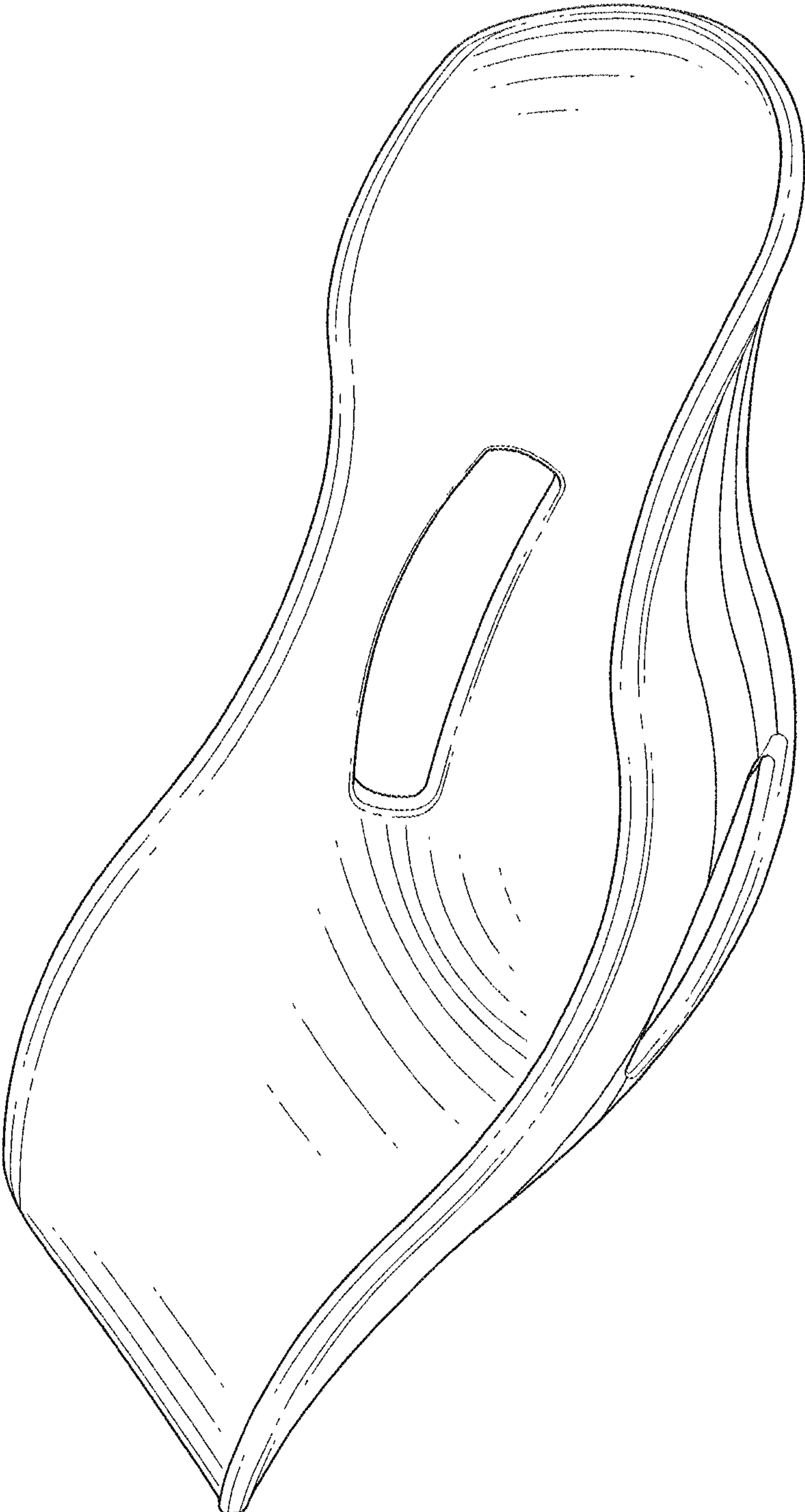


FIG. 1

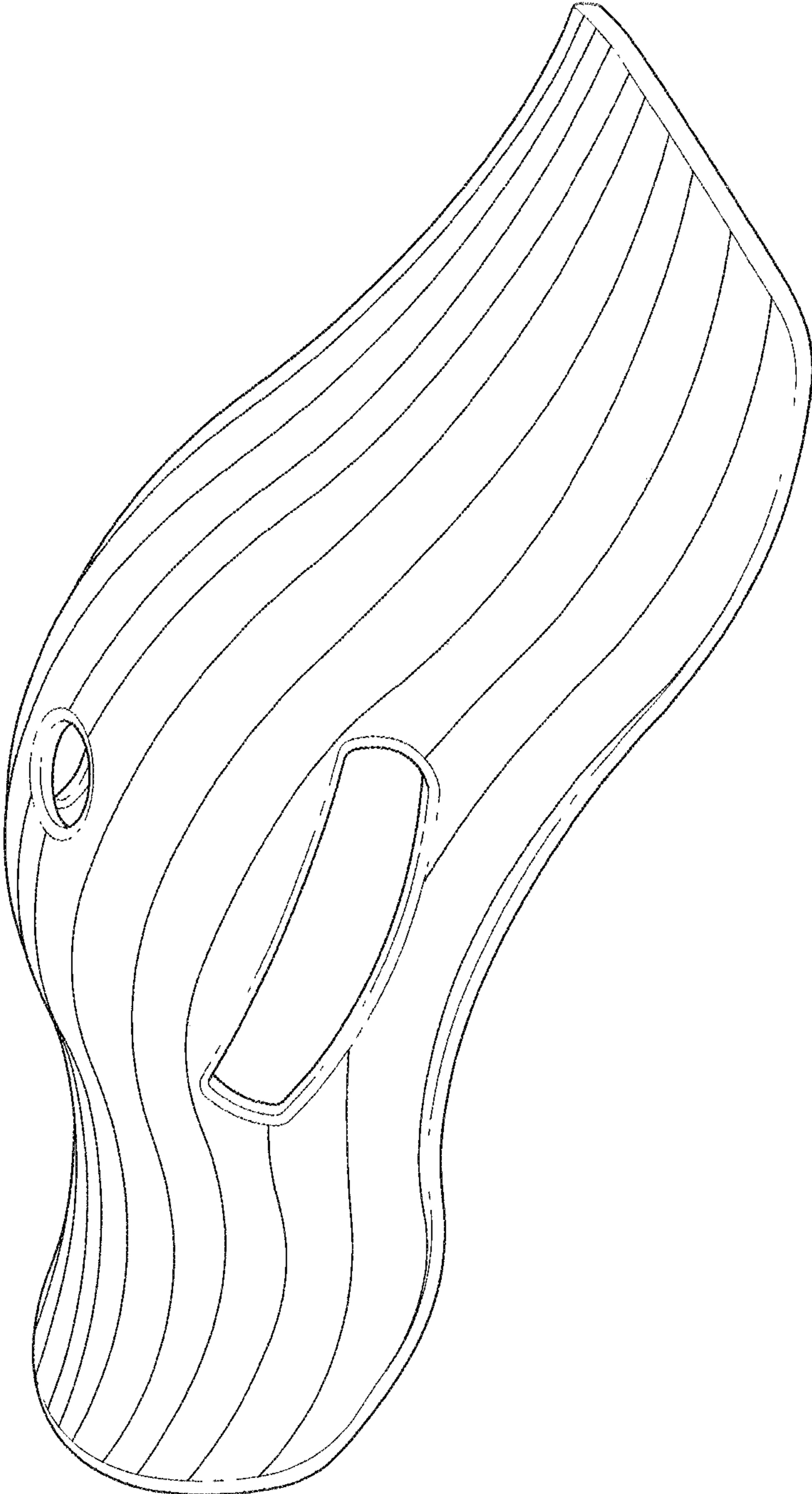


FIG. 2

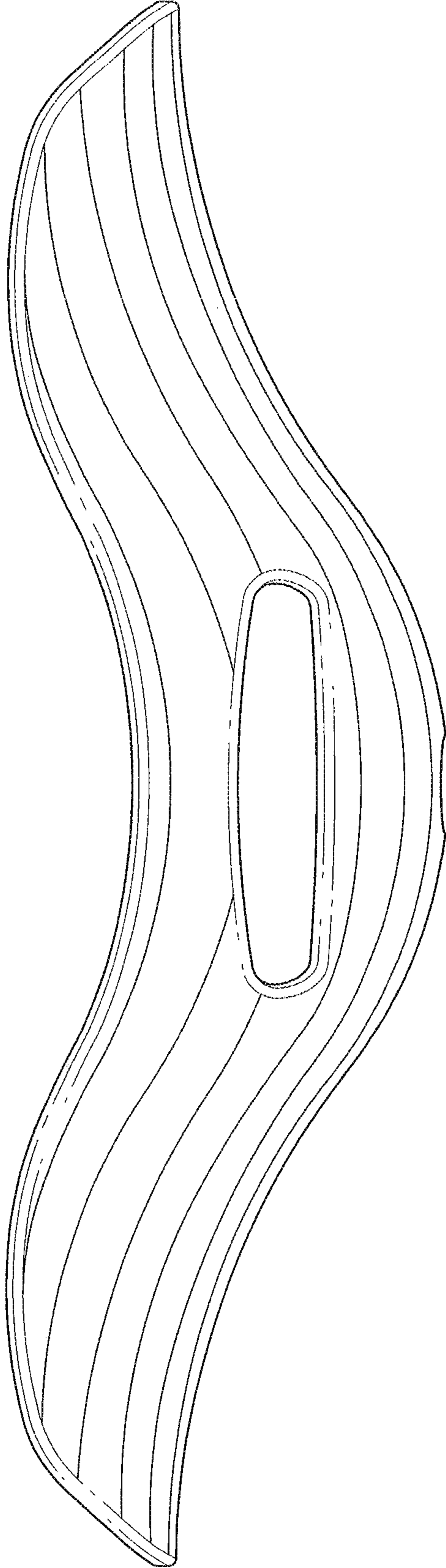


FIG. 3

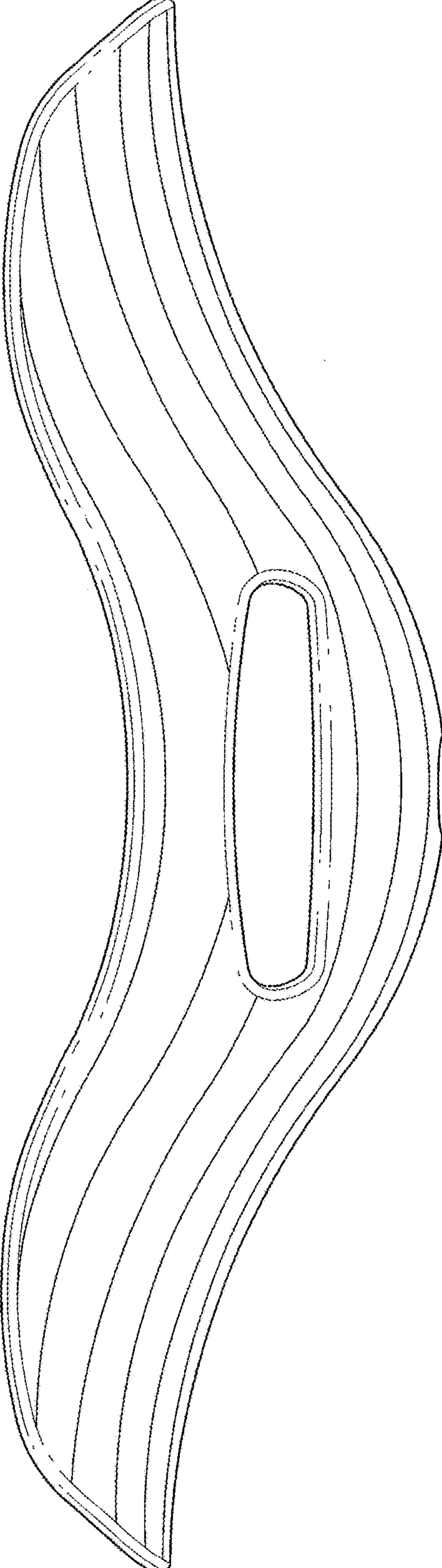


FIG.4

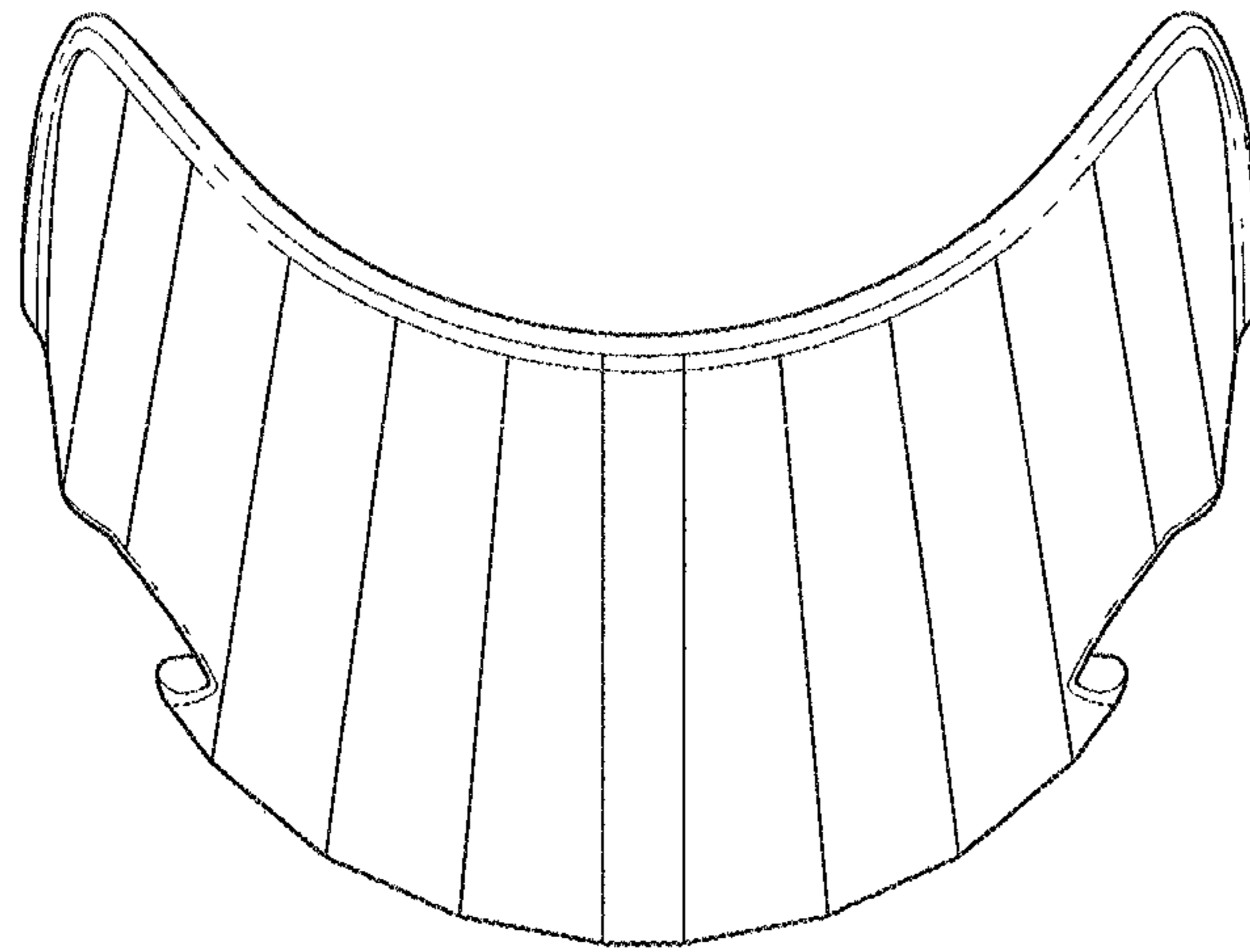


FIG. 5

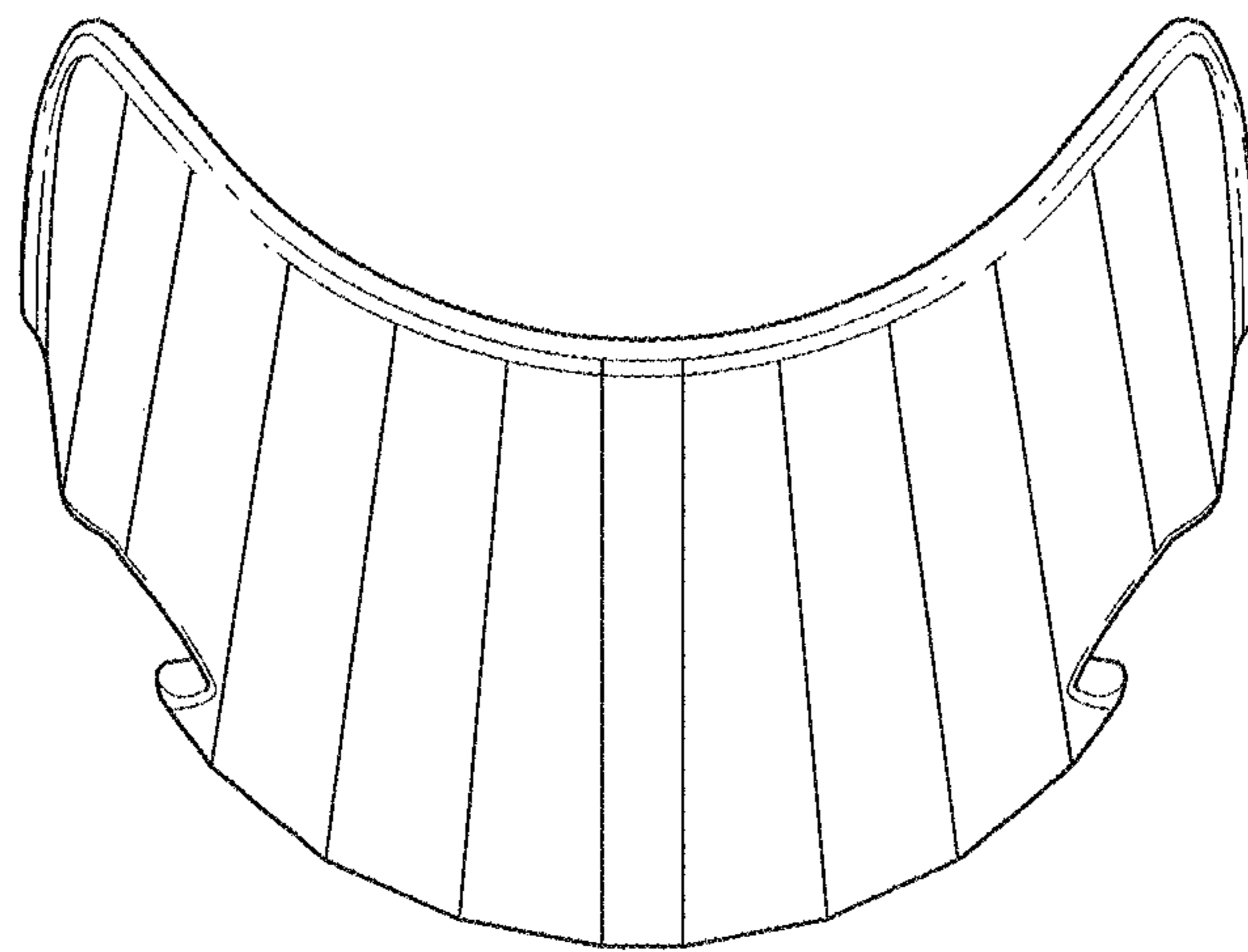


FIG. 6

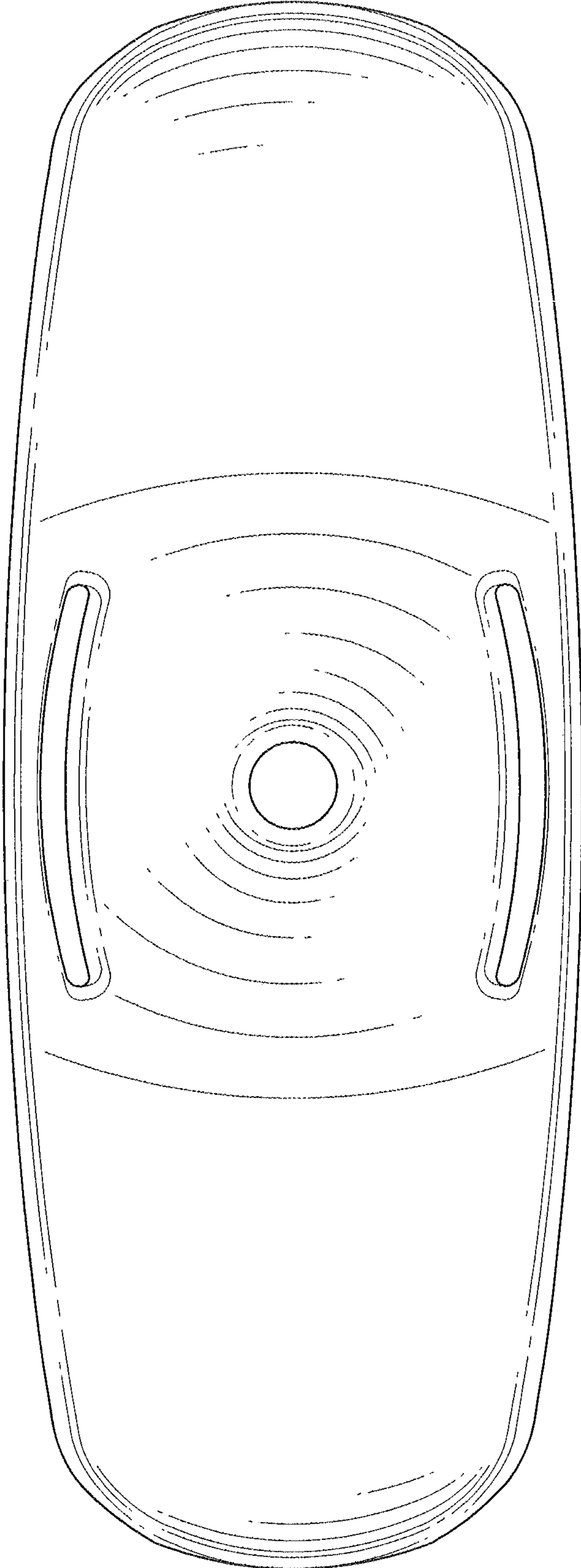


FIG. 7

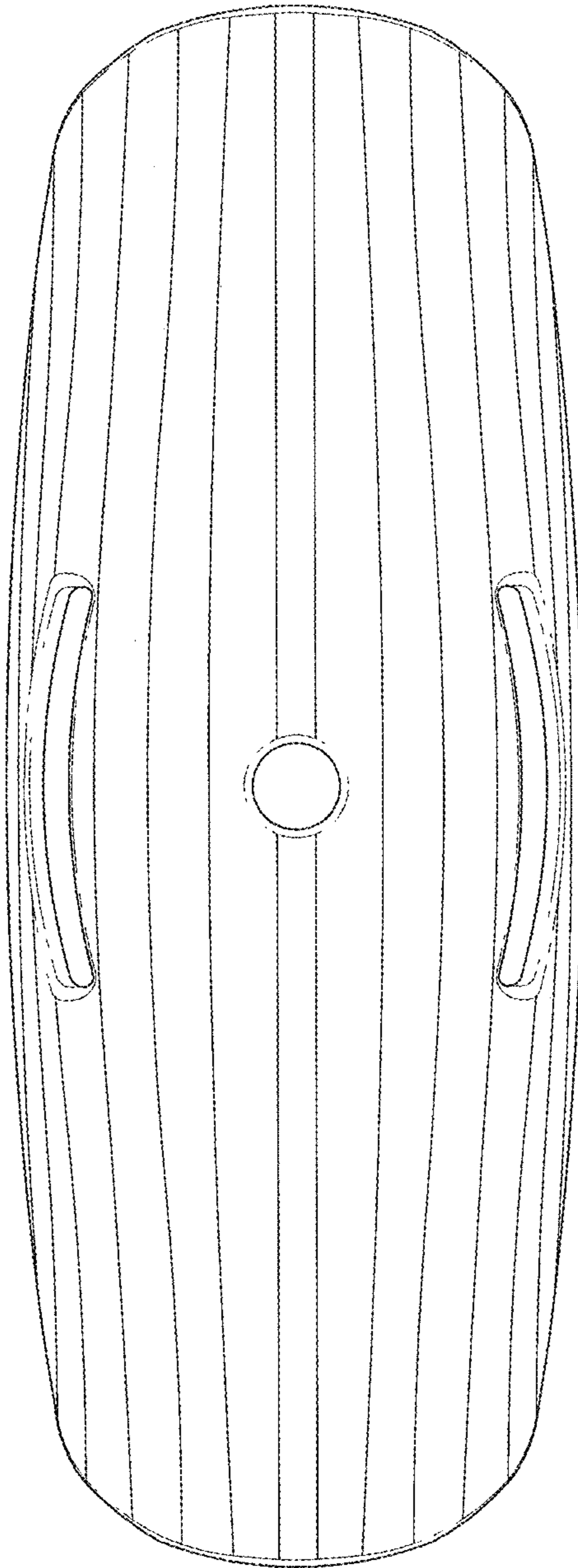


FIG.8