



US00D797522S

(12) **United States Design Patent** (10) **Patent No.:** **US D797,522 S**
Dobbs (45) **Date of Patent:** **** Sep. 19, 2017**

(54) **CUP HOLDER**

(71) Applicant: **Blaine Alan Dobbs**, Sugar Land, TX (US)

(72) Inventor: **Blaine Alan Dobbs**, Sugar Land, TX (US)

(**) Term: **15 Years**

(21) Appl. No.: **29/558,761**

(22) Filed: **Mar. 21, 2016**

(51) **LOC (10) Cl.** **07-06**

(52) **U.S. Cl.**
USPC **D7/620**

(58) **Field of Classification Search**
USPC D7/619.1-625; D12/411
CPC E06C 7/14; B60N 31/103; B60N 31/102;
A47G 7/044; A47G 29/08; A47K 10/14;
F16M 11/04

See application file for complete search history.

(56) **References Cited**

U.S. PATENT DOCUMENTS

2,912,205	A *	11/1959	Toune	E06C 7/14
					248/210
4,256,281	A *	3/1981	Harris	B60N 3/103
					224/414
4,312,465	A *	1/1982	Sinkhorn	B62J 11/00
					220/475
D266,834	S *	11/1982	Sinkhorn	D12/411
D369,526	S *	5/1996	Colton	D7/620
D377,886	S *	2/1997	Colton	D7/620
D449,814	S *	10/2001	Guertin	D12/411

* cited by examiner

Primary Examiner — Terry Wallace

(74) *Attorney, Agent, or Firm* — Finnegan, Henderson, Farabow, Garrett & Dunner LLP

(57) **CLAIM**

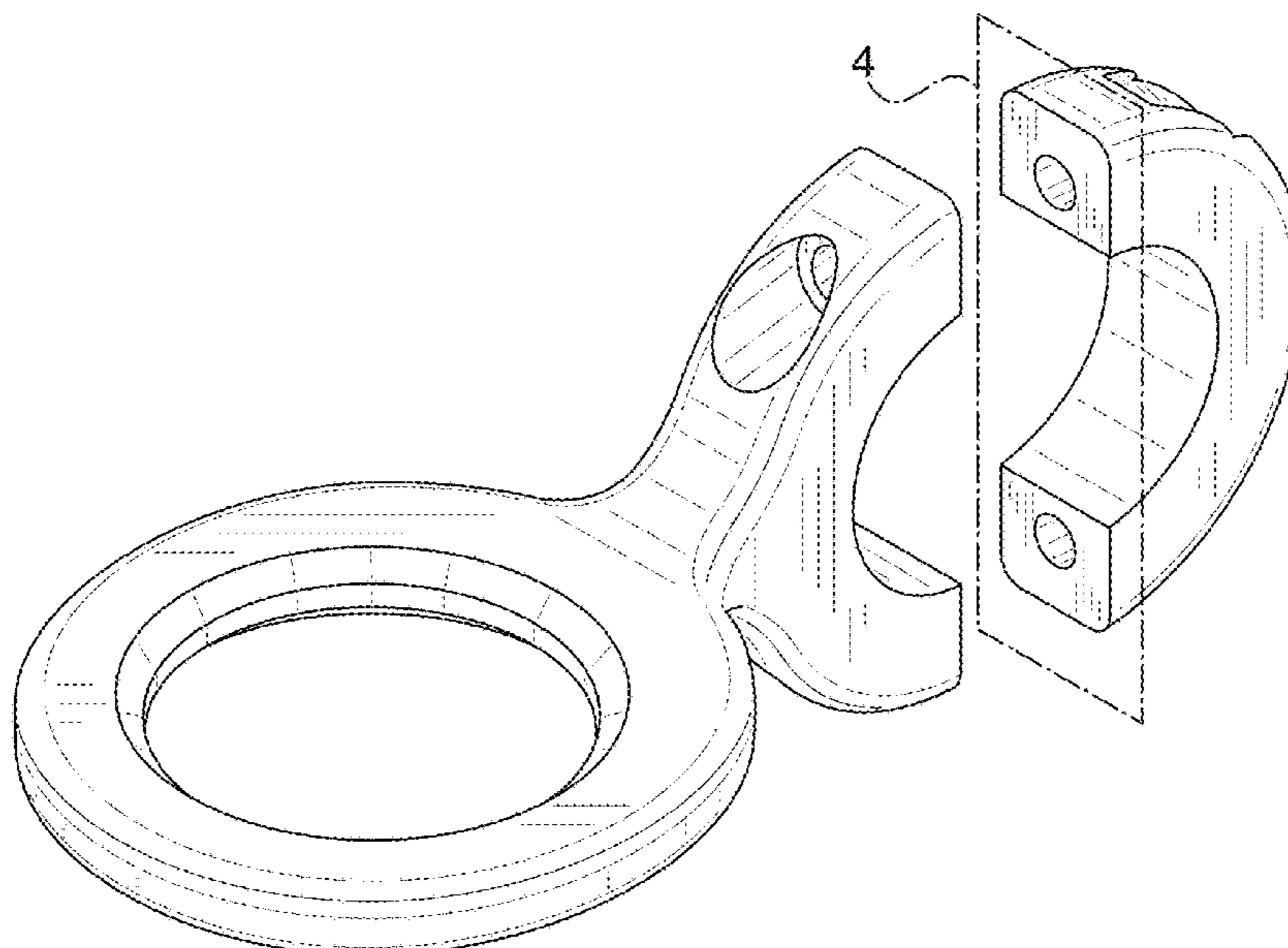
The ornamental design for cup holder, as shown and described.

DESCRIPTION

FIG. 1 is a front top right perspective view of a first embodiment of a cup holder showing my new design; FIG. 2 is a rear top right perspective view thereof; FIG. 3 is a front elevation view thereof; FIG. 4 is a front elevation view of the rear bracket of the cup holder, as indicated by the broken line box shown in FIG. 1; FIG. 5 is a rear elevation view of the cup holder of FIG. 1; FIG. 6 is a rear elevation view of the front bracket of the cup holder, as indicated by the broken line box shown in FIG. 2; FIG. 7 is a top plan view of the cup holder of FIG. 1, the bottom view being a mirror image thereof; FIG. 8 is a right side view thereof, the left side view being a mirror image thereof; FIG. 9 is a front top right perspective view of a second embodiment of a cup holder showing my new design; FIG. 10 is a rear top right perspective view thereof; FIG. 11 is a front elevation view thereof; FIG. 12 is a front elevation view of the rear bracket of the cup holder, as indicated by the broken line box shown in FIG. 9; FIG. 13 is a rear elevation view of the cup holder of FIG. 9; FIG. 14 is a rear elevation view of the front bracket of the cup holder, as indicated by the broken line box shown in FIG. 10; FIG. 15 is a top plan view of the cup holder of FIG. 9, the bottom view being a mirror image thereof; and, FIG. 16 is a right side view thereof, the left side view being a mirror image thereof.

The broken lines form no part of the claimed design.

1 Claim, 16 Drawing Sheets



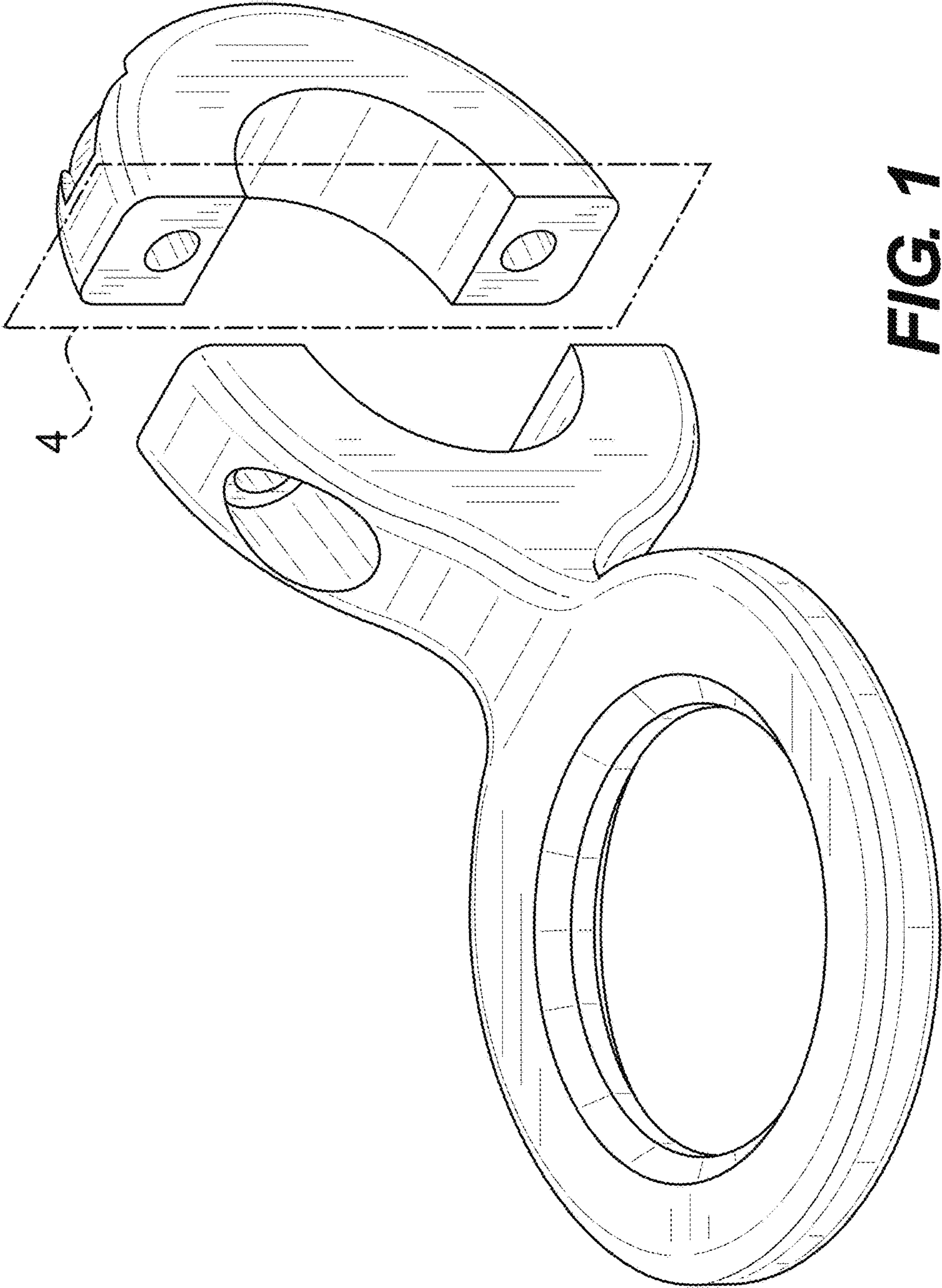


FIG. 1

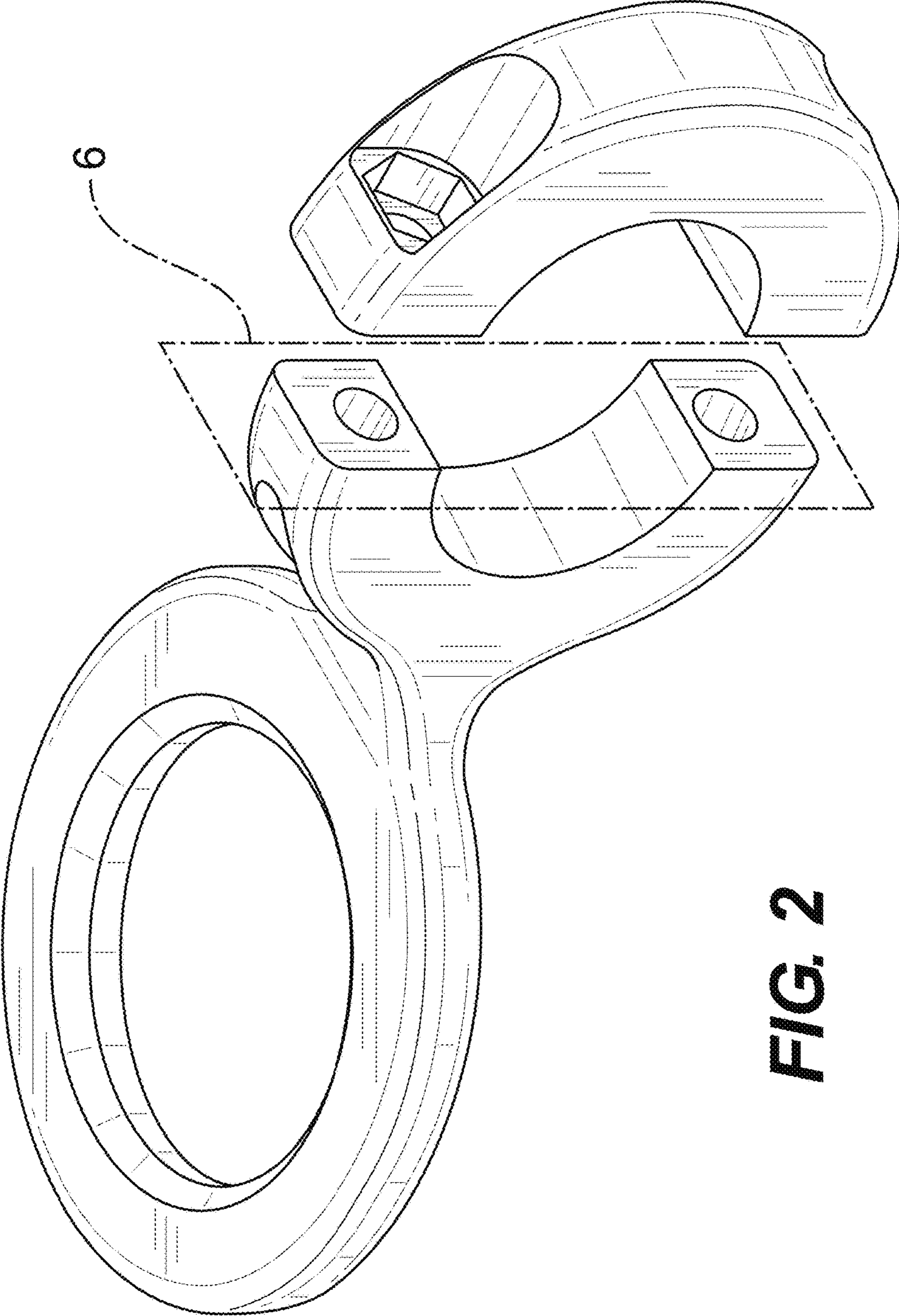


FIG. 2

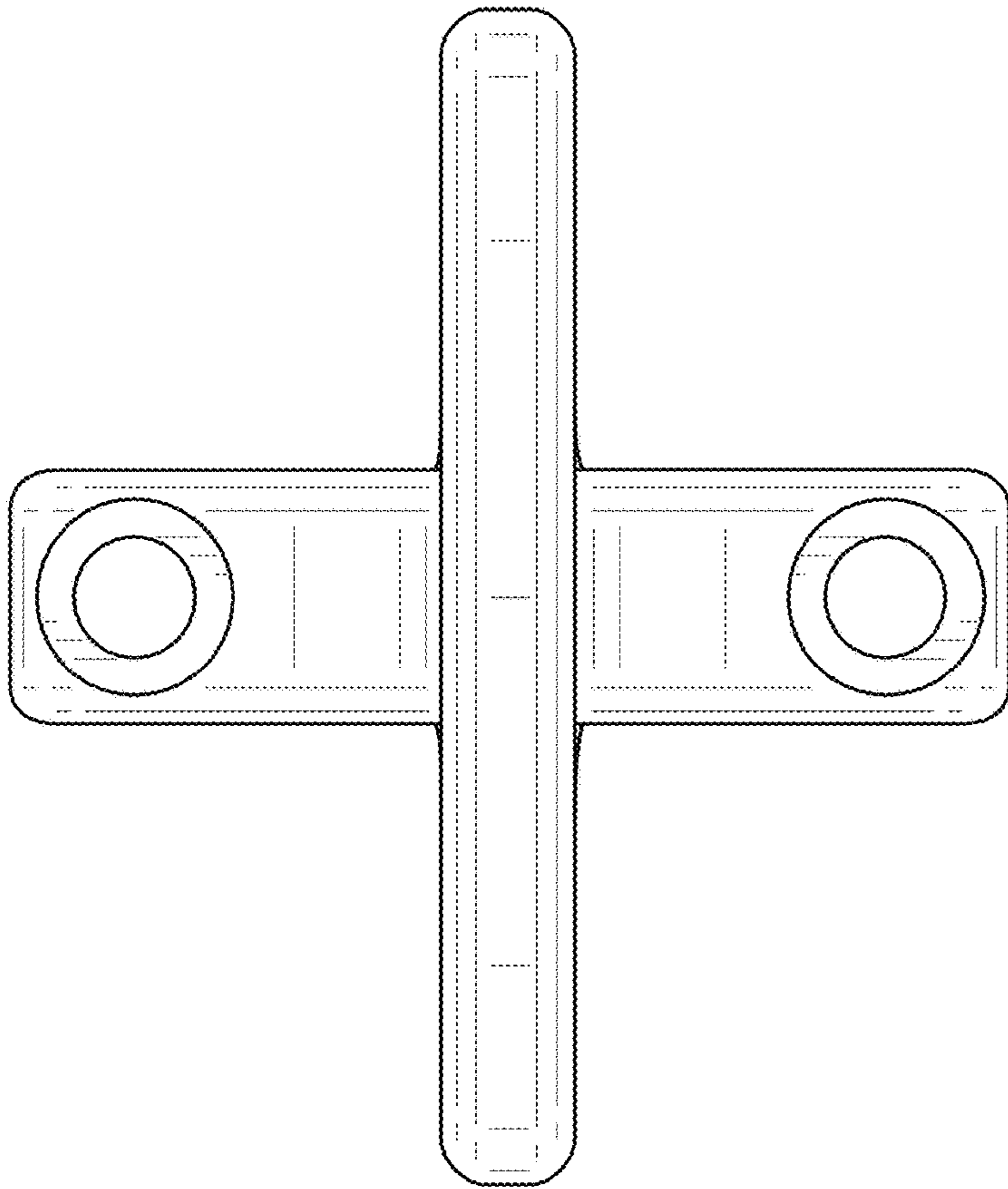


FIG. 3

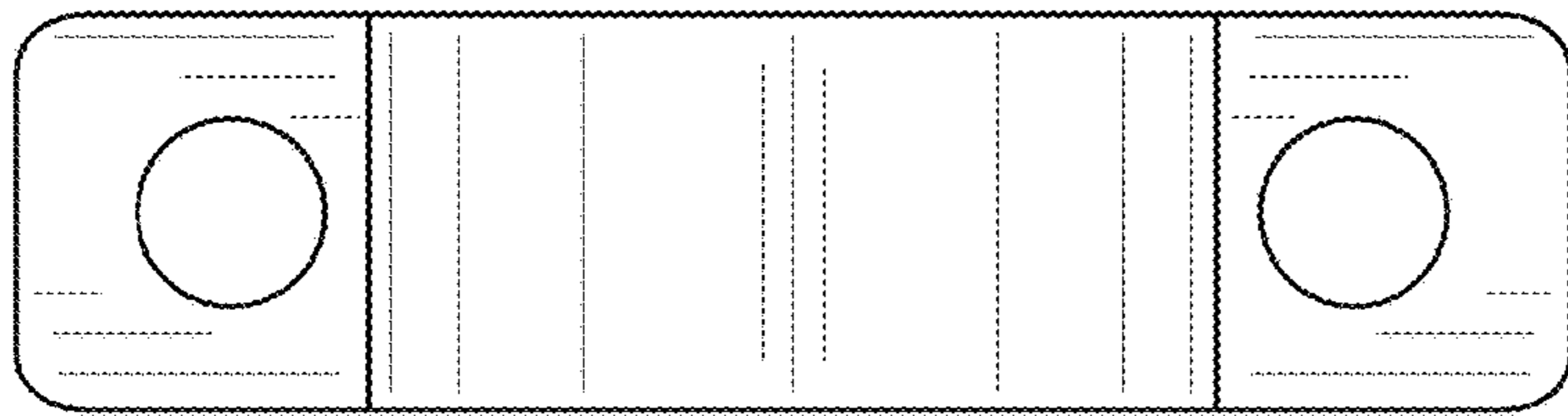


FIG. 4

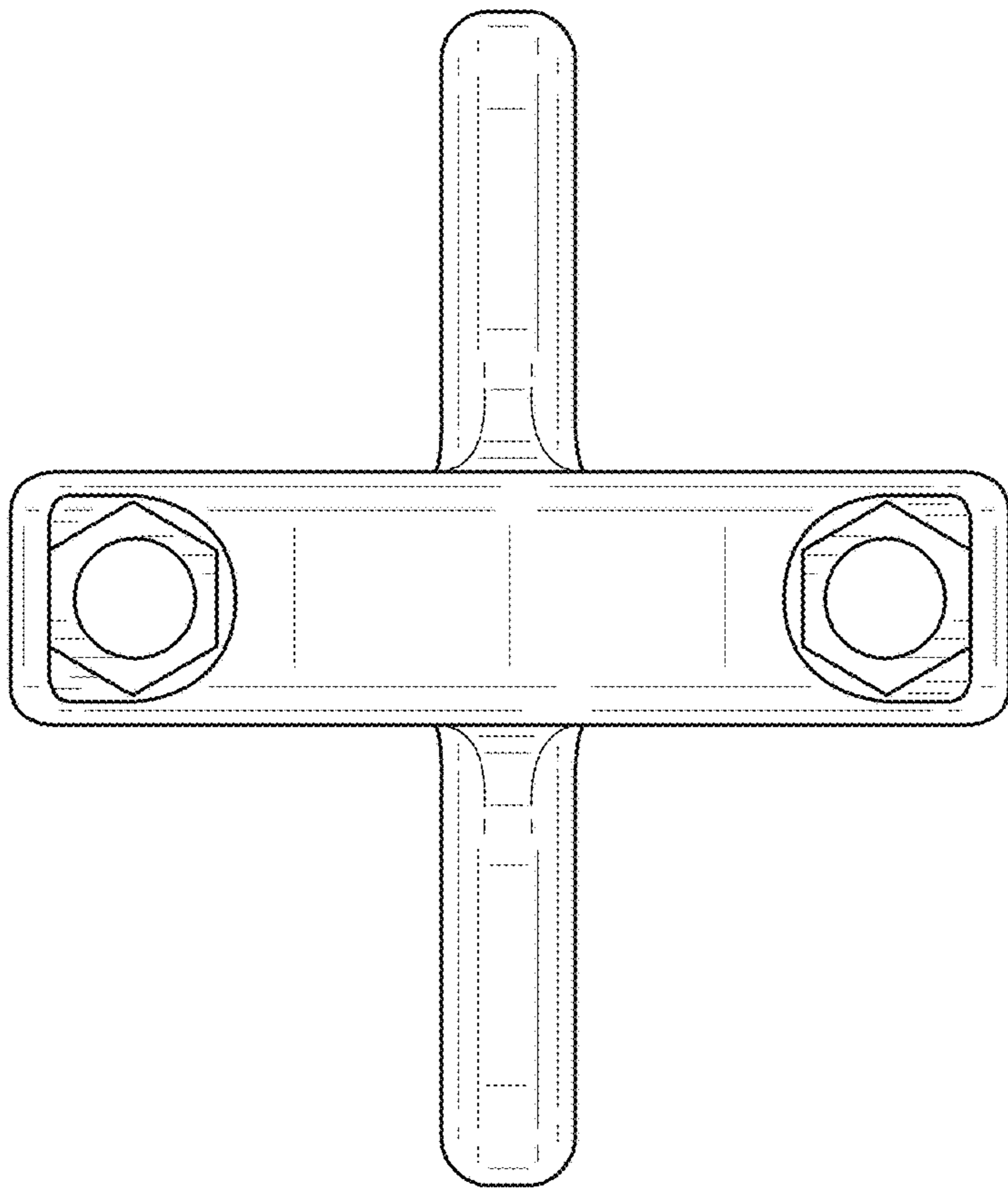


FIG. 5

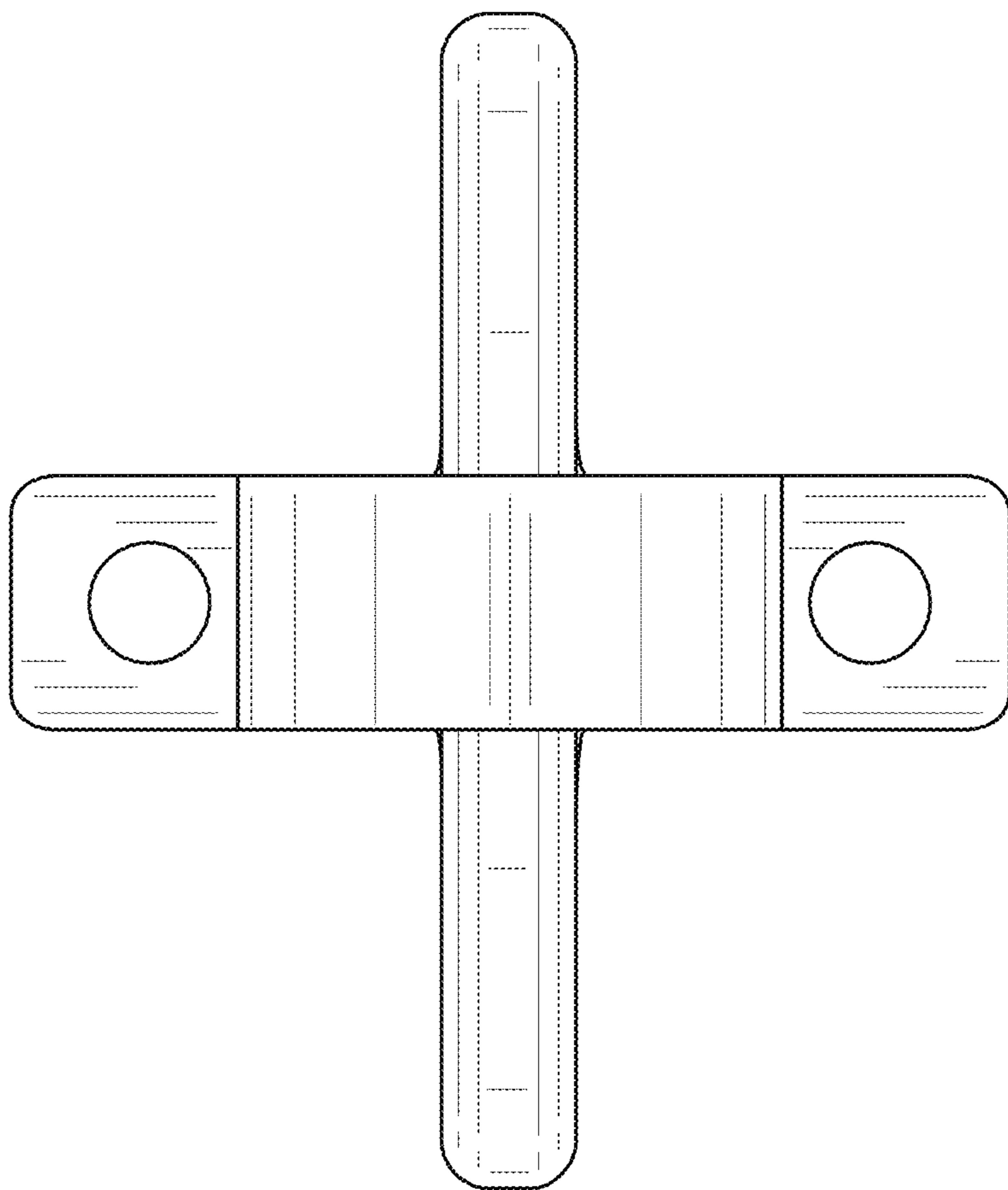


FIG. 6

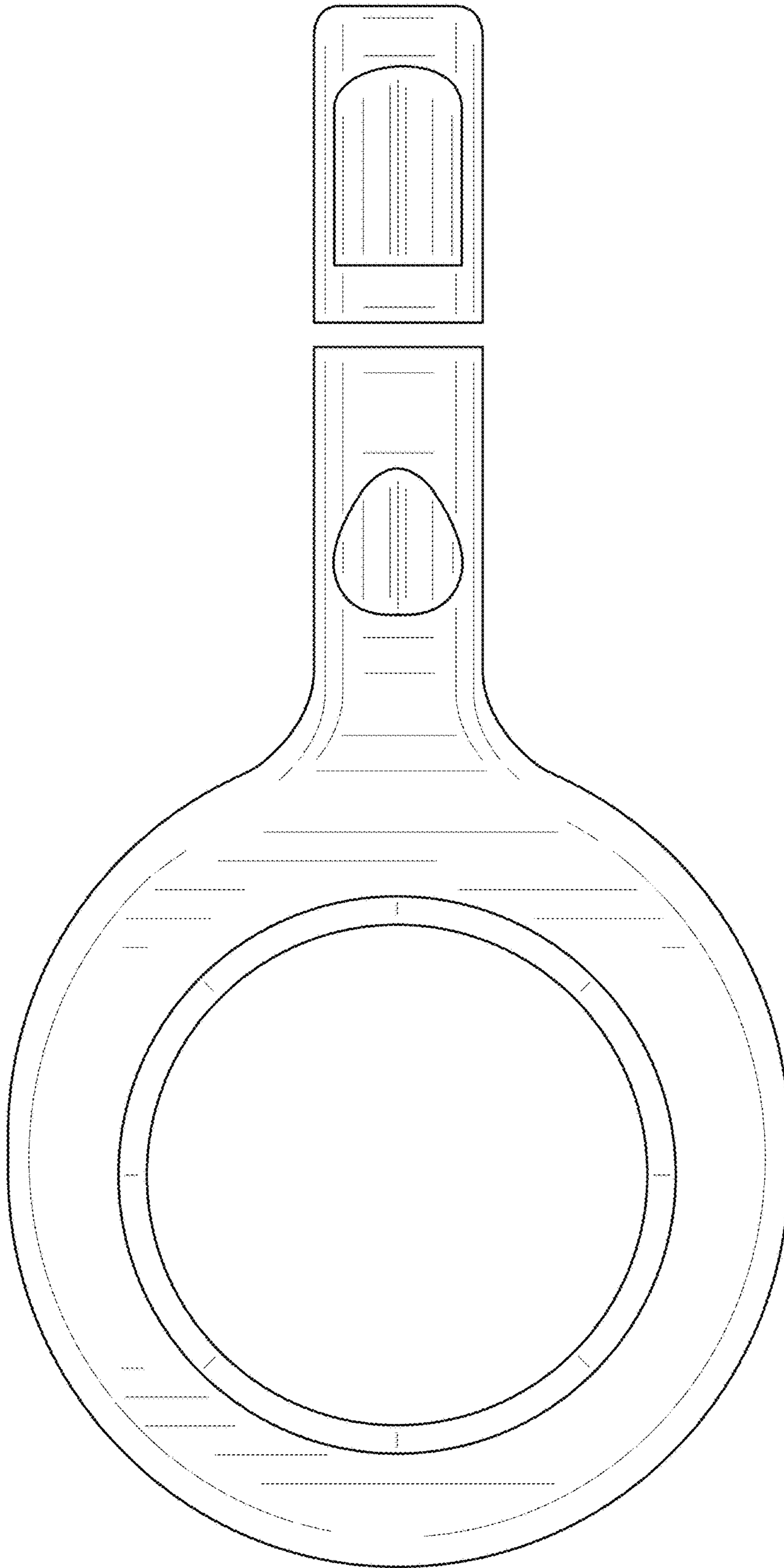


FIG. 7

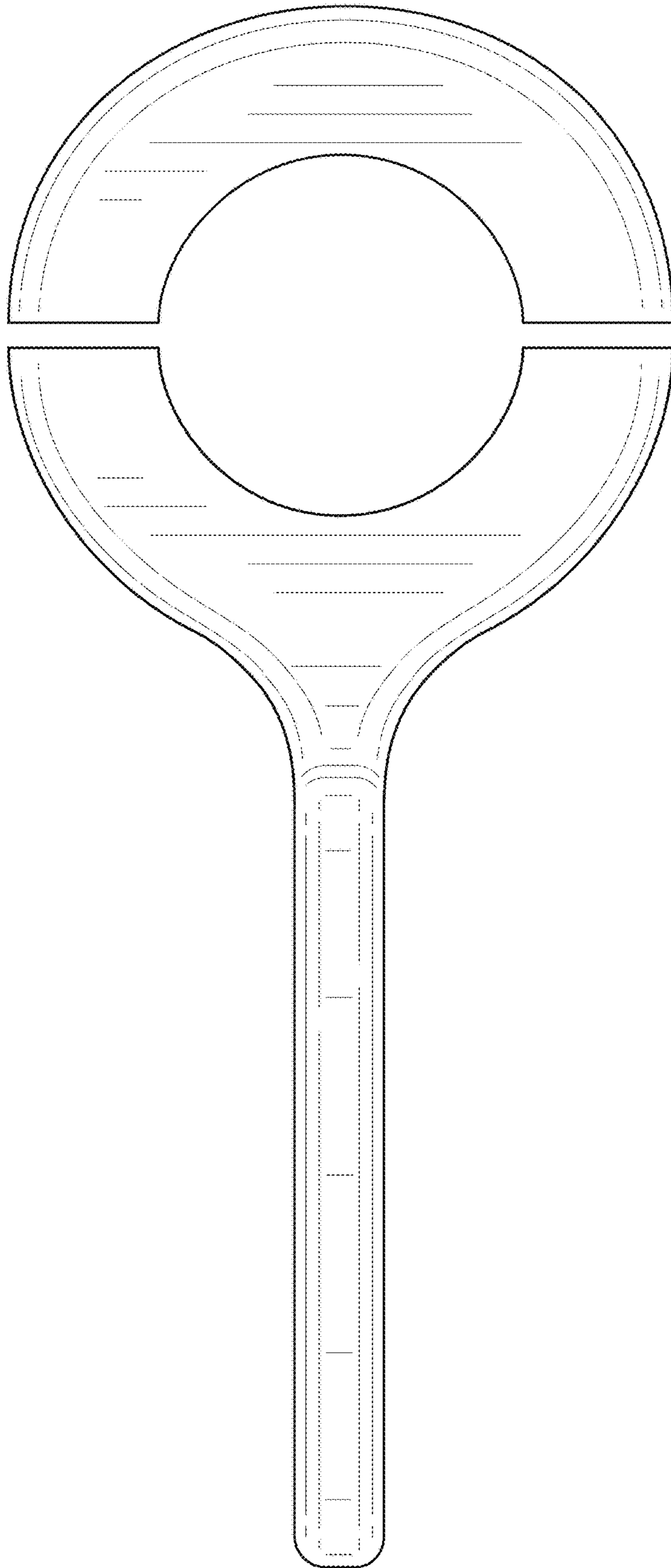


FIG. 8

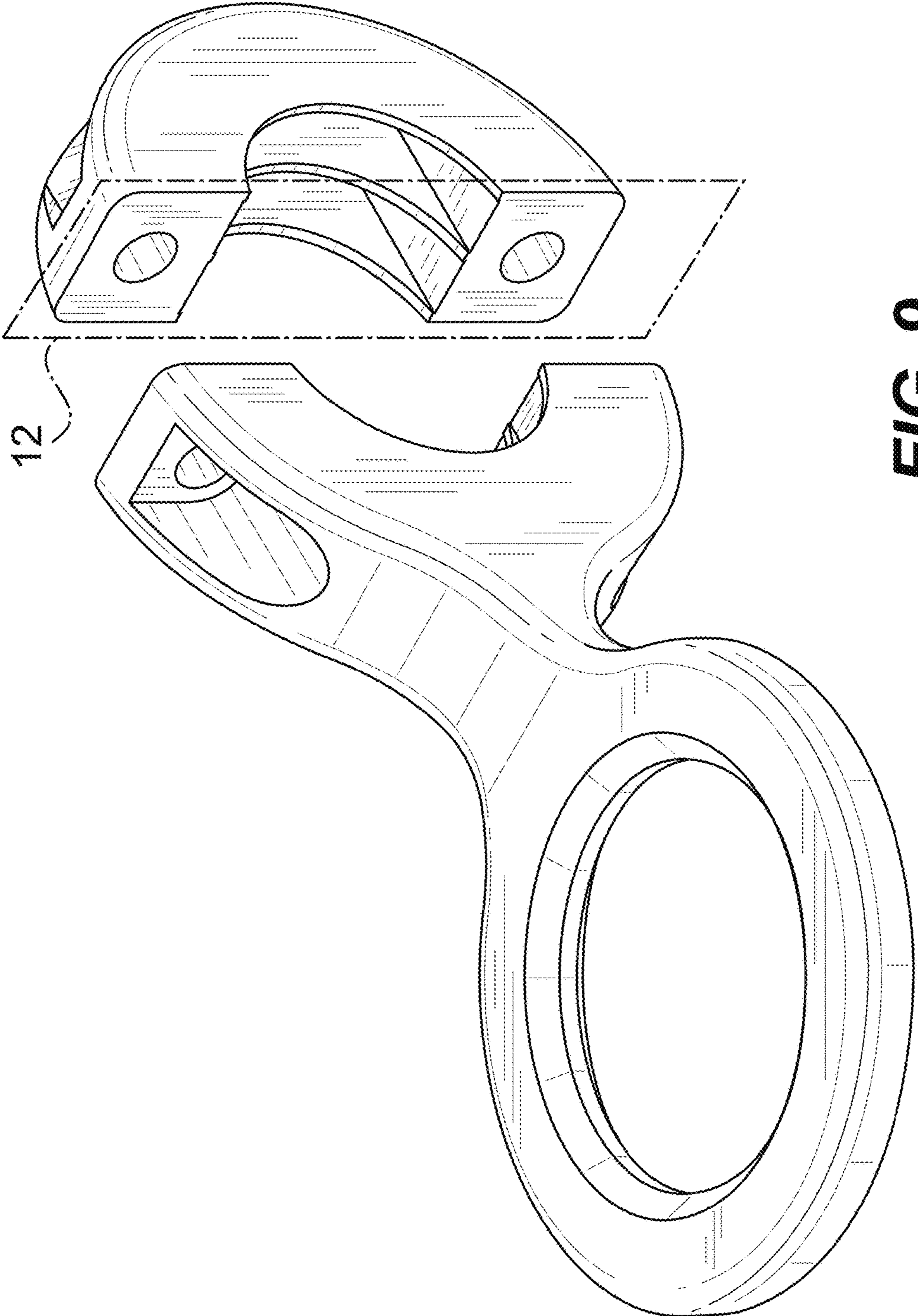


FIG. 9

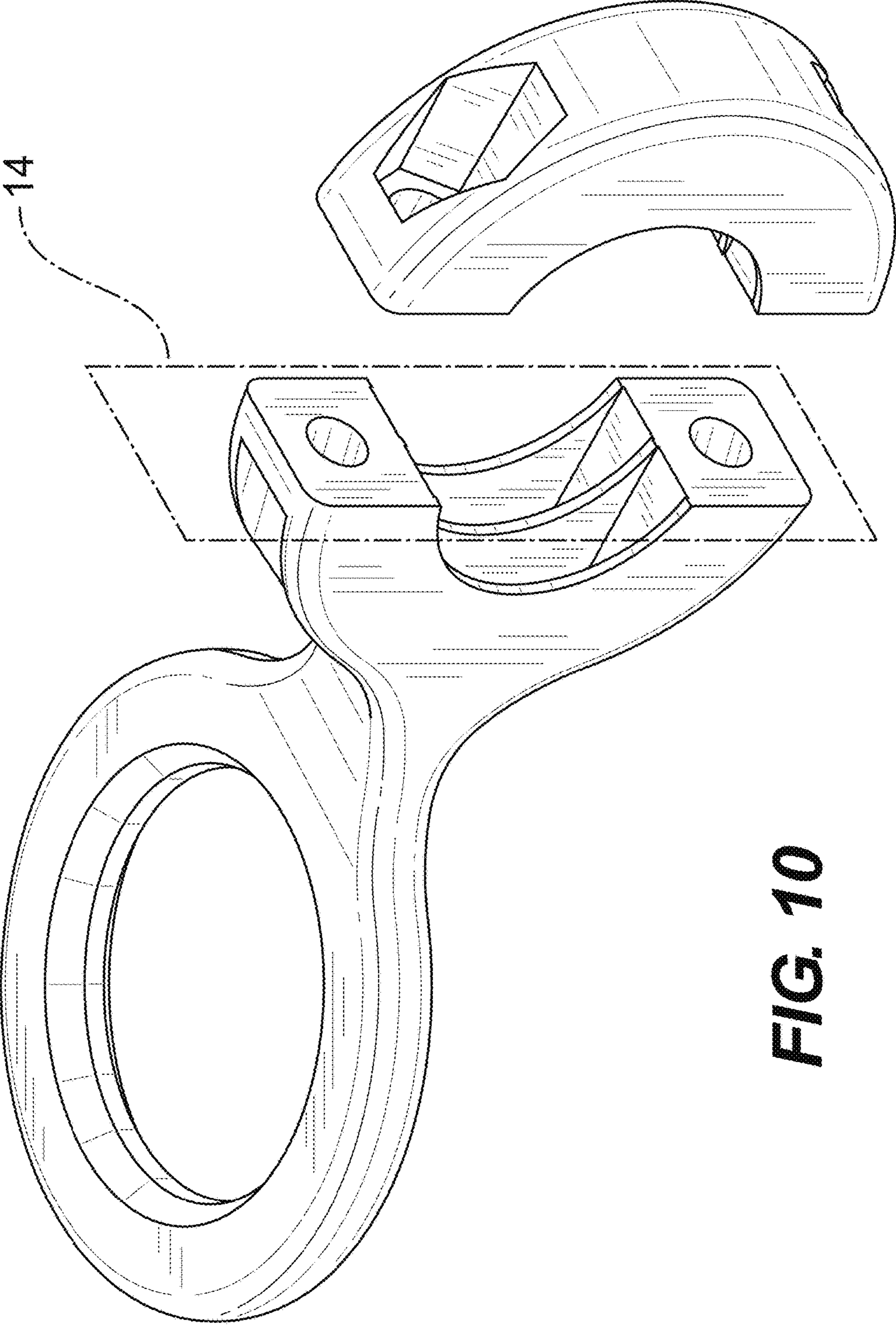


FIG. 10

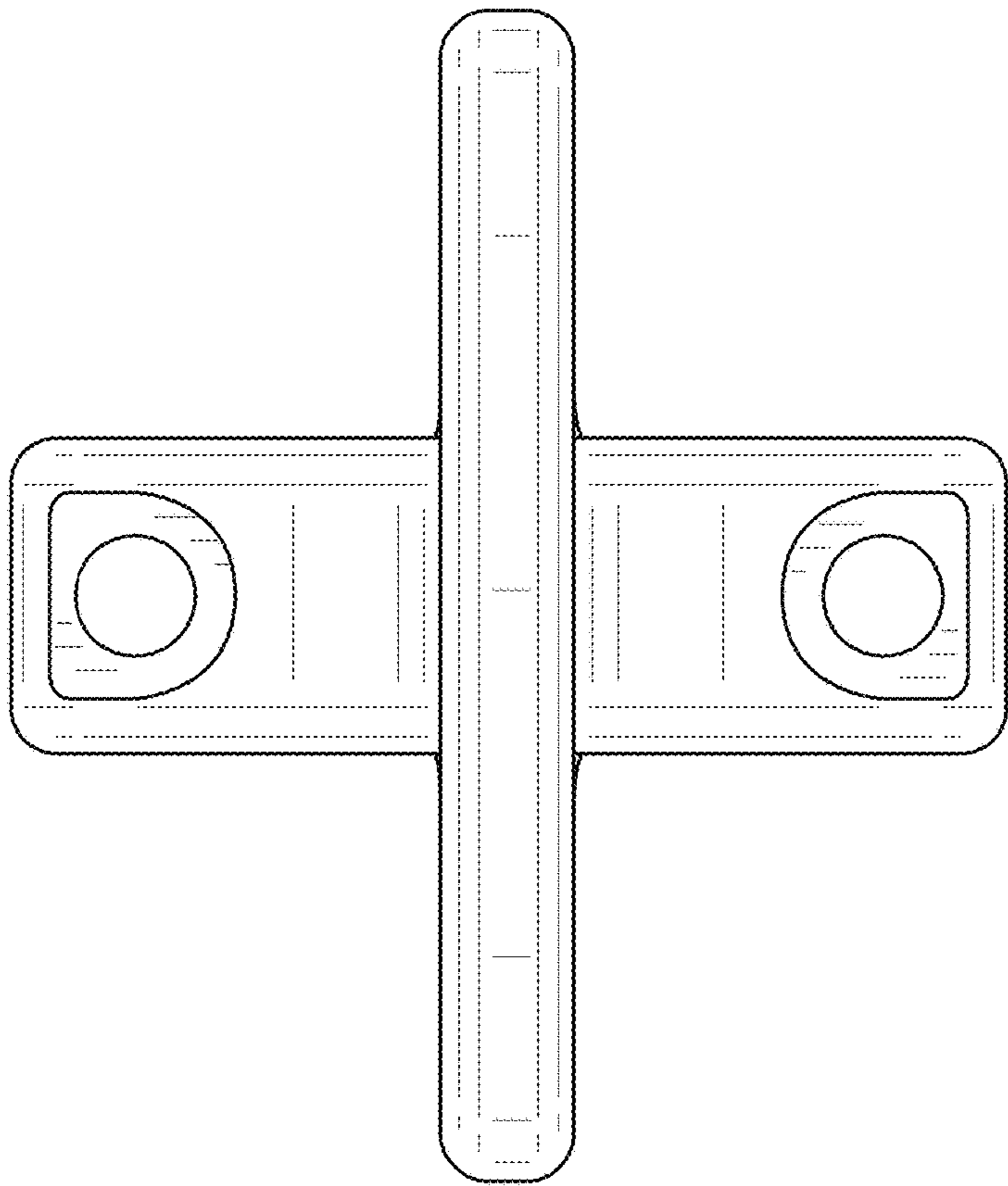


FIG. 11

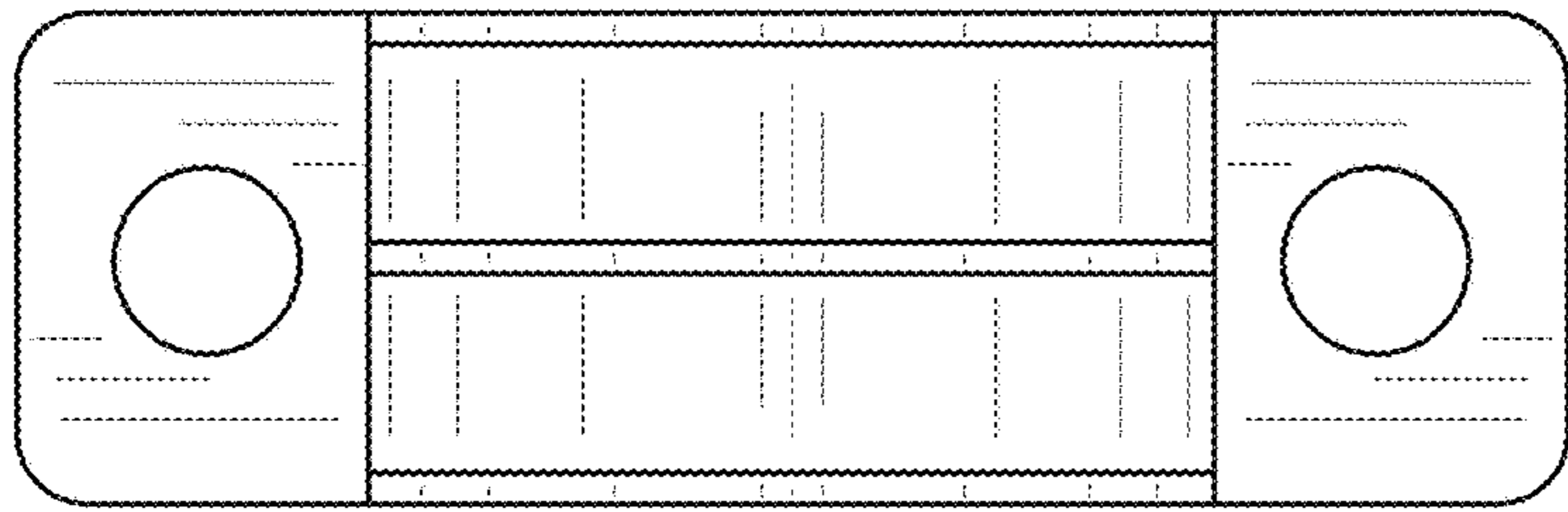


FIG. 12

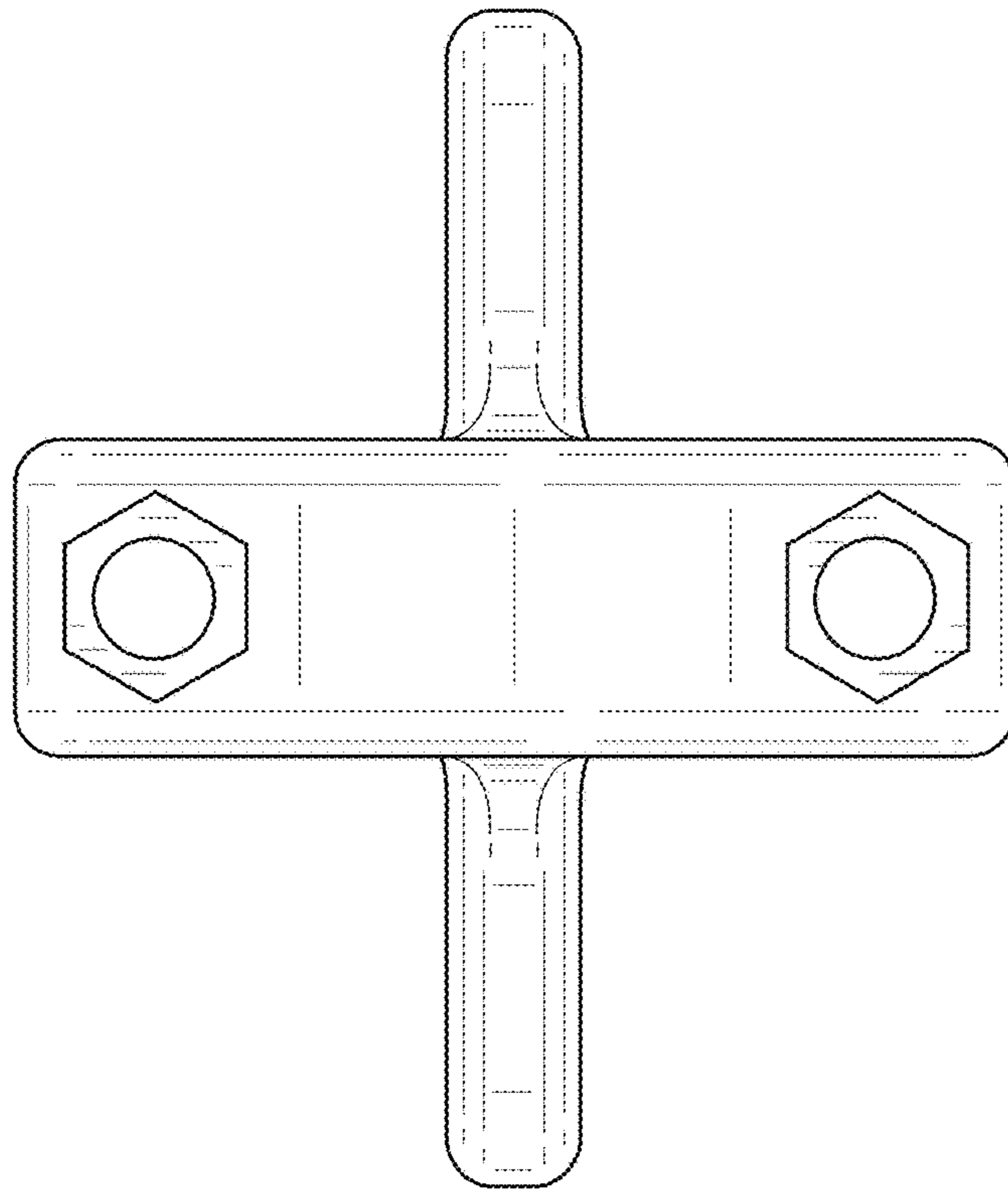


FIG. 13

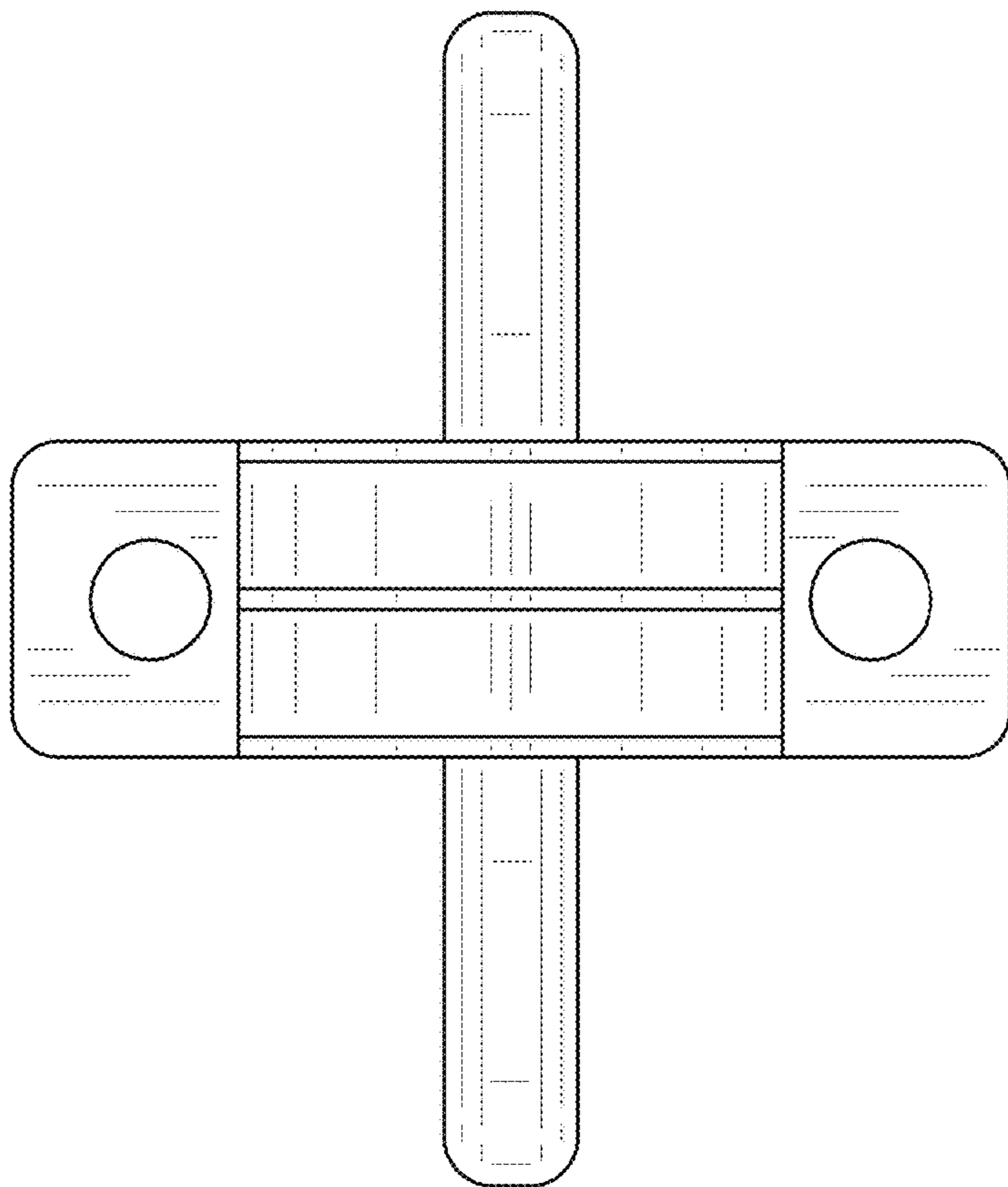


FIG. 14

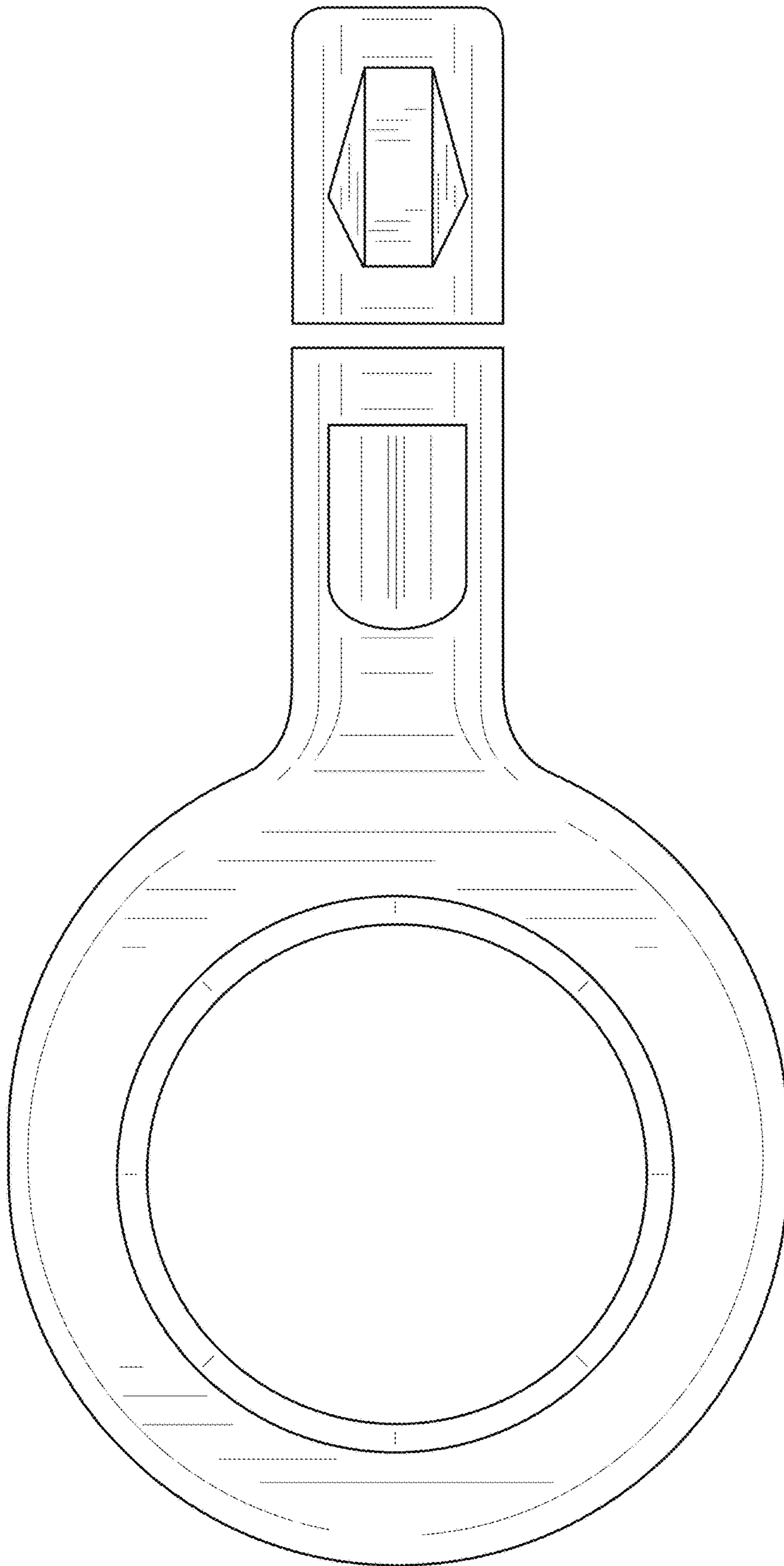


FIG. 15

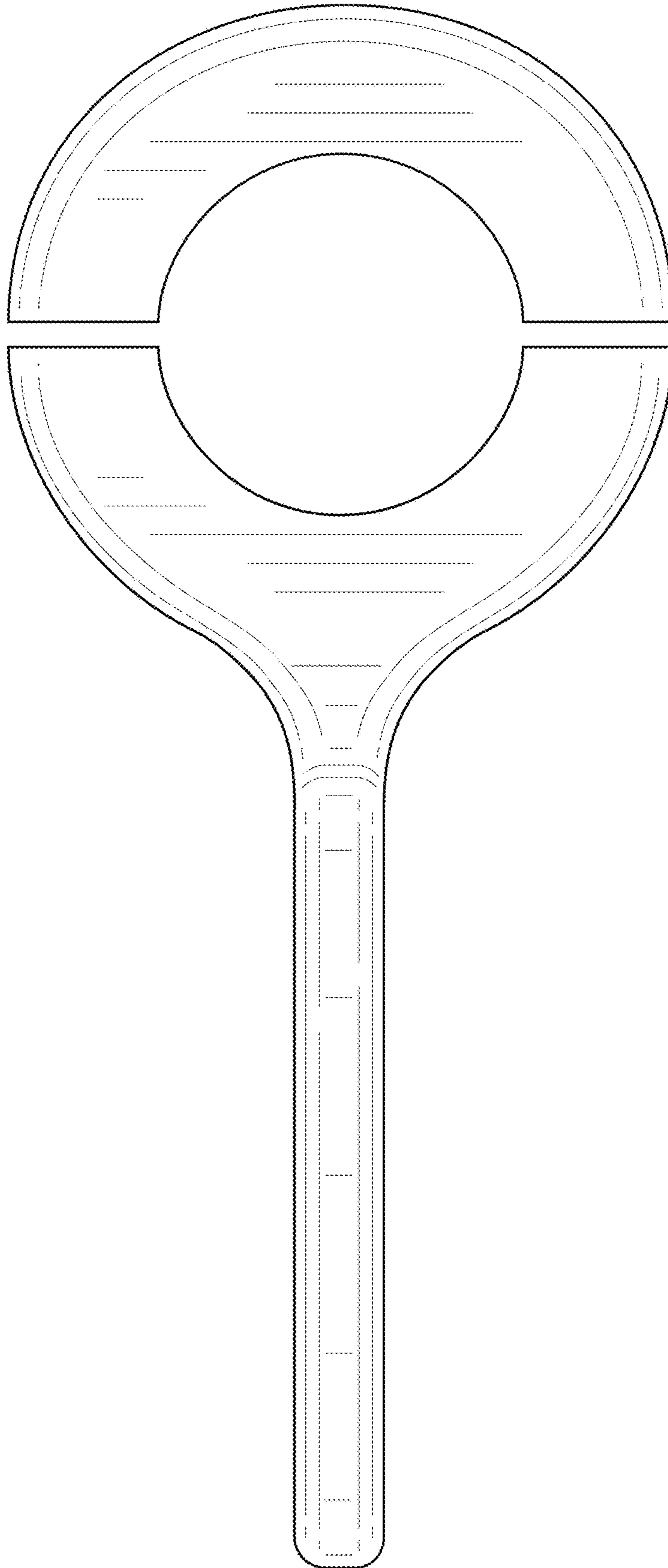


FIG. 16