



US00D797521S

(12) **United States Design Patent**
Kellow, Jr.

(10) **Patent No.:** **US D797,521 S**

(45) **Date of Patent:** **** Sep. 19, 2017**

(54) **HOLDER**

(71) Applicant: **Bethrick, Inc.**, Slinger, WI (US)

(72) Inventor: **Richard Alan Kellow, Jr.**, Slinger, WI (US)

(73) Assignee: **Bethrick, Inc.**, Slinger, WI (US)

(**) Term: **15 Years**

(21) Appl. No.: **29/543,726**

(22) Filed: **Oct. 27, 2015**

(51) **LOC (10) Cl.** **07-06**

(52) **U.S. Cl.**
USPC **D7/619.1**

(58) **Field of Classification Search**
USPC D7/601, 602, 619.1, 620, 701, 708.1;
D3/202, 229; D12/419, 420; 220/737;
228/309.1, 310, 311.2, 313; 297/188.14,
297/188.18
CPC A47B 55/00; A47B 55/02; A47B 73/00;
A47B 73/002; A47B 73/004; A47B
73/006; A47B 73/008; A47B 69/00;
A47G 23/0266; B65D 81/18; B65D
81/3876; B65D 81/3886
See application file for complete search history.

(56) **References Cited**

U.S. PATENT DOCUMENTS

- D448,978 S * 10/2001 Isbell D7/619.1
- D515,877 S * 2/2006 Czepowicz D7/619.1
- D515,878 S * 2/2006 Czepowicz D7/619.1
- D625,885 S * 10/2010 Bianchi D30/129
- D669,741 S * 10/2012 Shaw D7/619.1
- D676,716 S * 2/2013 Lalo D7/619.1
- D679,552 S * 4/2013 Housley D7/619.1
- D679,553 S * 4/2013 Williams D7/619.1
- D685,619 S * 7/2013 Sundaram D6/534

- D700,752 S * 3/2014 Gilkey D30/129
- D705,013 S * 5/2014 Audibert D7/620
- D726,981 S * 4/2015 Yessin D32/25

OTHER PUBLICATIONS

Turtlebacks, Screenshot of Product Collections, retrieved from the Internet on May 29, 2015 at: <http://turtlebacks.com/collections/all> (2 pages).

* cited by examiner

Primary Examiner — Keli L Hill

(74) *Attorney, Agent, or Firm* — Foley & Lardner LLP

(57) **CLAIM**

I claim the ornamental design for a holder, as shown and described.

DESCRIPTION

FIG. 1 is a top, front, left perspective view of the claimed design;

FIG. 2 is a front view of the claimed design of FIG. 1;

FIG. 3 is a rear view of the claimed design of FIG. 1;

FIG. 4 is a left view of the claimed design of FIG. 1;

FIG. 5 is a right view of the claimed design of FIG. 1;

FIG. 6 is a top view of the claimed design of FIG. 1;

FIG. 7 is a bottom view of the claimed design of FIG. 1;

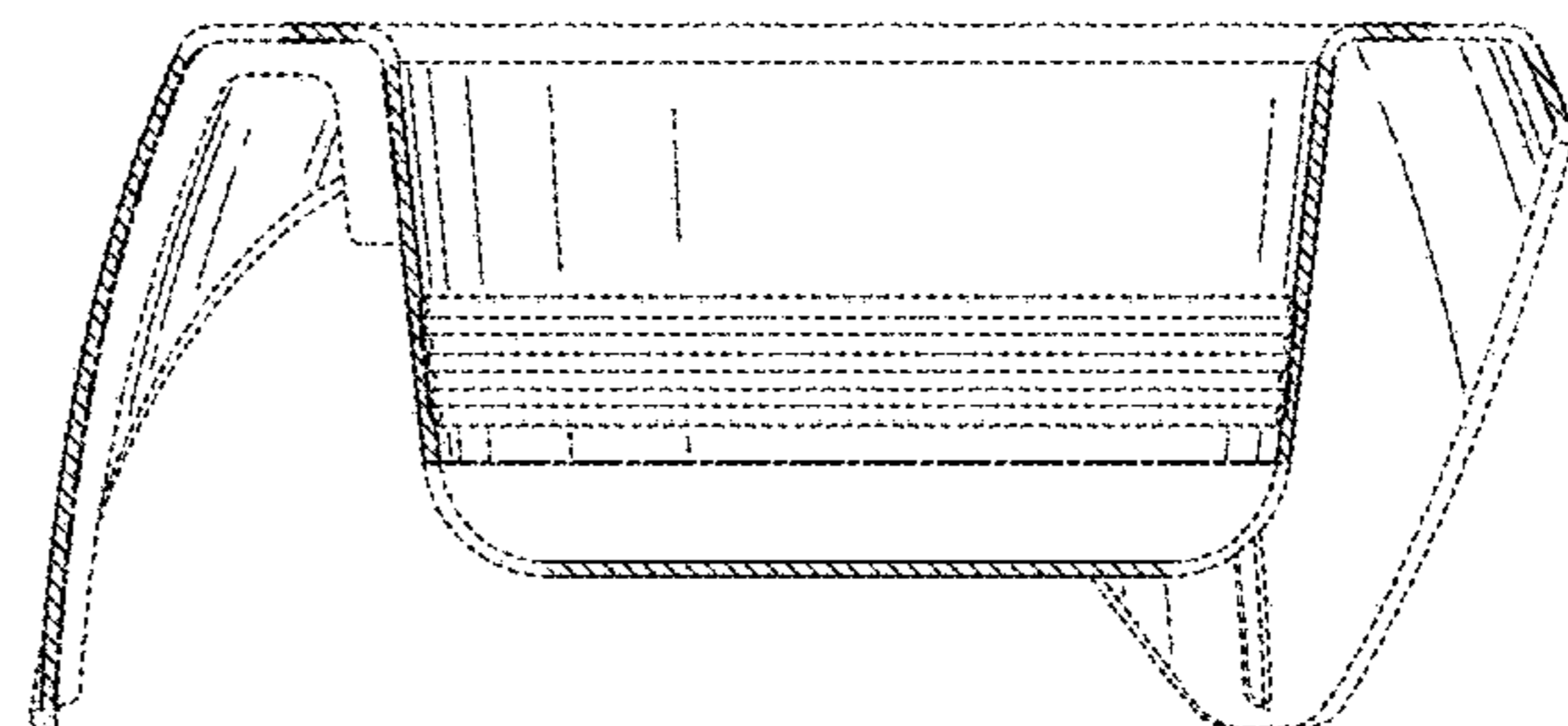
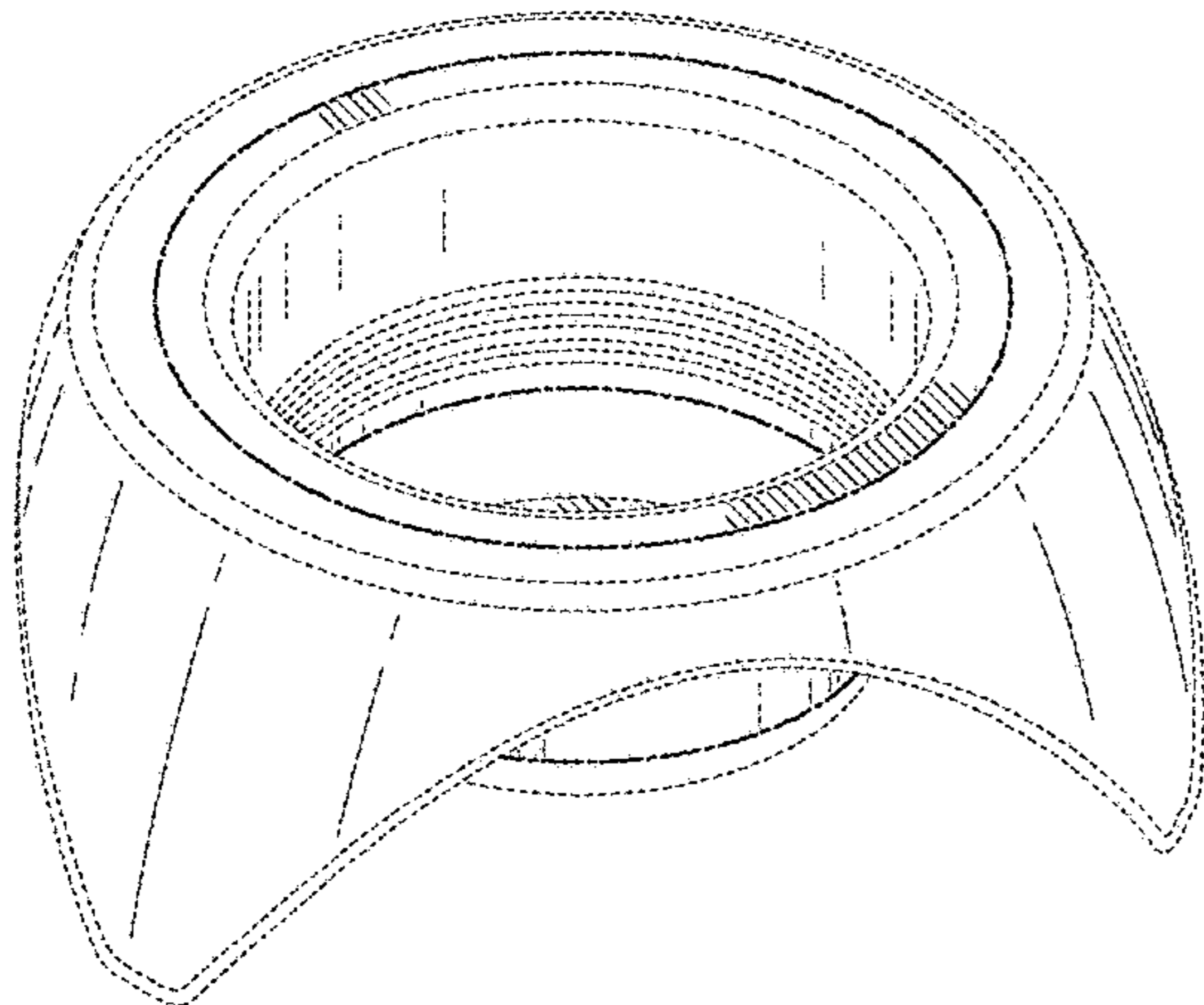
FIG. 8 is a section view of the claimed design along line 8-8 of FIG. 6;

FIG. 9 is a section view of the claimed design along line 9-9 of FIG. 6; and,

FIG. 10 is a section view of the claimed design along line 10-10 of FIG. 6.

The broken lines immediately adjacent the shaded areas represent the bounds of the claimed design while all other broken lines are included for the purpose of illustrating portions of the holder; the broken lines form no part of the claimed design.

1 Claim, 10 Drawing Sheets



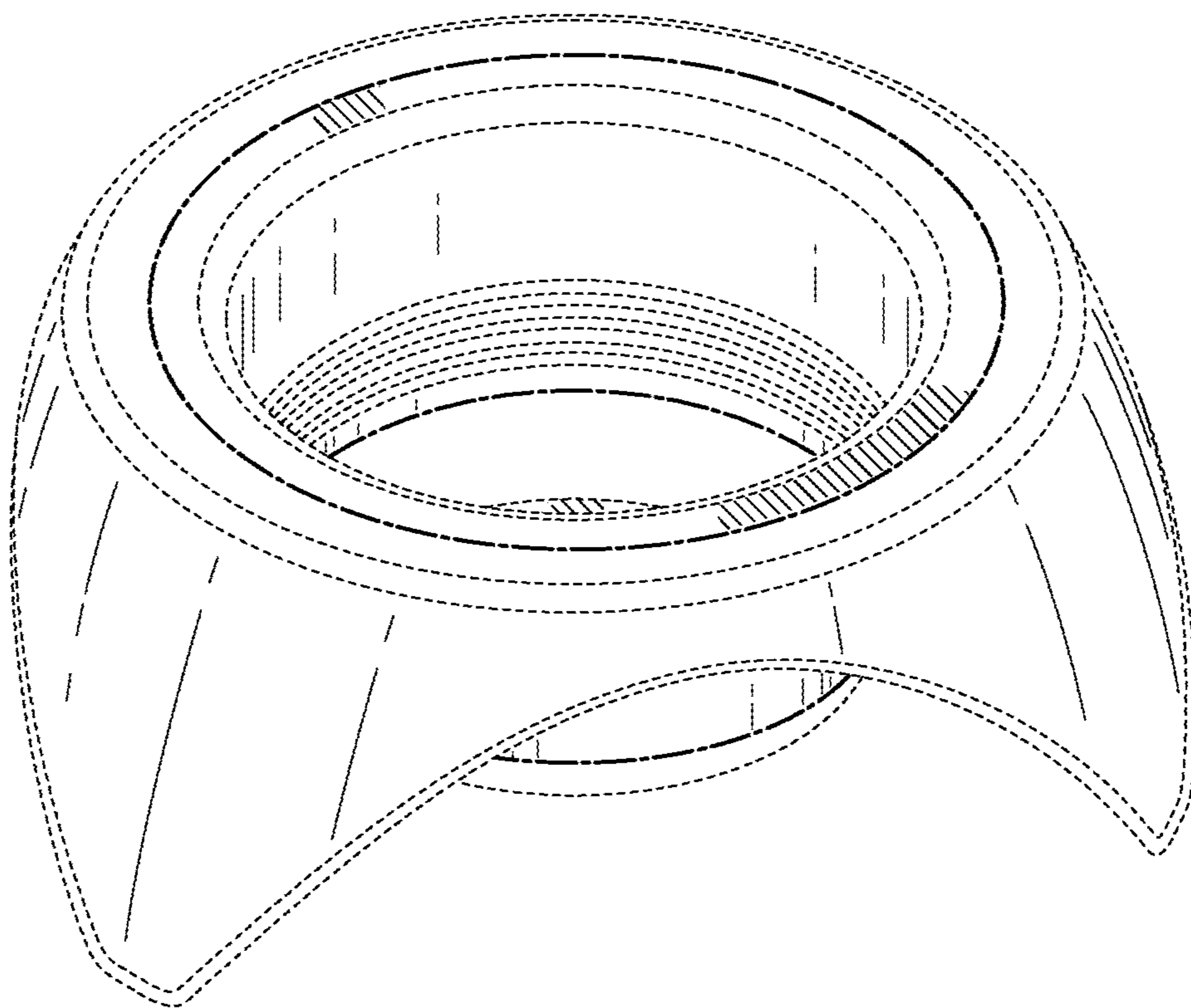


FIG. 1

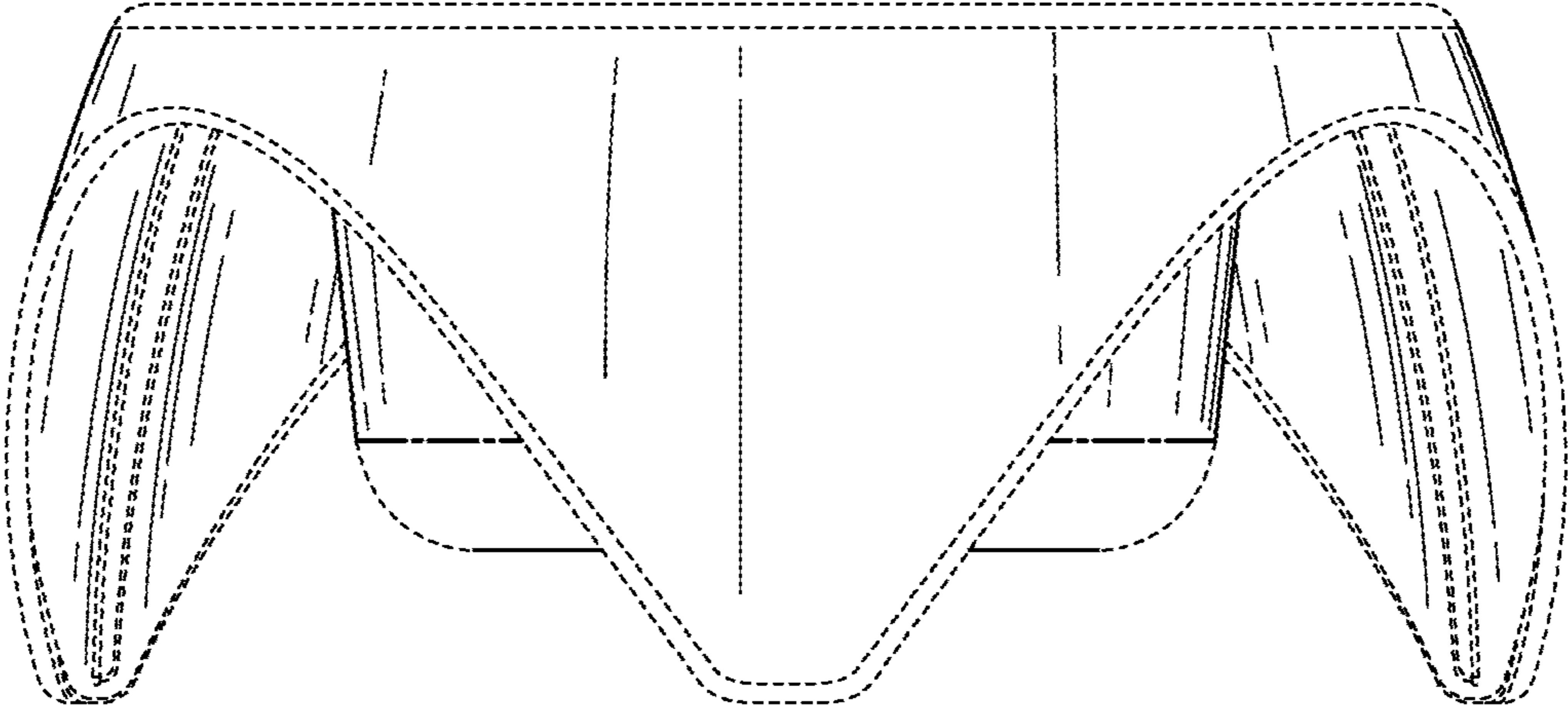


FIG. 2

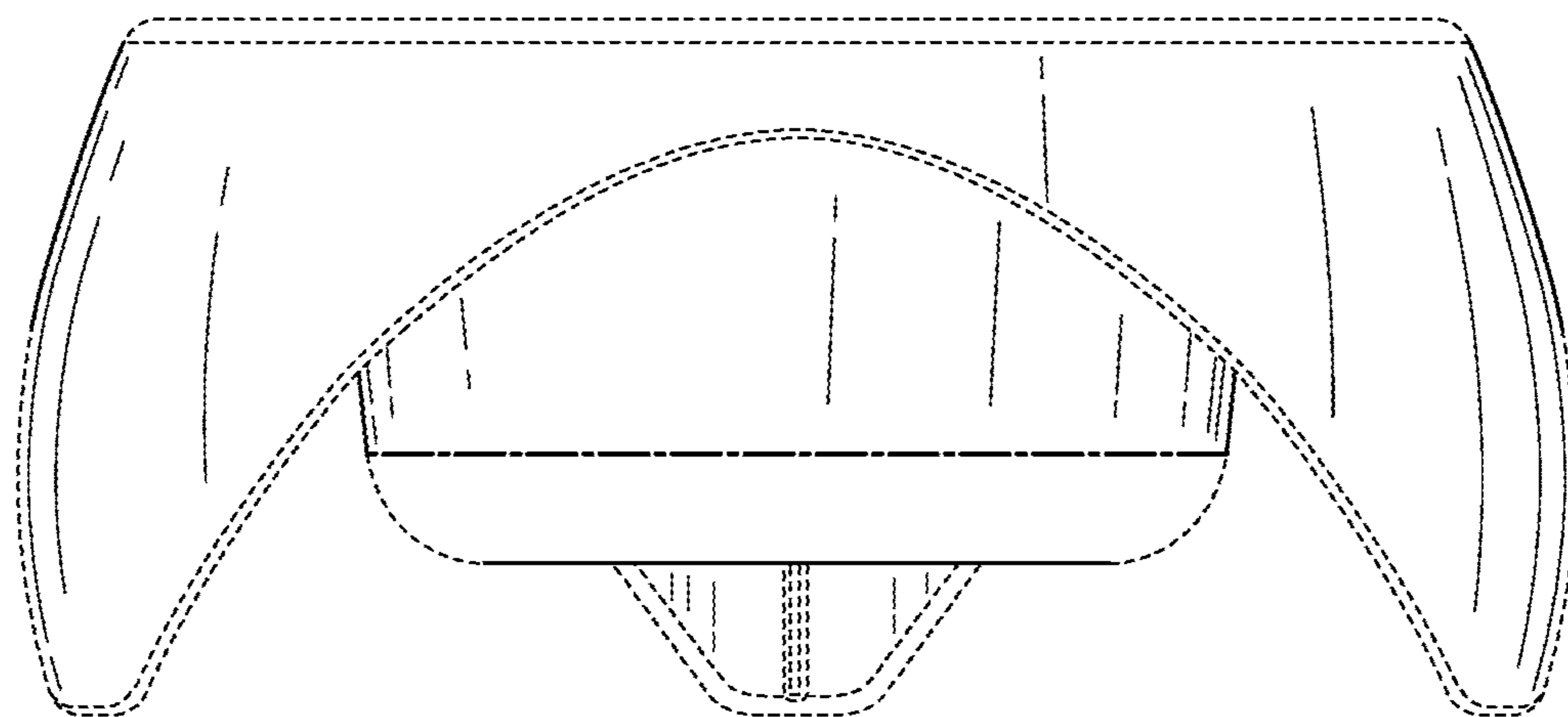


FIG. 3

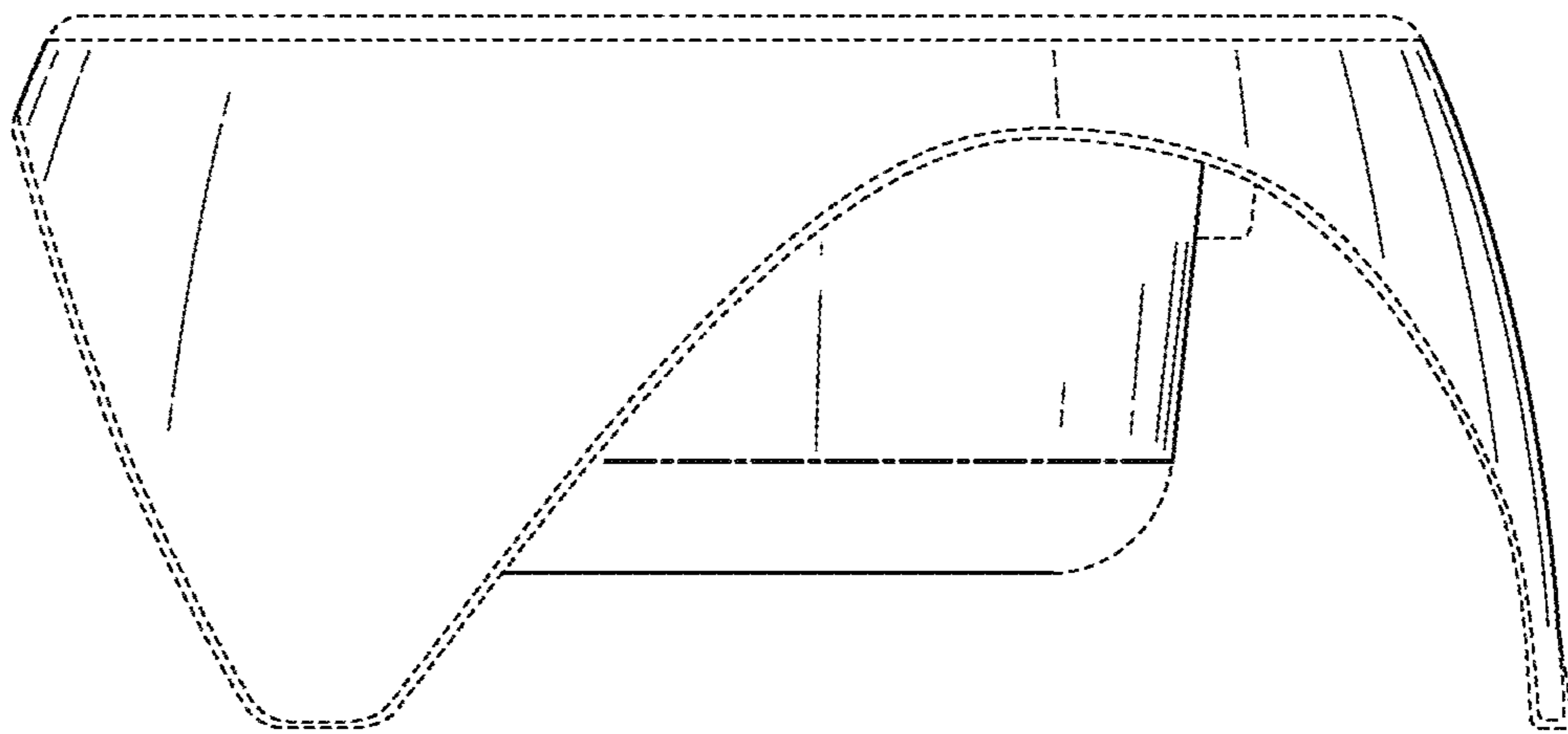


FIG. 4

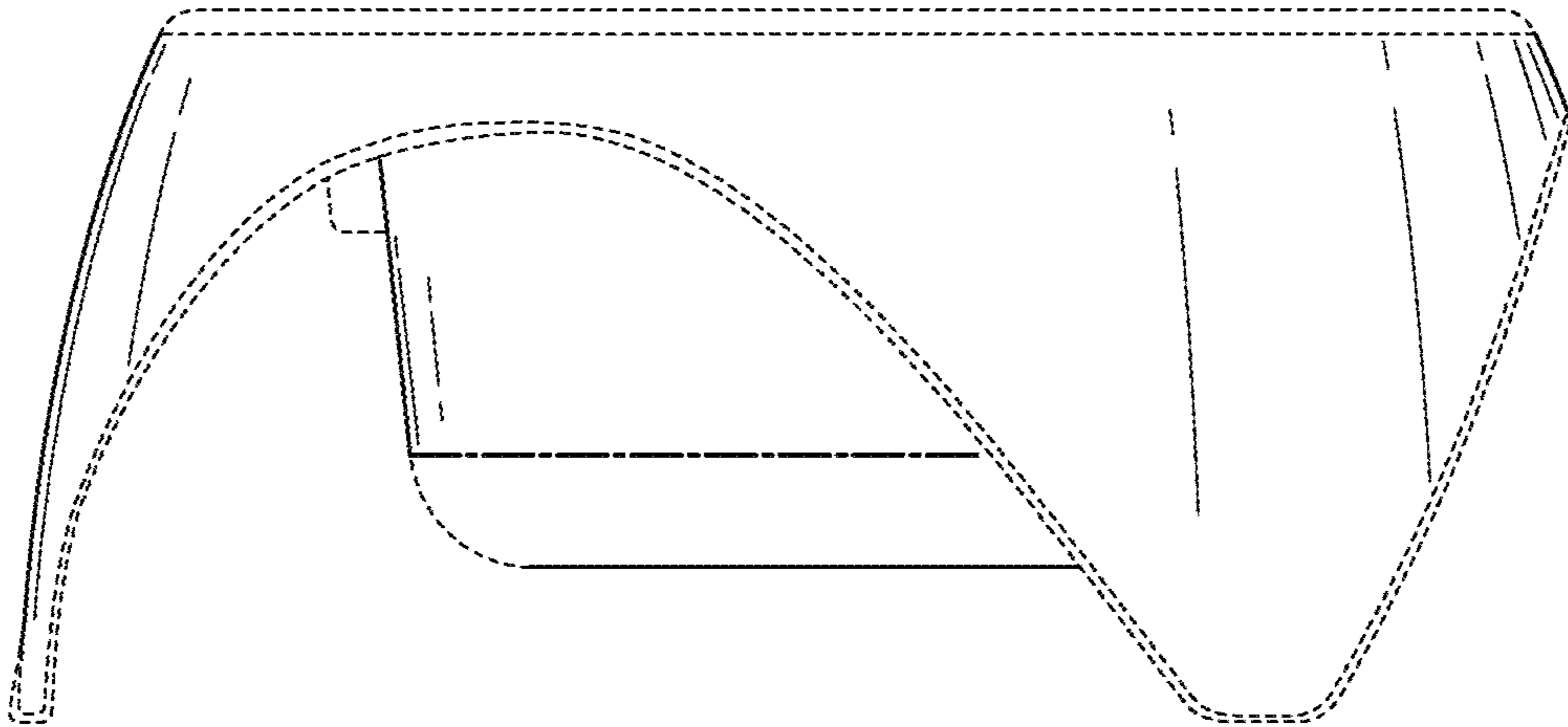


FIG. 5

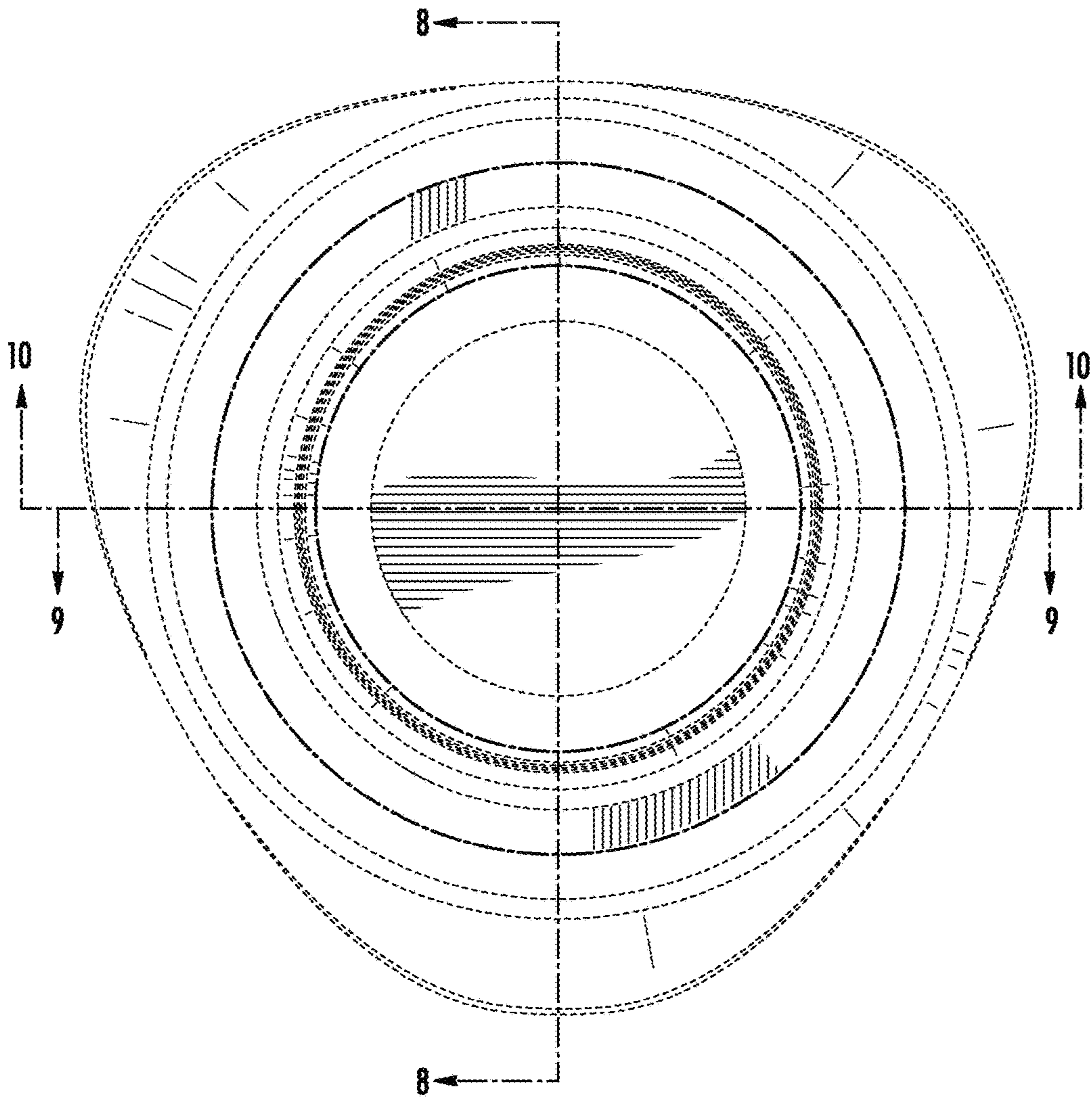


FIG. 6

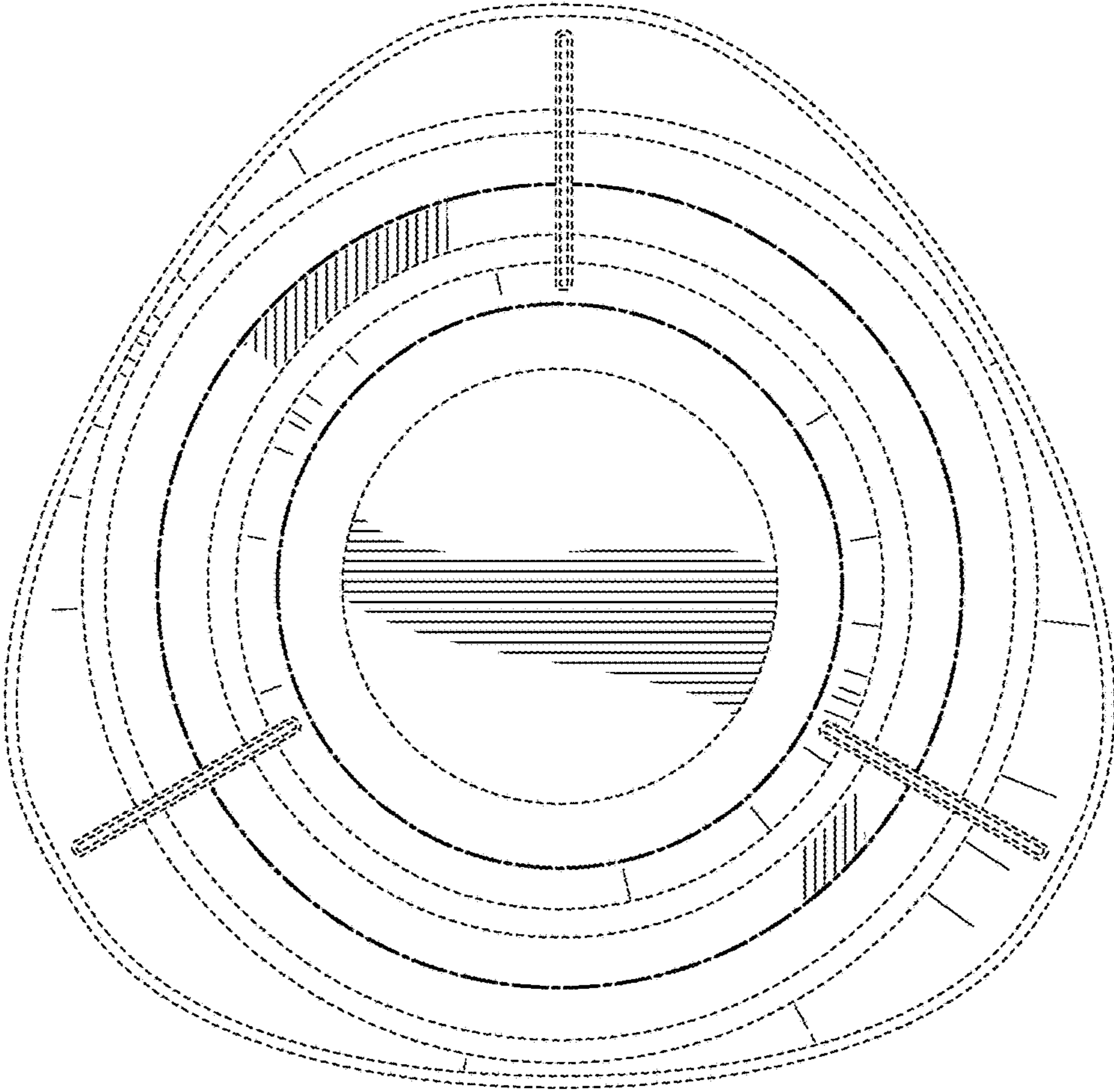


FIG. 7

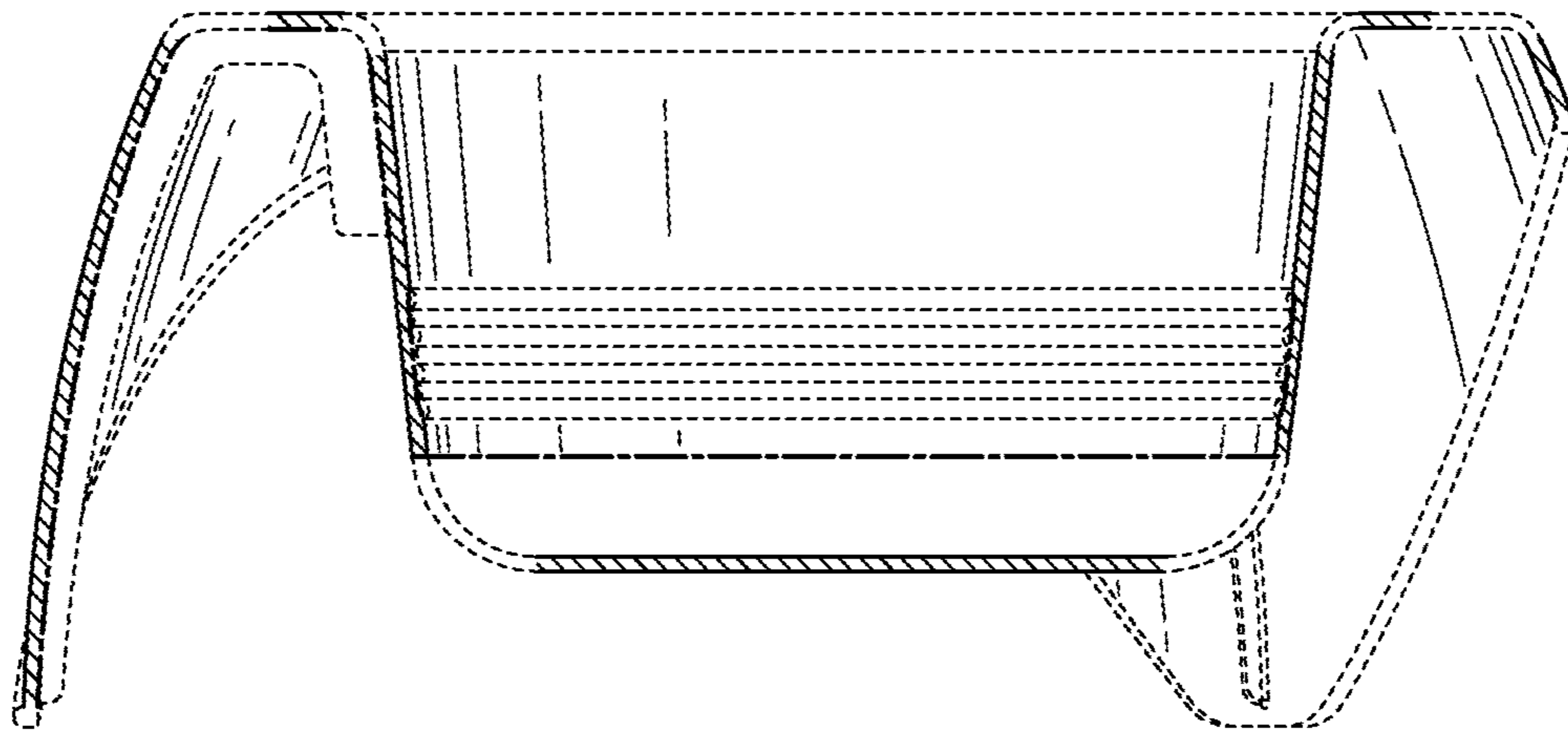


FIG. 8

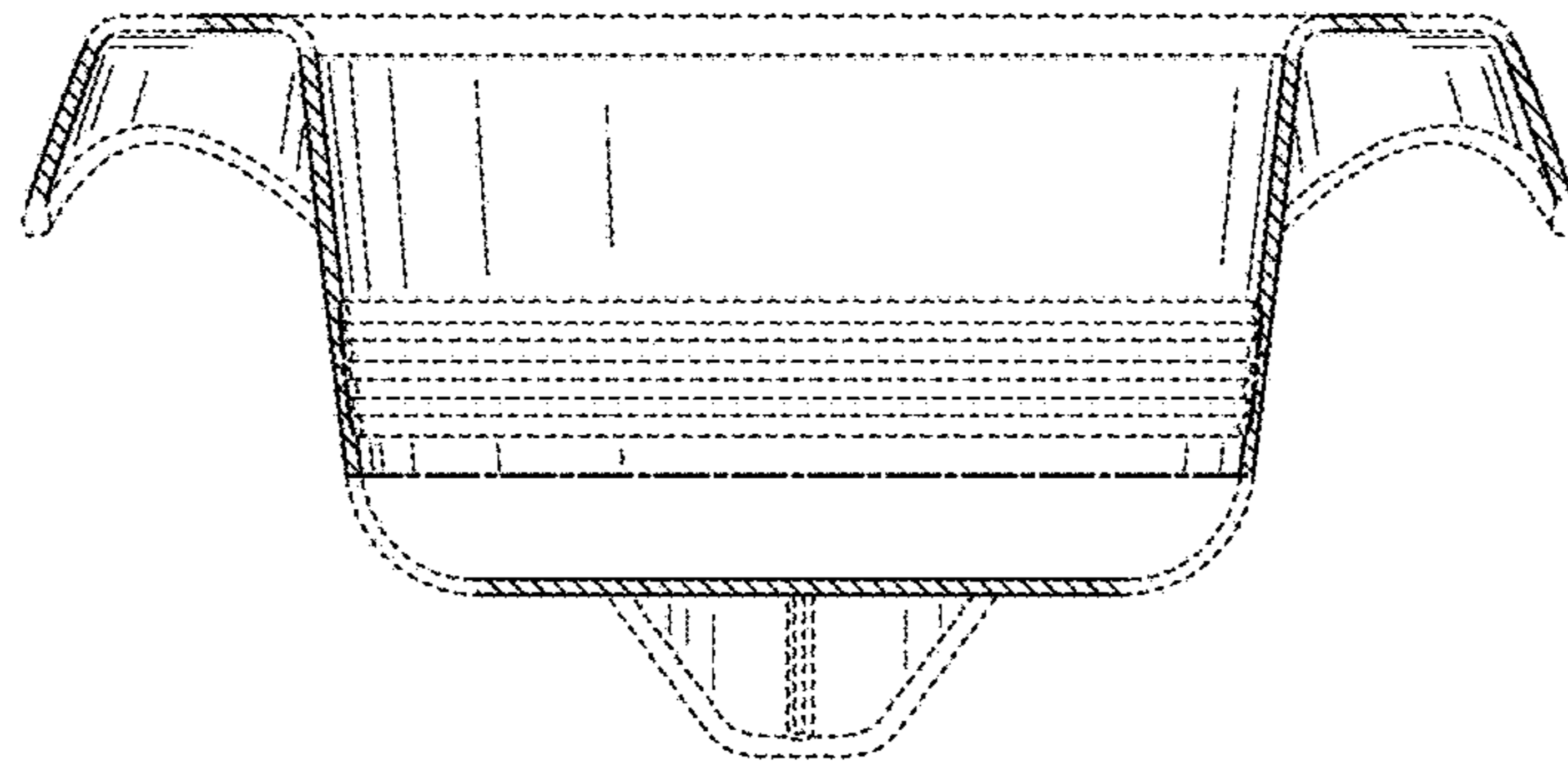


FIG. 9

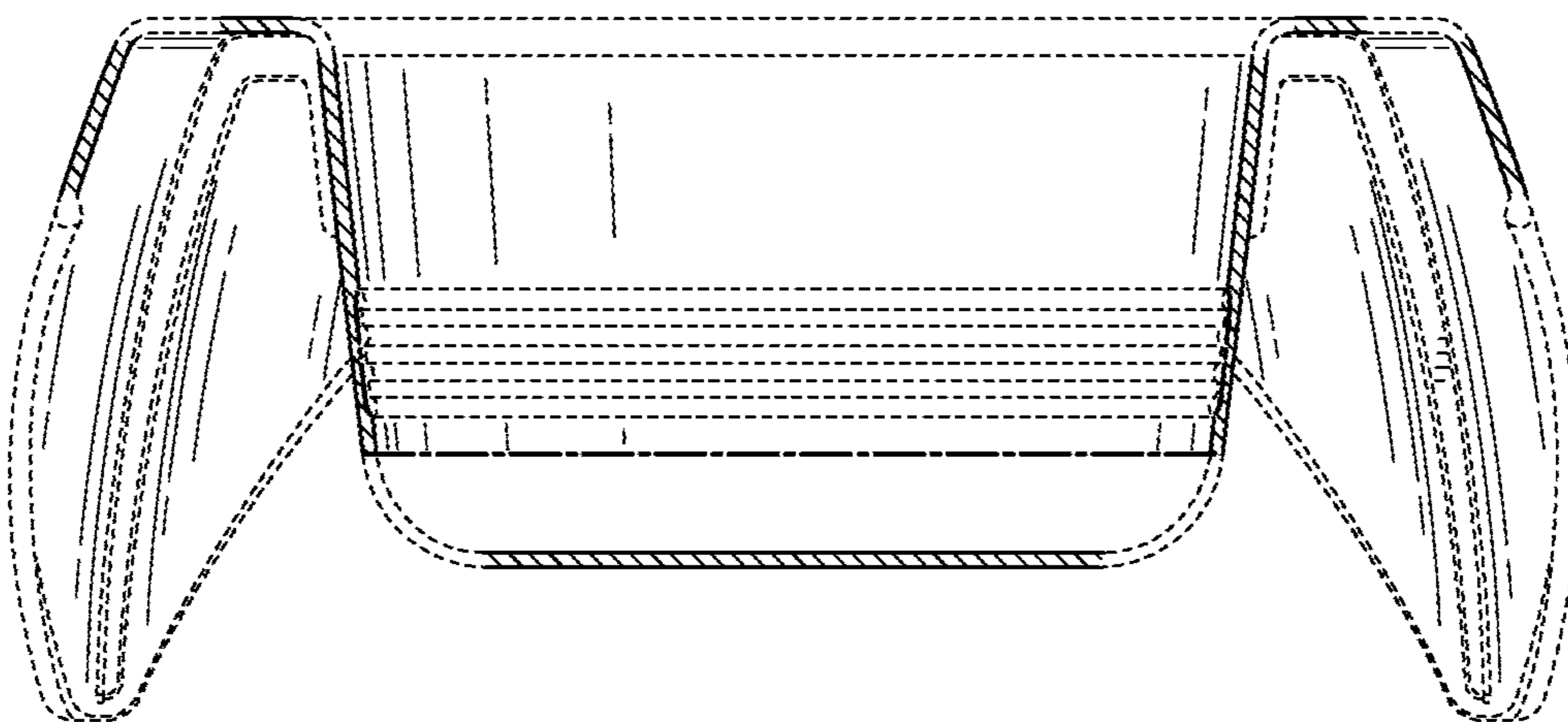


FIG. 10