



US00D797519S

(12) **United States Design Patent**
Devenny

(10) **Patent No.:** **US D797,519 S**

(45) **Date of Patent:** **** Sep. 19, 2017**

(54) **MULTI-COMPARTMENT COOLER**

(71) Applicant: **William Devenny**, Bradenton, FL (US)

(72) Inventor: **William Devenny**, Bradenton, FL (US)

(**) Term: **15 Years**

(21) Appl. No.: **29/573,823**

(22) Filed: **Aug. 10, 2016**

(51) **LOC (10) Cl.** **07-01**

(52) **U.S. Cl.**
USPC **D7/605**

(58) **Field of Classification Search**
USPC D7/605-608; D15/83; D3/294, 272, 273
CPC ... A45C 11/20; F25D 3/08; F25D 3/14; F25D
2331/804; B65D 81/3823; B65D 81/38;
A47J 41/022; A47G 19/2288; B62B
3/007; B62B 3/00; B62B 7/12; B62B
1/125; B62B 2202/404; B62B 5/067;
B62B 5/0083; B62B 1/12

See application file for complete search history.

(56) **References Cited**

U.S. PATENT DOCUMENTS

4,541,539	A	9/1985	Matthews	
4,759,467	A *	7/1988	Byrne	F25D 3/06 220/495.08
4,846,493	A *	7/1989	Mason	A45C 5/146 190/18 A
5,305,544	A *	4/1994	Testa, Jr.	A01K 97/05 206/315.11
D353,304	S *	12/1994	Friedrich	D7/605
5,373,708	A *	12/1994	Dumoulin, Jr.	A45C 5/146 280/30
D375,022	S *	10/1996	Smith	D7/605
D403,925	S *	1/1999	Moffett, III	D7/605
5,864,981	A *	2/1999	Zeman	A01K 97/22 206/315.11

D415,658	S *	10/1999	Frehse	D7/605
6,076,298	A *	6/2000	Teel	A01K 97/22 43/54.1
D429,606	S *	8/2000	Israel	D7/605
6,364,329	B1 *	4/2002	Holub	A45C 5/14 280/47.26
D467,770	S *	12/2002	Blalock	D7/605
6,966,450	B2 *	11/2005	Askew	B65D 81/3816 220/529
D587,972	S *	3/2009	Dorisca	D7/605
D613,560	S *	4/2010	Robichaud	D7/605
D660,885	S *	5/2012	Crawford	D15/83
8,256,156	B1 *	9/2012	Burgoyne, Jr.	A01K 97/06 206/315.11
8,256,242	B1	9/2012	Evans	
8,479,947	B1 *	7/2013	Albrecht, II	A45C 11/20 220/524
D694,070	S *	11/2013	Torres	D7/605

* cited by examiner

Primary Examiner — Terry Wallace

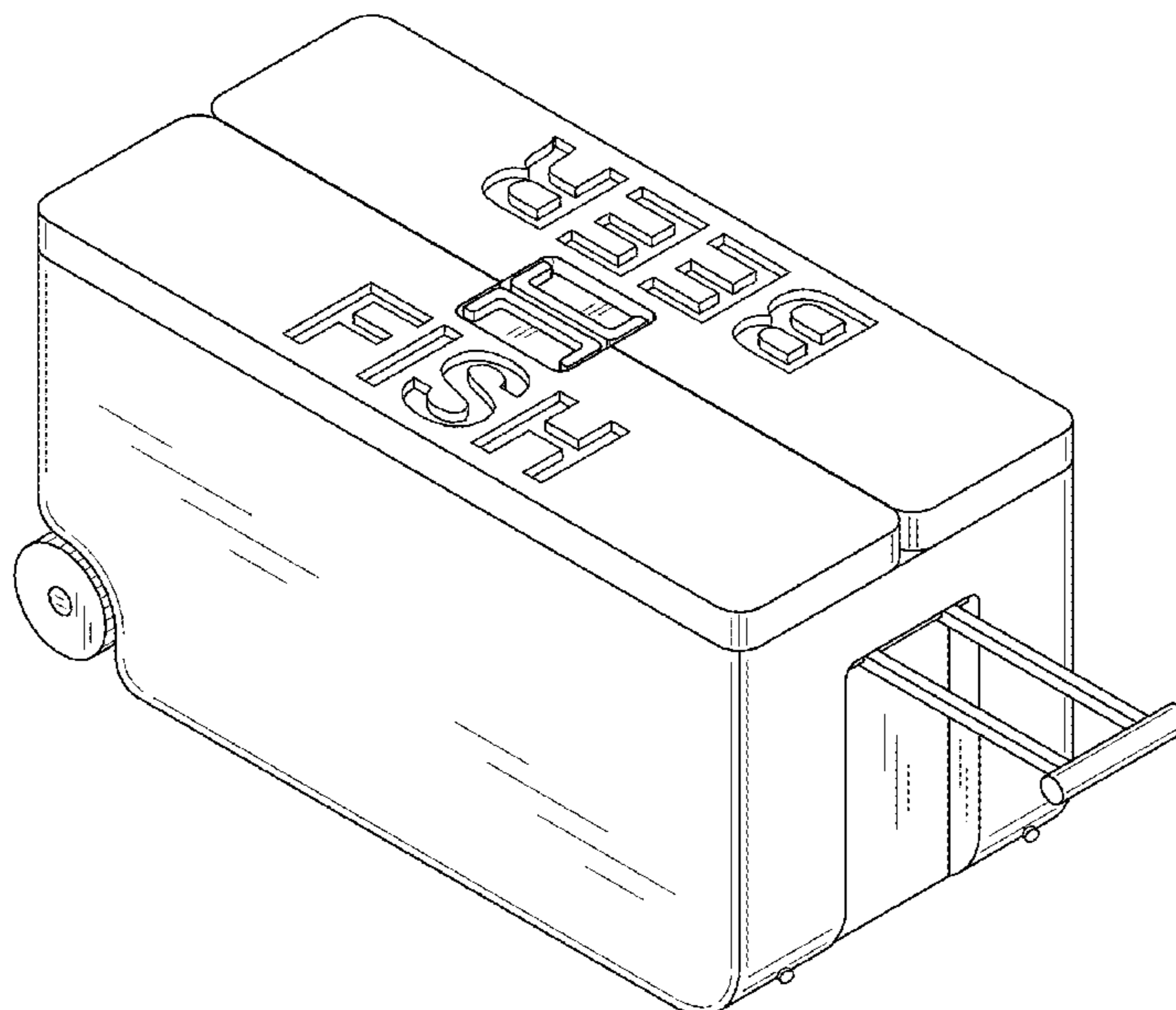
(57) **CLAIM**

The ornamental design for a multi-compartment cooler, as shown and described.

DESCRIPTION

FIG. 1 is a right side elevation view of a multi-compartment cooler showing my new design, the opposite side being a mirror image of the shown;
FIG. 2 is a front elevation view thereof;
FIG. 3 is a rear elevation view thereof;
FIG. 4 is a top plan view thereof;
FIG. 5 is a bottom plan view thereof;
FIG. 6 is an isometric view thereof in a closed condition;
and,
FIG. 7 is an isometric view thereof in an open condition.

1 Claim, 4 Drawing Sheets



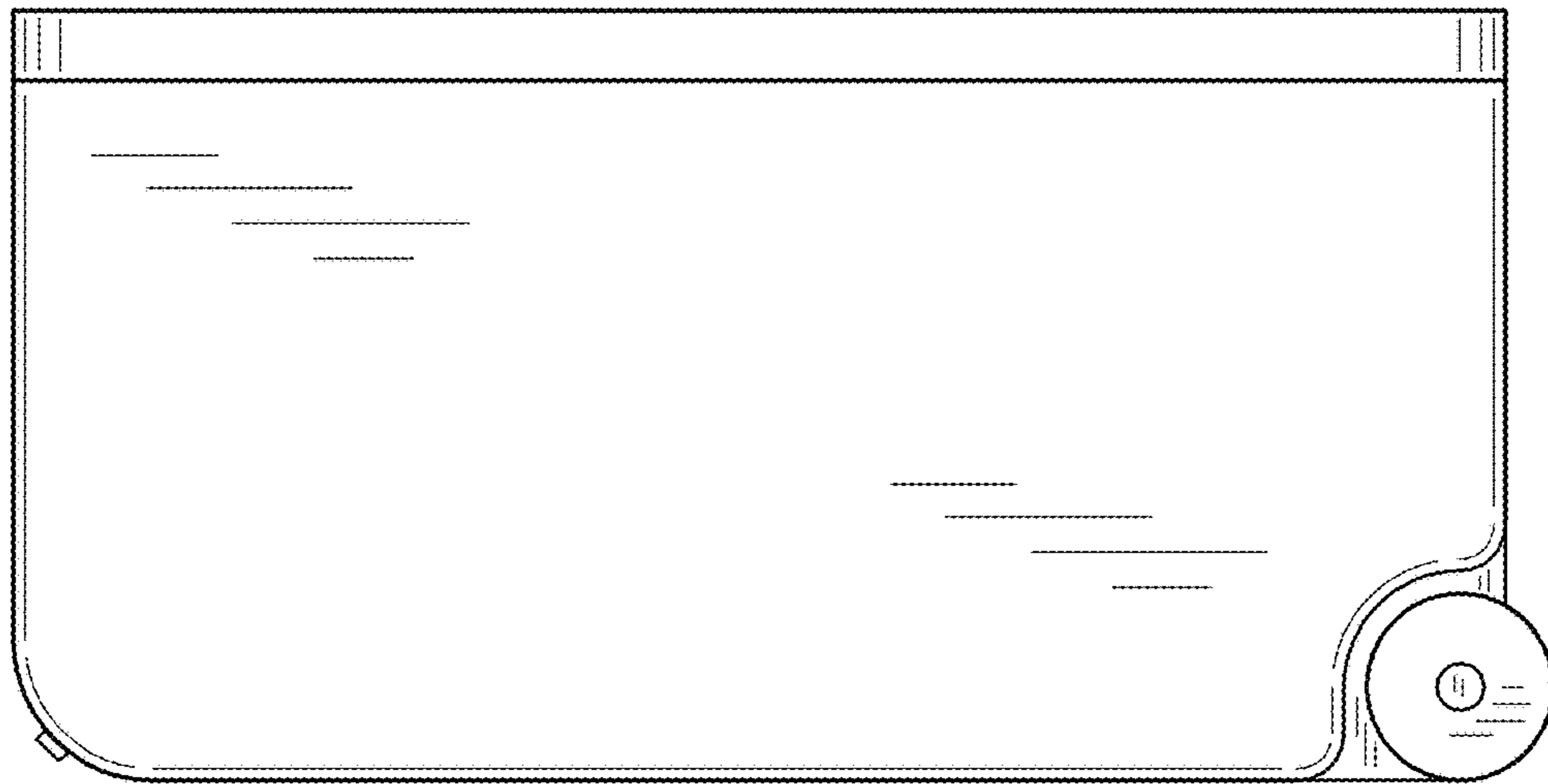


FIG. 1

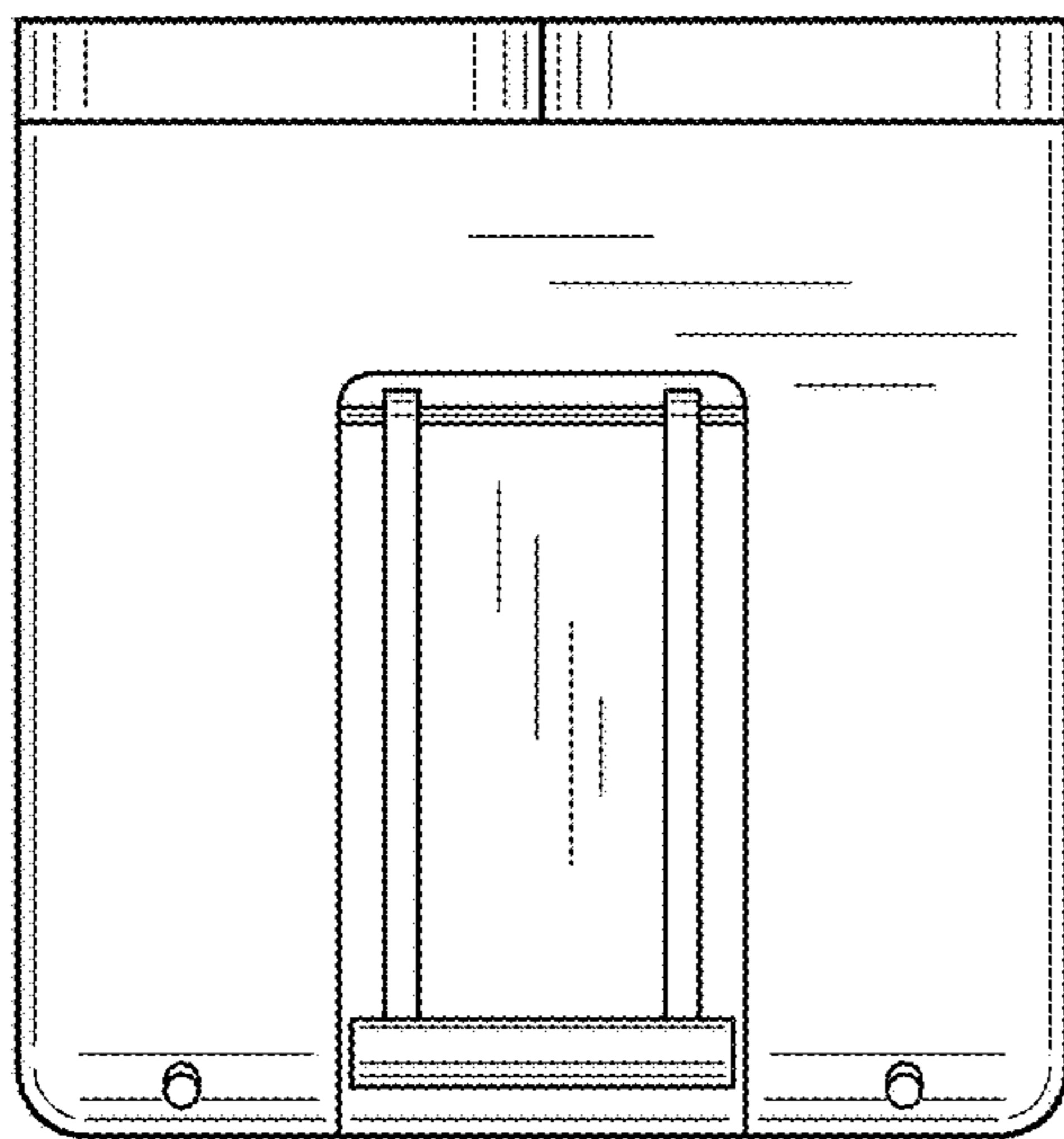


FIG. 2

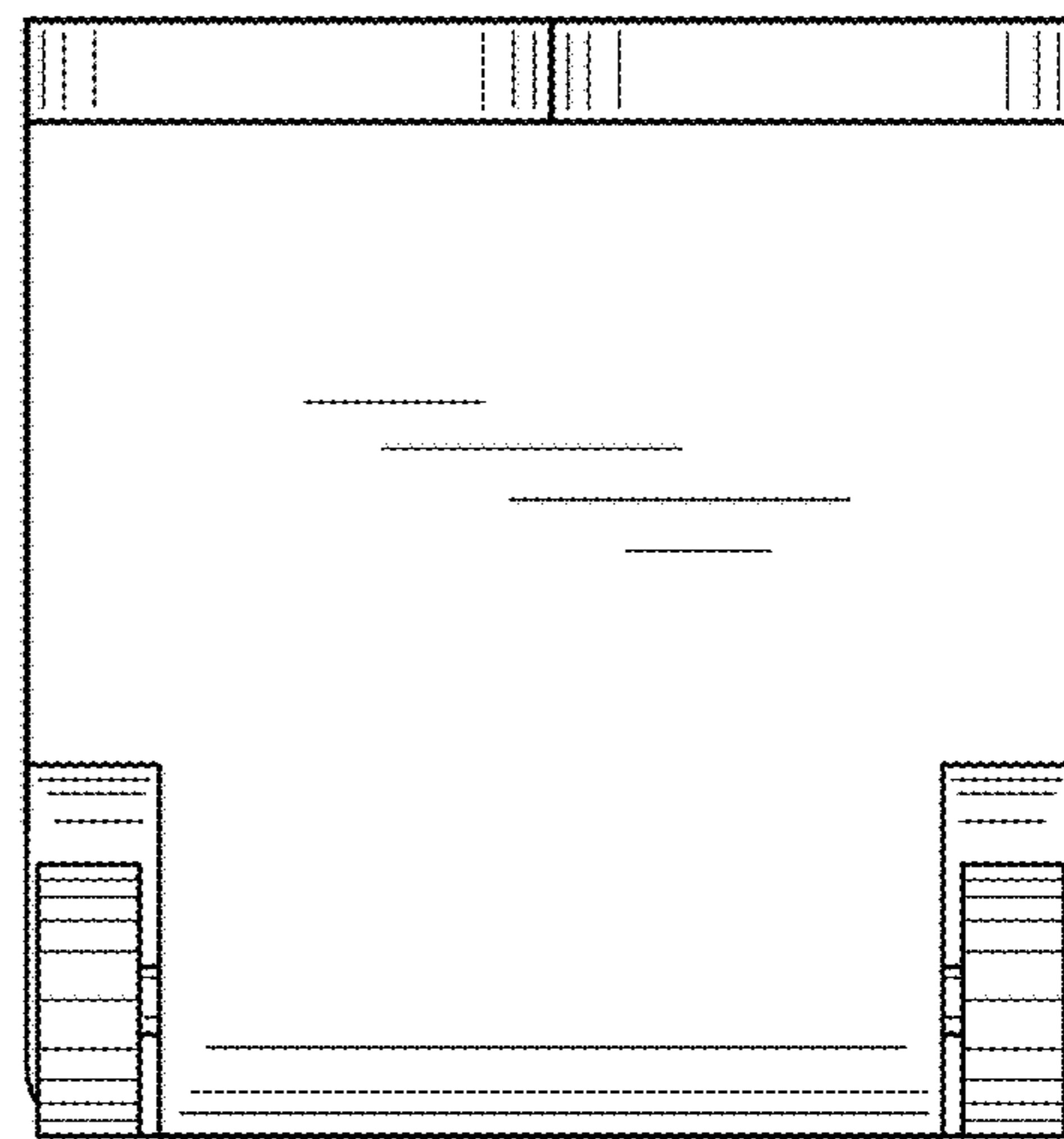


FIG. 3

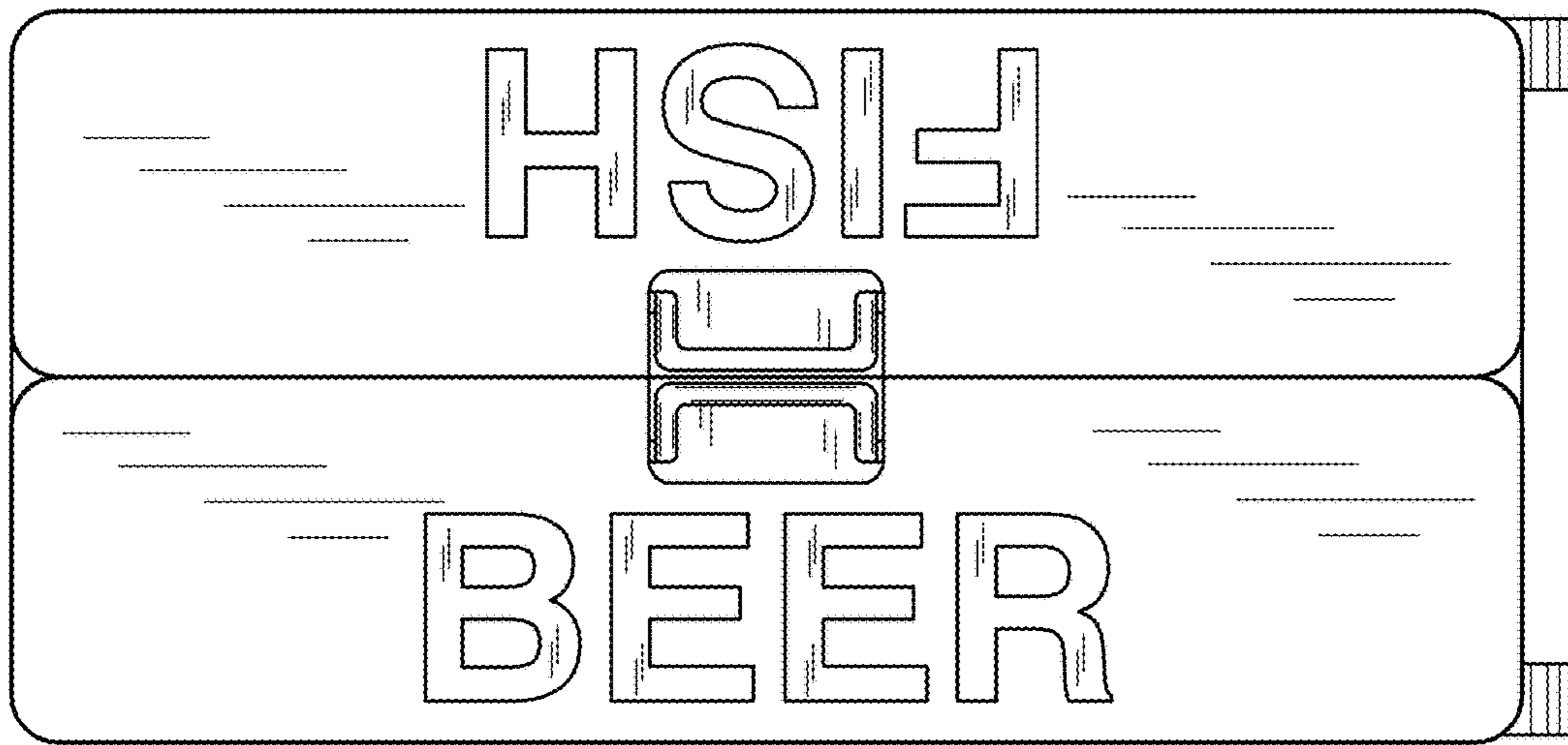


FIG. 4

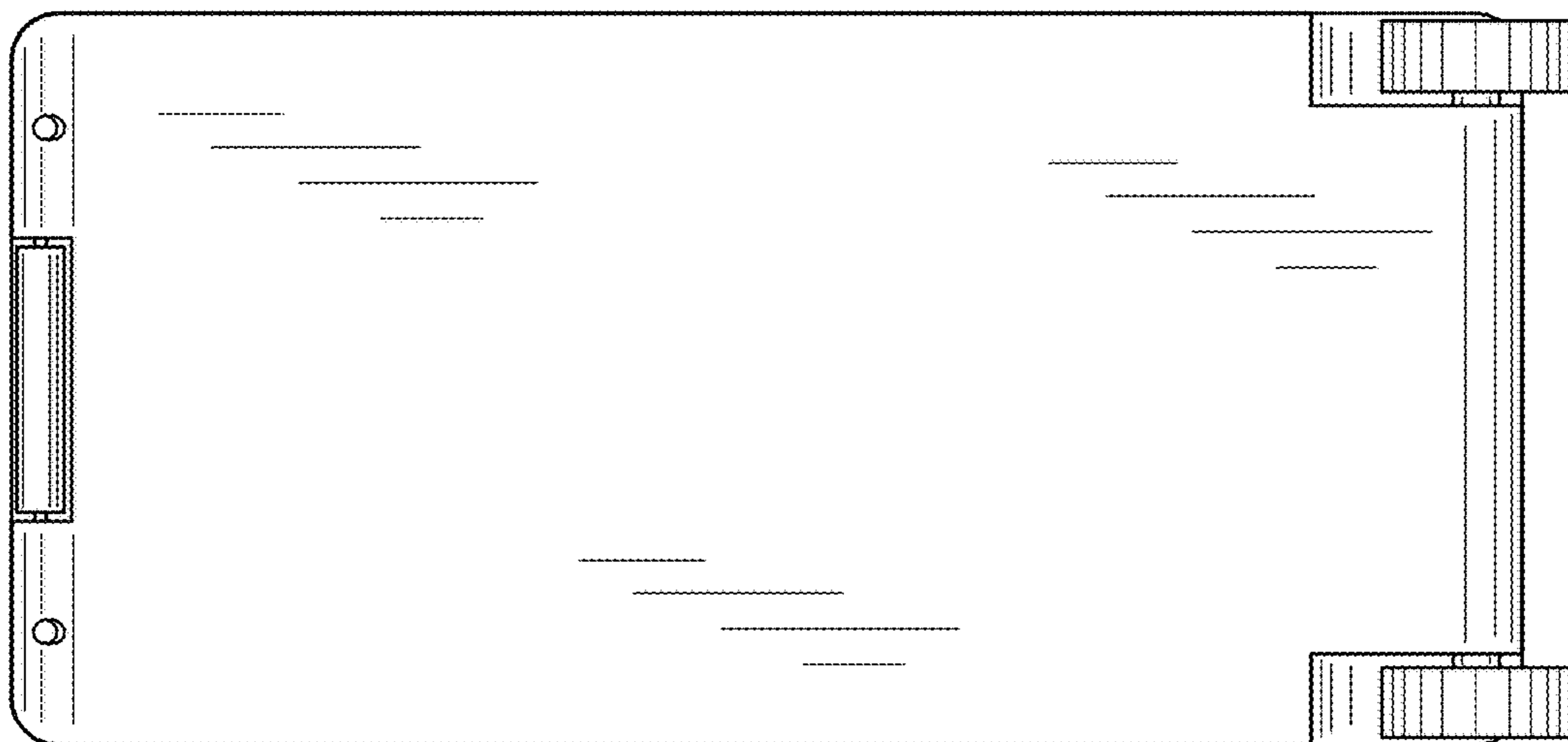


FIG. 5

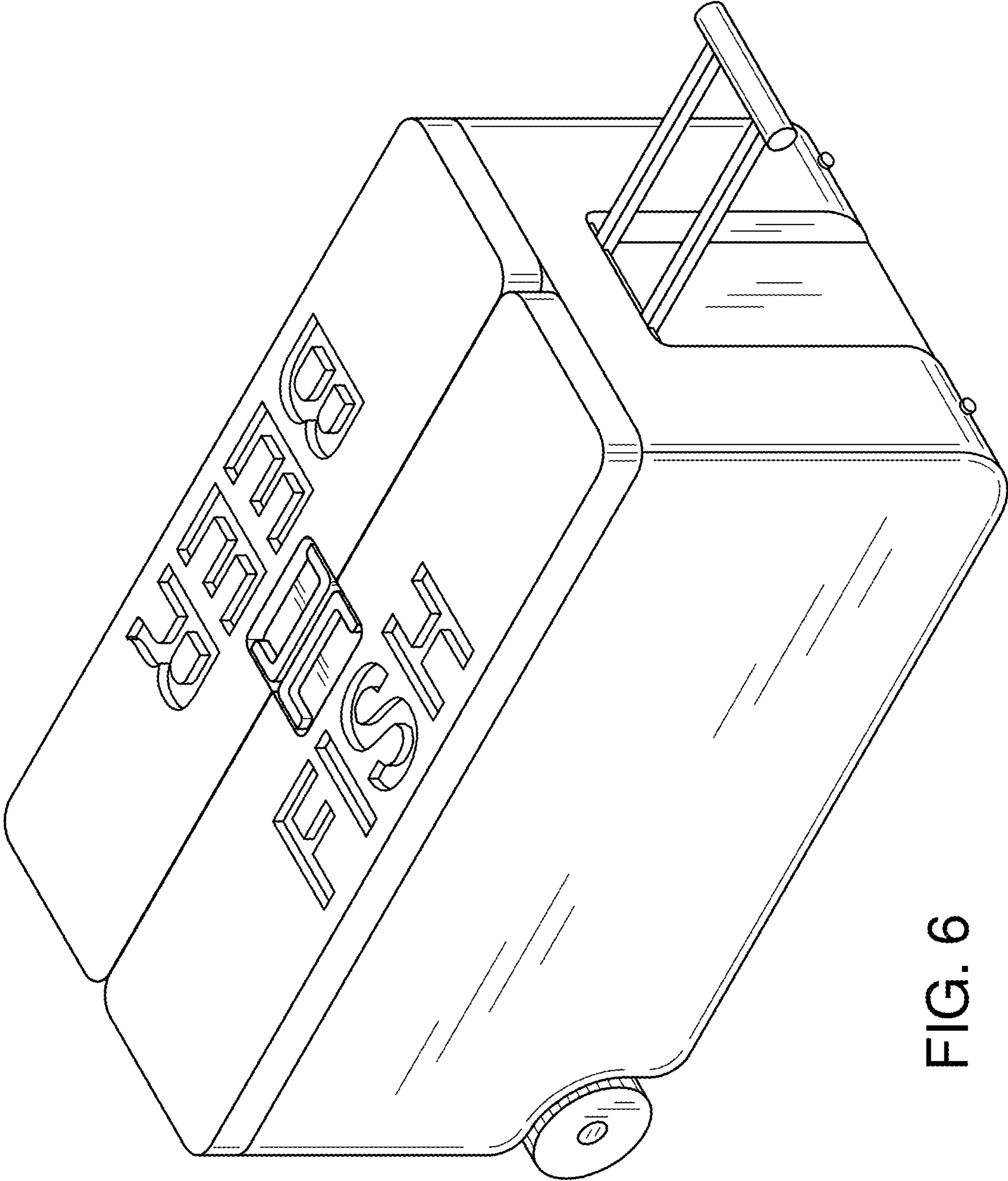


FIG. 6

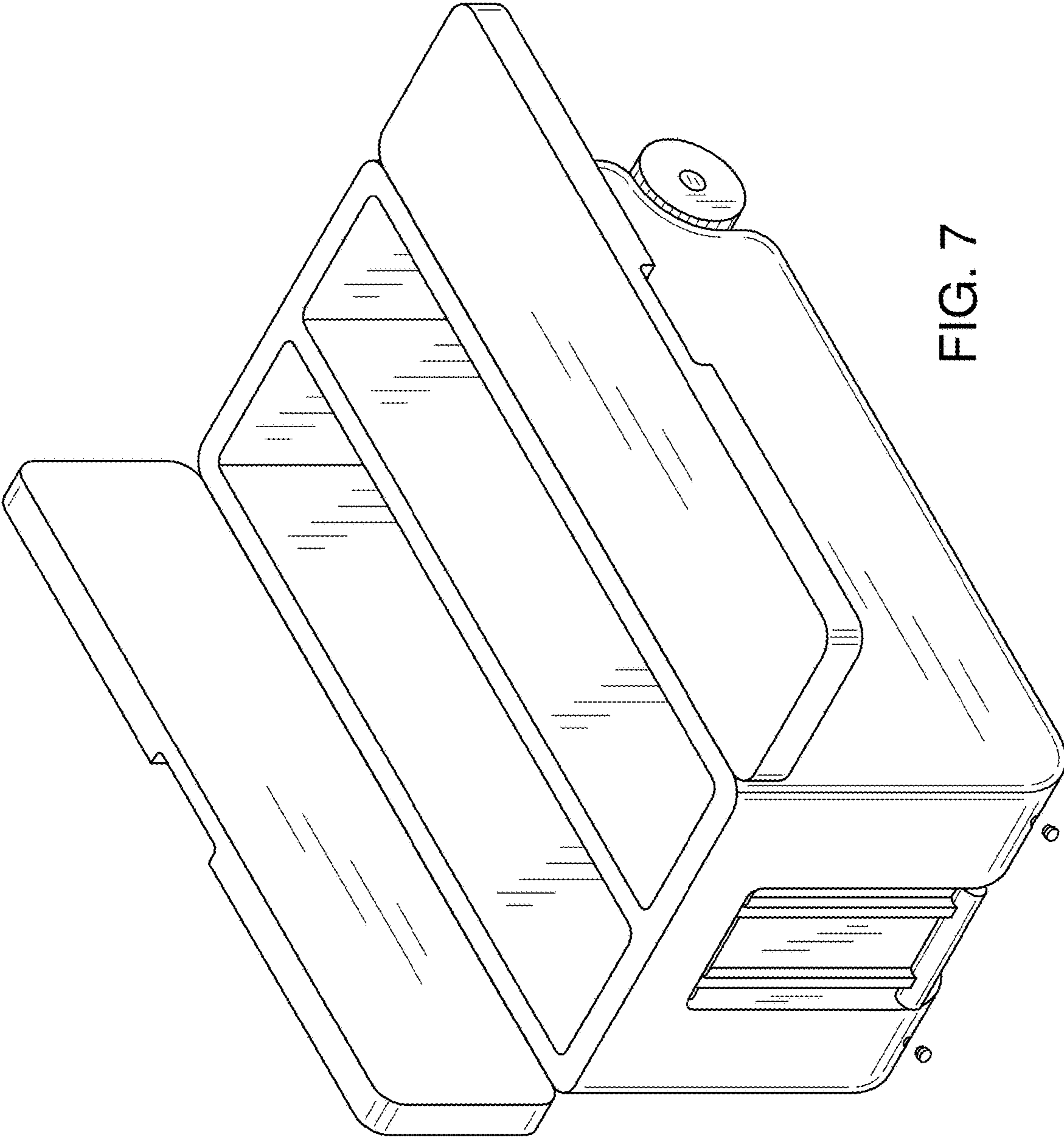


FIG. 7