



US00D797518S

(12) **United States Design Patent**  
**Pavia, III**

(10) **Patent No.:** **US D797,518 S**

(45) **Date of Patent:** **\*\* Sep. 19, 2017**

- (54) **ICE CHEST WITH DIVIDERS**
- (71) Applicant: **Jesus Pavia, III**, Las Vegas, NV (US)
- (72) Inventor: **Jesus Pavia, III**, Las Vegas, NV (US)
- (\*\*) Term: **15 Years**
- (21) Appl. No.: **29/567,947**
- (22) Filed: **Jun. 14, 2016**
- (51) **LOC (10) Cl.** ..... **07-01**
- (52) **U.S. Cl.**  
USPC ..... **D7/605**
- (58) **Field of Classification Search**  
USPC ..... D7/605-608  
CPC ... A45C 11/20; F25D 3/08; F25D 3/14; F25D  
2331/804; B65D 81/3823; A47J 41/022;  
A47G 19/2288  
See application file for complete search history.

- 5,864,981 A \* 2/1999 Zeman ..... A01K 97/22  
206/315.11
- 6,076,298 A \* 6/2000 Teel ..... A01K 97/22  
43/54.1
- 6,966,450 B2 \* 11/2005 Askew ..... B65D 81/3816  
220/529
- 8,256,156 B1 \* 9/2012 Burgoyne, Jr. .... A01K 97/06  
206/315.11
- 8,256,242 B1 \* 9/2012 Evans ..... A45C 11/20  
62/457.7
- 8,479,947 B1 \* 7/2013 Albrecht, II ..... A45C 11/20  
220/524

\* cited by examiner

*Primary Examiner* — Terry Wallace

(74) *Attorney, Agent, or Firm* — Stevenson IP, LLC

(57) **CLAIM**

The ornamental design for an ice chest with dividers, as shown and described.

(56) **References Cited**

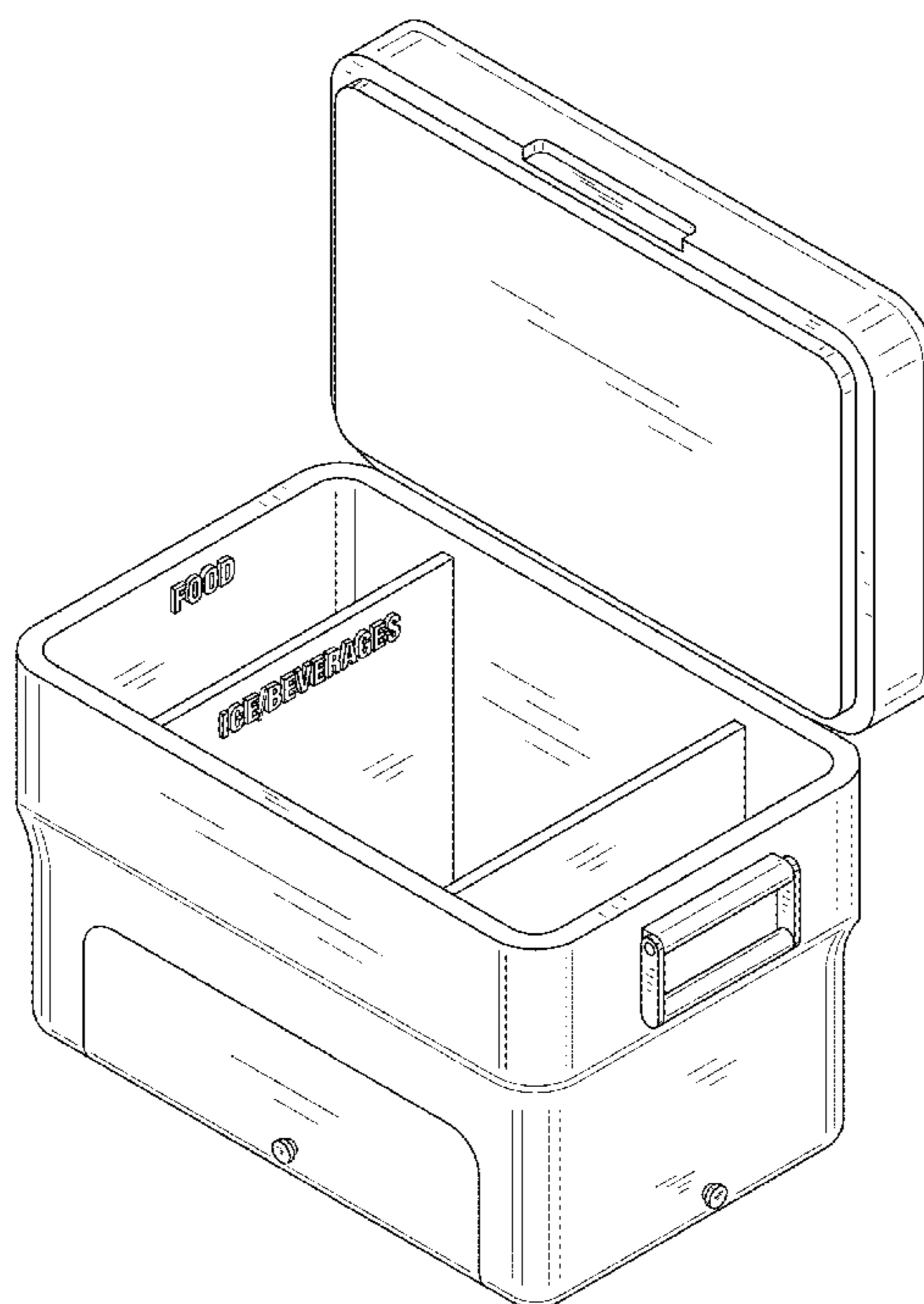
U.S. PATENT DOCUMENTS

- 3,395,550 A \* 8/1968 Dungan ..... F25D 3/08  
62/371
- 3,959,982 A \* 6/1976 Denis ..... F25B 19/00  
236/92 B
- 4,515,421 A \* 5/1985 Steffes ..... A45C 11/20  
312/351
- 4,759,467 A \* 7/1988 Byrne ..... F25D 3/06  
220/495.08
- 5,305,544 A \* 4/1994 Testa, Jr. .... A01K 97/05  
206/315.11
- D371,056 S \* 6/1996 Sullivan ..... D7/605
- D396,779 S \* 8/1998 Moffett, III ..... D7/605

**DESCRIPTION**

FIG. 1 is a front elevation view of an ice chest with dividers showing my new design with a lid in an open condition; FIG. 2 is a rear elevation view thereof; FIG. 3 is a right side elevation view thereof, the opposite side being a mirror image of the shown; FIG. 4 is a top plan view thereof; FIG. 5 is a bottom plan view thereof; and, FIG. 6 is an isometric view thereof.

**1 Claim, 5 Drawing Sheets**



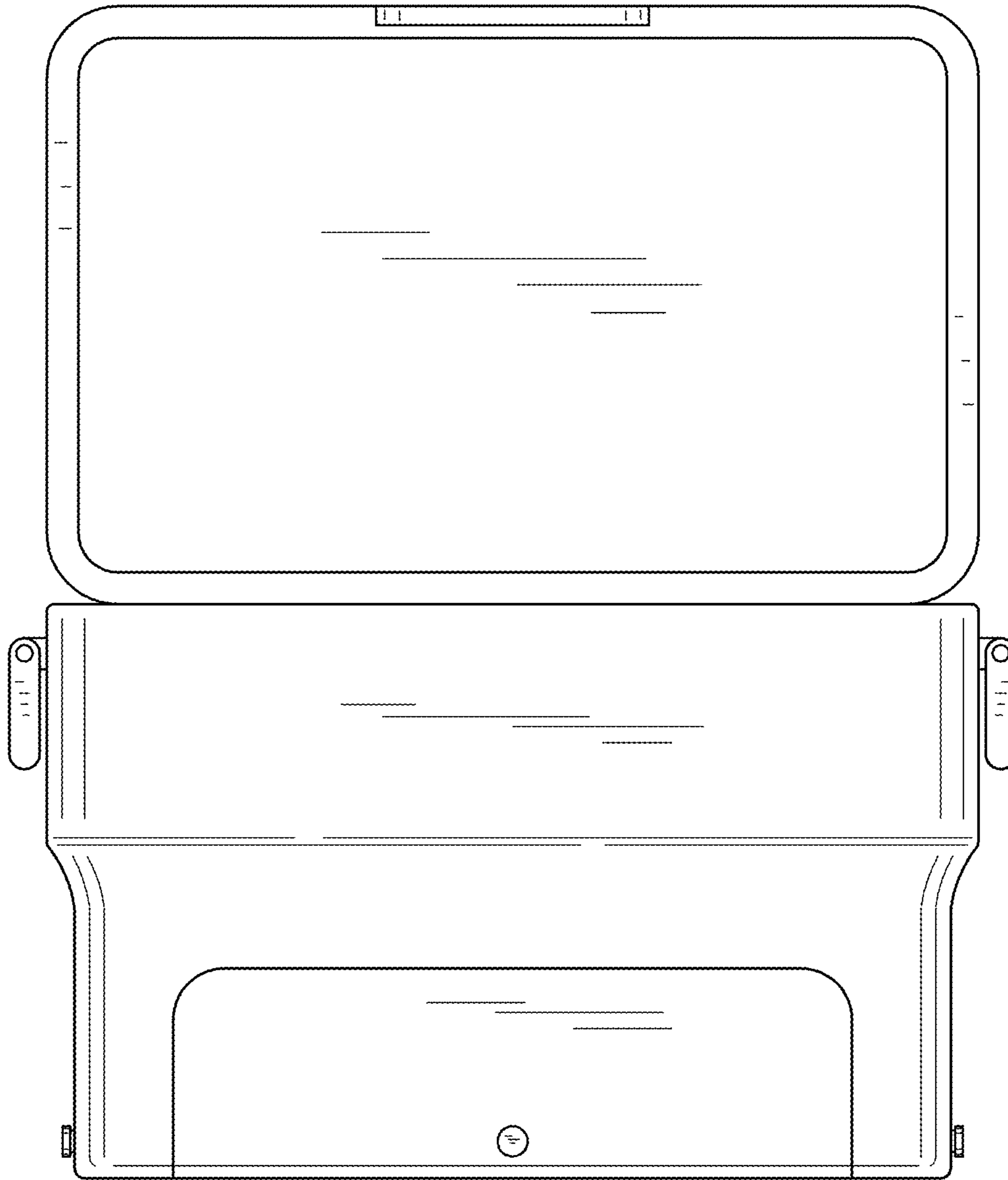


FIG. 1

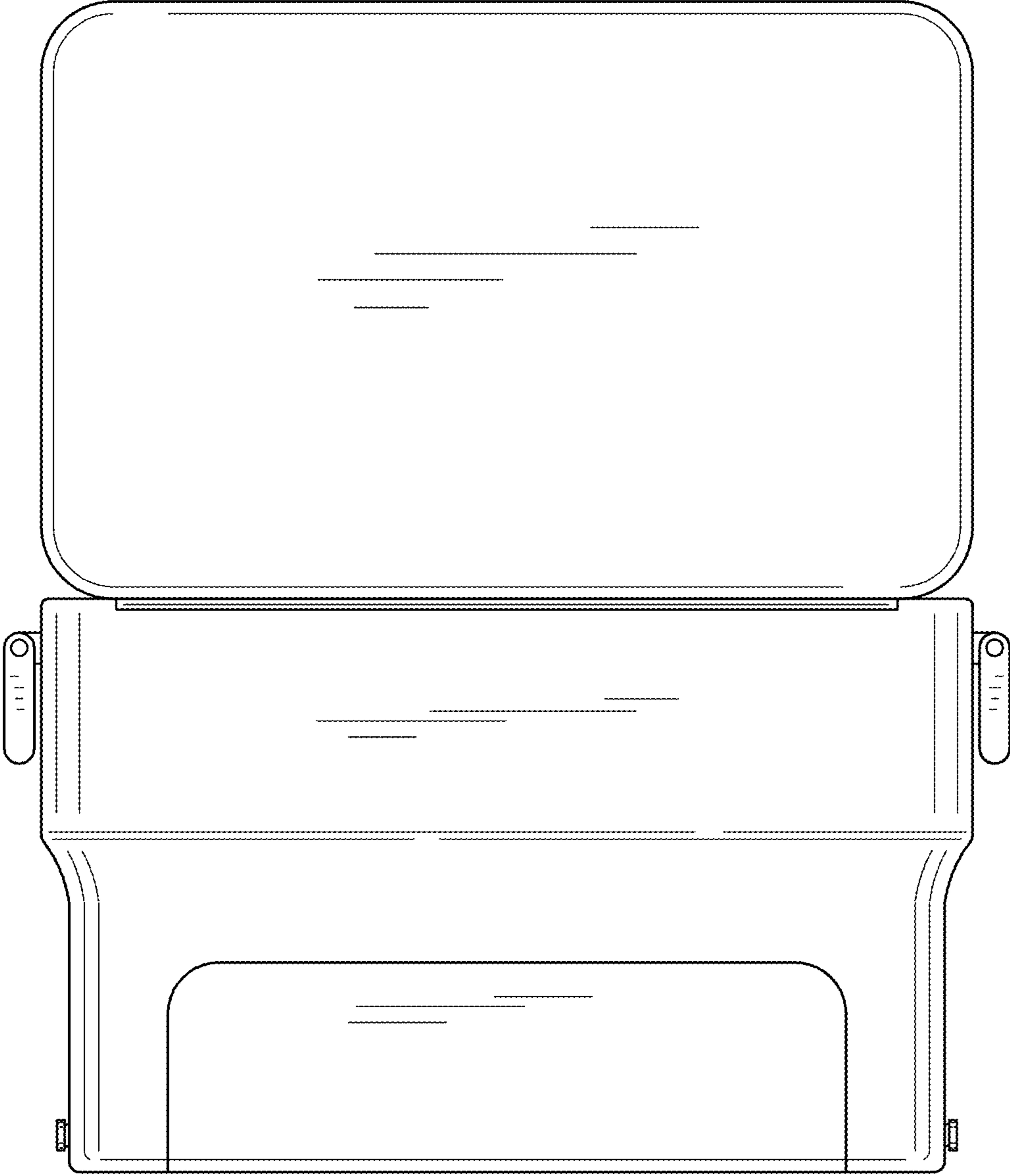


FIG. 2

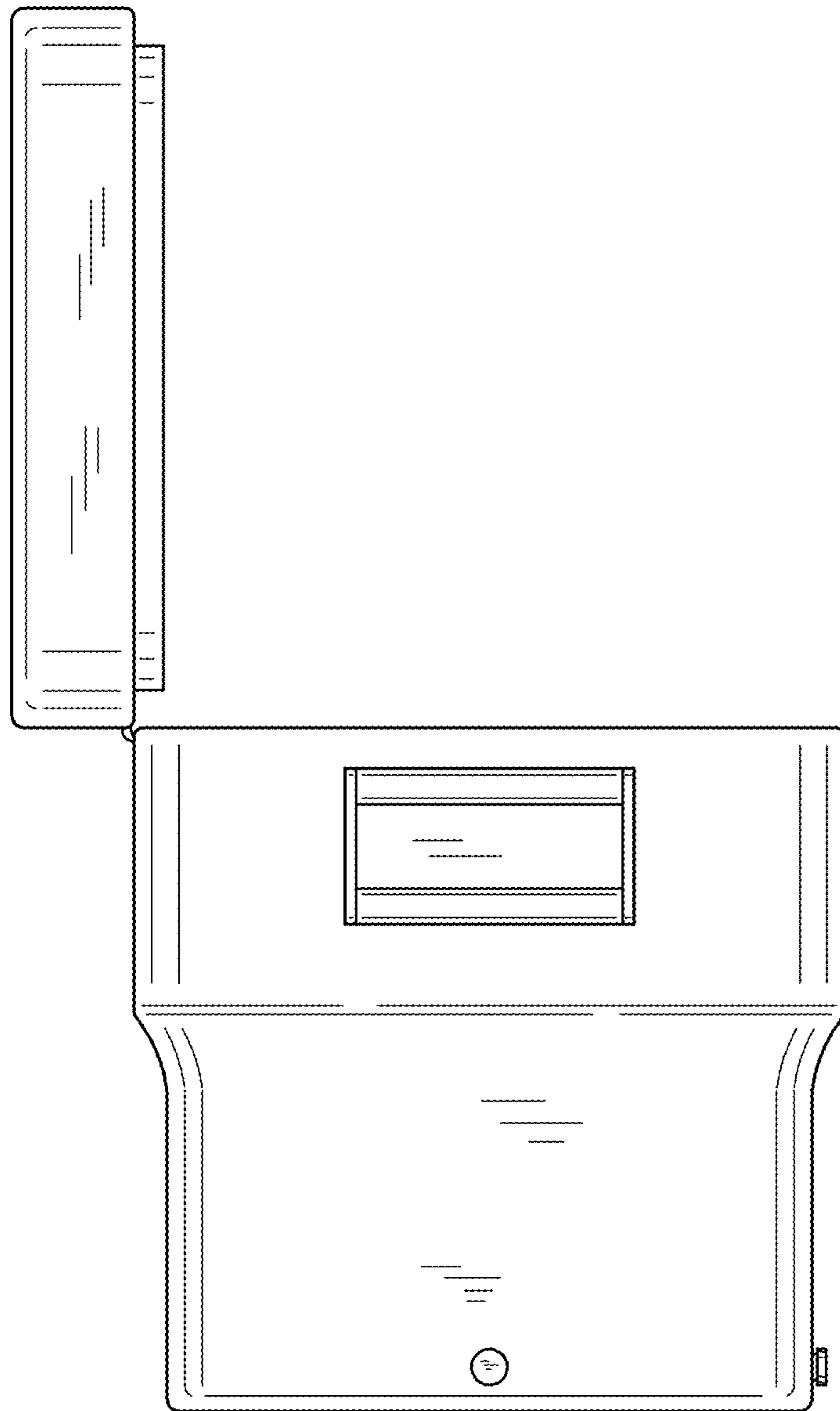


FIG. 3

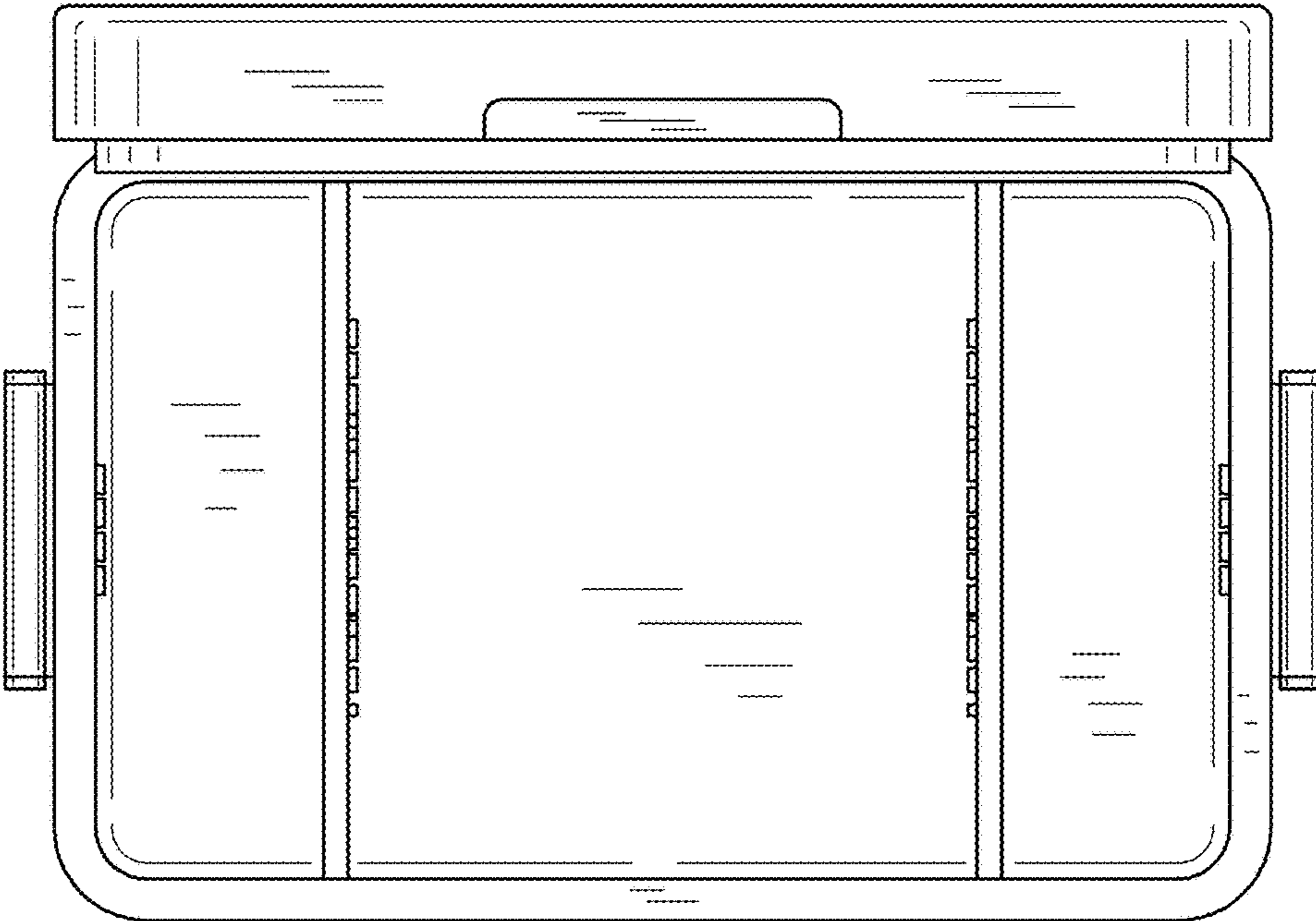


FIG. 4

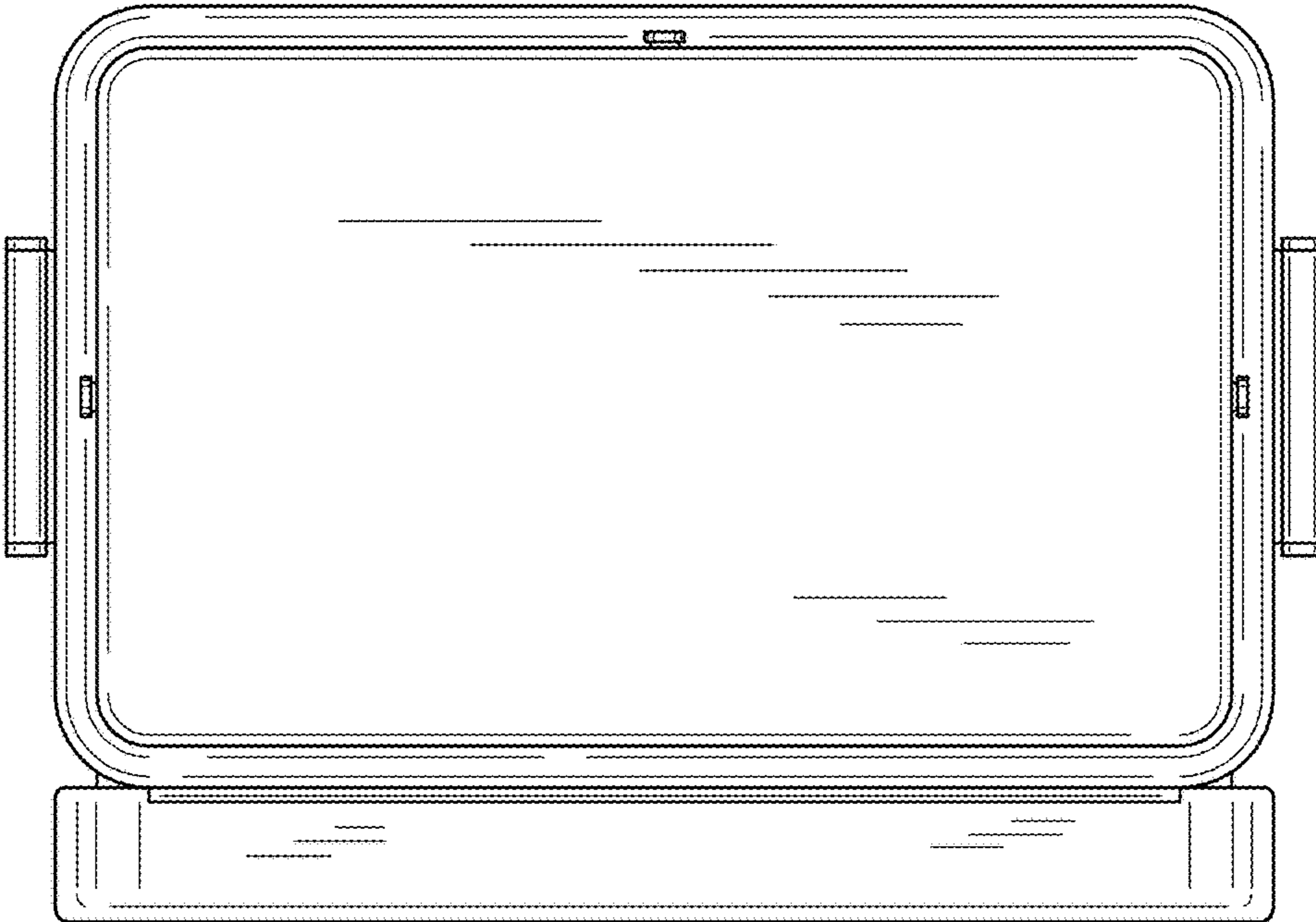


FIG. 5

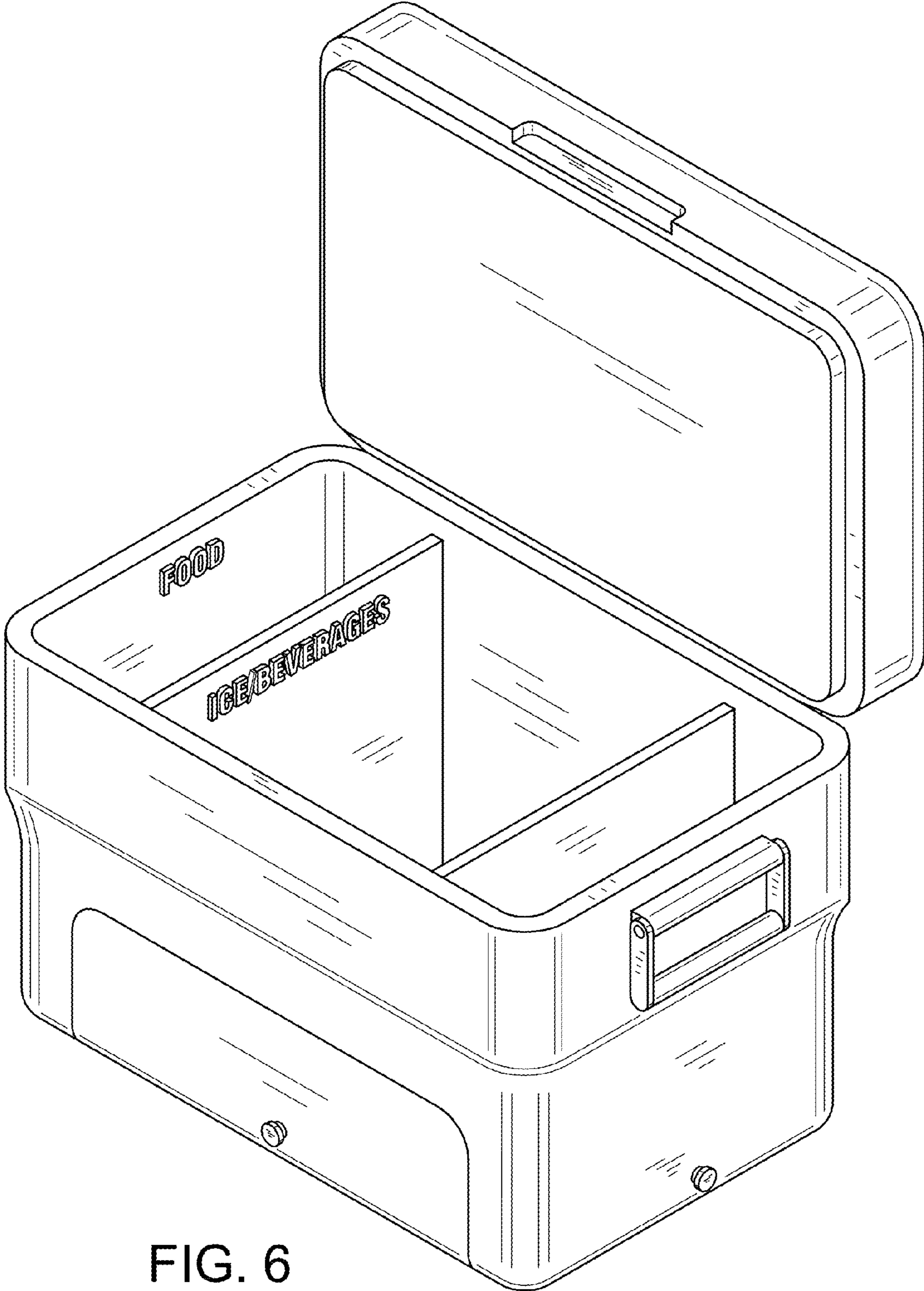


FIG. 6