



US00D797517S

(12) **United States Design Patent**
de Almeida Braga

(10) **Patent No.:** **US D797,517 S**
(45) **Date of Patent:** **** Sep. 19, 2017**

(54) **SUSPENDED DEVICE FOR EXPOSURE AND STORAGE OF FOOD PRODUCTS AND FOR ILLUMINATION THEREOF**

(71) Applicant: **Sylvia Nabuco de Almeida Braga**, Rio de Janeiro (BR)

(72) Inventor: **Sylvia Nabuco de Almeida Braga**, Rio de Janeiro (BR)

(**) Term: **14 Years**

(21) Appl. No.: **29/525,996**

(22) Filed: **May 5, 2015**

(30) **Foreign Application Priority Data**

Nov. 10, 2014 (BR) 302014005610

(51) **LOC (10) Cl.** **07-01**

(52) **U.S. Cl.**
USPC **D7/602**

(58) **Field of Classification Search**
USPC D7/401, 401.1, 402, 407, 409, 600.1,
D7/602, 590, 600, 601, 609, 629, 709;
(Continued)

(56) **References Cited**

U.S. PATENT DOCUMENTS

4,179,040 A * 12/1979 Bateman A47G 19/30
206/804
4,377,114 A * 3/1983 Fuller A47F 5/0892
108/103

(Continued)

Primary Examiner — Robin V Webster

Assistant Examiner — Rachel Voorhies

(74) *Attorney, Agent, or Firm* — Alston & Bird LLP

(57) **CLAIM**

We claim the ornamental design for suspended device for exposure and storage of food products and for illumination thereof, as shown and described.

DESCRIPTION

FIG. 1 represents a perspective view of a first embodiment of the suspended device for exposure and storage of food products and for illumination thereof;

FIG. 2 represents a top view of the suspended device of FIG. 1;

FIG. 3 represents a bottom view of the suspended device of FIG. 1;

FIG. 4 represents a front view of the suspended device of FIG. 1;

FIG. 5 represents a back view of the suspended device of FIG. 1;

FIG. 6 represents a side view of the suspended device of FIG. 1;

FIG. 7 represents a perspective view of a second embodiment of the suspended device for exposure and storage of food products and for illumination thereof;

FIG. 8 represents a top view of the suspended device of FIG. 7;

FIG. 9 represents a bottom view of the suspended device of FIG. 7;

FIG. 10 represents a front view of the suspended device of FIG. 7;

FIG. 11 represents a side view of the suspended device of FIG. 7;

FIG. 12 represents a perspective view of a third embodiment of the suspended device for exposure and storage of food products and for illumination thereof;

FIG. 13 represents a top view of the suspended device of FIG. 12;

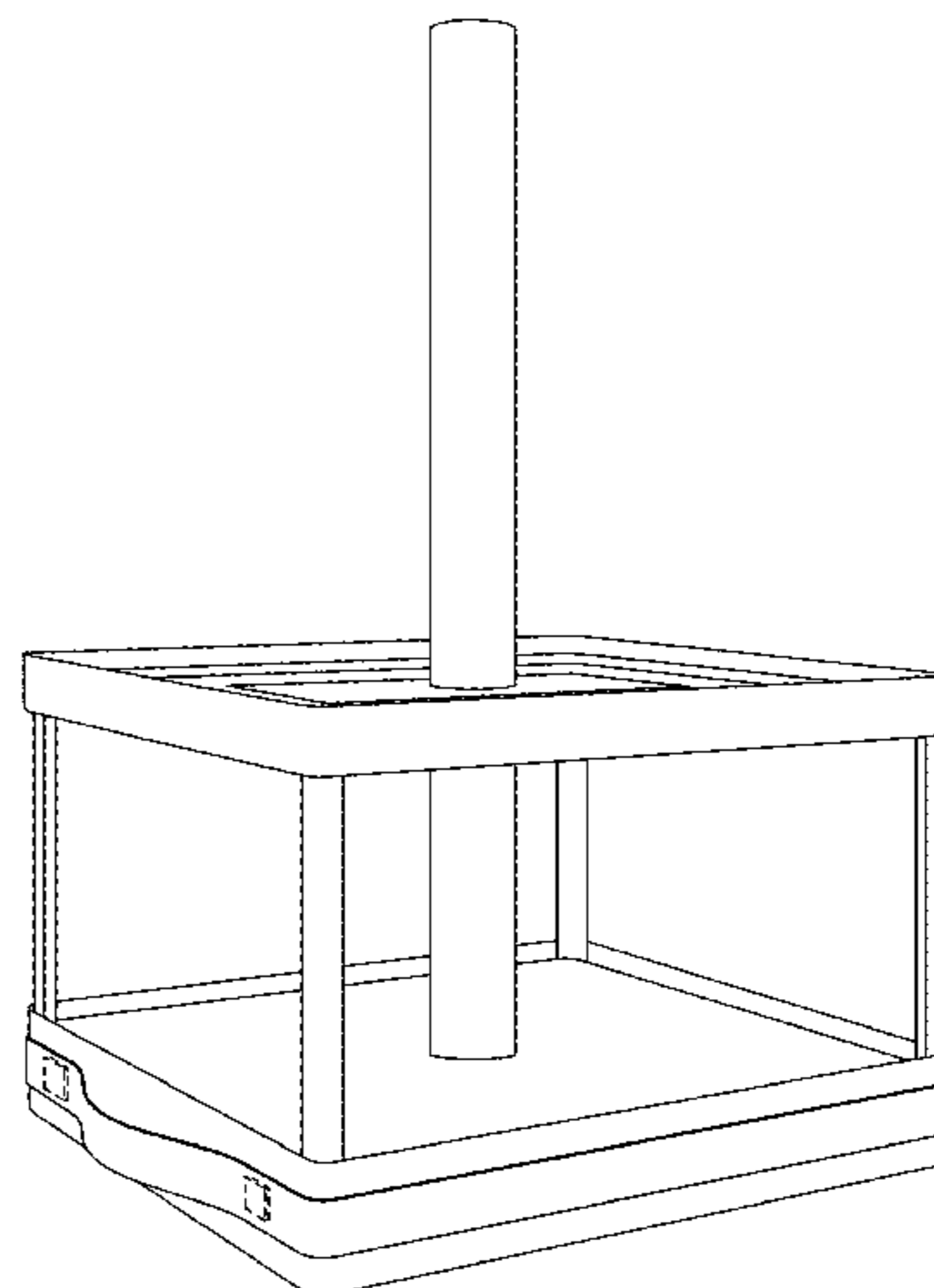
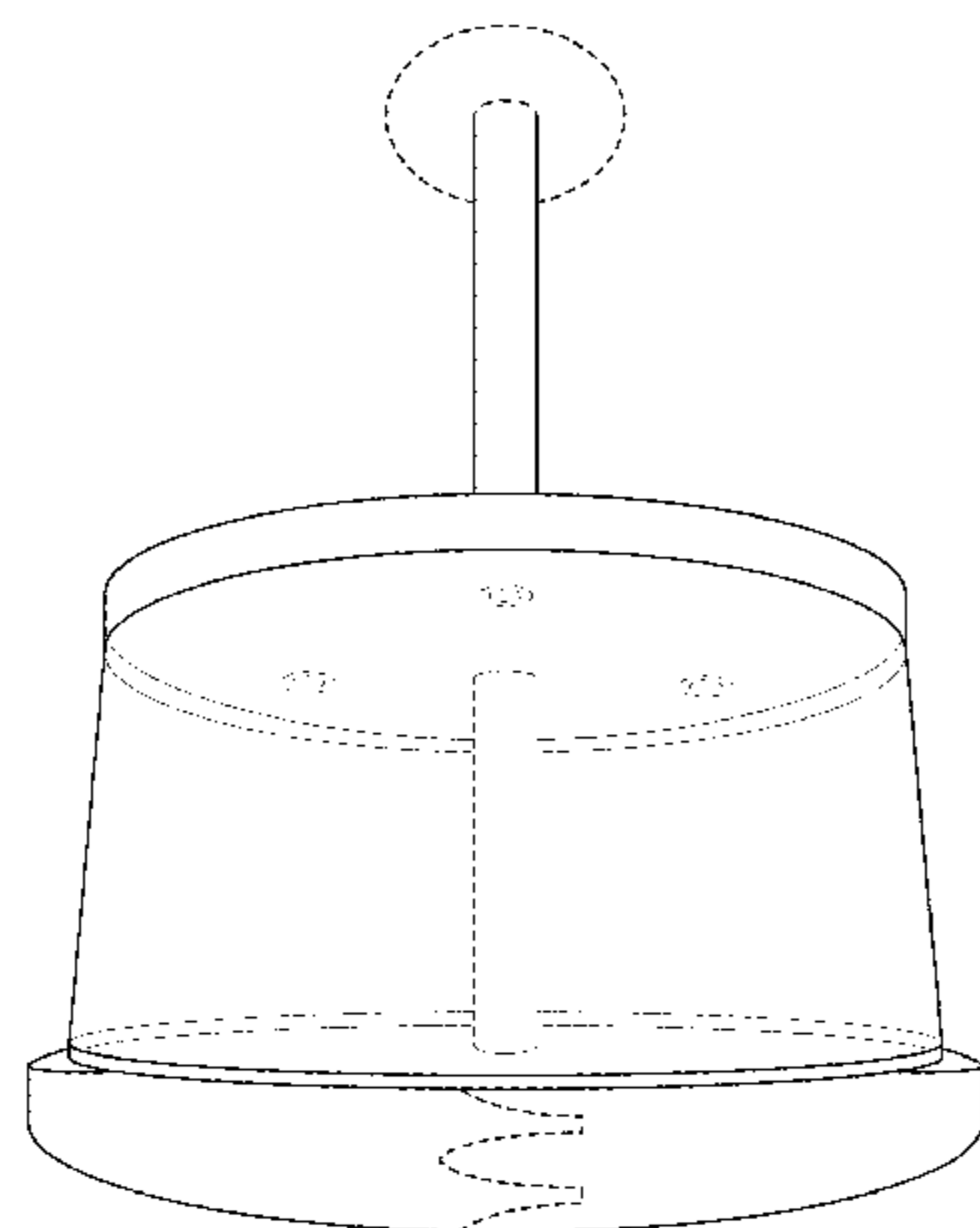
FIG. 14 represents a bottom view of the suspended device of FIG. 12;

FIG. 15 represents a front view of the suspended device of FIG. 12; and,

FIG. 16 represents a side view of the suspended device of FIG. 12.

The broken lines shown in the drawing disclosure illustrate portions of the suspended device for exposure and storage of food products and for illumination thereof which form no part of the claimed design.

1 Claim, 14 Drawing Sheets



(58) **Field of Classification Search**

USPC D3/282, 302, 304–305, 307–309, 315;
 D34/44; 206/198, 428, 509; 220/500,
 220/696, 752, 23.83; 224/202
 CPC B65D 1/00; B65D 23/00; B65D 2313/06
 See application file for complete search history.

(56) **References Cited**

U.S. PATENT DOCUMENTS

D283,965	S	*	5/1986	Fitou	D7/601
5,071,003	A	*	12/1991	Freeland	A47G 25/54 206/282
5,417,329	A	*	5/1995	Whitman	A47F 5/0018 206/493
D359,204	S	*	6/1995	Rodriguez	D7/709
D369,723	S	*	5/1996	McArthur	D7/608
5,544,499	A	*	8/1996	Boggs	D04B 3/06 220/23.4
5,634,569	A	*	6/1997	DeCoster	A47G 19/30 206/519
5,799,787	A	*	9/1998	Talbot	B25H 3/025 206/315.11
5,810,196	A	*	9/1998	Lundy	B44D 3/128 220/23.8
D411,941	S	*	7/1999	Deif	D7/608
D448,980	S	*	10/2001	Fredrickson	D3/315
D532,146	S	*	11/2006	Crosby	D26/118
D532,147	S	*	11/2006	Crosby	D26/118
D574,543	S	*	8/2008	Chandler	D26/88
D610,881	S	*	3/2010	Drake	D7/590
8,573,373	B2	*	11/2013	Rothschild	A45F 4/06 190/100
D746,641	S	*	1/2016	Panone	D7/602
2006/0120846	A1	*	6/2006	Krengel	A47B 5/00 414/592

* cited by examiner

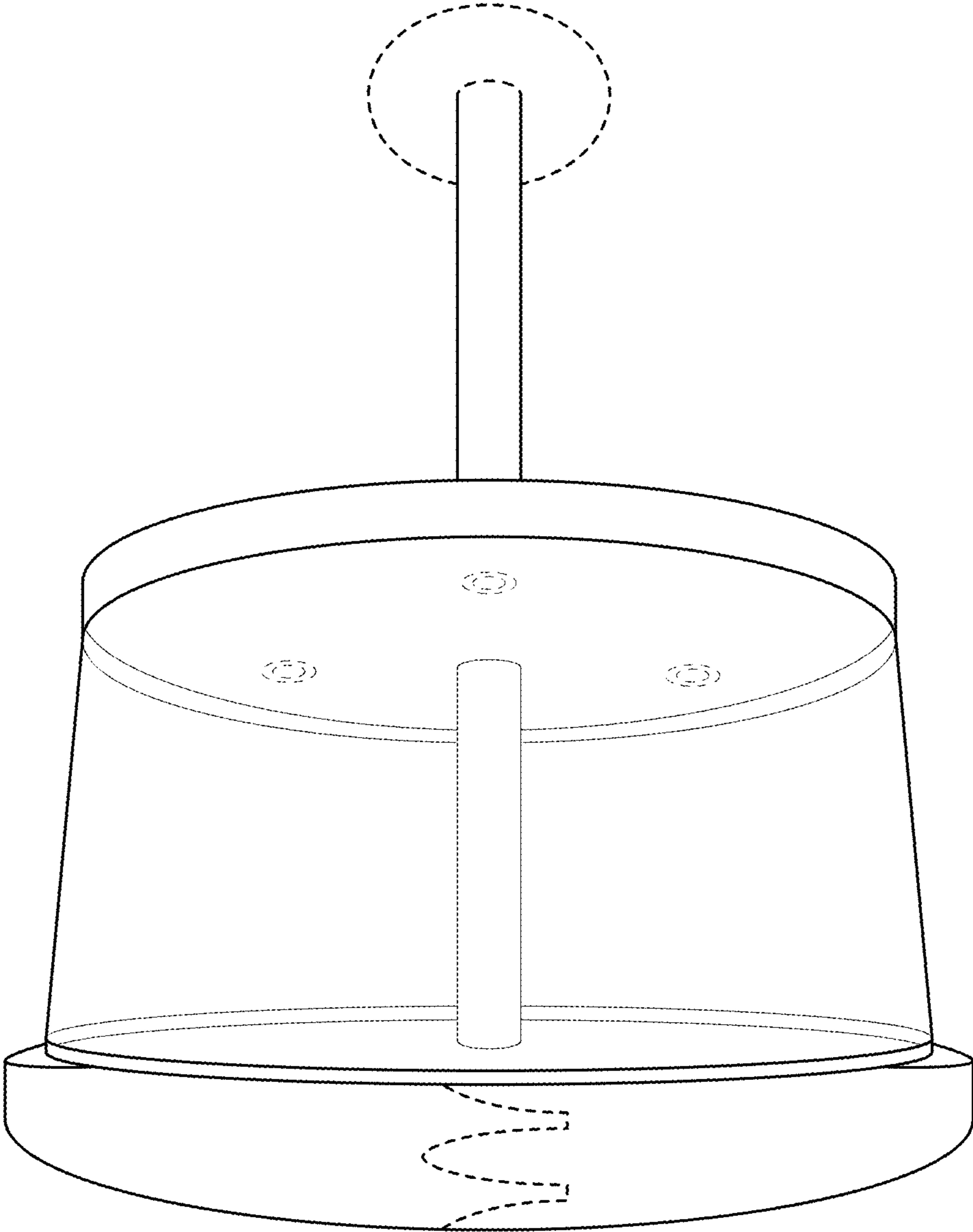


FIG. 1

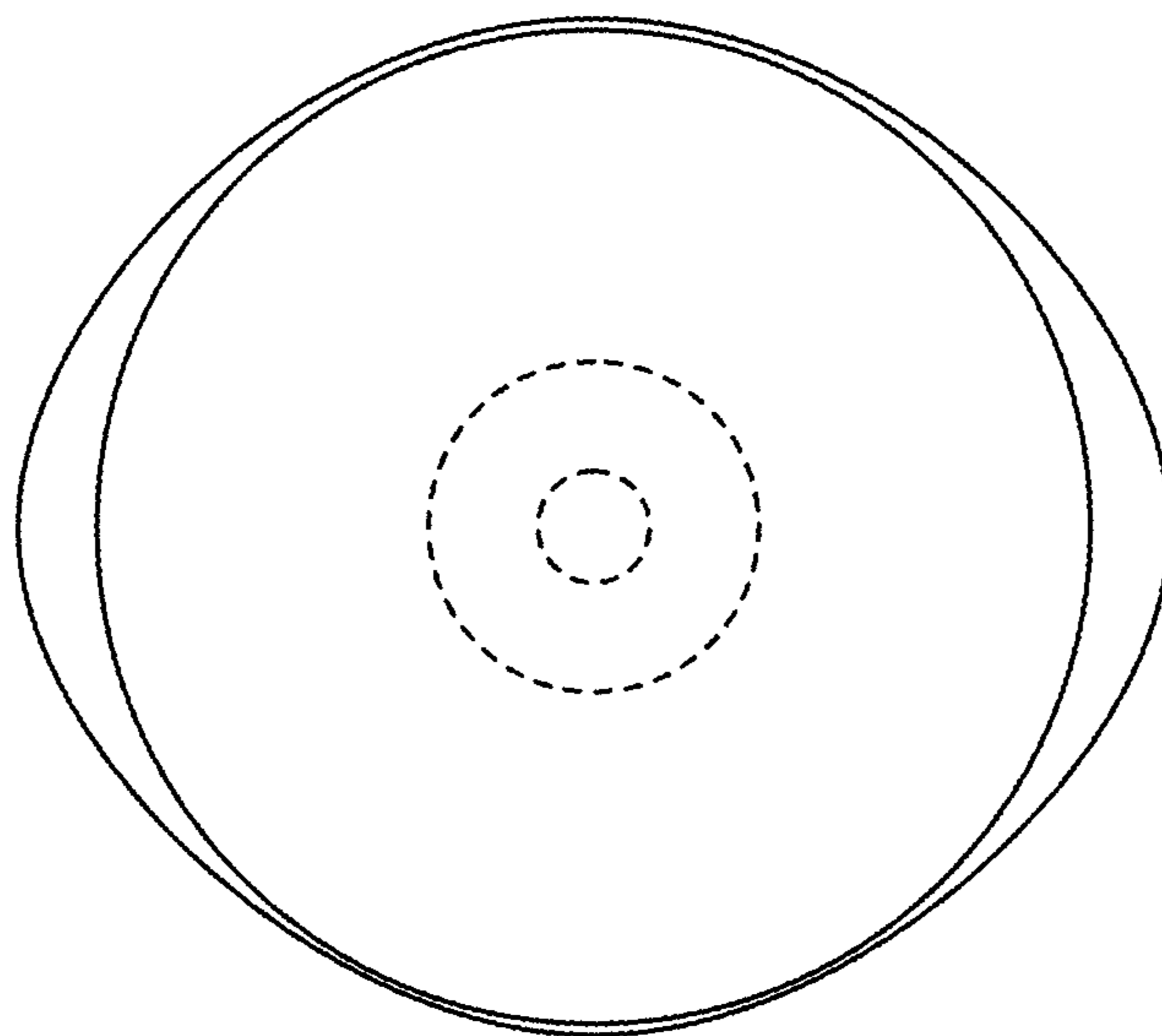


FIG. 2

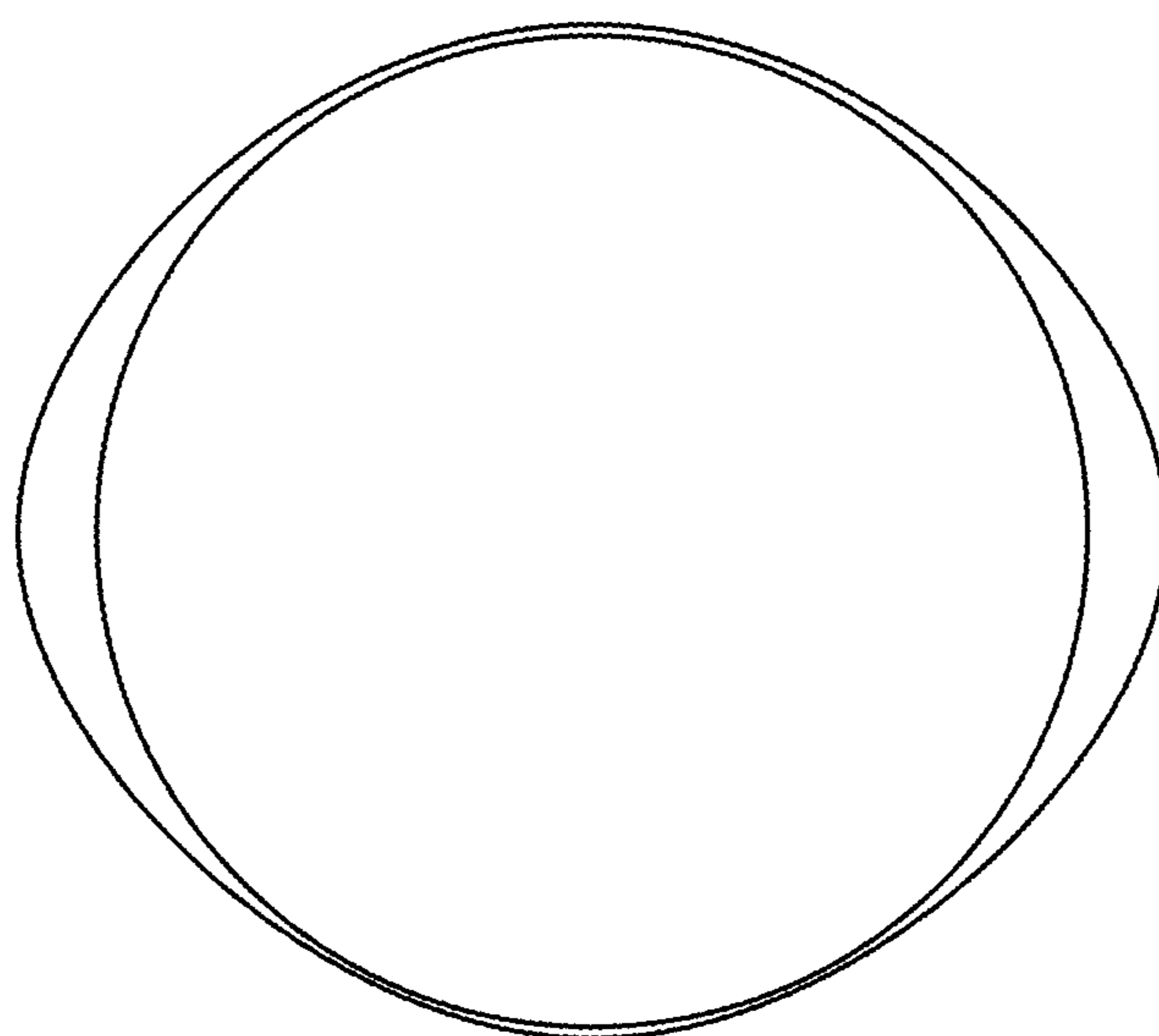


FIG. 3

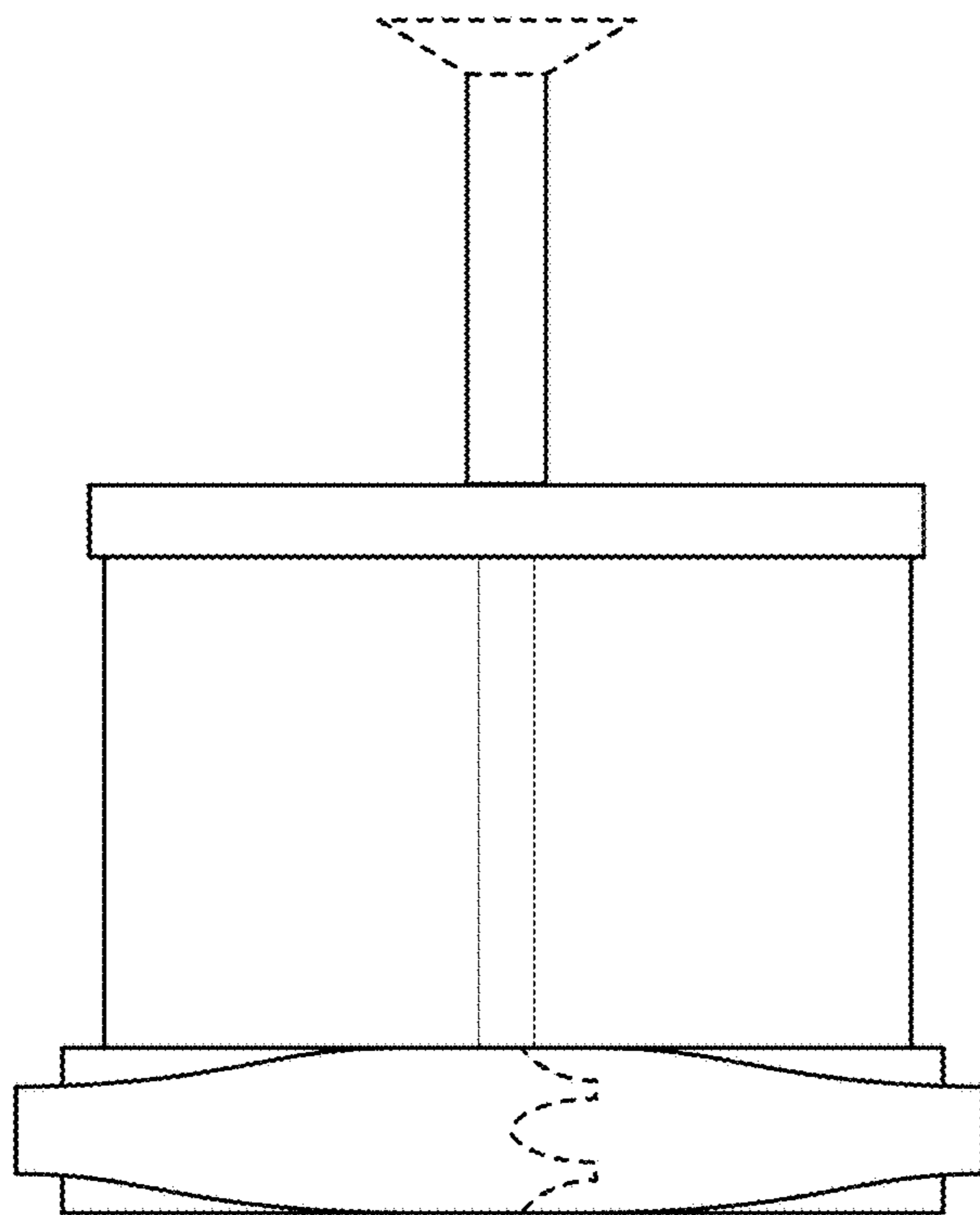


FIG. 4

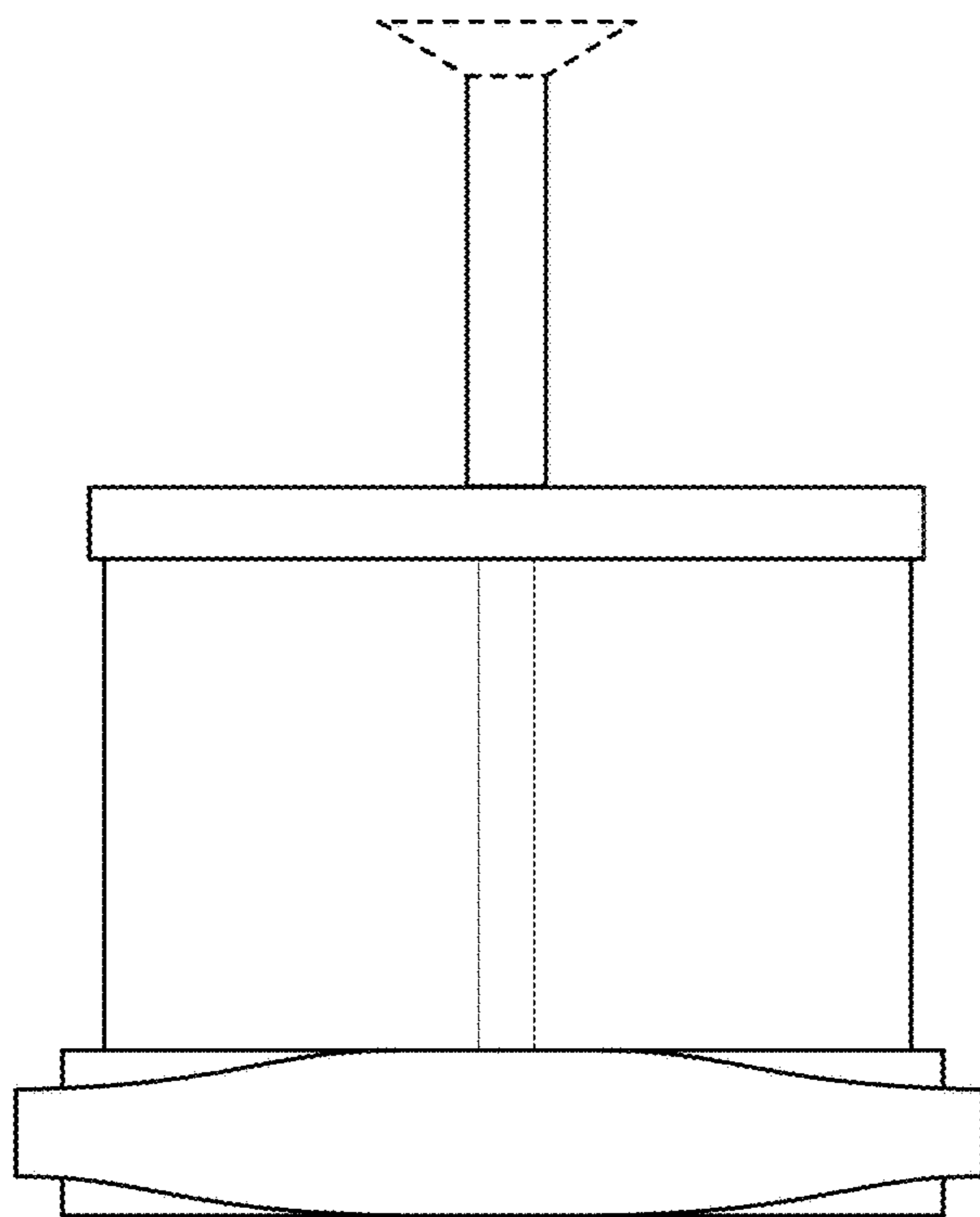


FIG. 5

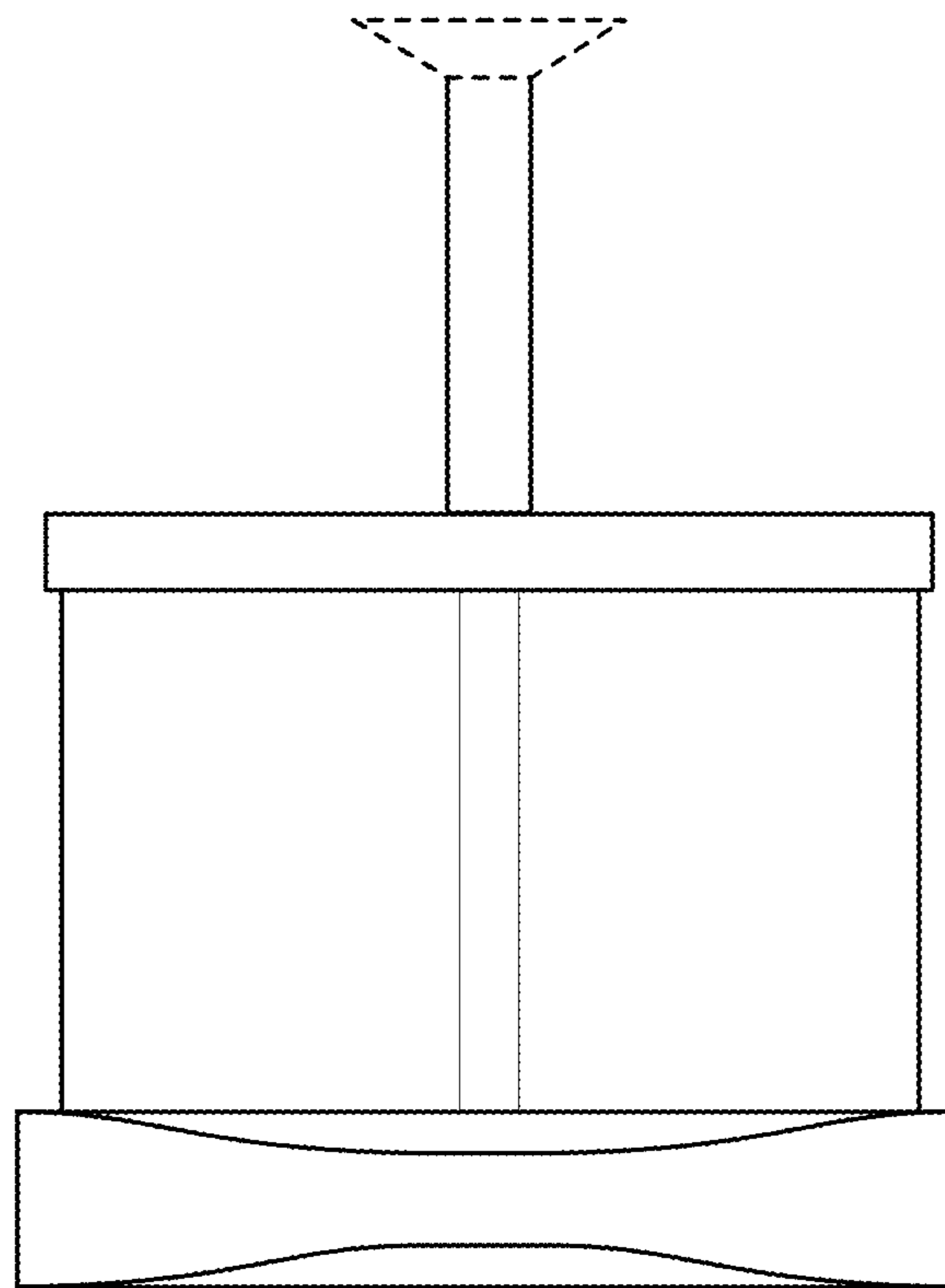


FIG. 6

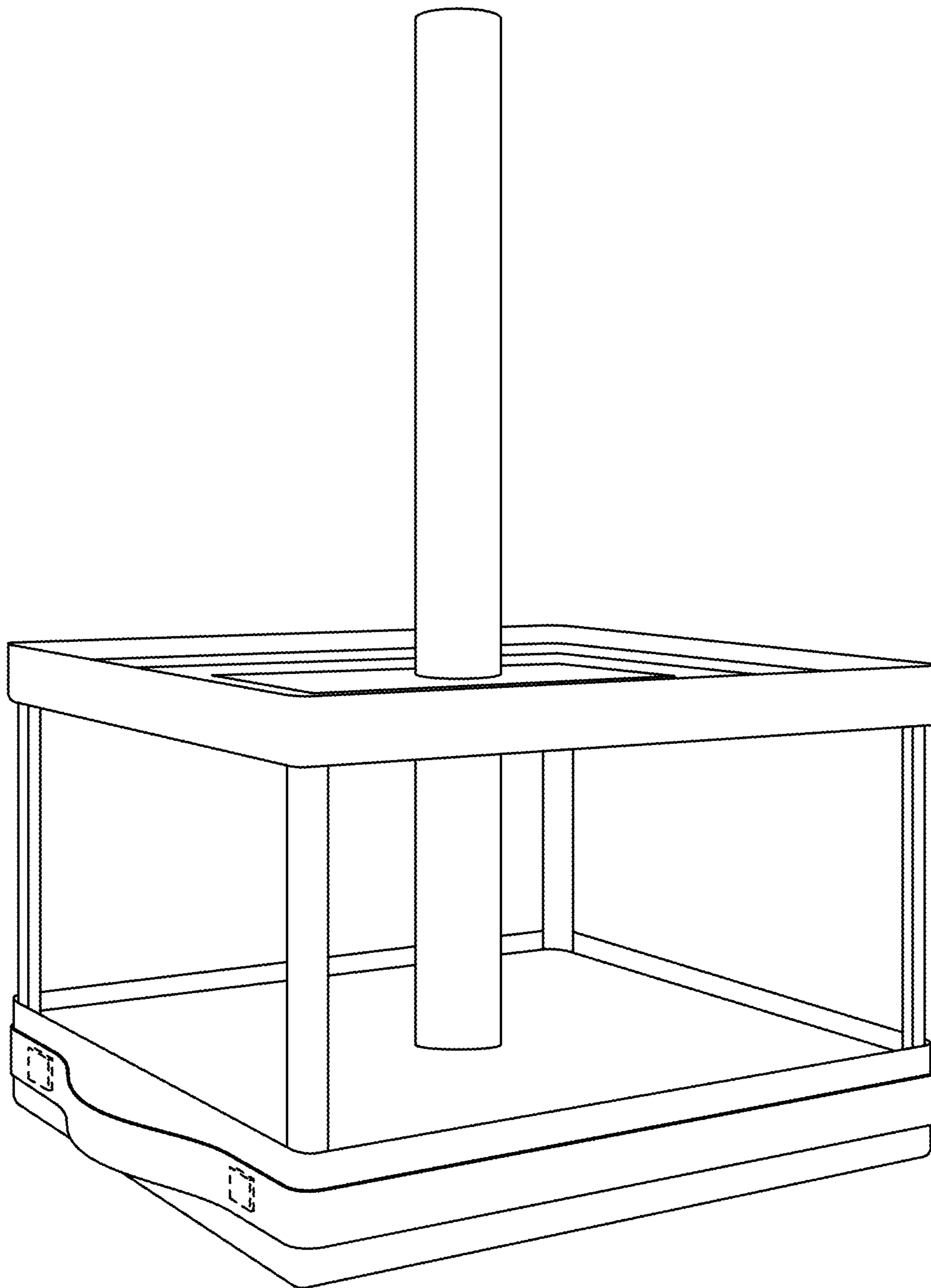


FIG. 7

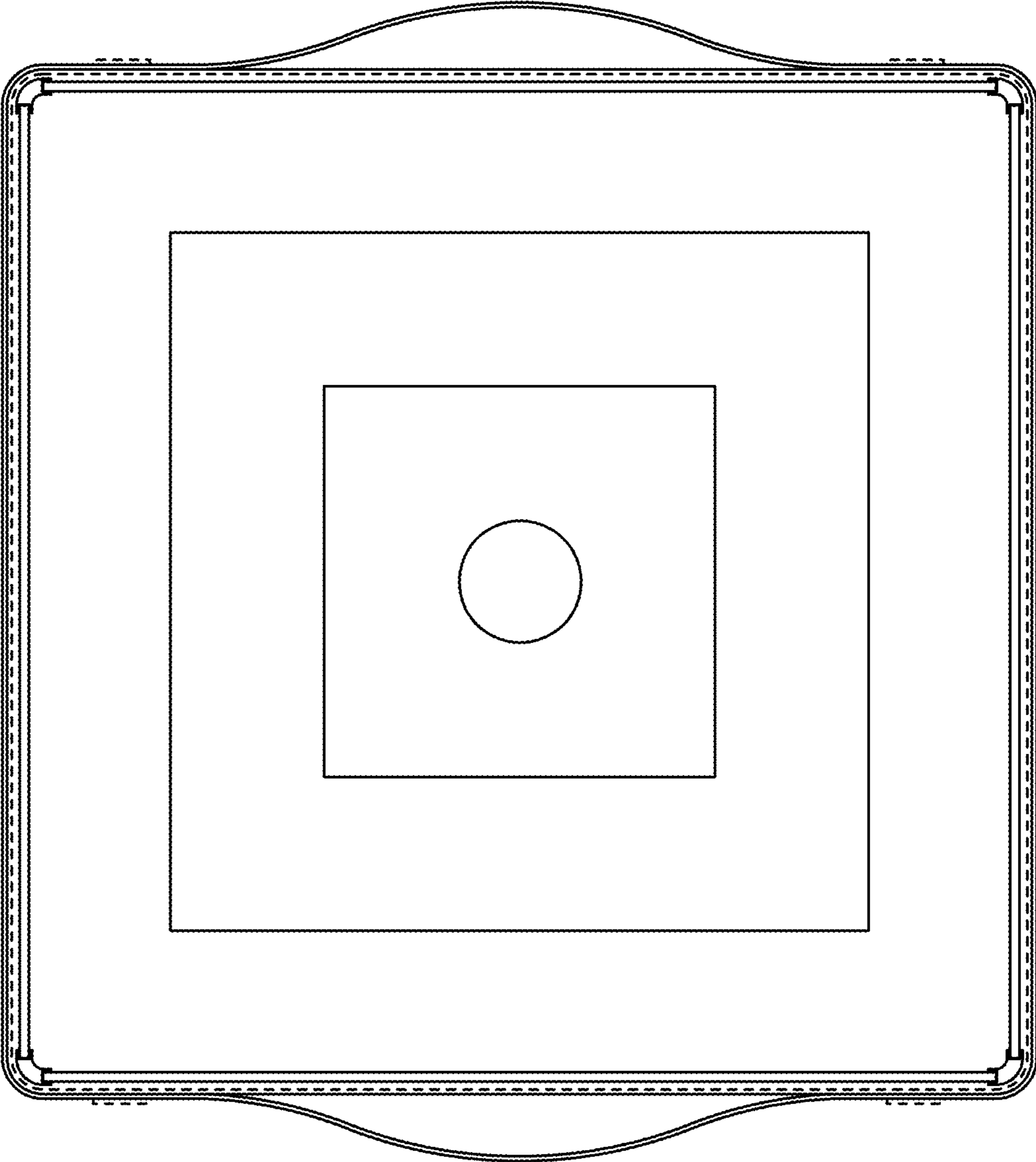


FIG. 8

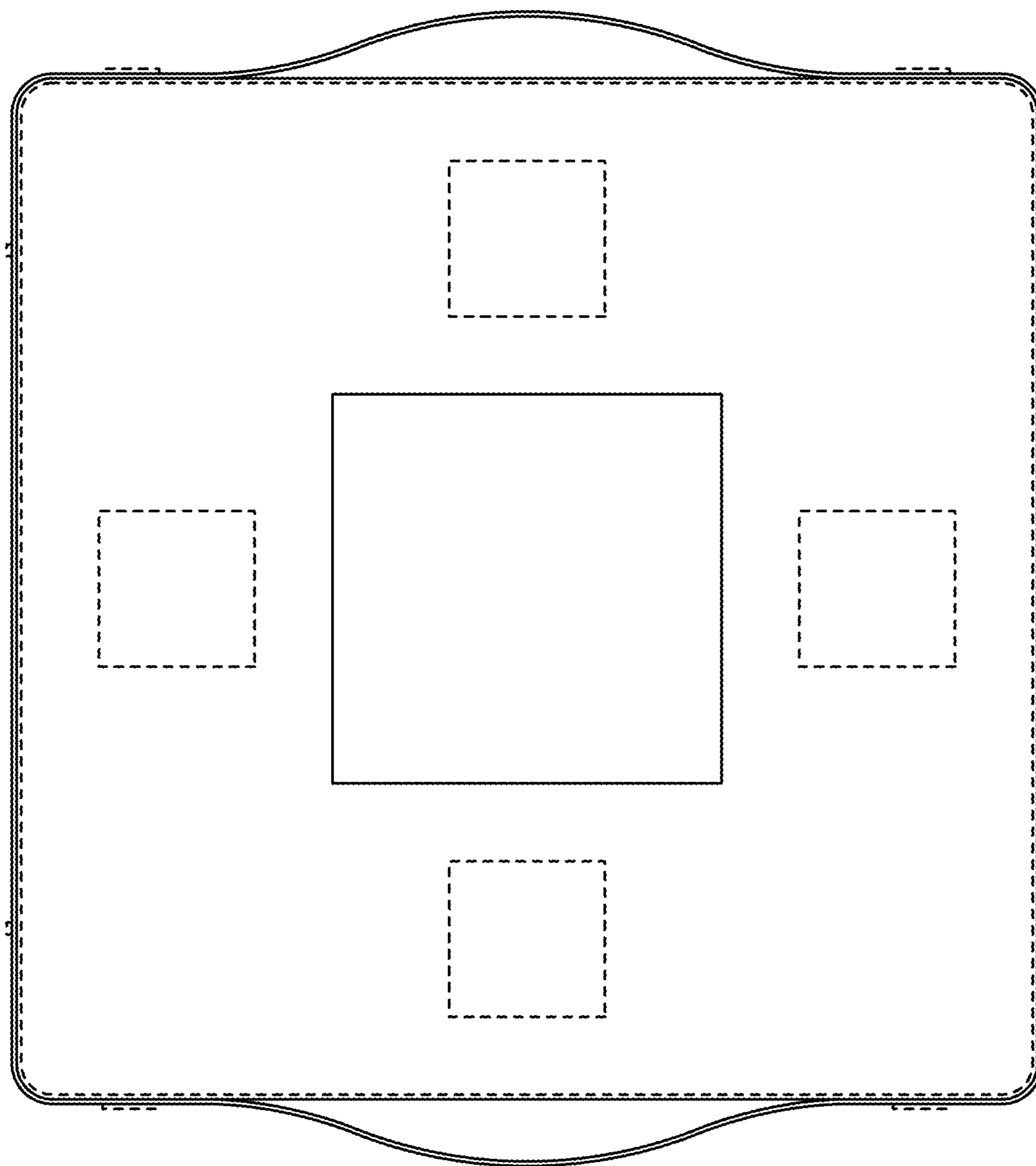


FIG. 9

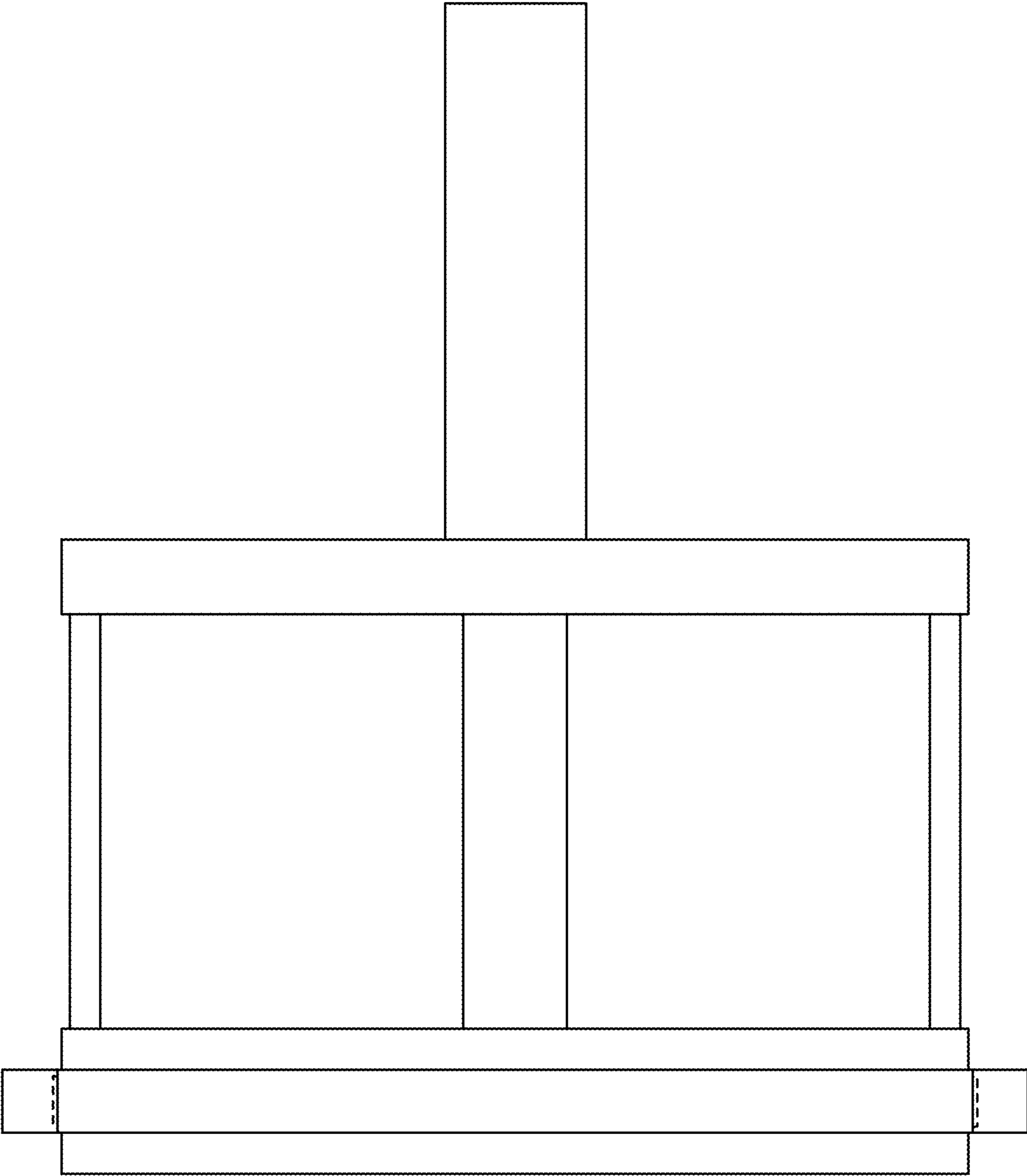


FIG. 10

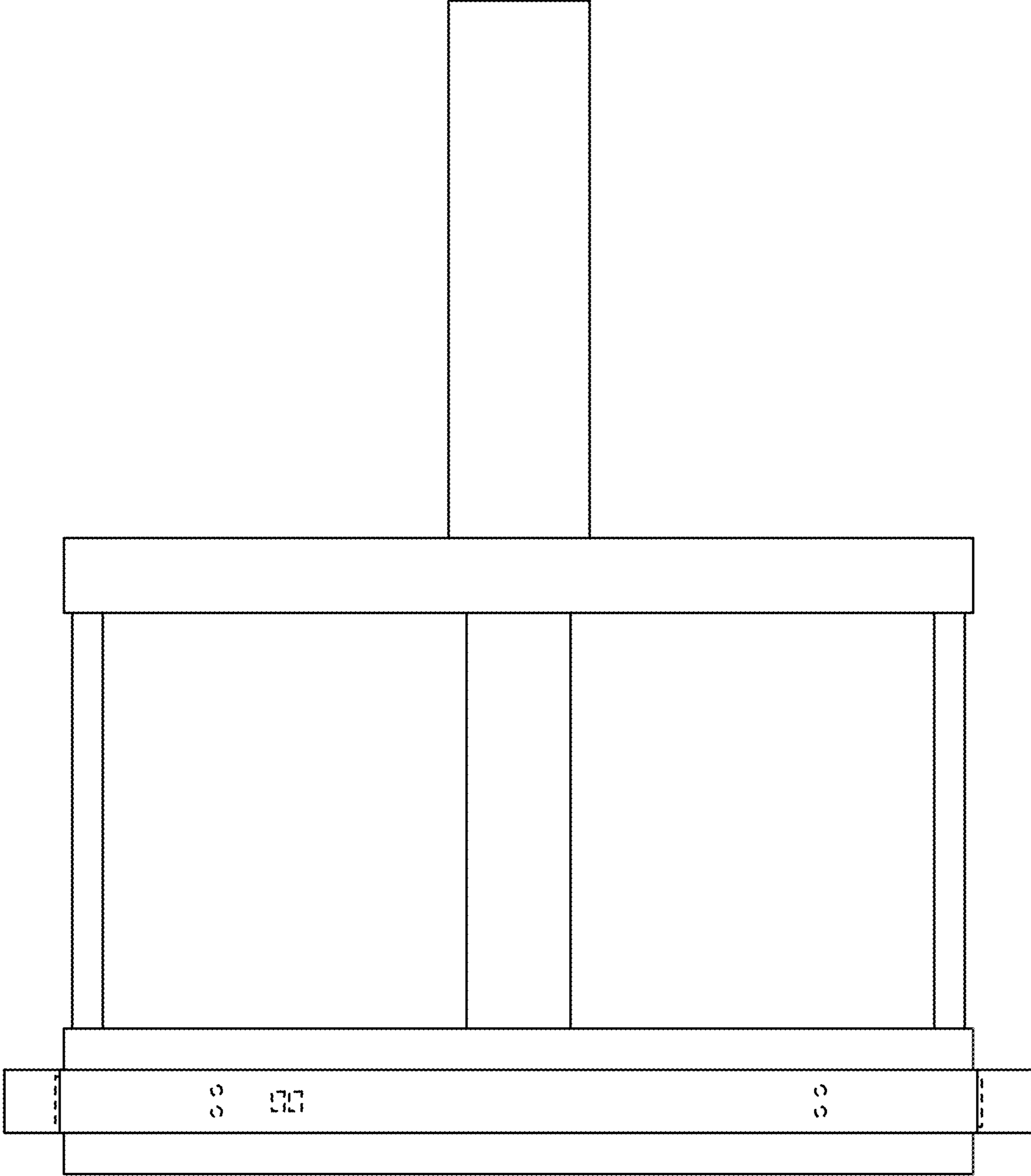


FIG. 11

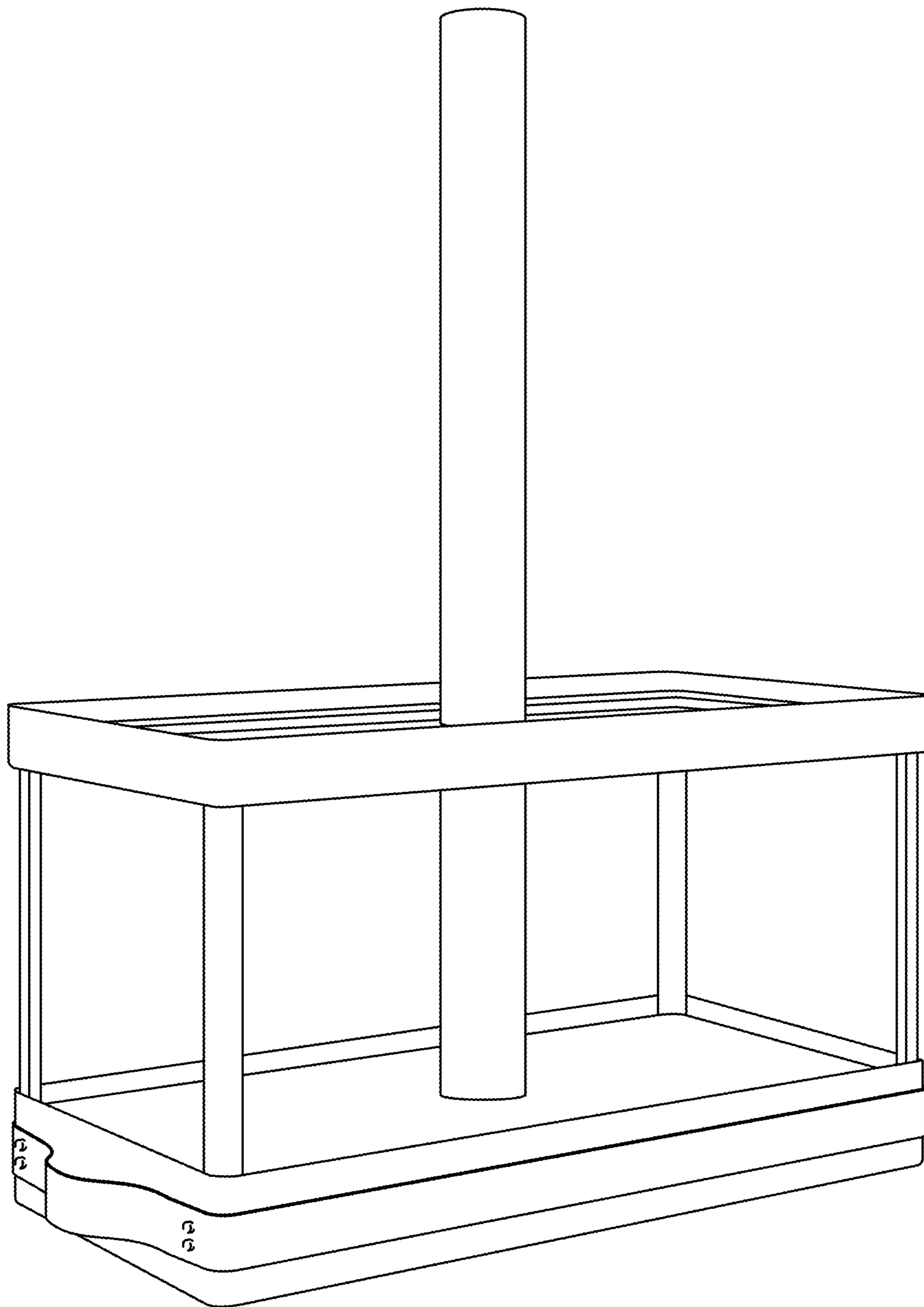


FIG. 12

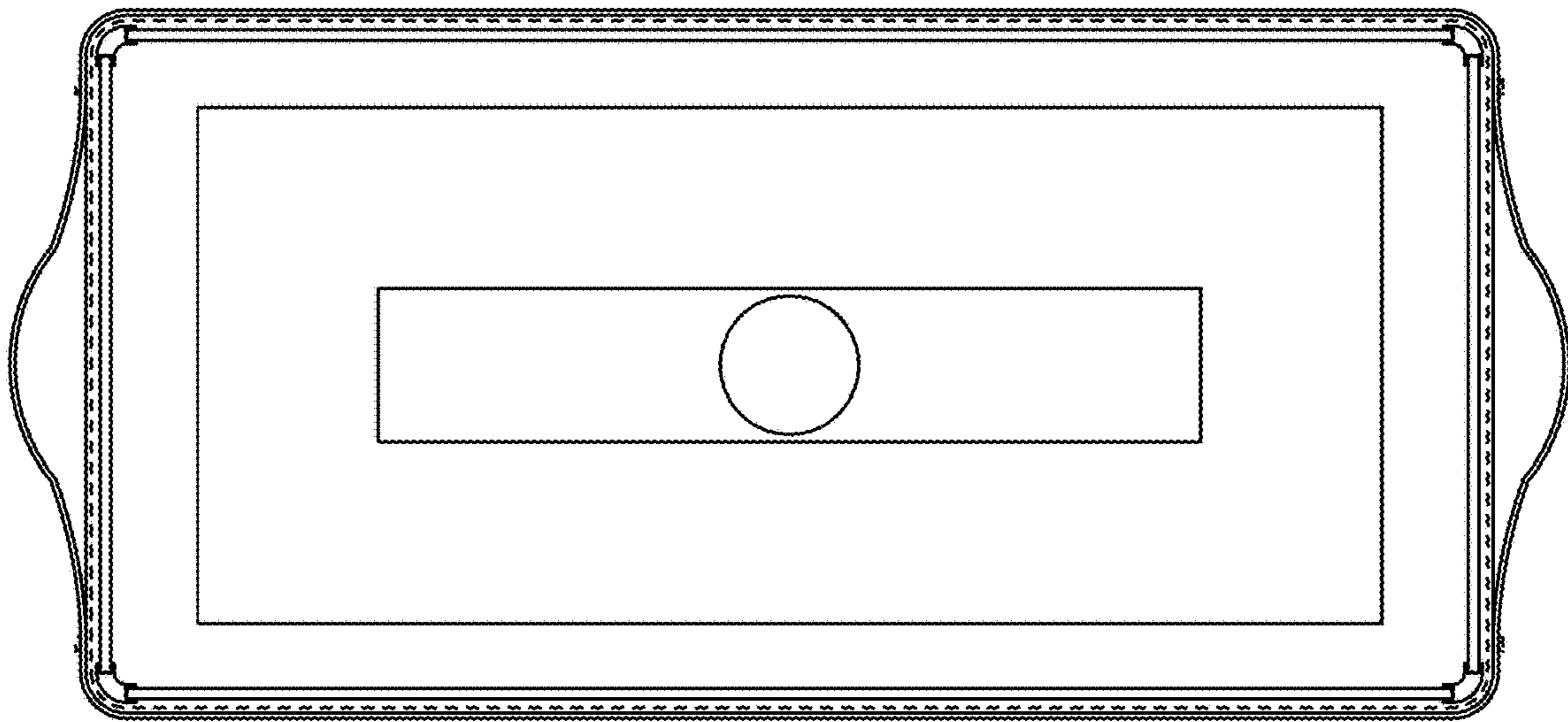


FIG. 13

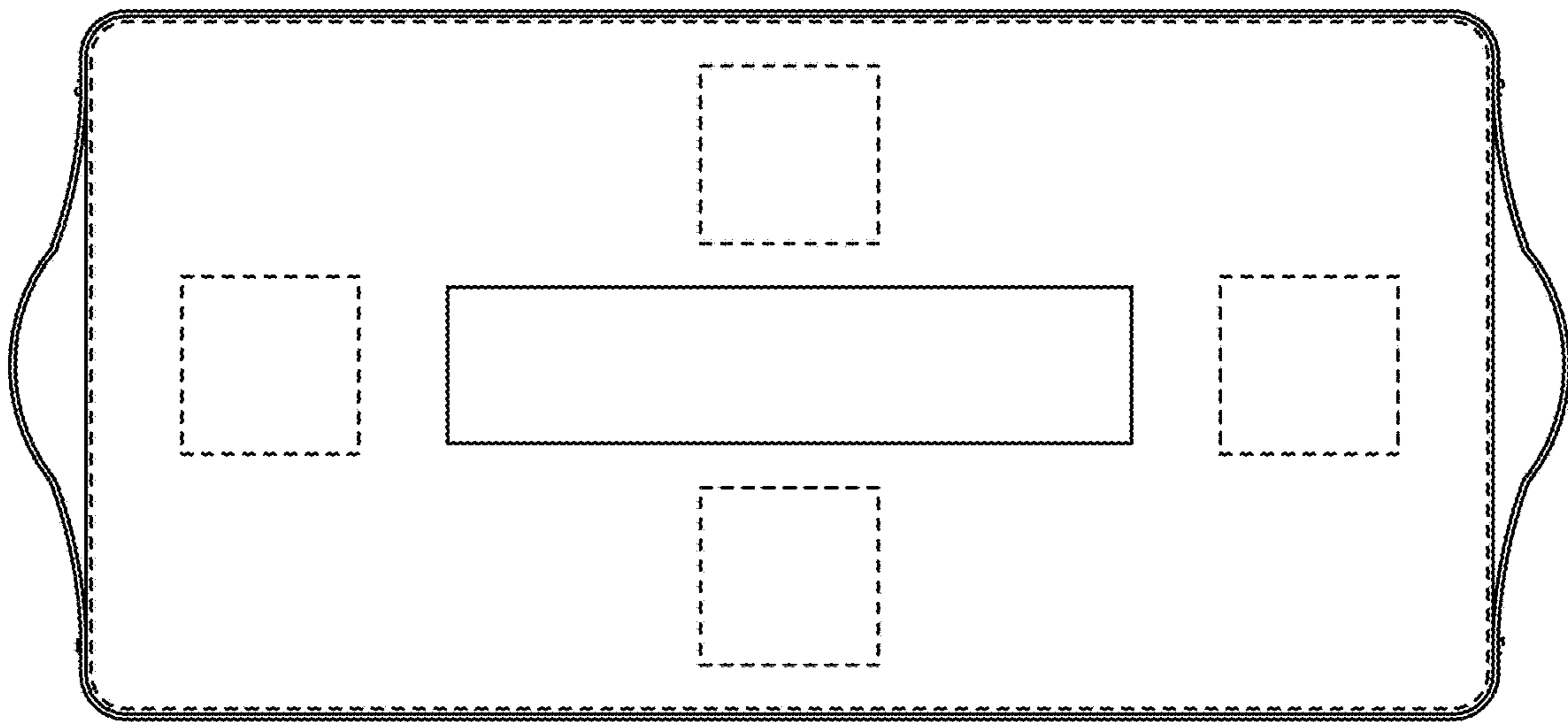


FIG. 14

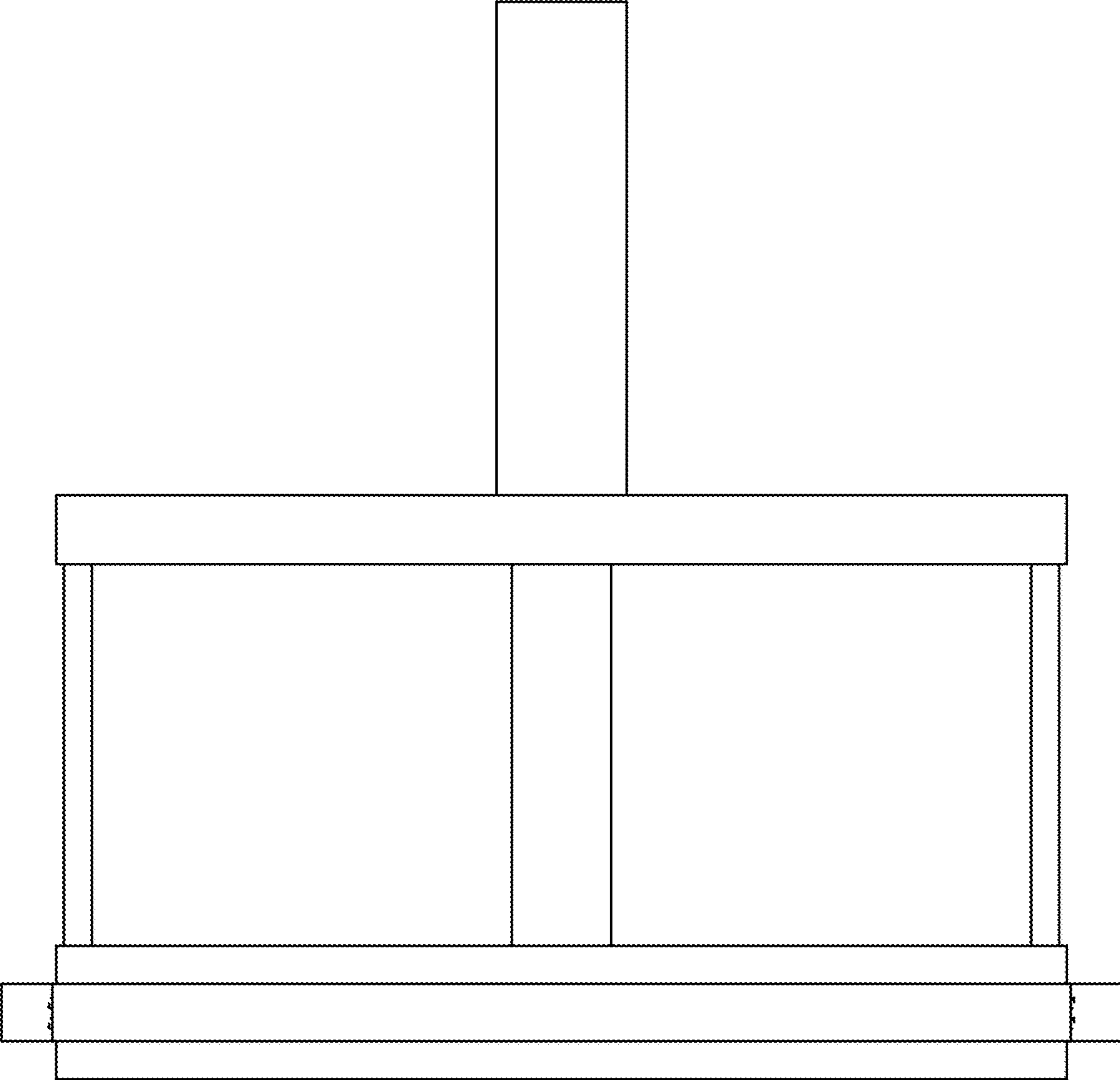


FIG. 15

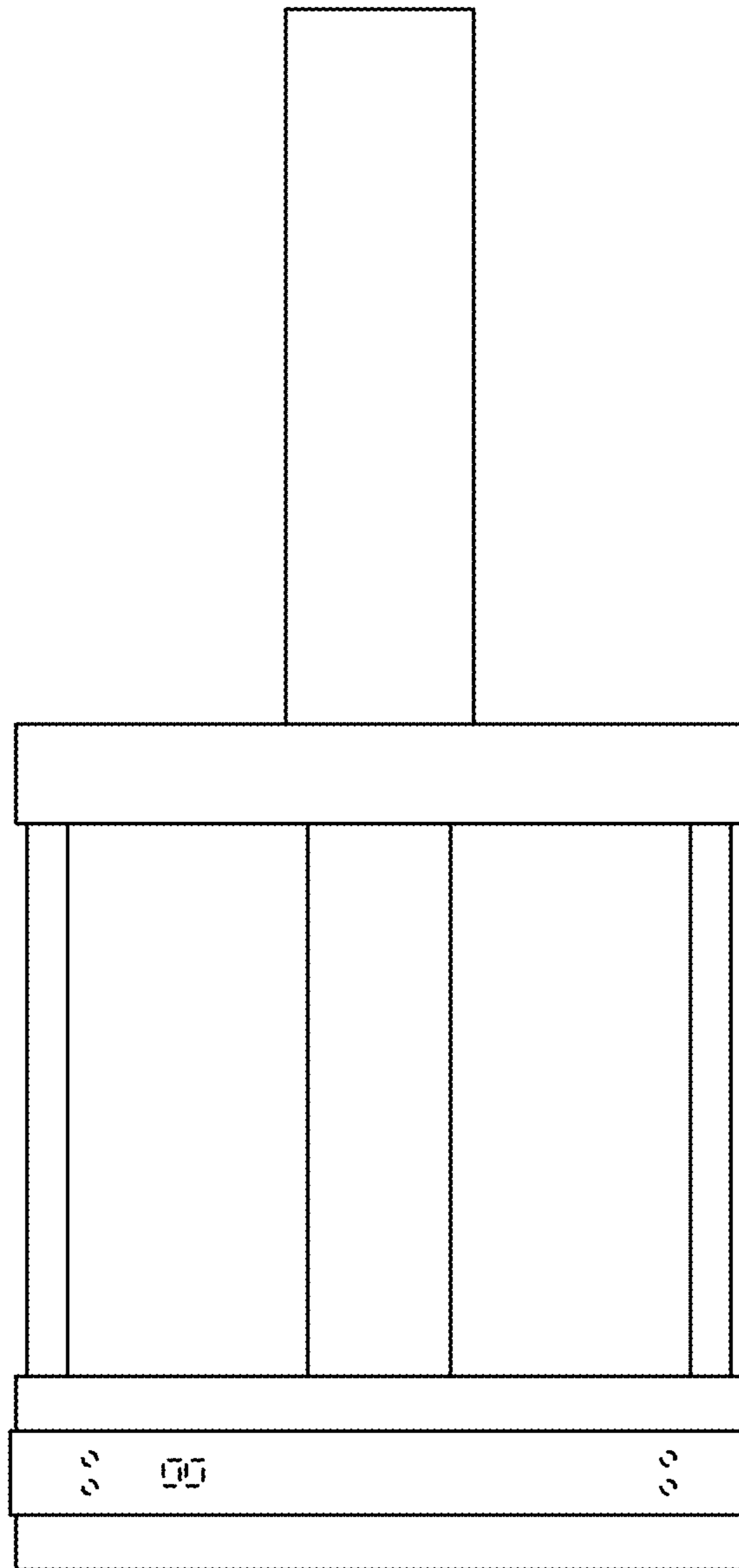


FIG. 16