



US00D797516S

(12) **United States Design Patent** (10) **Patent No.:** **US D797,516 S**
Meyers et al. (45) **Date of Patent:** **** Sep. 19, 2017**

(54) **LID FOR A CONTAINER**
(71) Applicant: **RUNWAY BLUE, LLC**, Lehi, UT (US)
(72) Inventors: **David O. Meyers**, East Layton, UT (US); **Steven M. Sorensen**, Alpine, UT (US)
(73) Assignee: **Runway Blue, LLC**, Alpine, UT (US)
(**) Term: **14 Years**
(21) Appl. No.: **29/520,164**
(22) Filed: **Mar. 11, 2015**
(51) **LOC (10) Cl.** **07-06**
(52) **U.S. Cl.**
USPC **D7/589**
(58) **Field of Classification Search**
USPC D7/305, 306, 308-313, 32, 510, 511, D7/589, 602; 99/290, 323.2; 222/144.5, 222/146.1, 185.1

(Continued)

(56) **References Cited**

U.S. PATENT DOCUMENTS

2,378,451 A 6/1945 Vensel
2,272,867 A 2/1949 Cobel
(Continued)

FOREIGN PATENT DOCUMENTS

EP 0714834 6/1996
EP 1127801 8/2001
(Continued)

OTHER PUBLICATIONS

Office Action from U.S. Appl. No. 14/645,201 dated Nov. 22, 2016.
(Continued)

Primary Examiner — Robin V Webster
Assistant Examiner — Rachel Voorhies

(74) *Attorney, Agent, or Firm* — Maschoff Brennan

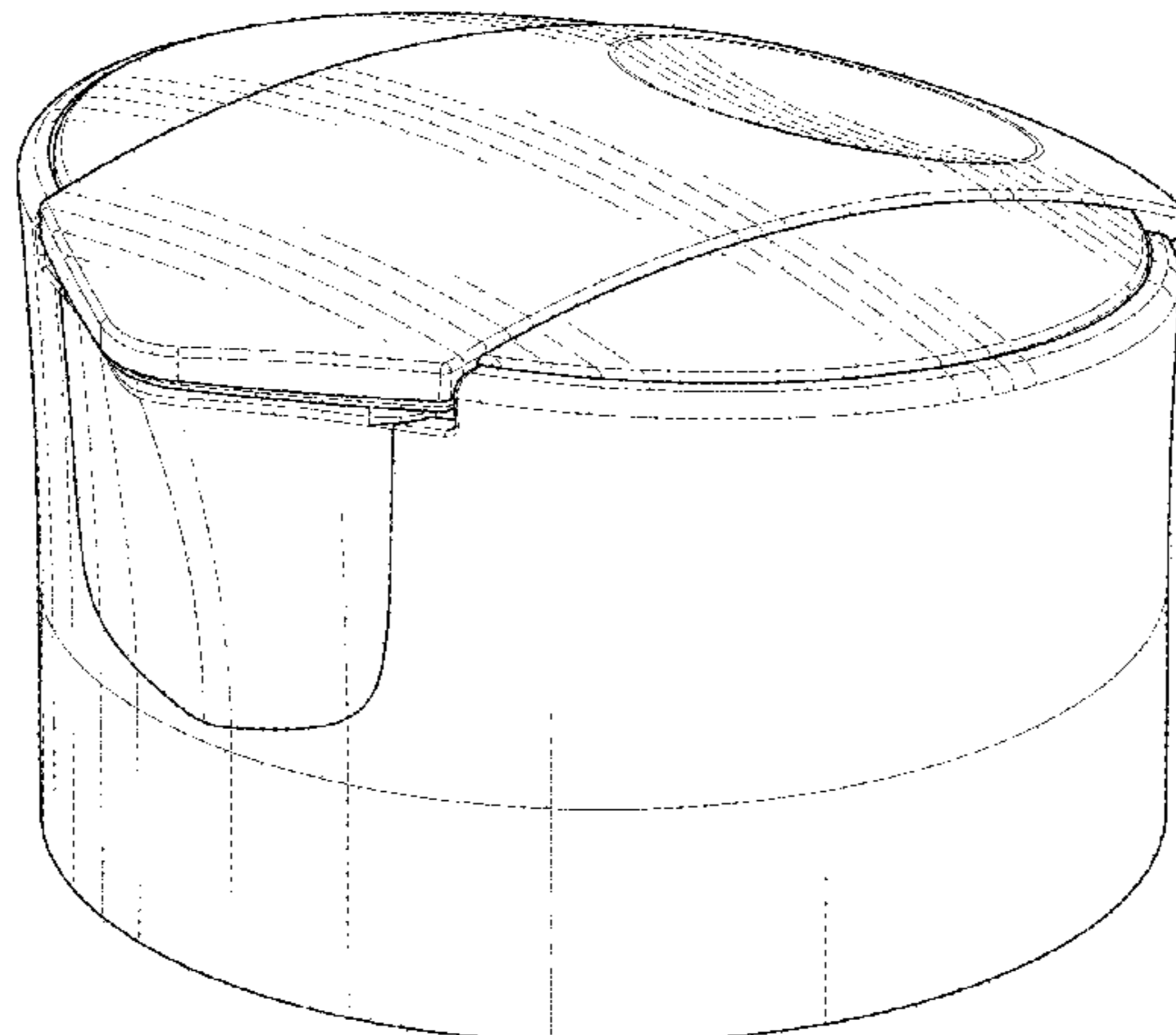
(57) **CLAIM**

The ornamental design for a lid for a container, as shown and described.

DESCRIPTION

FIG. 1 is an upper left perspective view of a lid for a container, illustrating the container in a closed position; FIG. 2 is an upper right perspective view of the lid for a container shown in FIG. 1; FIG. 3 is a lower right perspective view of the lid for a container shown in FIG. 1; FIG. 4 is a left side view of the lid for a container shown in FIG. 1; FIG. 5 is a right side view of the lid for a container shown in FIG. 1; FIG. 6 is a rear view of the lid for a container shown in FIG. 1; FIG. 7 is a front view of the lid for a container shown in FIG. 1; FIG. 8 is a top view of the lid for a container shown in FIG. 1; FIG. 9 is a bottom view of the lid for a container shown in FIG. 1; FIG. 10 is an upper left perspective view of a lid for a container, illustrating the container in an open position; FIG. 11 is an upper right perspective view of the lid for a container shown in FIG. 10; FIG. 12 is a lower right perspective view of the lid for a container shown in FIG. 10; FIG. 13 is a left side view of the lid for a container shown in FIG. 10; FIG. 14 is a right side view of the lid for a container shown in FIG. 10; FIG. 15 is a rear view of the lid for a container shown in FIG. 10; FIG. 16 is a front view of the lid for a container shown in FIG. 10; FIG. 17 is a top view of the lid for a container shown in FIG. 10; and, FIG. 18 is a bottom view of the lid for a container shown in FIG. 10.

(Continued)



The broken lines in the drawings illustrate portions of the lid for a container which form no part of the claimed design.

1 Claim, 18 Drawing Sheets

(58) Field of Classification Search

CPC B65D 1/02; B65D 1/0207
See application file for complete search history.

(56) References Cited

U.S. PATENT DOCUMENTS

D206,345 S * 11/1966 Kelly D7/321
3,853,250 A 12/1974 Alpern
4,203,529 A 5/1980 Torassa
4,776,501 A 10/1988 Ostrowsky
5,205,424 A 4/1993 Gaspar
5,894,965 A 4/1999 Robbins, III
D453,446 S * 2/2002 Bodum D7/316
D657,629 S * 4/2012 Olson D7/510
D667,694 S * 9/2012 Meyers D7/510
D667,964 S 9/2012 Chung
8,286,813 B2 10/2012 Eklund
D676,280 S * 2/2013 Wong D7/510

D715,655 S * 10/2014 Brewer D9/529
D721,972 S * 2/2015 Brewer D9/529
D722,272 S * 2/2015 Brewer D9/529
D723,930 S * 3/2015 Brewer D9/529
D736,563 S * 8/2015 George D7/510
D758,869 S * 6/2016 Blake D9/529
D763,622 S * 8/2016 Shirley D7/511
2013/0062351 A1 3/2013 Meyers

FOREIGN PATENT DOCUMENTS

JP 1391631 7/2010
KR 30-0733216 3/2014
KR 30-0733216 6/2014
KR 30-0733216-1 7/2014

OTHER PUBLICATIONS

U.S. Appl. No. 14/645,201, filed Mar. 11, 2015, Meyers, et al.
U.S. Appl. No. 29/520,164, filed Mar. 11, 2016, Meyers, et al.
Office Action from U.S. Appl. No. 14/645,201, dated Mar. 11, 2016.
2013-2014 Catalog, Xiamen Idlary Cooking Material Utensils Co., Ltd., p. 4, IDL-0016 (JPO Publicly Known Design No. HD25003505), cited in Japan Design Registration No. 1551537.

* cited by examiner

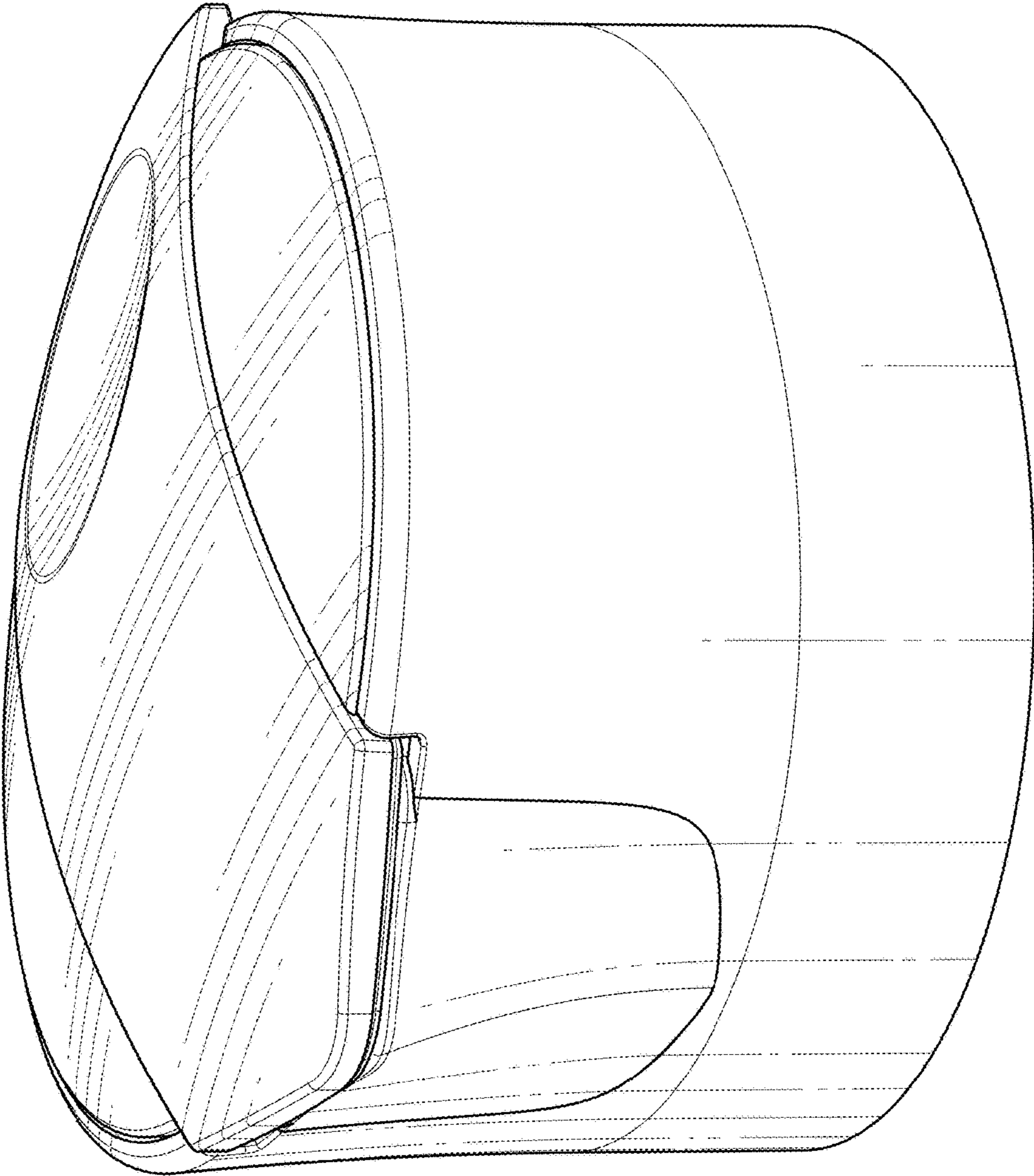


FIG. 1

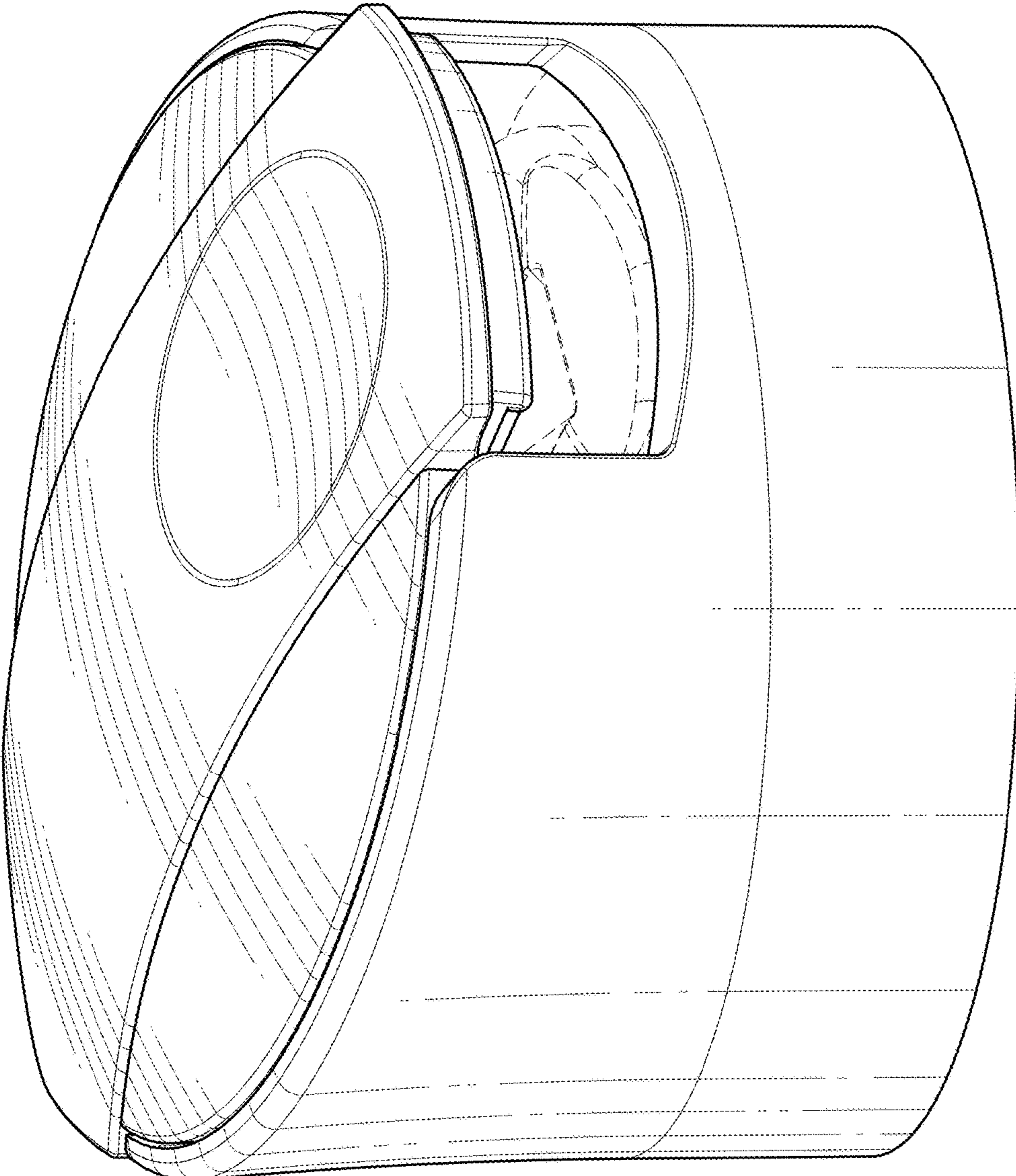


FIG. 2

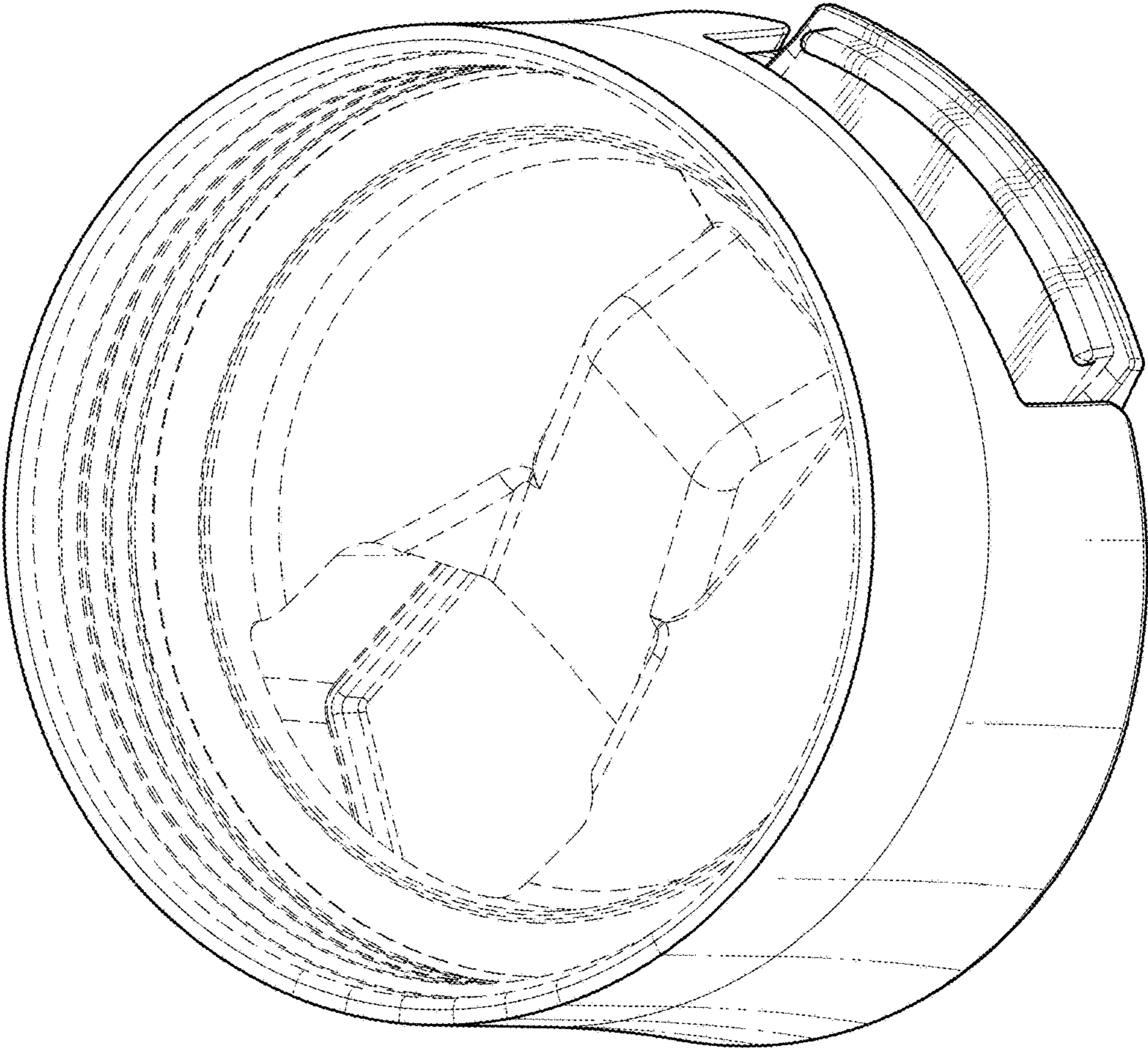


FIG. 3

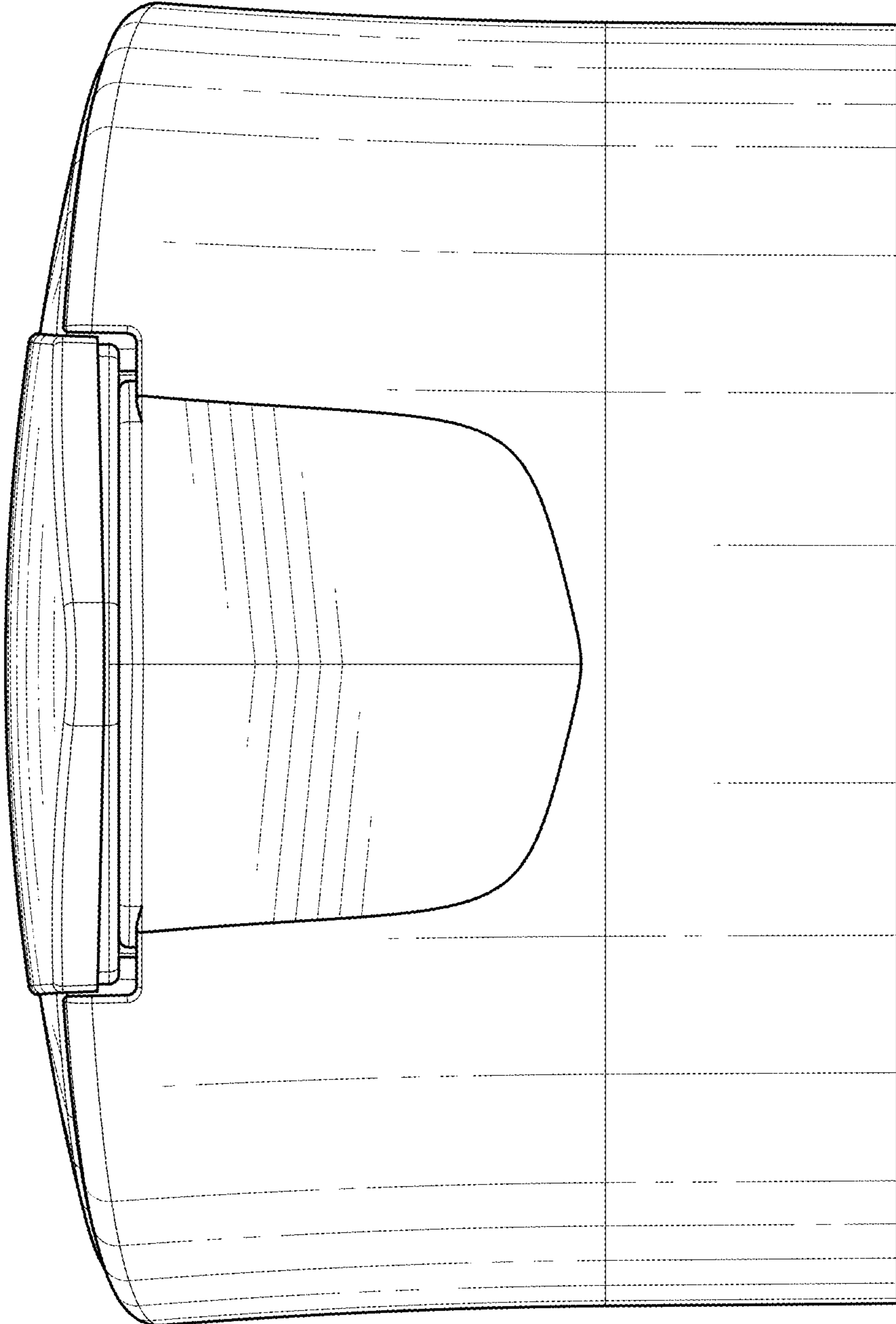


FIG. 4

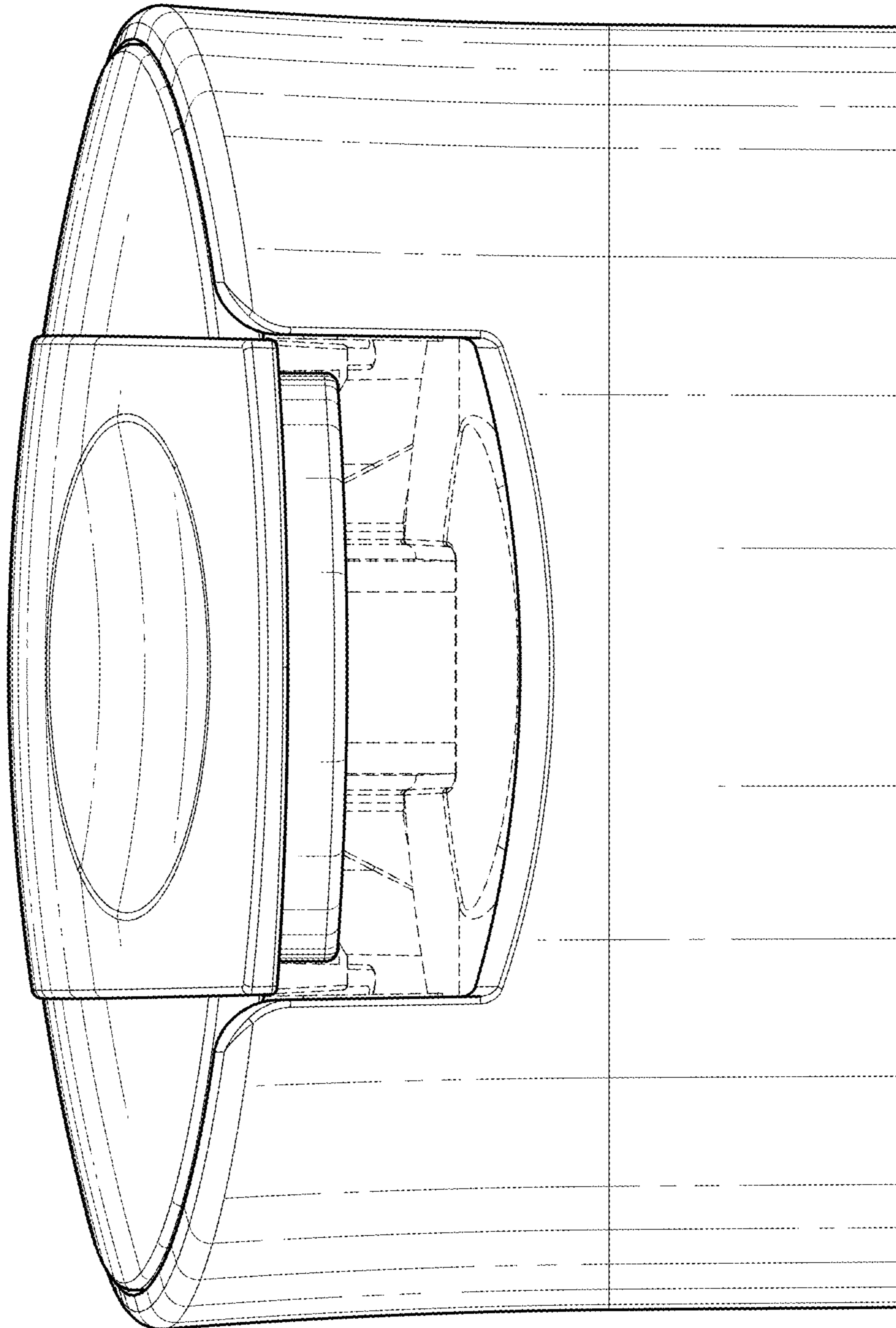


FIG. 5

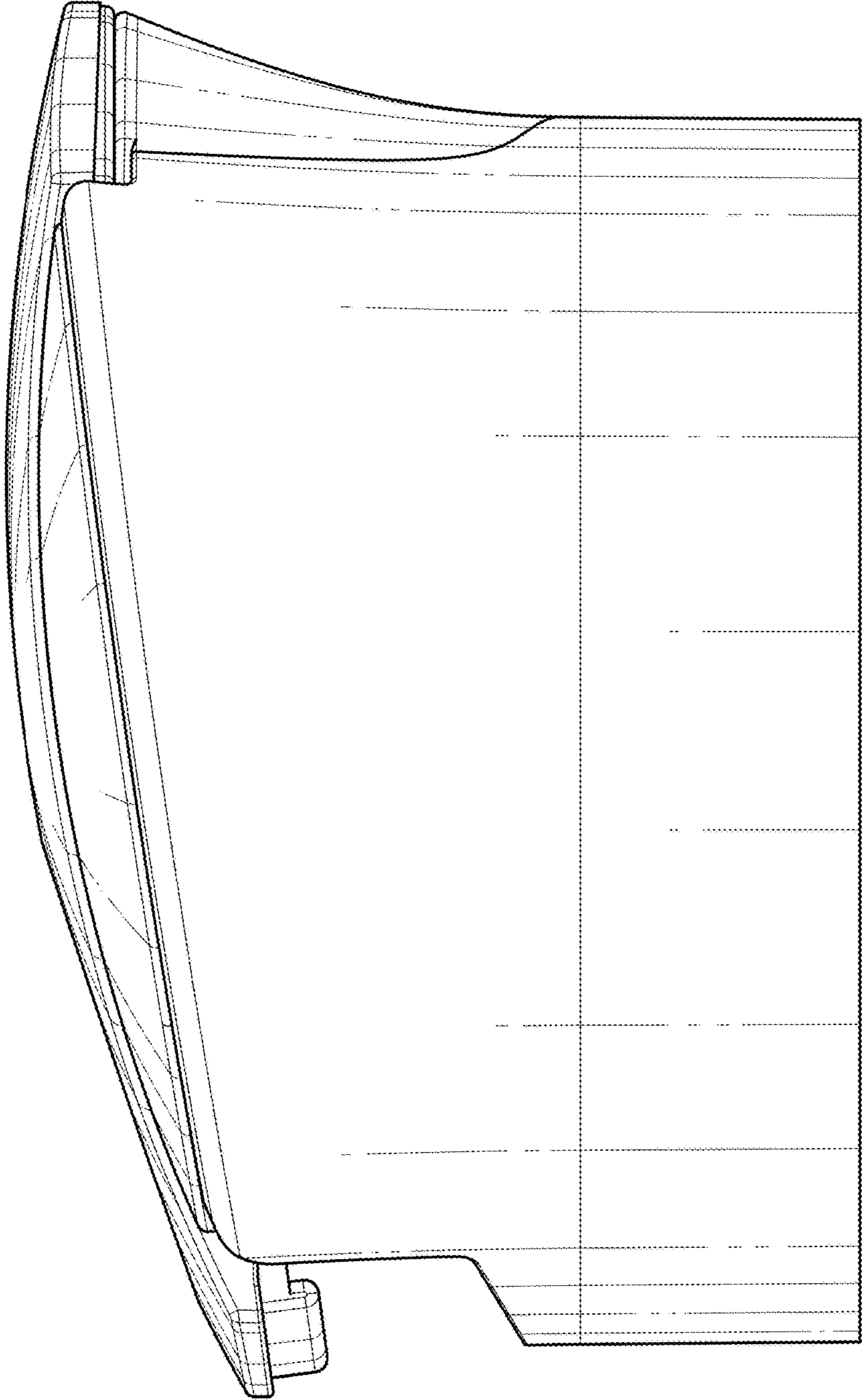


FIG. 6

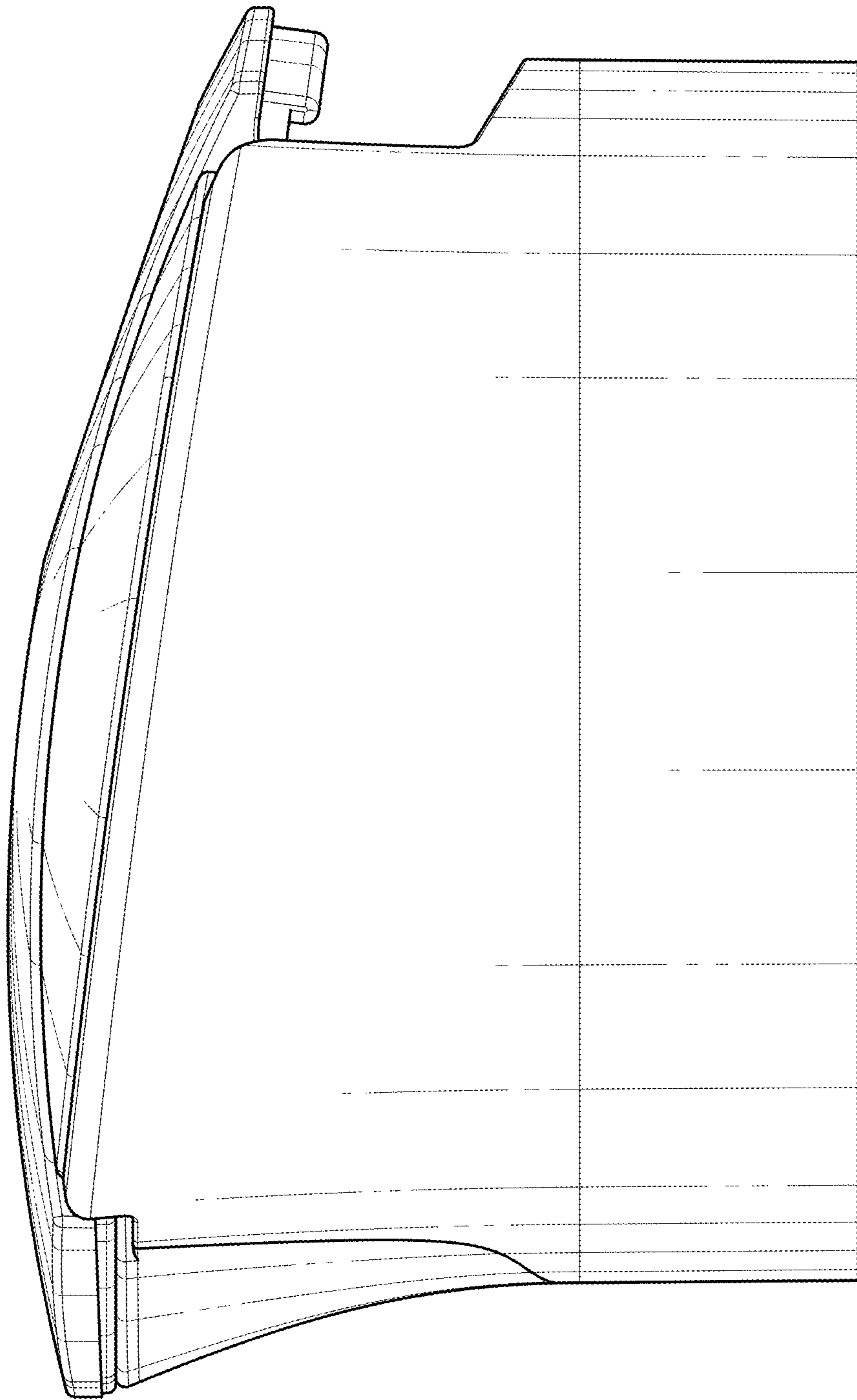


FIG. 7

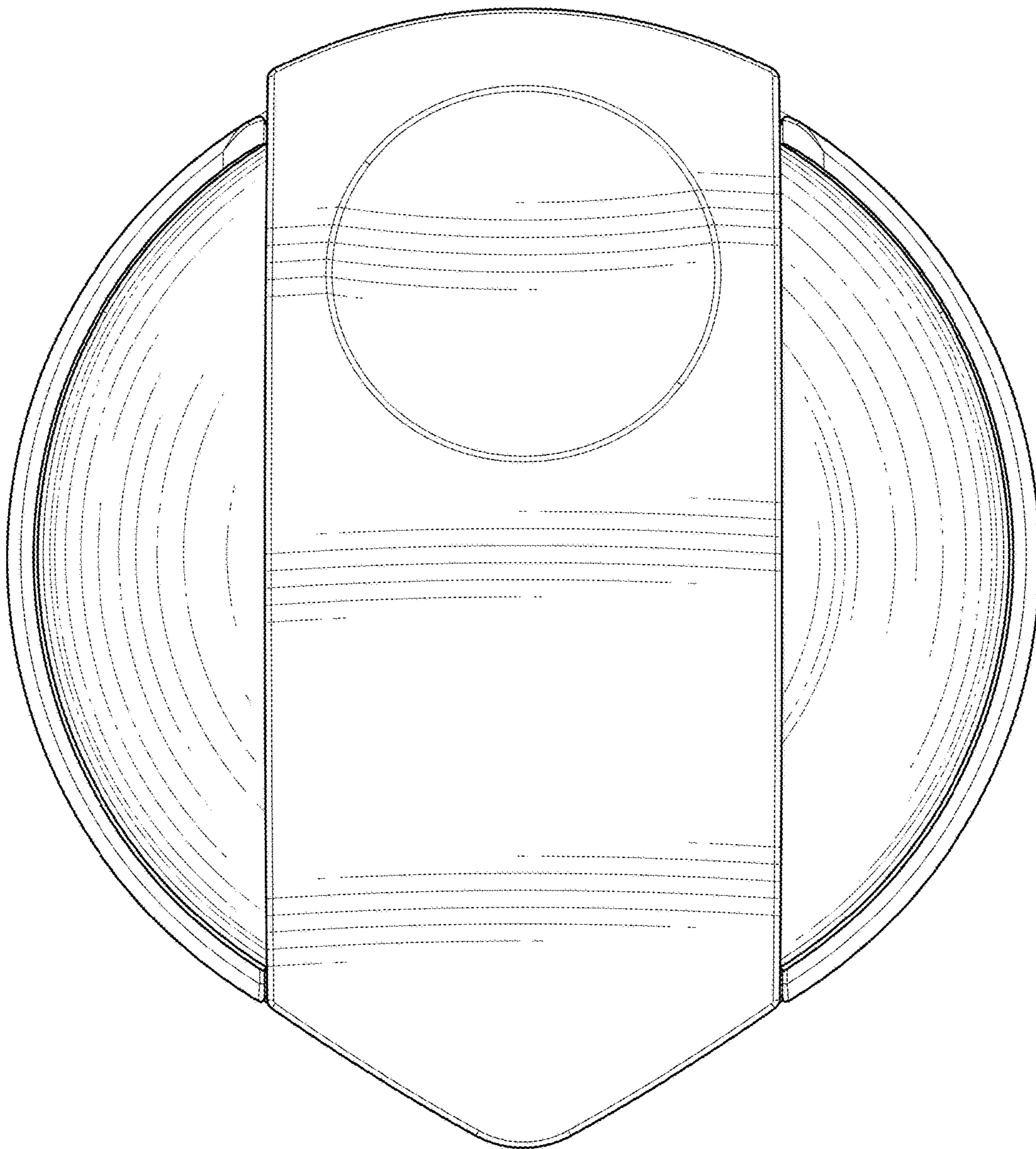


FIG. 8

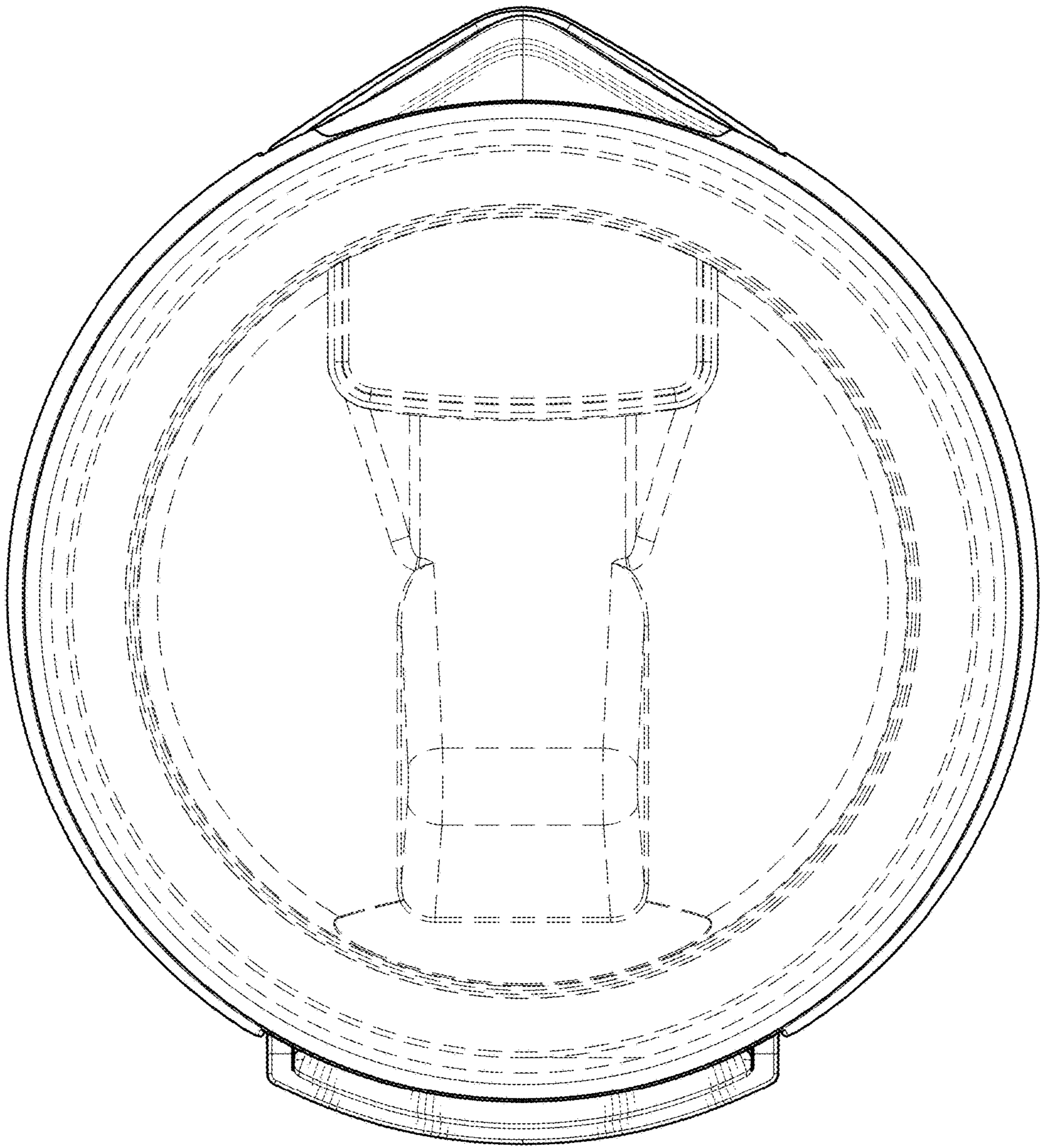


FIG. 9

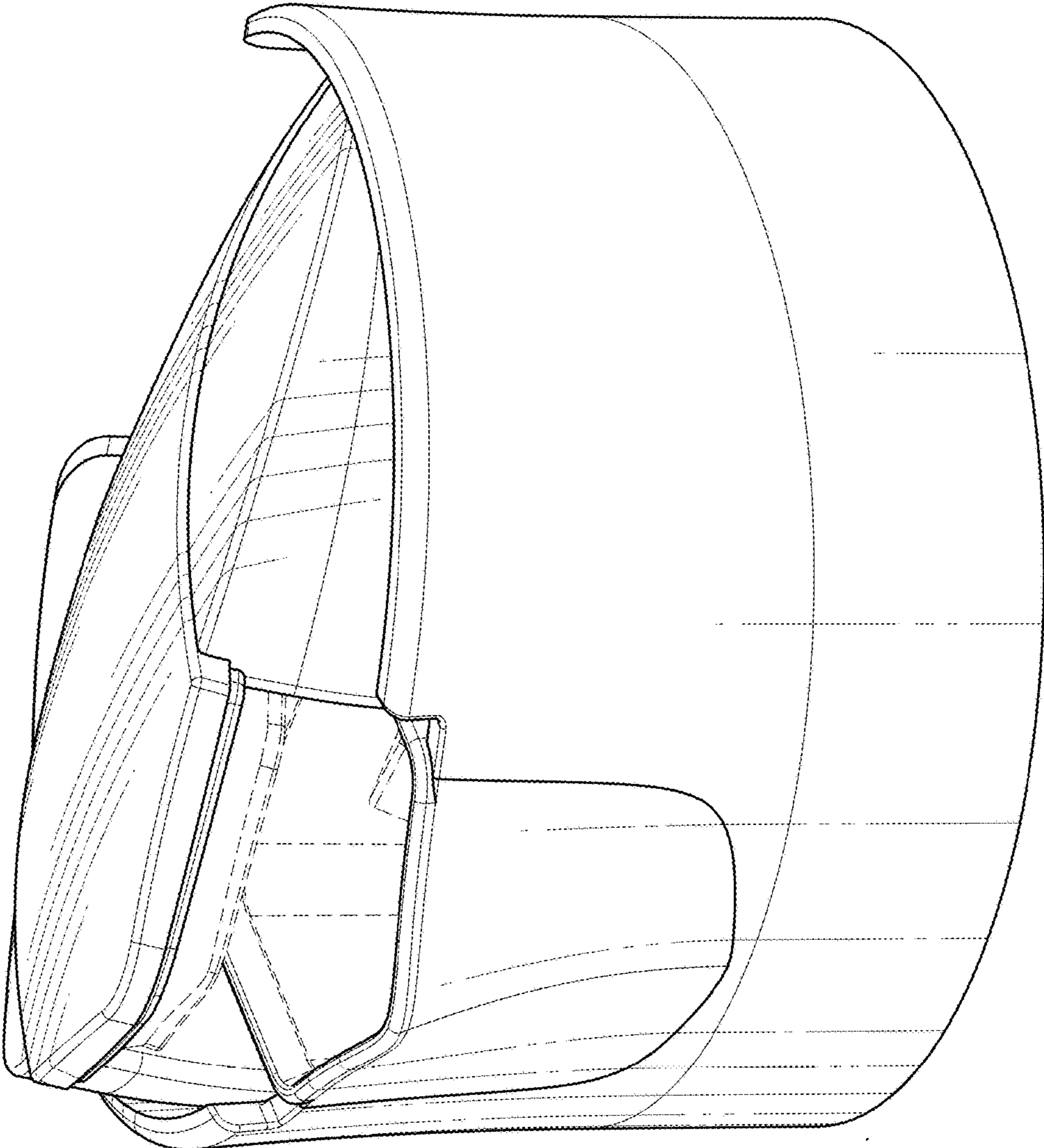


FIG. 10

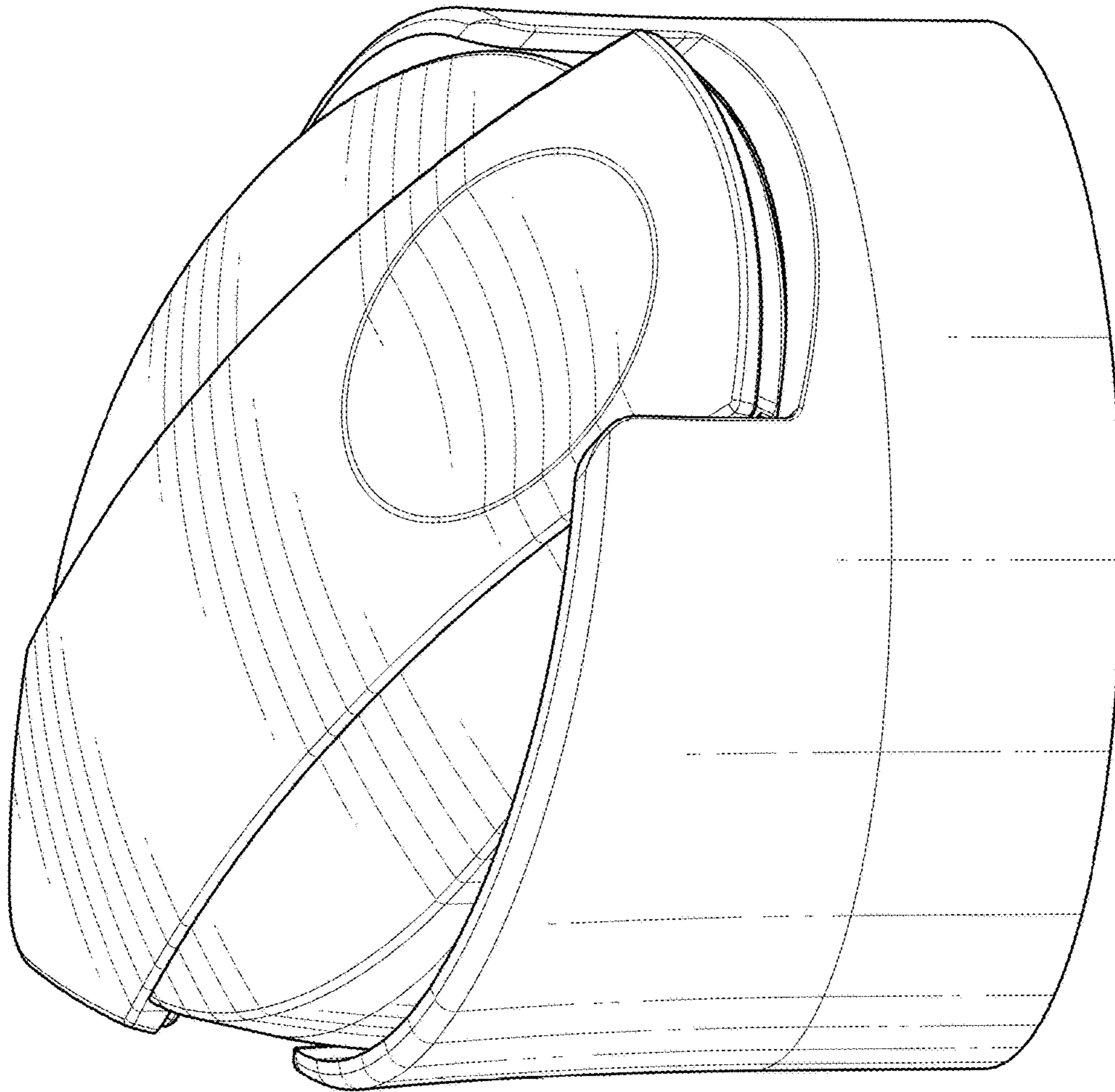


FIG. 11

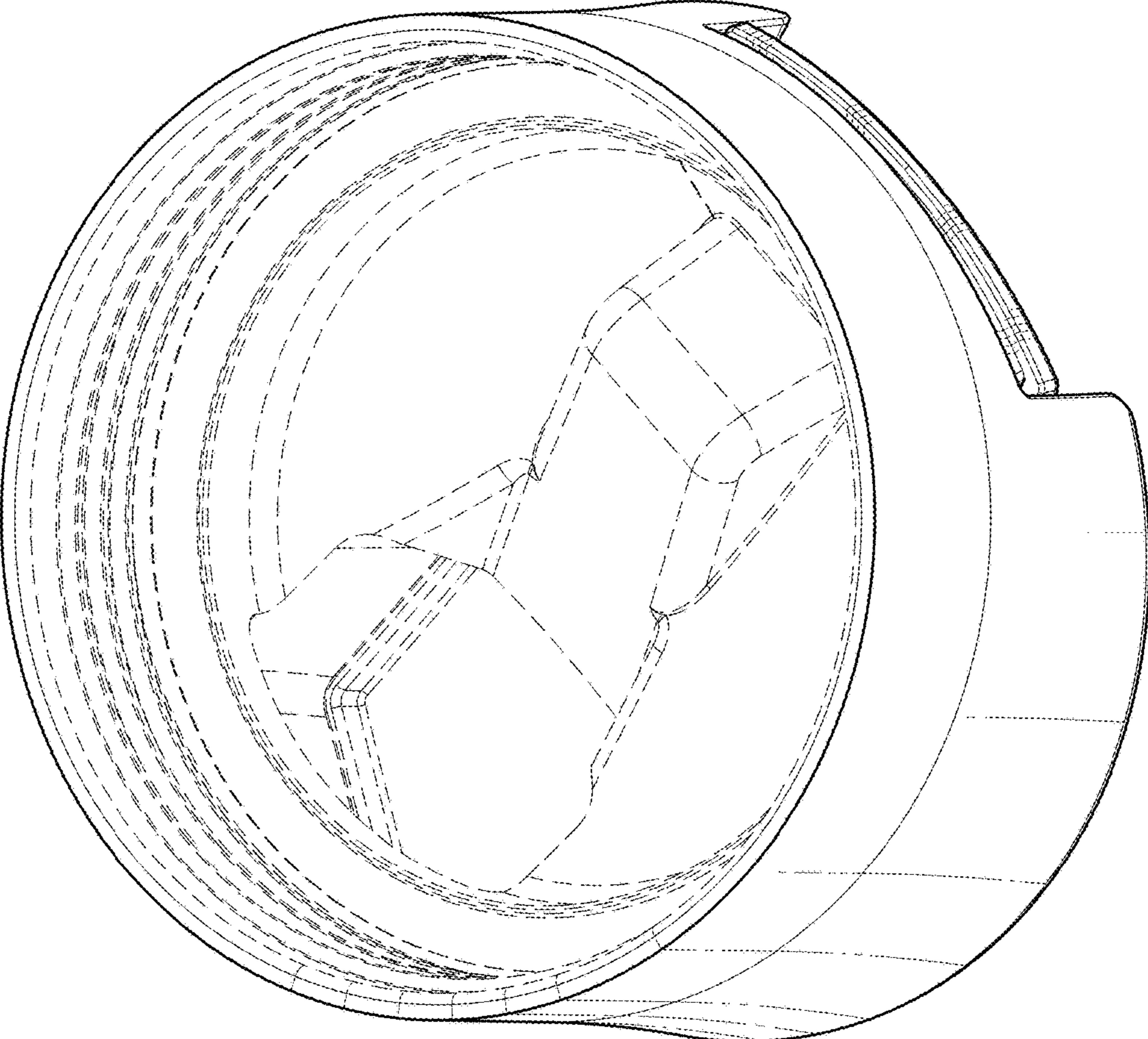


FIG. 12

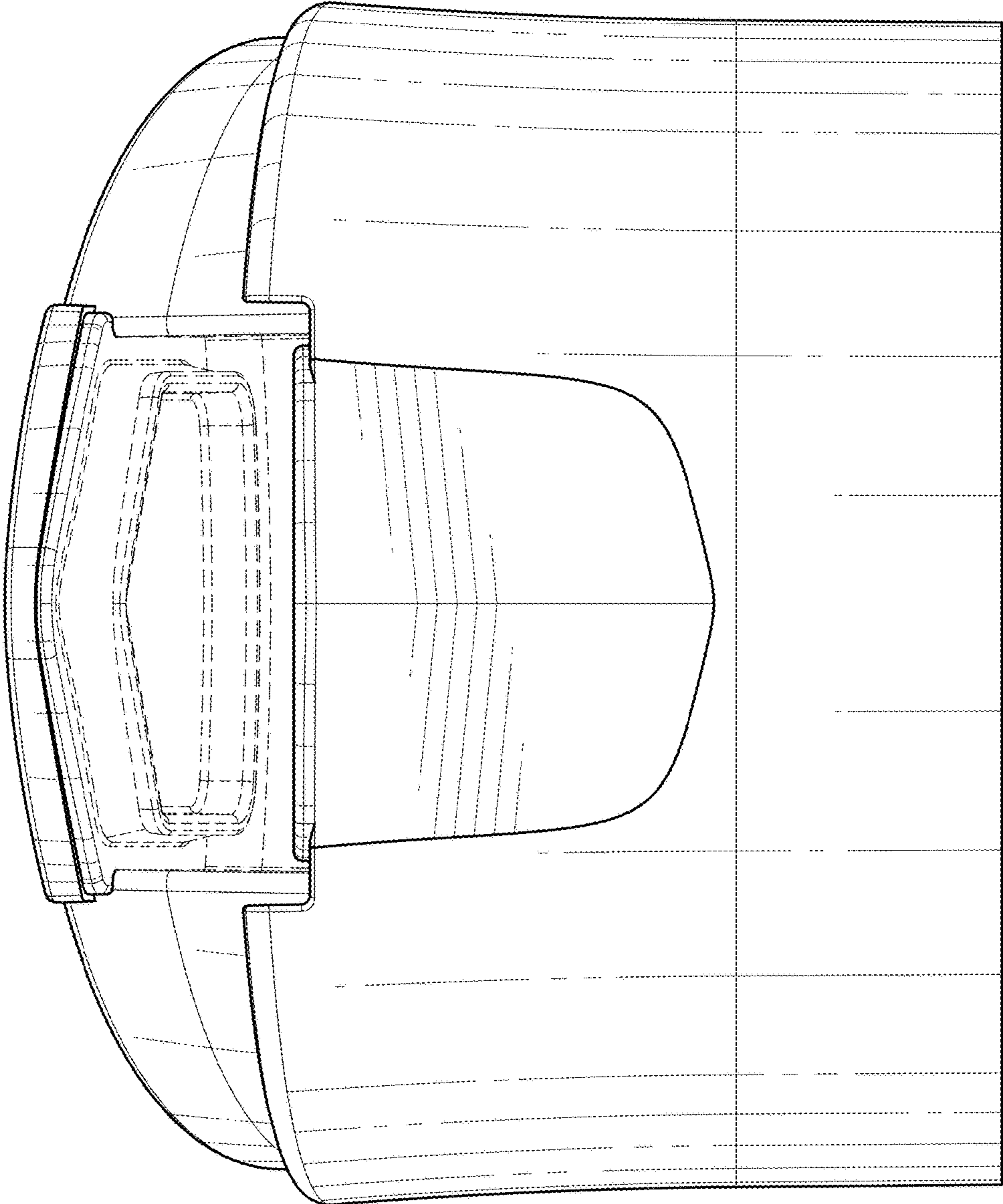


FIG. 13

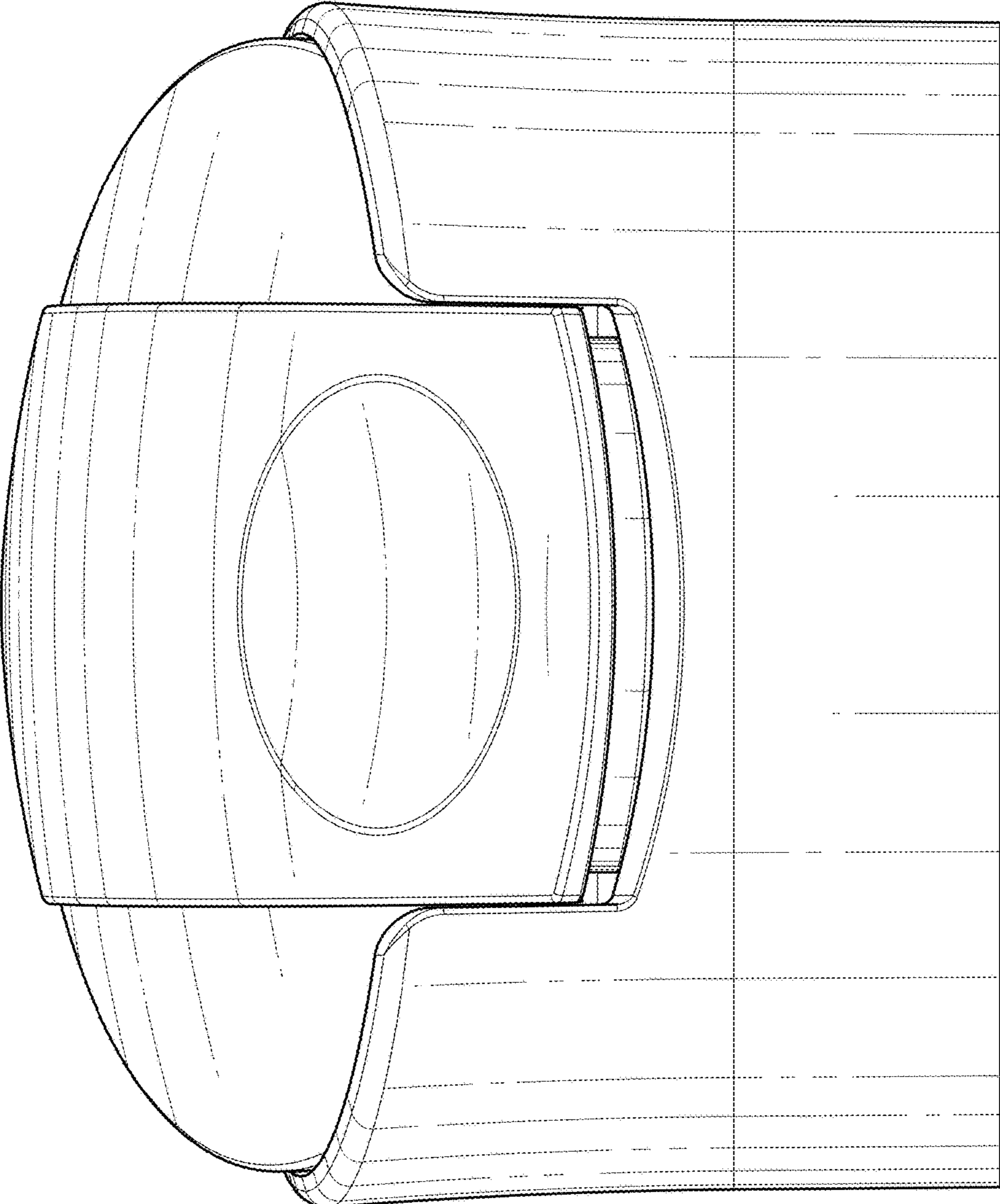


FIG. 14

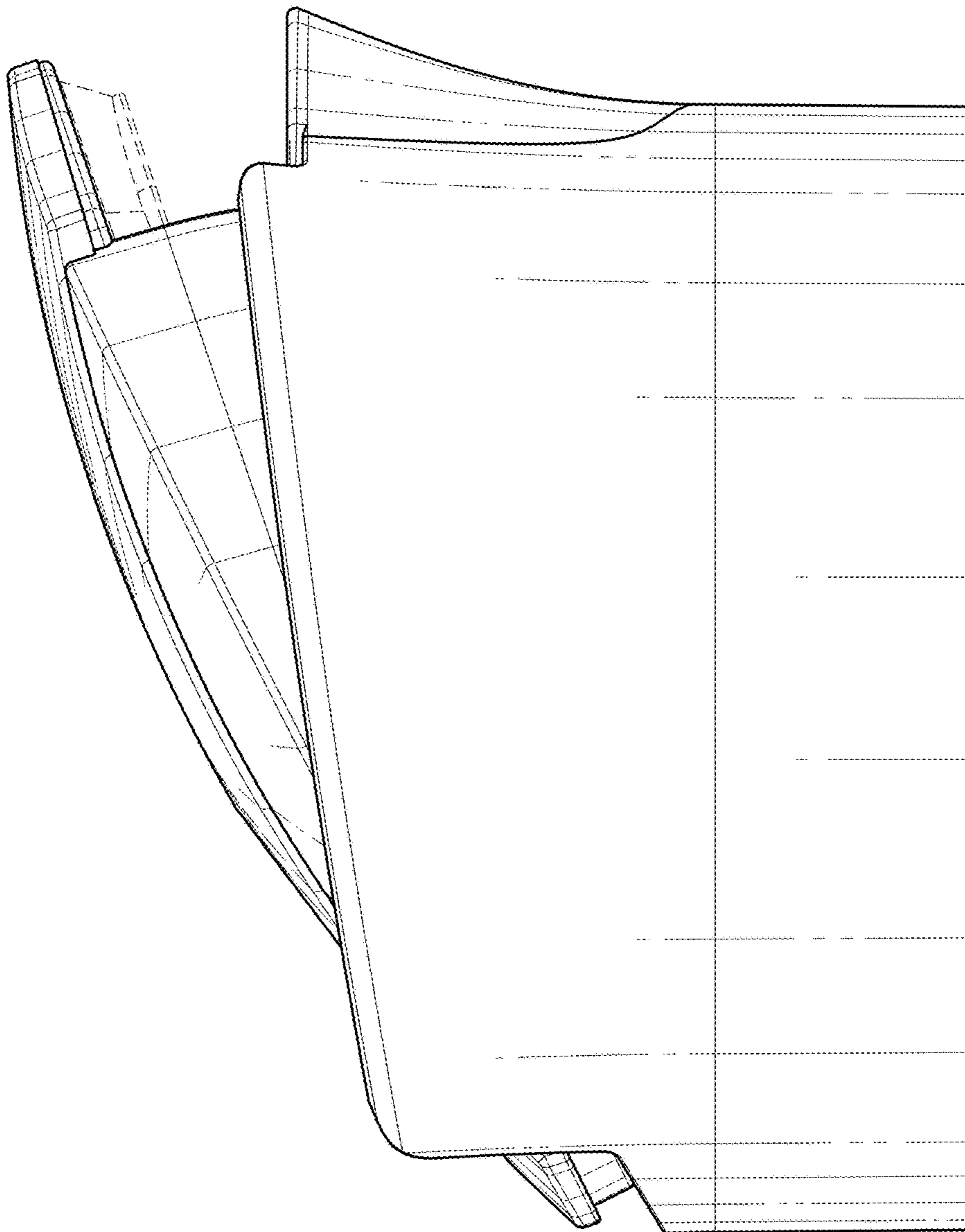


FIG. 15

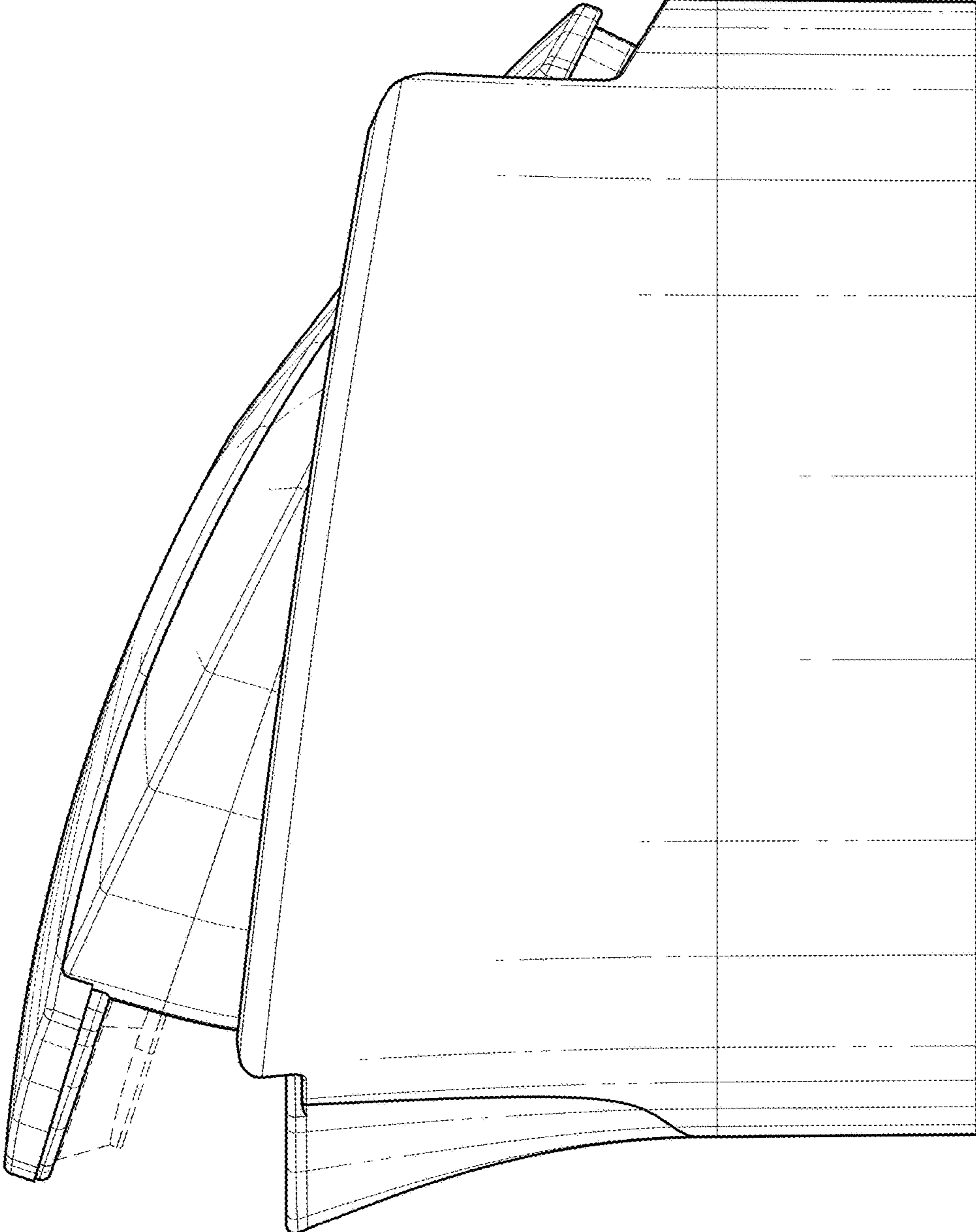


FIG. 16

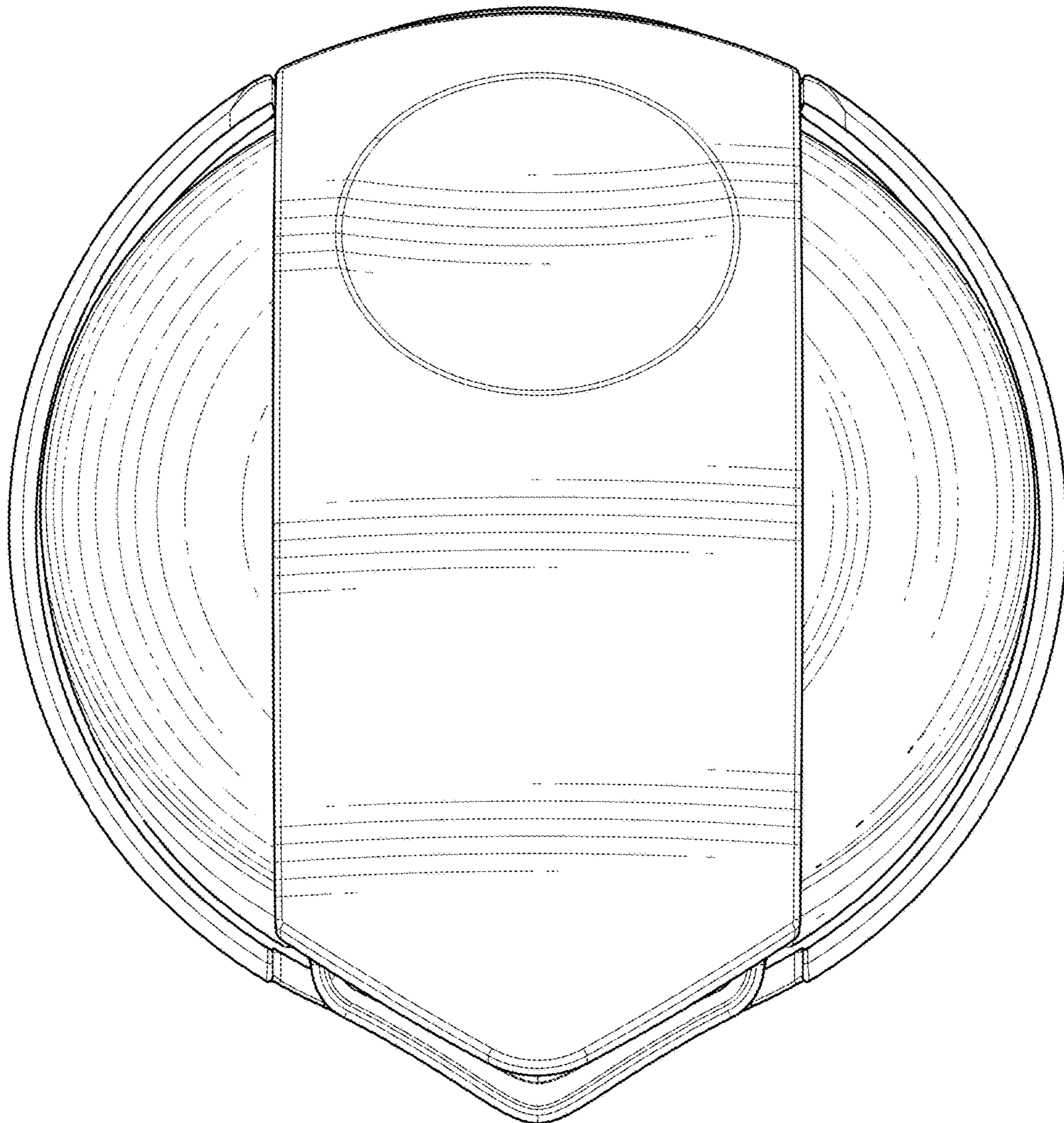


FIG. 17

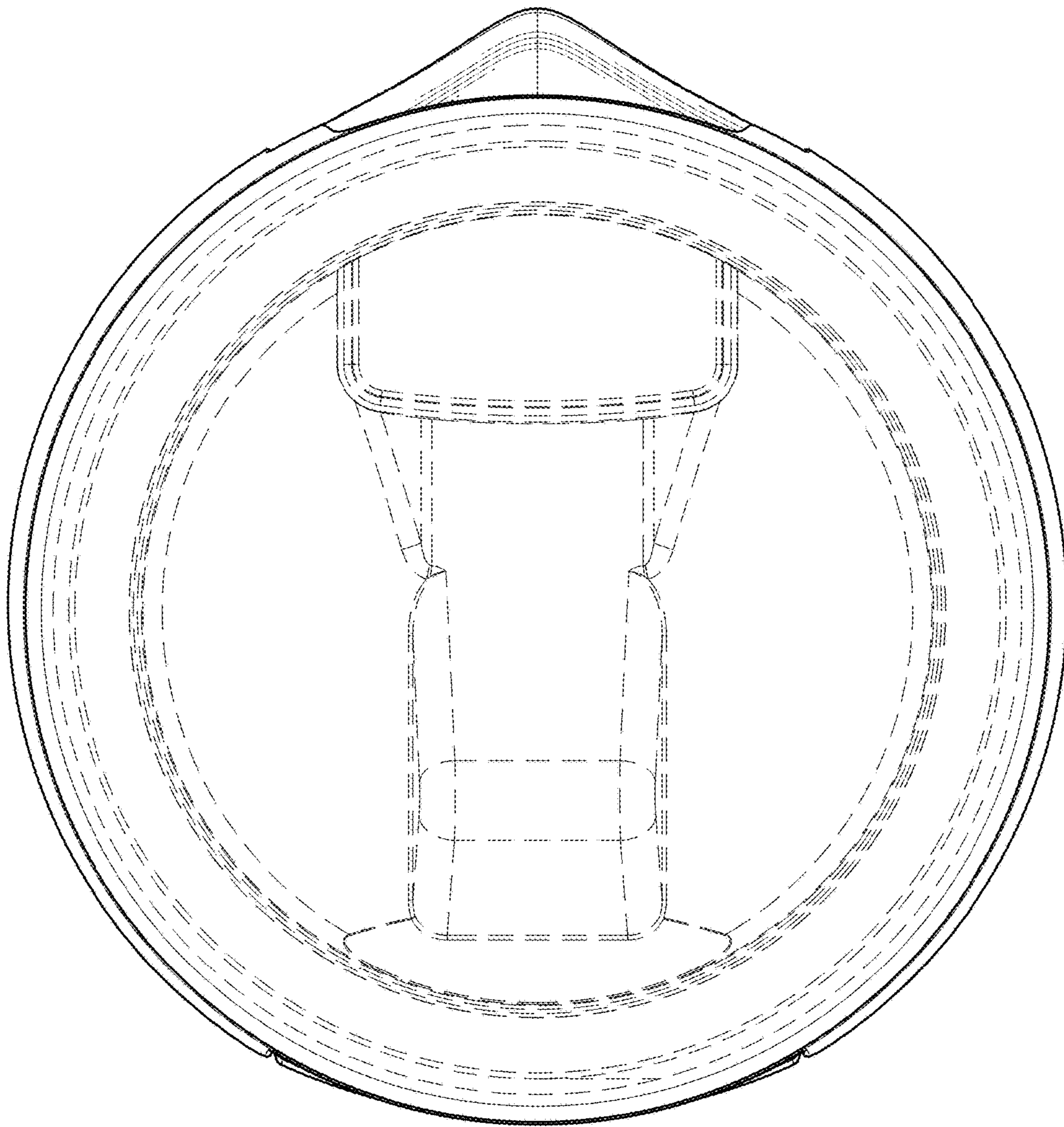


FIG. 18