



US00D797513S

(12) **United States Design Patent** (10) **Patent No.:** **US D797,513 S**
Matsuo (45) **Date of Patent:** **** Sep. 19, 2017**

(54) **BEVERAGE BOTTLE**

(71) Applicant: **Thermos K.K.**, Niigata-ken (JP)

(72) Inventor: **Keita Matsuo**, Ichinomiya (JP)

(73) Assignee: **THERMOS K.K.** (JP)

(**) Term: **15 Years**

(21) Appl. No.: **29/545,873**

(22) Filed: **Nov. 17, 2015**

(30) **Foreign Application Priority Data**

May 26, 2015 (JP) 2015-011593

(51) **LOC (10) Cl.** **07-01**

(52) **U.S. Cl.**
USPC **D7/533**

(58) **Field of Classification Search**

USPC D7/509, 510, 511, 523, 538, 543;
220/200, 705-710, 592.16, 592.17;
215/396-400; D23/209; 210/203, 205,
210/206

CPC A47G 19/22; A47G 19/2205; A47G
19/2211; A47G 19/2216; A47G 19/2272;
A47G 19/2288; A45F 3/16; A47J 43/27;
B65D 41/04; B65D 41/56; B65D 43/0247

See application file for complete search history.

(56) **References Cited**

U.S. PATENT DOCUMENTS

D619,418 S * 7/2010 Nezu D7/510
RE42,484 E * 6/2011 Kitamura D7/510

D710,653 S * 8/2014 Goto D7/608
8,985,370 B2 * 3/2015 Lane B65D 43/26
215/229
D725,966 S * 4/2015 Boroski D7/511
9,150,335 B2 * 10/2015 Lane A45F 3/16
2015/0173539 A1 * 6/2015 Mason A47G 19/2272
220/707

* cited by examiner

Primary Examiner — Daniel Bui

Assistant Examiner — Andrew Kerr

(74) *Attorney, Agent, or Firm* — Polsinelli PC

(57) **CLAIM**

The ornamental design for a beverage bottle, as shown and described.

DESCRIPTION

FIG. 1 is a perspective view of a beverage bottle showing my new design;
FIG. 2 is a front elevation view thereof;
FIG. 3 is a rear elevation view thereof;
FIG. 4 is a left side elevation view thereof;
FIG. 5 is a right side elevation view thereof;
FIG. 6 is a top plan view thereof;
FIG. 7 is a bottom plan view thereof; and,
FIG. 8 is a perspective view thereof, in use condition.
The broken lines showing in the figures are included for the purpose of illustrating portions of the beverage bottle that form no part of the claimed design.

1 Claim, 8 Drawing Sheets

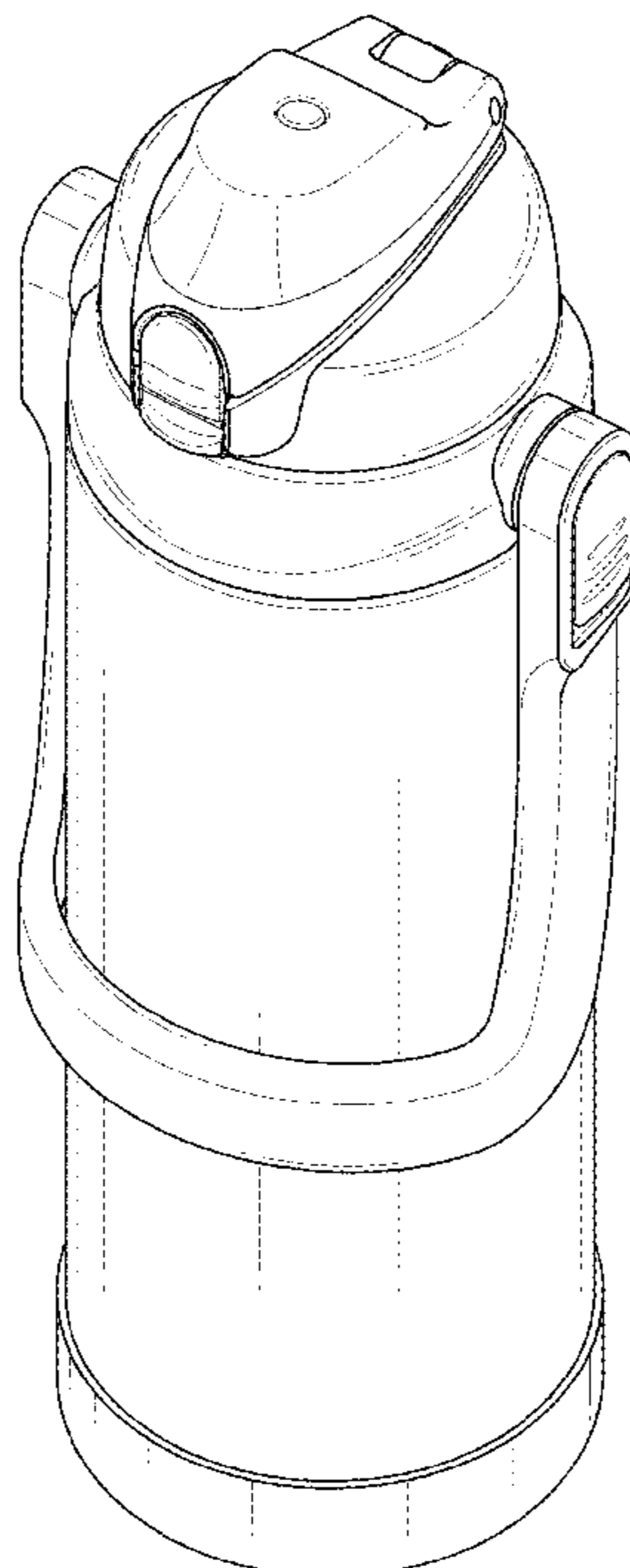


FIG. 1

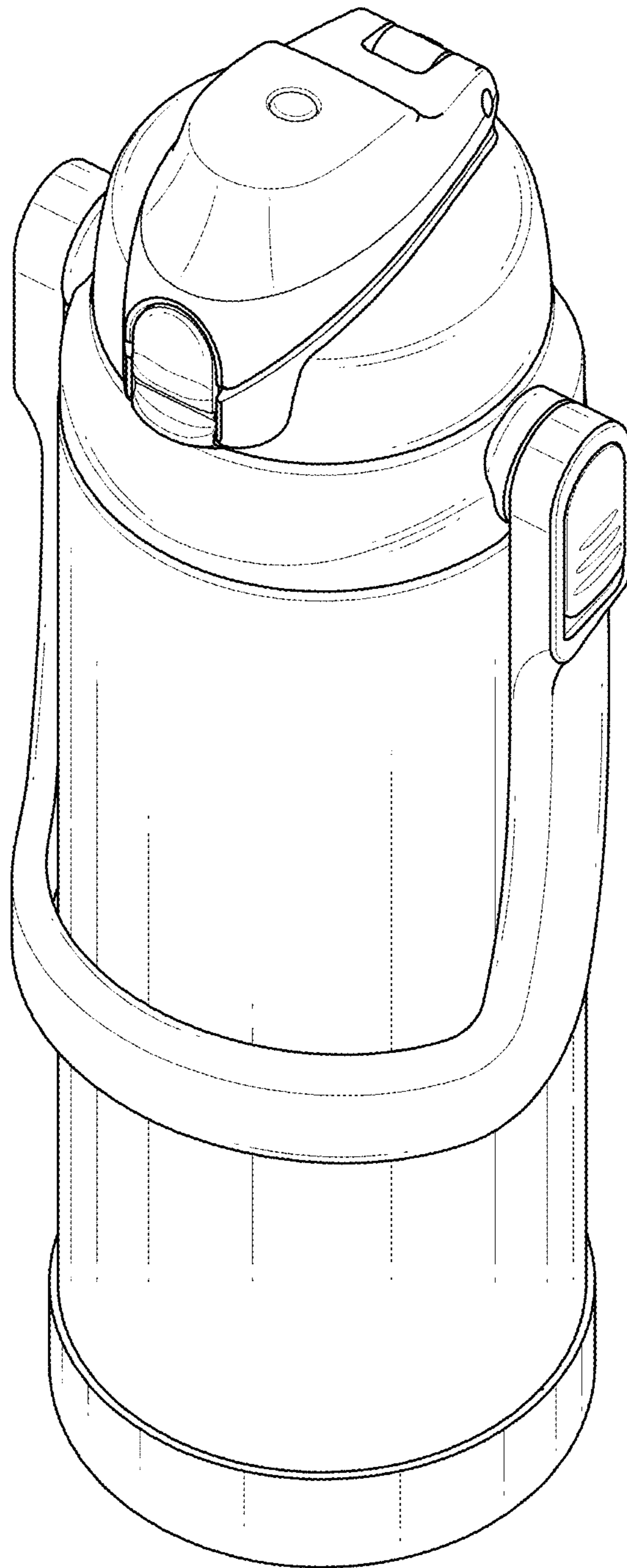


FIG. 2

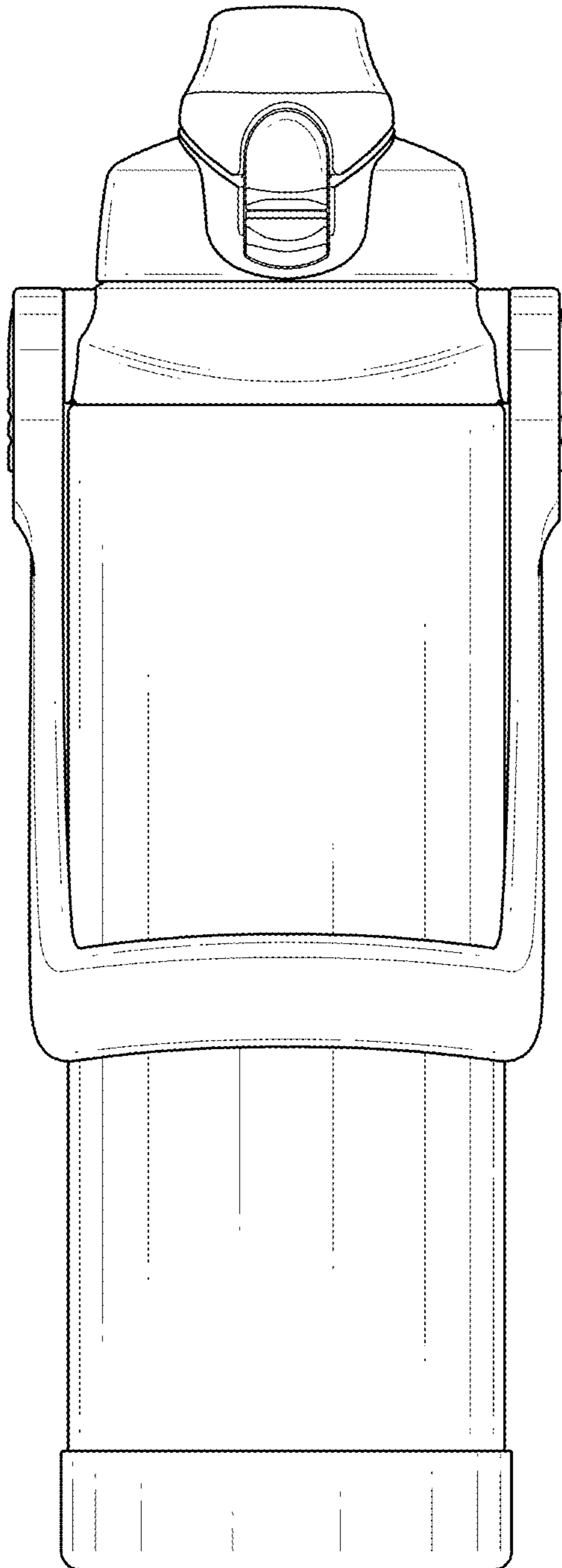


FIG. 3

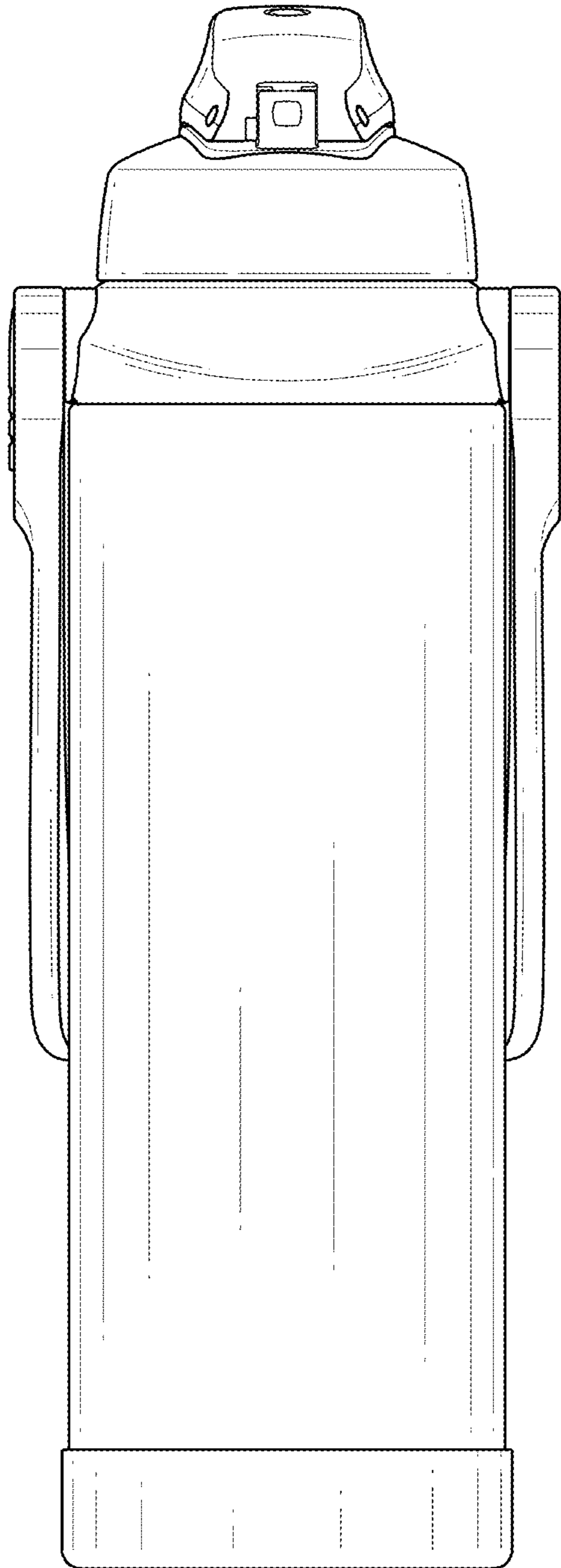


FIG. 4

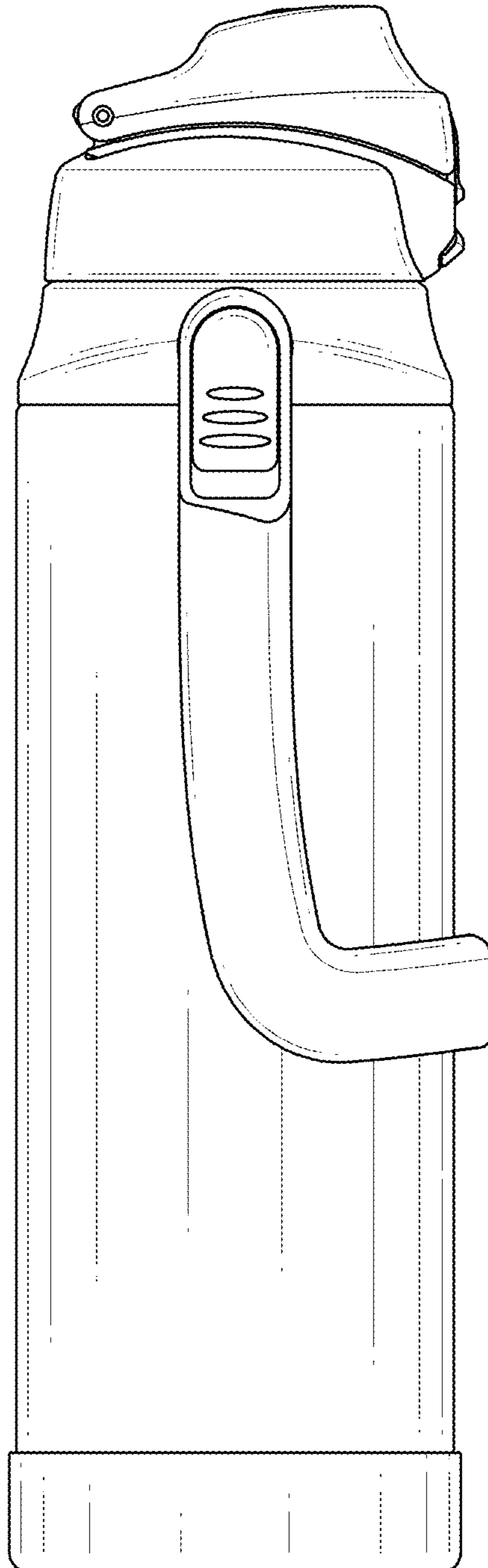


FIG. 5

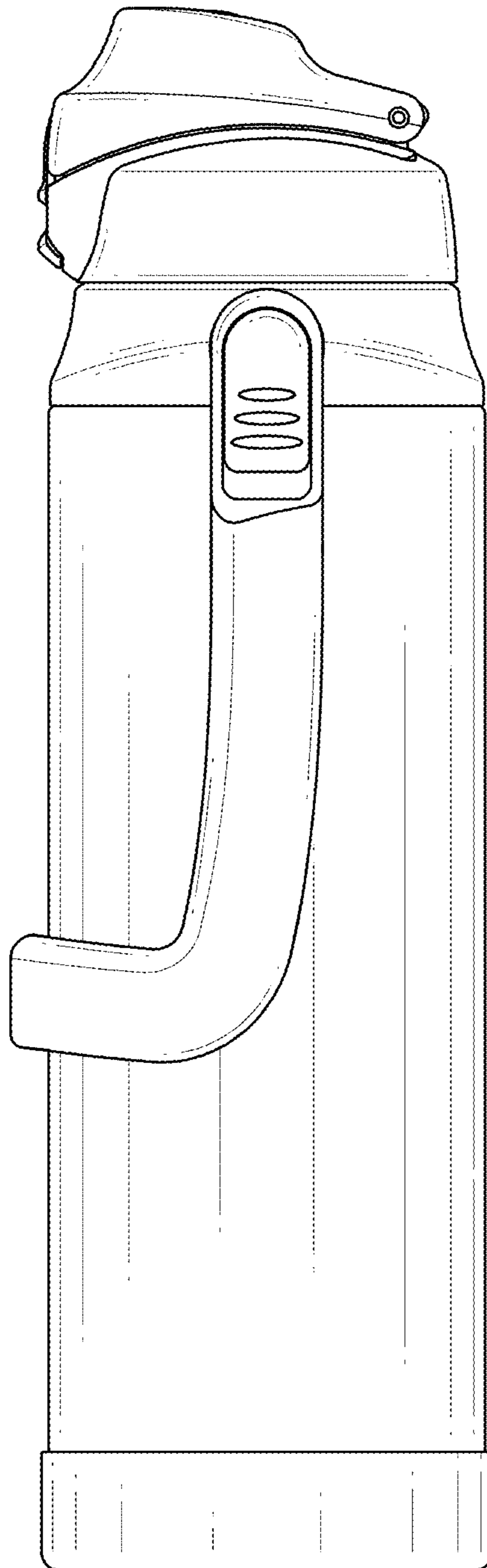


FIG. 6

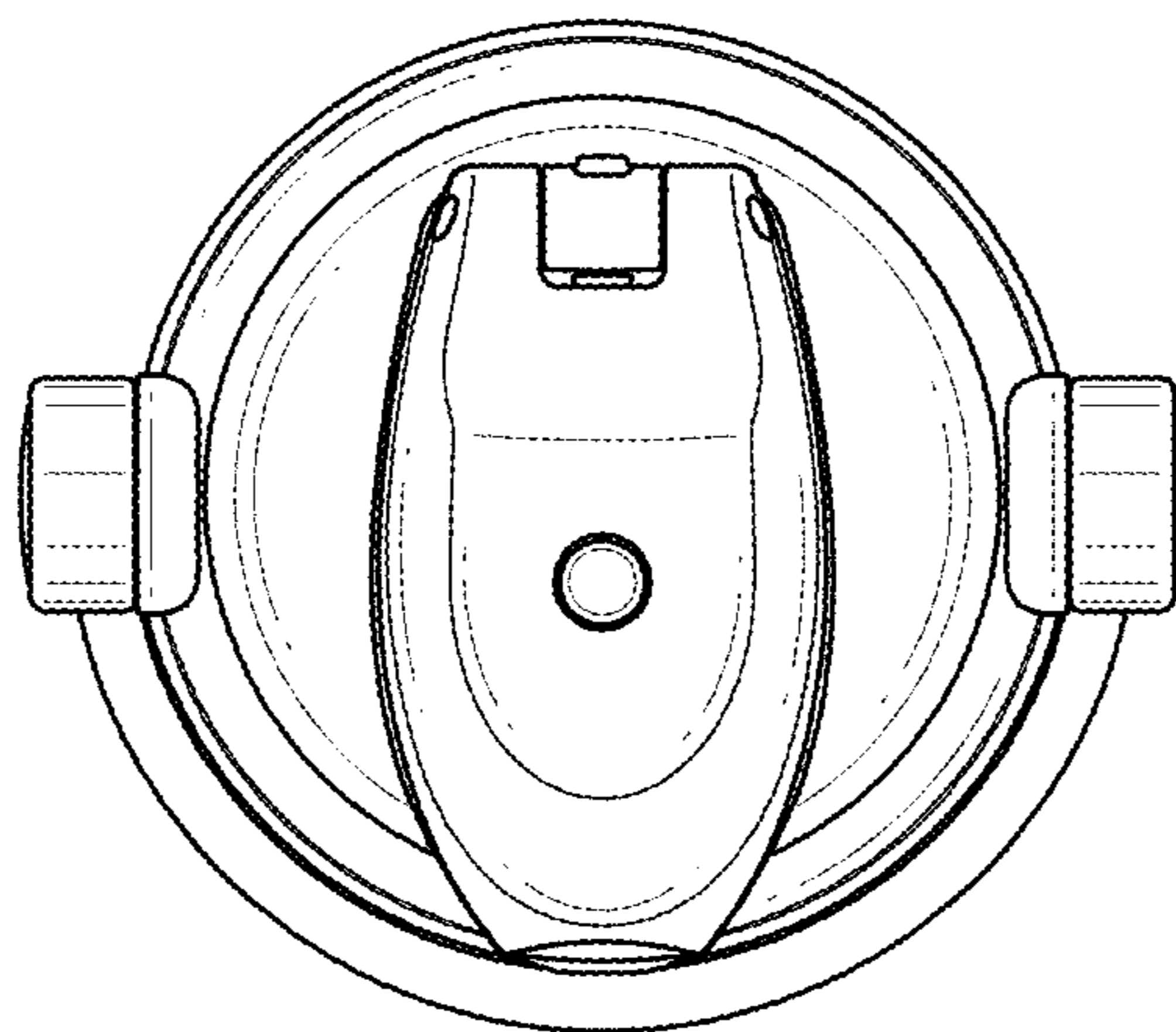


FIG. 7

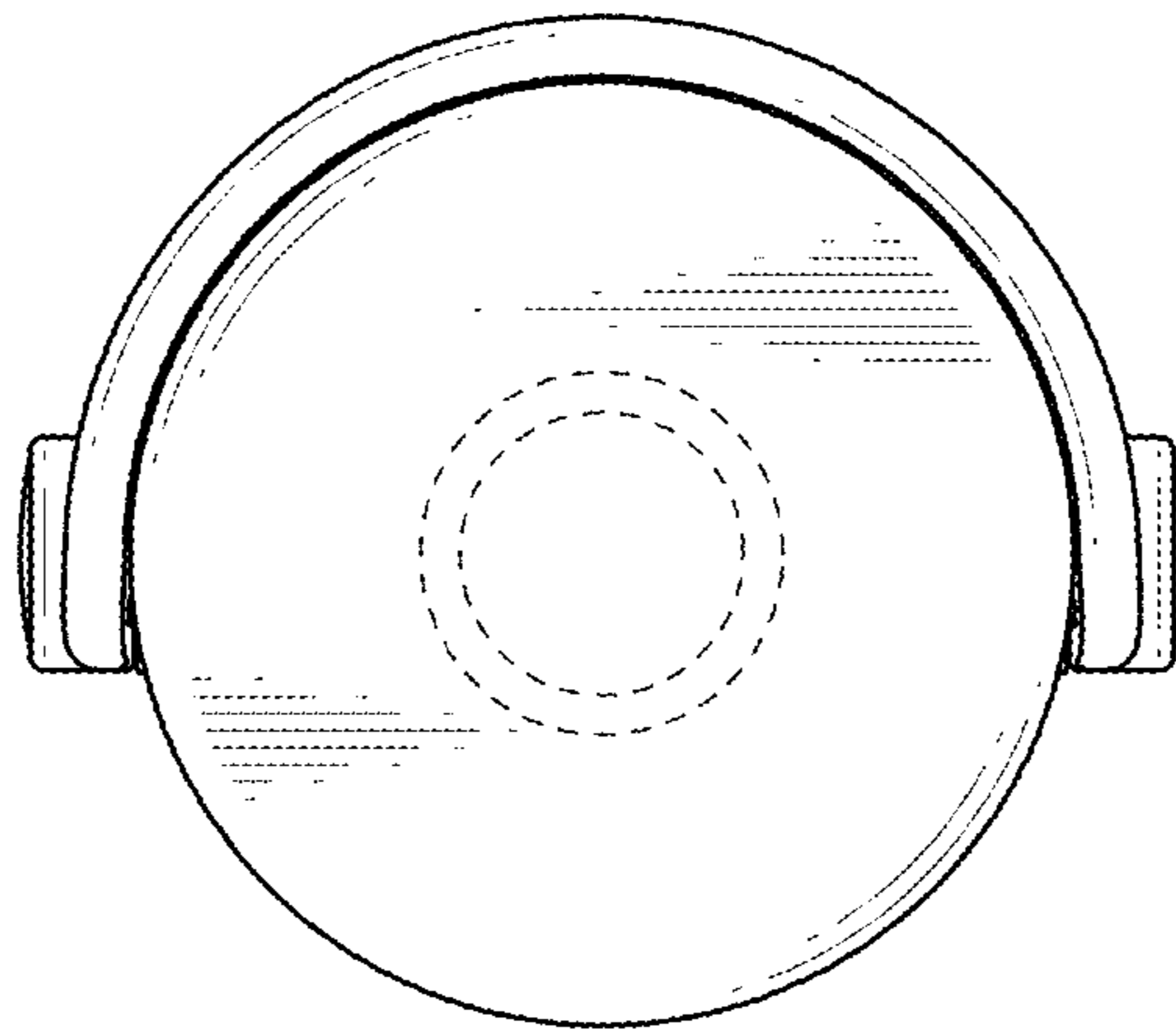


FIG. 8

