



US00D797512S

(12) **United States Design Patent**  
**O'Connor**

(10) **Patent No.:** **US D797,512 S**

(45) **Date of Patent:** **\*\* Sep. 19, 2017**

- (54) **CUP WITH NON-UNIFORM RIBS**
- (71) Applicant: **Reynolds Consumer Products LLC**,  
Lake Forest, IL (US)
- (72) Inventor: **John D. O'Connor**, Griffith, IN (US)
- (73) Assignee: **REYNOLDS CONSUMER PRODUCTS LLC**, Lake Forest, IL (US)
- (\*\*) Term: **15 Years**

- (21) Appl. No.: **29/505,645**
- (22) Filed: **Dec. 23, 2015**
- (51) **LOC (10) Cl.** ..... **07-01**
- (52) **U.S. Cl.**  
USPC ..... **D7/529**; D7/523; D7/532
- (58) **Field of Classification Search**  
USPC ..... D7/507, 509, 510, 511, 523, 529, 530,  
D7/532, 392.1, 396.2, 608, 599, 598, 397;  
D9/444, 567, 552, 554, 555, 565, 568,  
D9/571; 220/592.16, 592.17, 200  
CPC ..... A47G 19/22; A47G 19/2205; A45F 3/16;  
Y10S 220/903  
See application file for complete search history.

(56) **References Cited**

**U.S. PATENT DOCUMENTS**

D398,855 S	*	9/1998	Ito	.....	D9/537
D407,270 S	*	3/1999	Wilson	.....	D7/523
D505,592 S	*	5/2005	Liu	.....	D7/523
D533,748 S	*	12/2006	Bresler	.....	D7/509
D538,993 S	*	3/2007	Cabeza	.....	D34/1
D556,513 S	*	12/2007	Yelland	.....	D7/516

D560,970 S	*	2/2008	Yelland	.....	D7/532
D593,367 S	*	6/2009	Brooks	.....	D7/509
D603,268 S	*	11/2009	Bourne	.....	D9/520
D614,917 S	*	5/2010	Calco	.....	D7/509
D615,356 S	*	5/2010	Hillebrenner	.....	D7/509
D620,755 S	*	8/2010	Haskell	.....	D7/510
D637,041 S	*	5/2011	Haskell	.....	D7/510
D676,755 S	*	2/2013	Hein	.....	D9/519
D696,938 S	*	1/2014	BeVier	.....	D7/602
D732,895 S	*	6/2015	McClellan	.....	D7/529
D742,177 S	*	11/2015	Morris, II	.....	D7/523
D761,059 S	*	7/2016	Fitchko	.....	D7/316
D763,620 S	*	8/2016	Szymanski	.....	D7/392.1
D767,993 S	*	10/2016	Joshi	.....	D9/538

\* cited by examiner

*Primary Examiner* — Marianne Pandozzi

*Assistant Examiner* — Jae Liang

(74) *Attorney, Agent, or Firm* — Baker Botts L.L.P.

(57) **CLAIM**

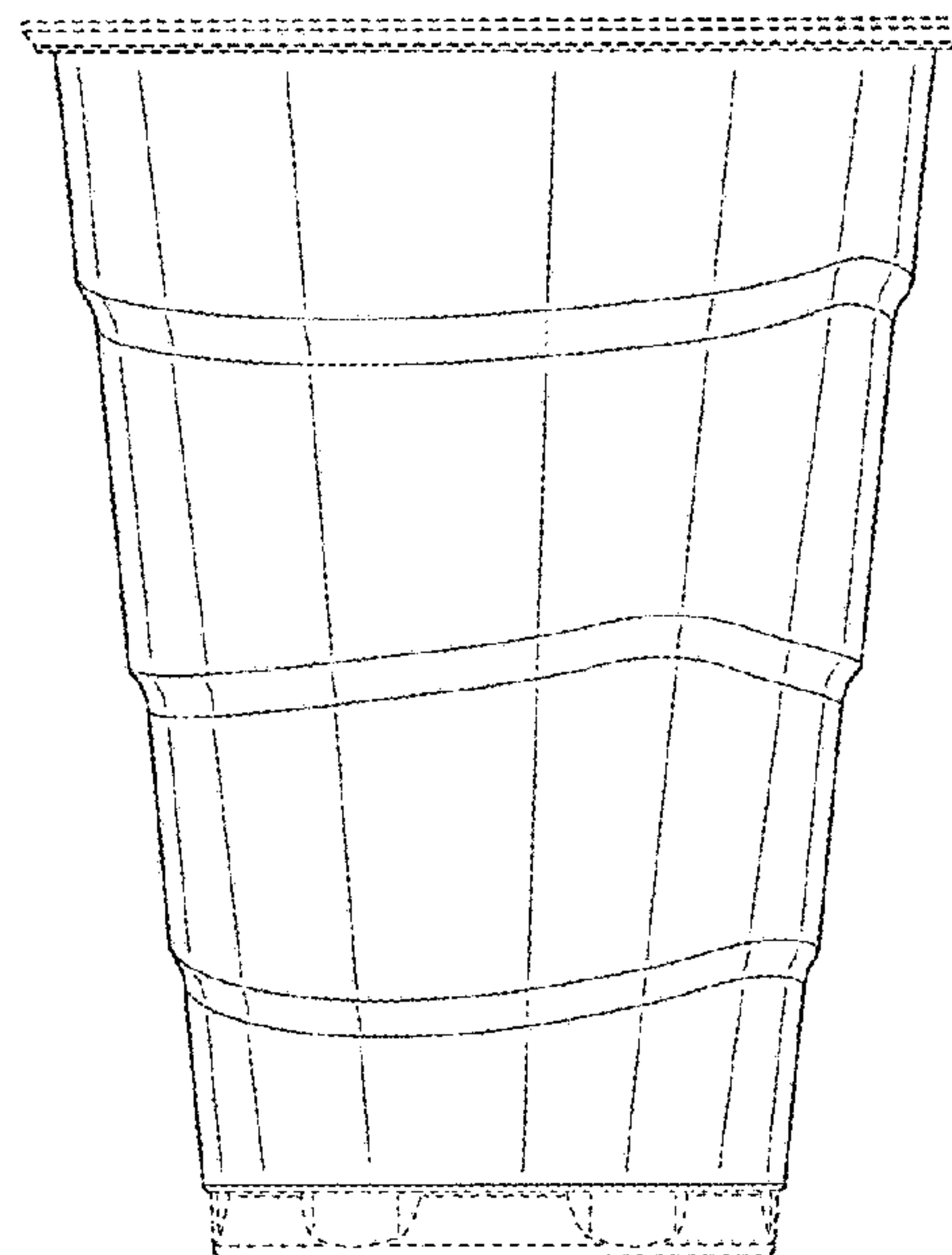
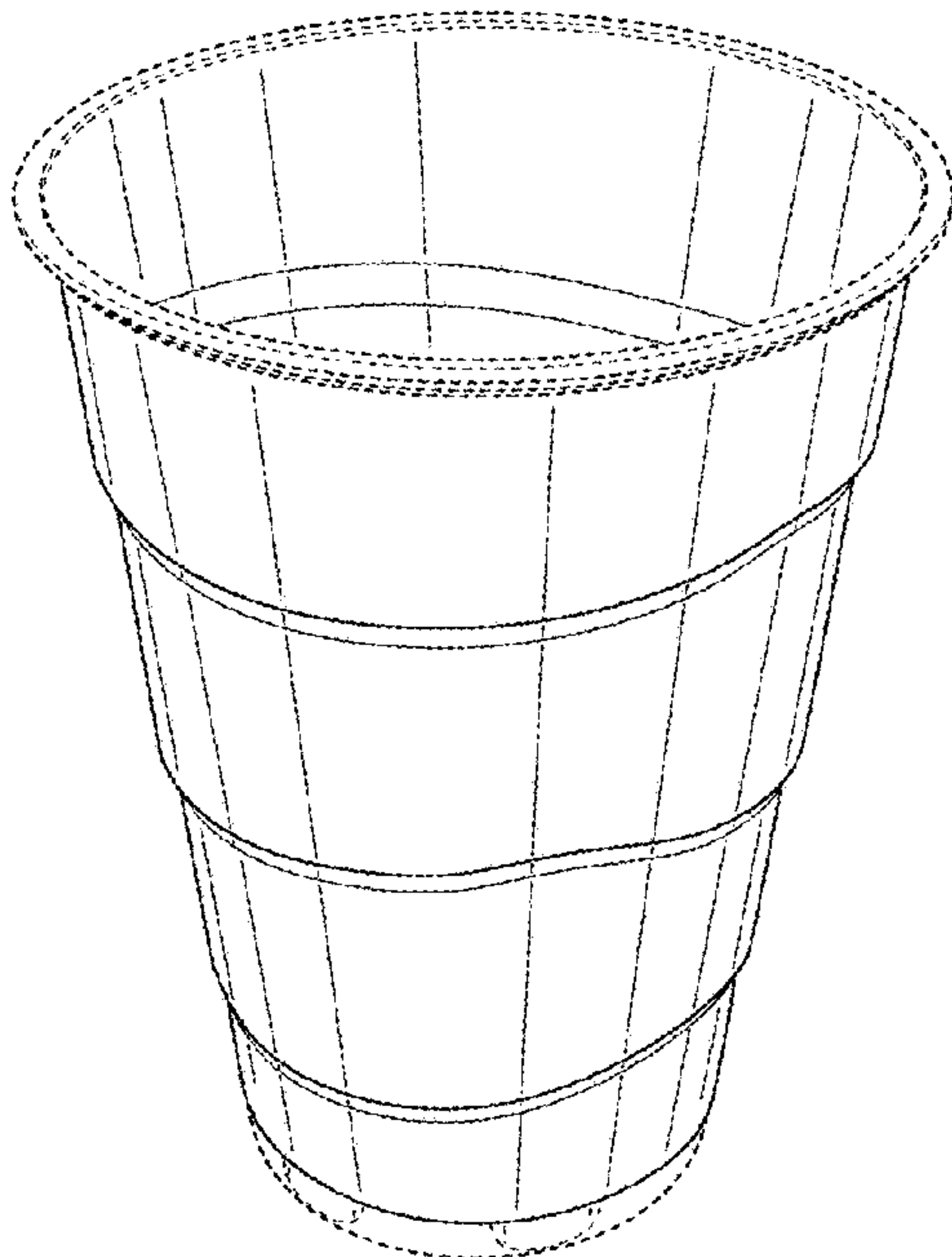
The ornamental design for a cup with non-uniform ribs, as shown and described.

**DESCRIPTION**

FIG. 1 is a top perspective view of a cup with non-uniform ribs showing the new design;  
 FIG. 2 is a front view thereof;  
 FIG. 3 is a rear view thereof;  
 FIG. 4 is a left side view thereof;  
 FIG. 5 is a right side view thereof;  
 FIG. 6 is a top view thereof; and,  
 FIG. 7 is a bottom view thereof.

The broken lines in the drawing depict portions of the cup with non-uniform ribs that form no part of the claimed design.

**1 Claim, 7 Drawing Sheets**



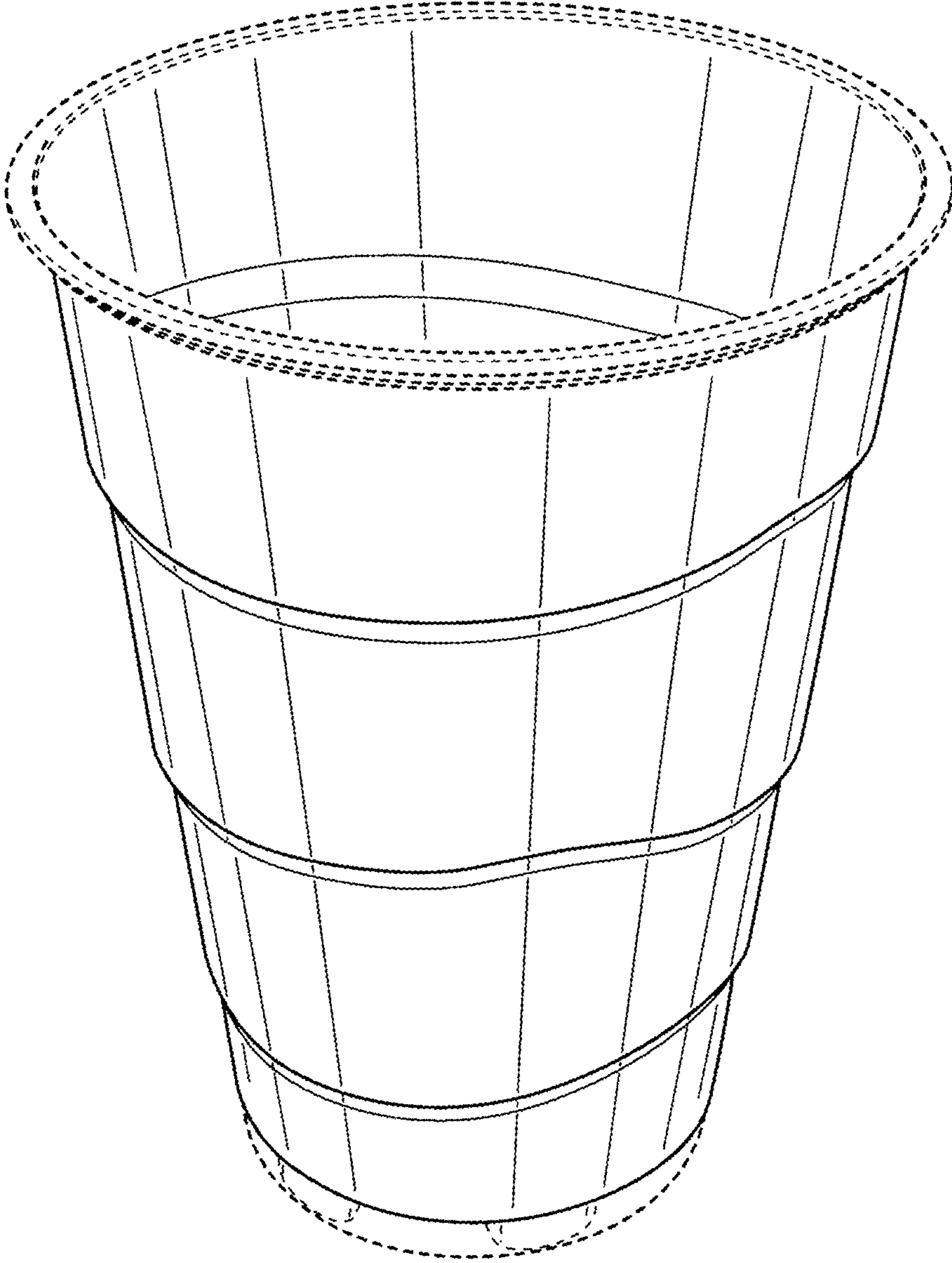


FIG. 1

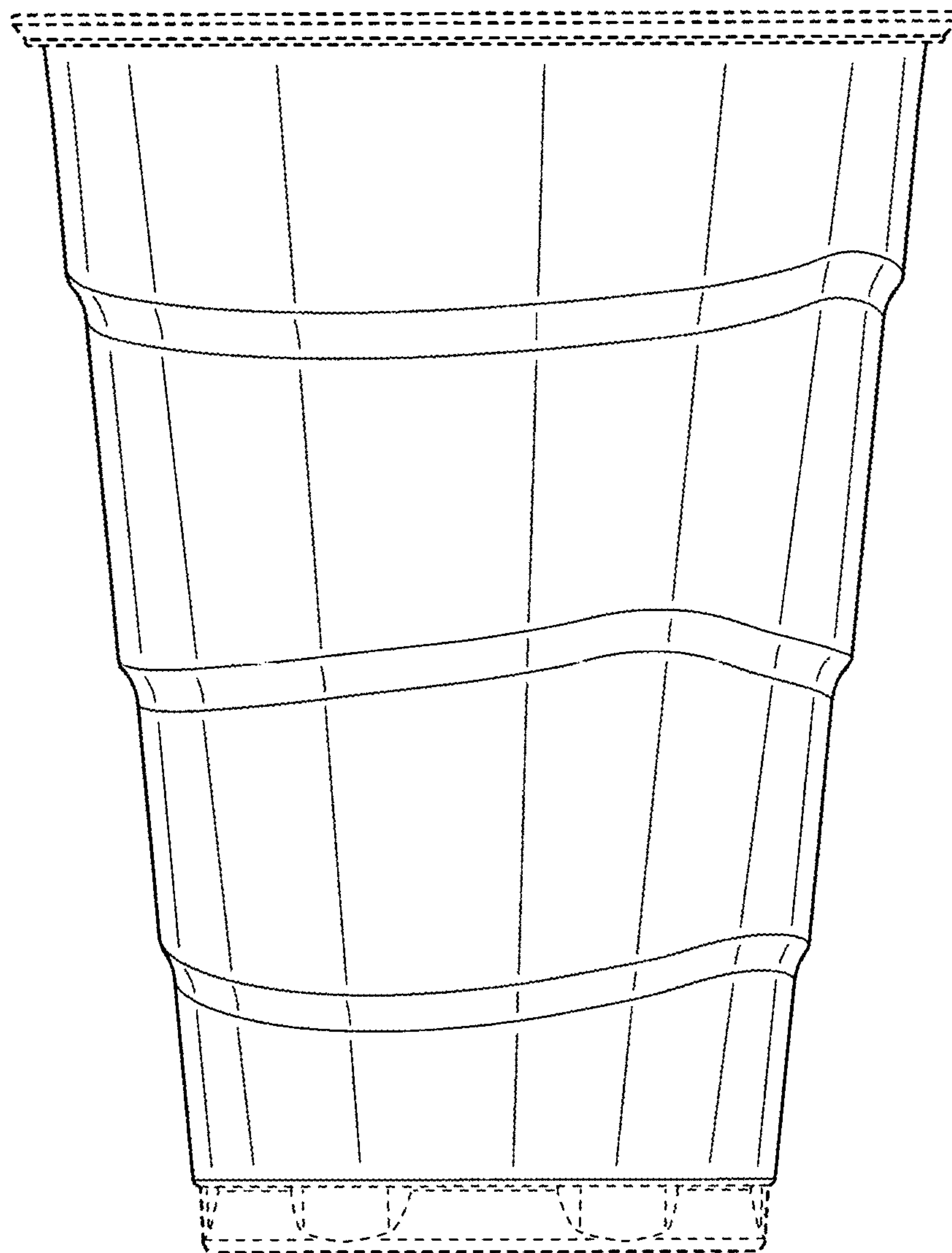


FIG. 2

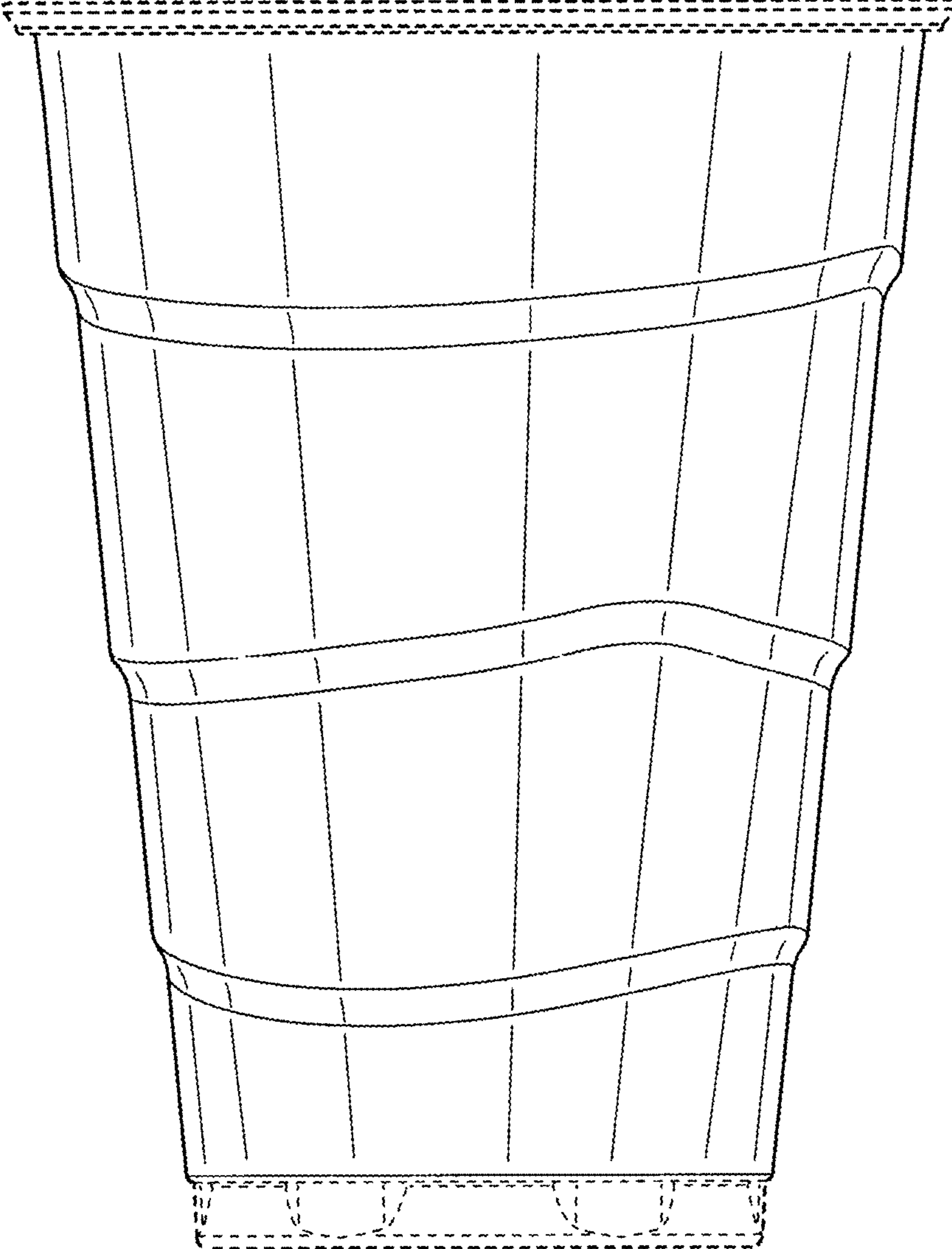


FIG. 3

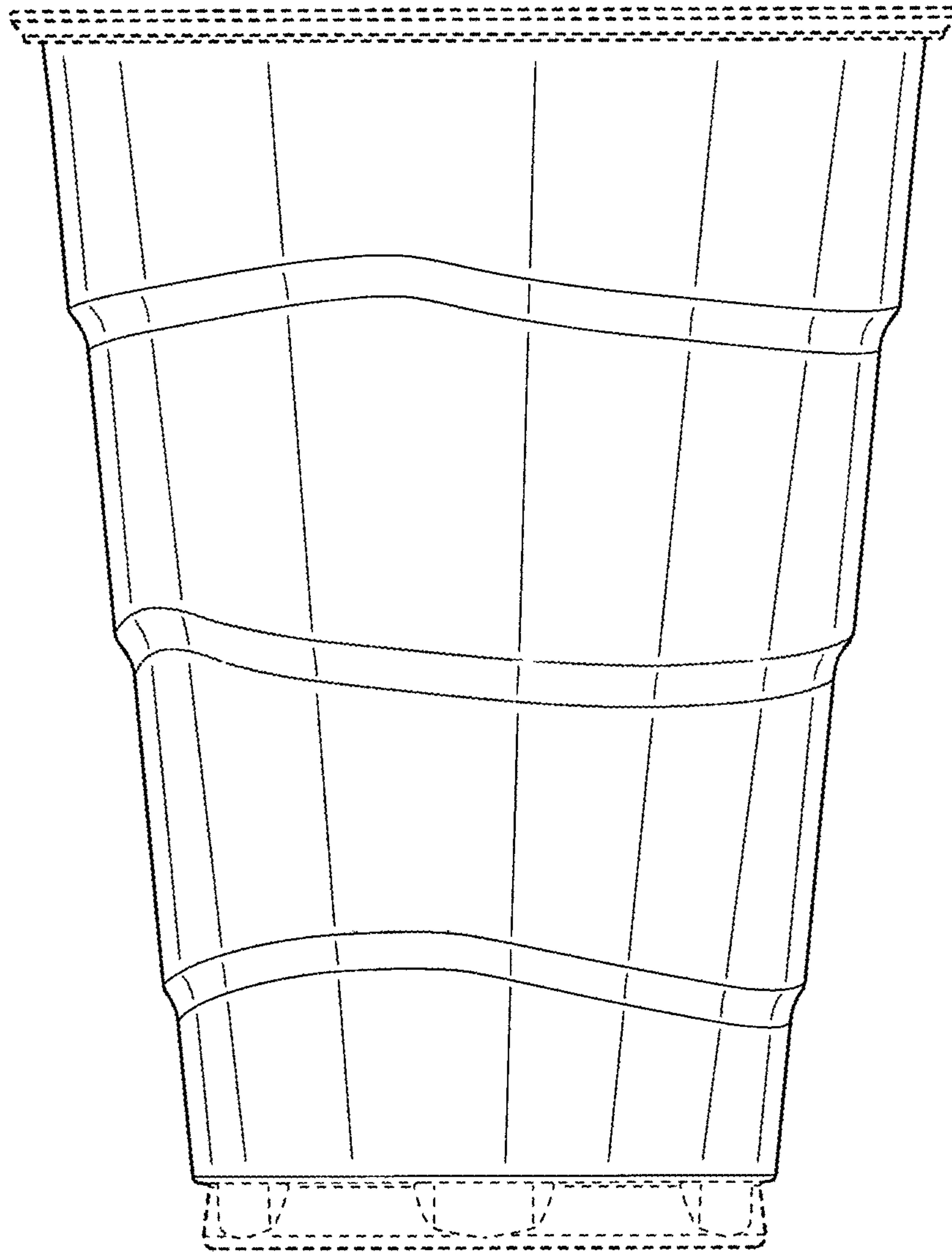


FIG. 4



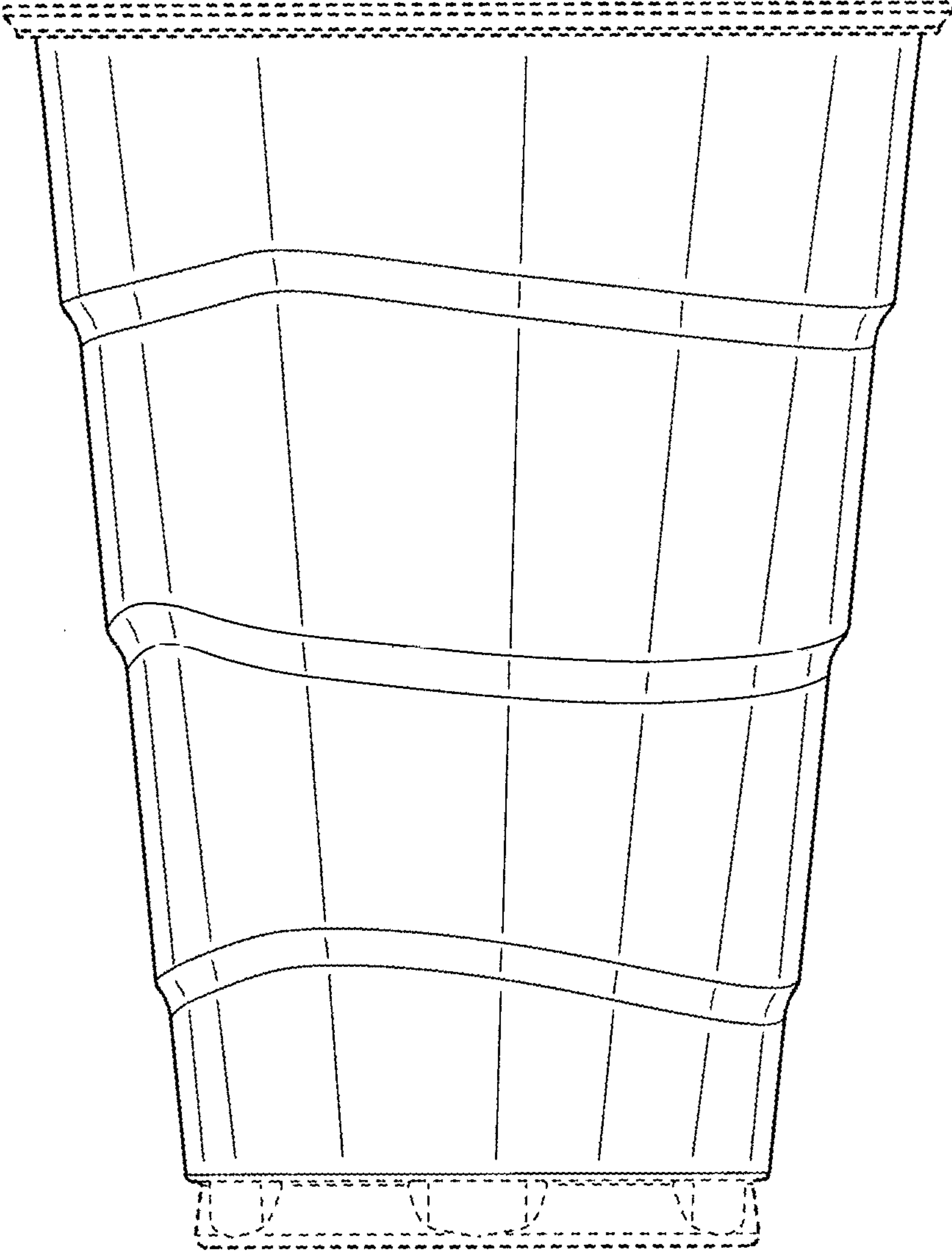


FIG. 5

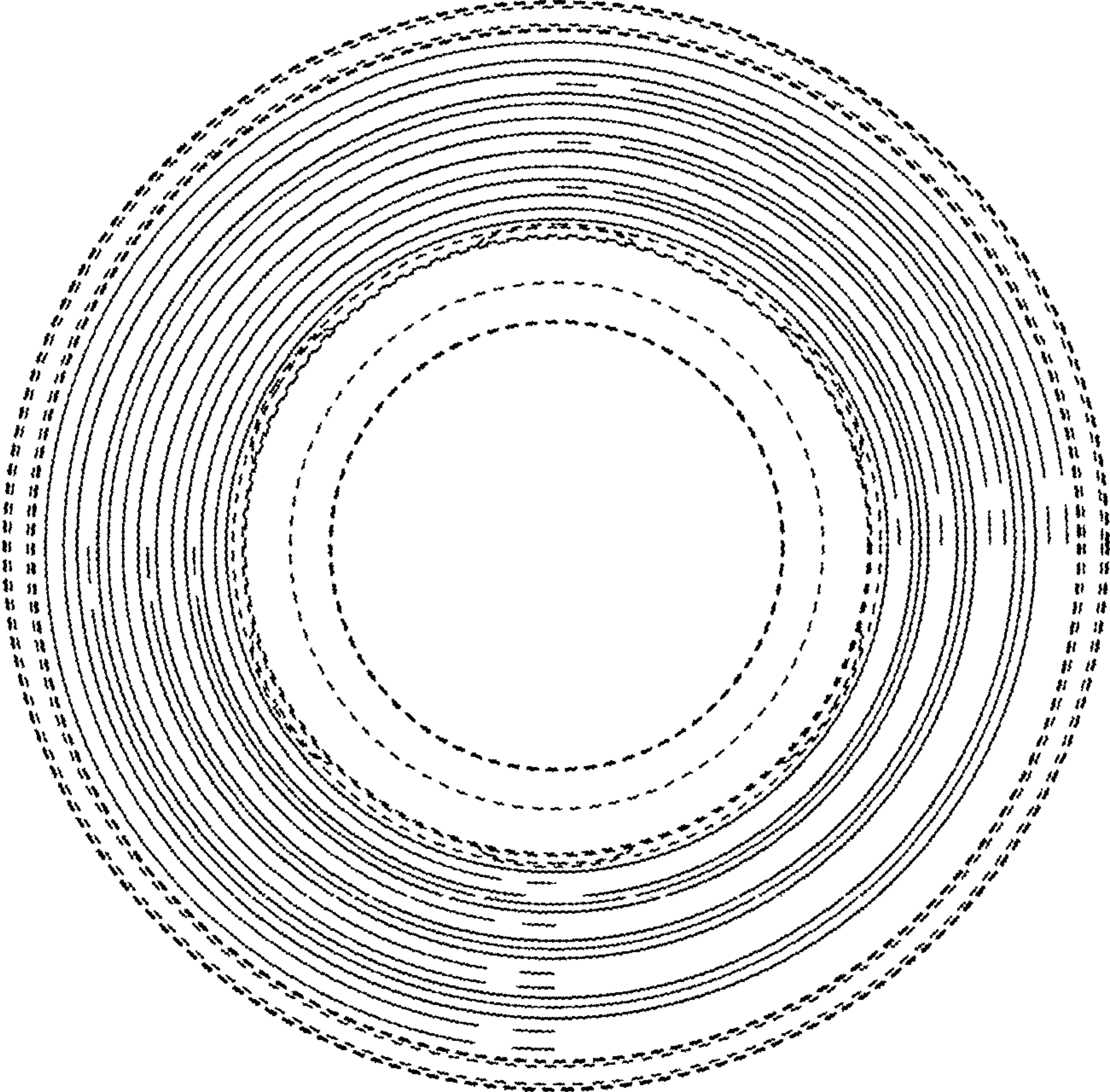


FIG. 6

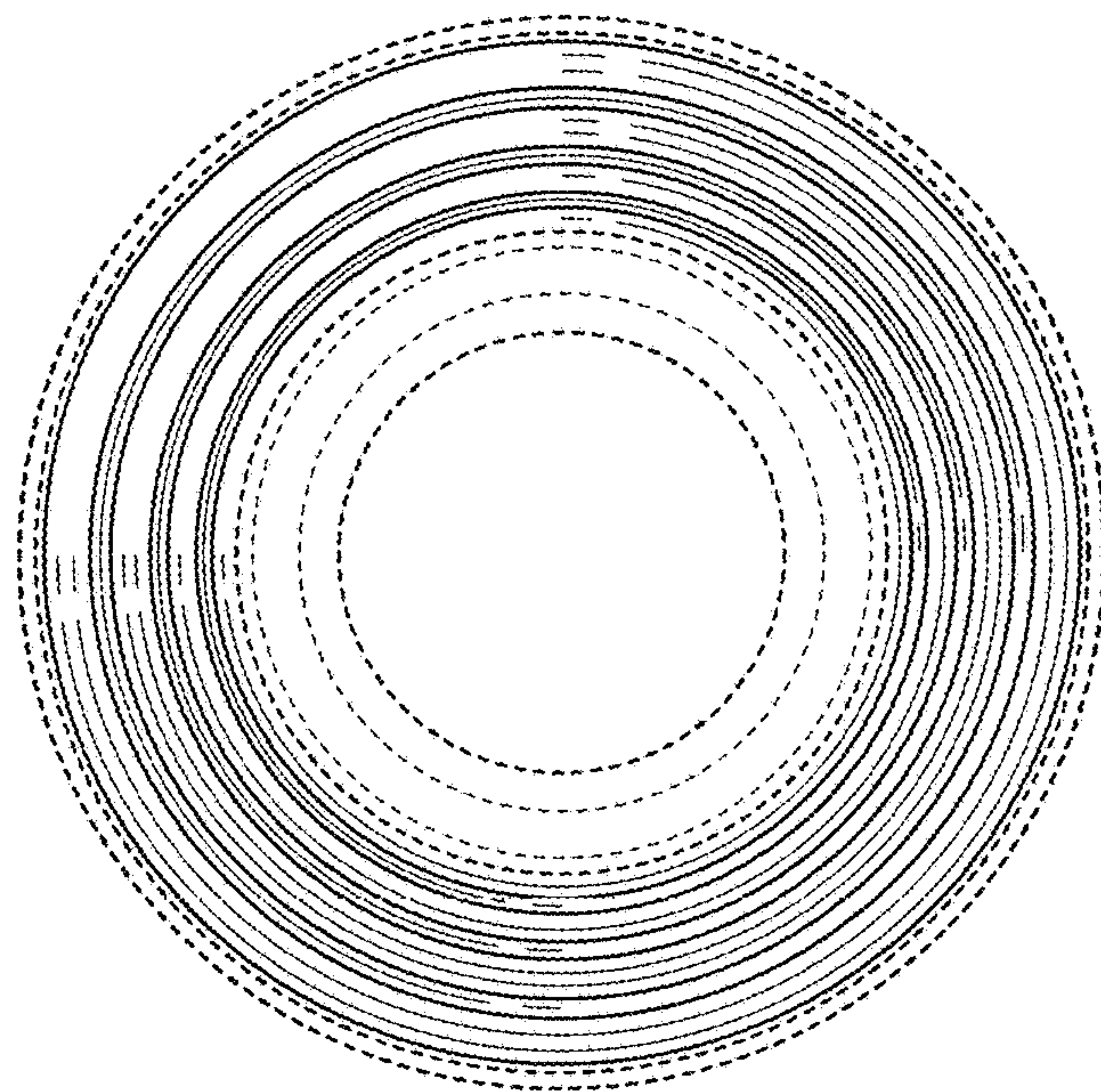


FIG. 7