



US00D797511S

(12) **United States Design Patent** (10) **Patent No.:** **US D797,511 S**
Specht et al. (45) **Date of Patent:** **** Sep. 19, 2017**

- (54) **STEMLESS DECORATIVE GLASSWARE**
- (71) Applicant: **Stemware Designs, Inc.**, Elmhurst, IL (US)
- (72) Inventors: **Julie A. Specht**, Elmhurst, IL (US);
Patti A. Daniels, Naperville, IL (US)
- (73) Assignee: **Stemware Designs, Inc.**, Elmhurst, IL (US)
- (**) Term: **15 Years**
- (21) Appl. No.: **29/578,697**
- (22) Filed: **Sep. 23, 2016**
- (51) **LOC (10) Cl.** **07-01**
- (52) **U.S. Cl.**
USPC **D7/523; D7/532**
- (58) **Field of Classification Search**
USPC D7/505, 507, 509, 510, 511, 512, 151,
D7/523, 532, 392.1, 396.2, 396.6, 552.2,
D7/400, 524; 220/495.03, 592.16,
220/592.17; D11/143, 144; D9/772, 520,
D9/548; D26/9
CPC A47G 19/2272; A47G 19/2227; A47G
19/22; A45F 3/20; A45F 3/16; B65D
47/066; B65D 1/265
See application file for complete search history.

- D119,278 S 3/1944 May
 - 2,343,287 A 3/1944 Elsaesser
 - D166,477 S 4/1952 Margolis
 - D206,889 S 2/1967 Benes
 - 3,608,766 A 9/1971 D'Orefice
 - 3,914,797 A 10/1975 Stembridge
 - D258,925 S 4/1981 Perrin
 - D289,125 S 4/1987 Durand
 - D293,991 S 2/1988 Durand
 - D299,101 S 12/1988 Durand
 - 4,867,214 A 9/1989 Fuller
 - 5,419,455 A 5/1995 Russeau
 - D406,645 S 3/1999 Doyle
 - D411,940 S 7/1999 Horvat
 - D413,731 S 9/1999 Hannington
 - D423,299 S 4/2000 Burrus
 - 6,073,796 A 6/2000 Mogil
 - 6,228,459 B1 5/2001 Bujalski
- (Continued)

(56) **References Cited**
U.S. PATENT DOCUMENTS

- 296,223 A 4/1884 Schulze-Berge
- D19,427 S 11/1889 Smith
- D28,900 S 6/1898 Field
- D61,952 S 2/1923 Helsey
- D74,233 S 1/1928 Sehlback
- D83,852 S 4/1931 Duncan
- 2,025,963 A 12/1935 Voelcker
- 2,035,384 A 3/1936 Hinchliff
- D100,624 S 8/1936 Cunningham

OTHER PUBLICATIONS

- Riedel-aerating-stemless-wine-glasses-600x395.jpg www.home-designing.com Jan. 16, 2016.*
- (Continued)

Primary Examiner — Marianne Pandozzi
Assistant Examiner — Jae Liang
(74) *Attorney, Agent, or Firm* — Cook Alex Ltd.

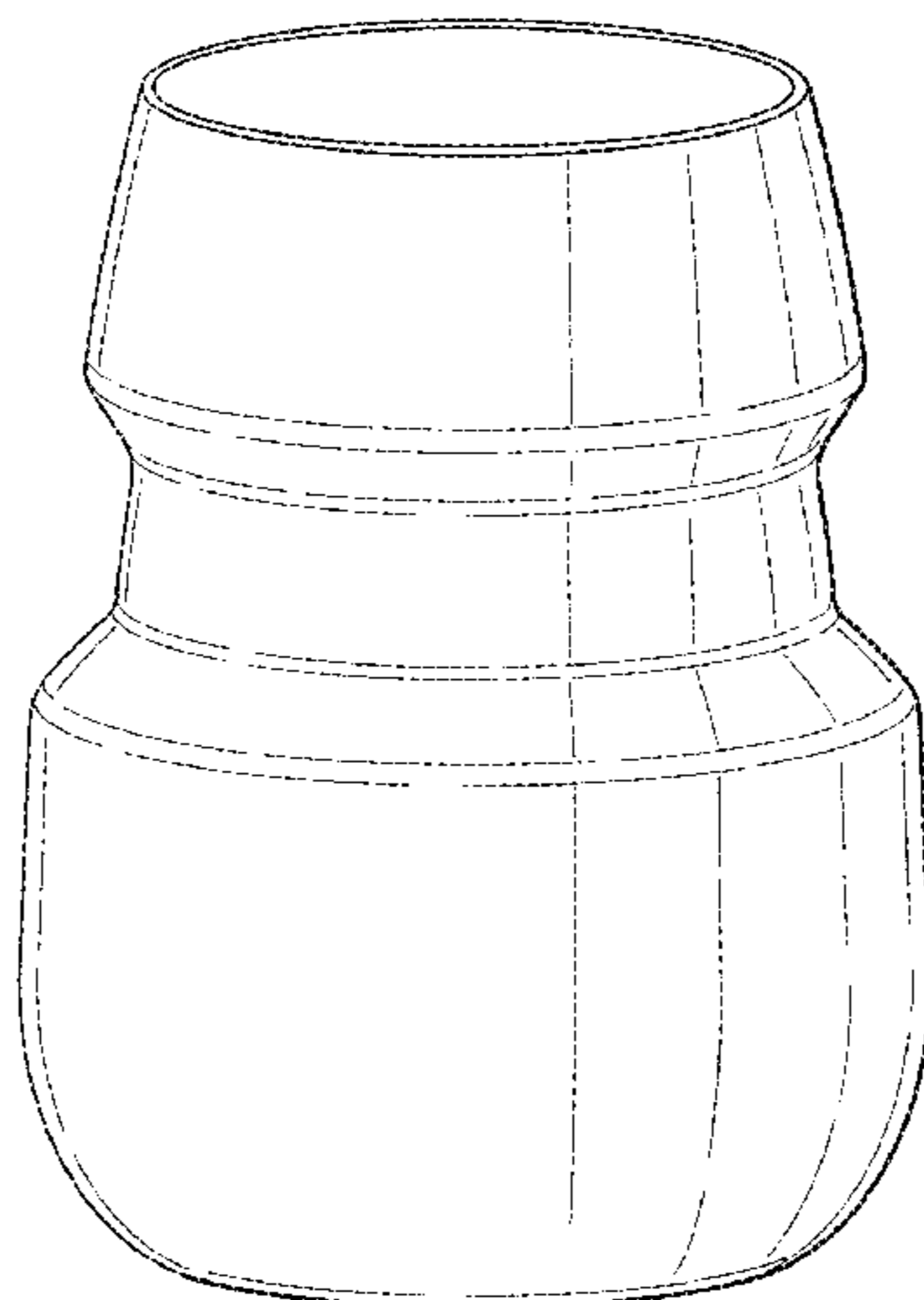
(57) **CLAIM**

The ornamental design for stemless decorative glassware, as shown and described.

DESCRIPTION

FIG. 1 is a top perspective view of a stemless decorative glassware showing our new design;
FIG. 2 is a bottom perspective view thereof;
FIG. 3 is a side elevational view thereof;
FIG. 4 is a top plan view thereof; and,
FIG. 5 is a bottom plan view thereof.

1 Claim, 2 Drawing Sheets



(56)

References Cited

U.S. PATENT DOCUMENTS

D452,634 S 1/2002 Weinberg
 D455,053 S 4/2002 Frank
 6,364,151 B1 4/2002 Gale
 D456,672 S 5/2002 Bodum
 6,469,584 B1 10/2002 Eker et al.
 6,530,163 B2 3/2003 Skapyak et al.
 6,741,150 B2 5/2004 Holmes et al.
 6,772,891 B1 8/2004 Song
 D497,773 S 11/2004 Riedel
 7,192,632 B2 3/2007 Heldibridle et al.
 7,192,634 B2 3/2007 Carter et al.
 D541,109 S 4/2007 Rocha
 D543,786 S 6/2007 Walsh
 D548,528 S 8/2007 Cha et al.
 D550,033 S 9/2007 Bodum
 D556,509 S * 12/2007 Bonini D7/507
 D582,614 S 12/2008 Nylen
 D584,643 S * 1/2009 Kolon D9/777
 D587,534 S * 3/2009 Carreno D7/608
 D588,936 S * 3/2009 Ioannides D9/776
 D609,055 S 2/2010 Specht et al.
 D611,302 S 3/2010 Specht et al.
 D621,622 S 8/2010 Giacolo et al.
 D624,364 S 9/2010 Specht et al.
 D624,365 S 9/2010 Specht et al.
 D641,594 S * 7/2011 Huang D7/608
 D646,928 S 10/2011 Specht et al.
 D646,929 S 10/2011 Specht et al.
 D650,703 S * 12/2011 Westphal D9/776
 D702,591 S * 4/2014 Young D11/143
 D729,583 S * 5/2015 Lapsker D7/510
 D766,721 S * 9/2016 Meador D9/500

D790,921 S * 7/2017 Lapsker D7/510
 2001/0054817 A1 12/2001 Kelley et al.
 2004/0134919 A1 7/2004 Irwin et al.
 2005/0242102 A1 11/2005 Groppo
 2007/0272012 A1 11/2007 Subnick
 2008/0210263 A1 9/2008 Brunswick et al.
 2014/0144870 A1 * 5/2014 Brosius A45F 3/18
 215/387

OTHER PUBLICATIONS

Photo 1 (see attached)—Jun. 12, 2008 photo of wine glass that was publicly known or in use by another in the United States prior to the date of the present invention.
 Photo 2 (see attached)—Jun. 12, 2008 photo of wine glass that was publicly known or in use by another in the United States prior to the date of the present invention.
 Photo 3 (see attached)—Jun. 12, 2008 photo of wine glass that was publicly known or in use by another in the United States prior to the date of the present invention.
 Photo 4 (see attached)—Jun. 12, 2008 photo of champagne glass that was publicly known or in use by another in the United States prior to the date of the present invention.
 Photo 5 (see attached)—Jun. 12, 2008 photo of champagne glass that was publicly known or in use by another in the United States prior to the date of the present invention.
 Photo 6 (see attached)—Jun. 12, 2008 photo of bracelets that were publicly known or in use by another in the United States prior to the date of the present invention.
 Photo 7 (see attached)—Jun. 12, 2008 photo of bracelets that were publicly known or in use by another in the United States prior to the date of the present invention.

* cited by examiner

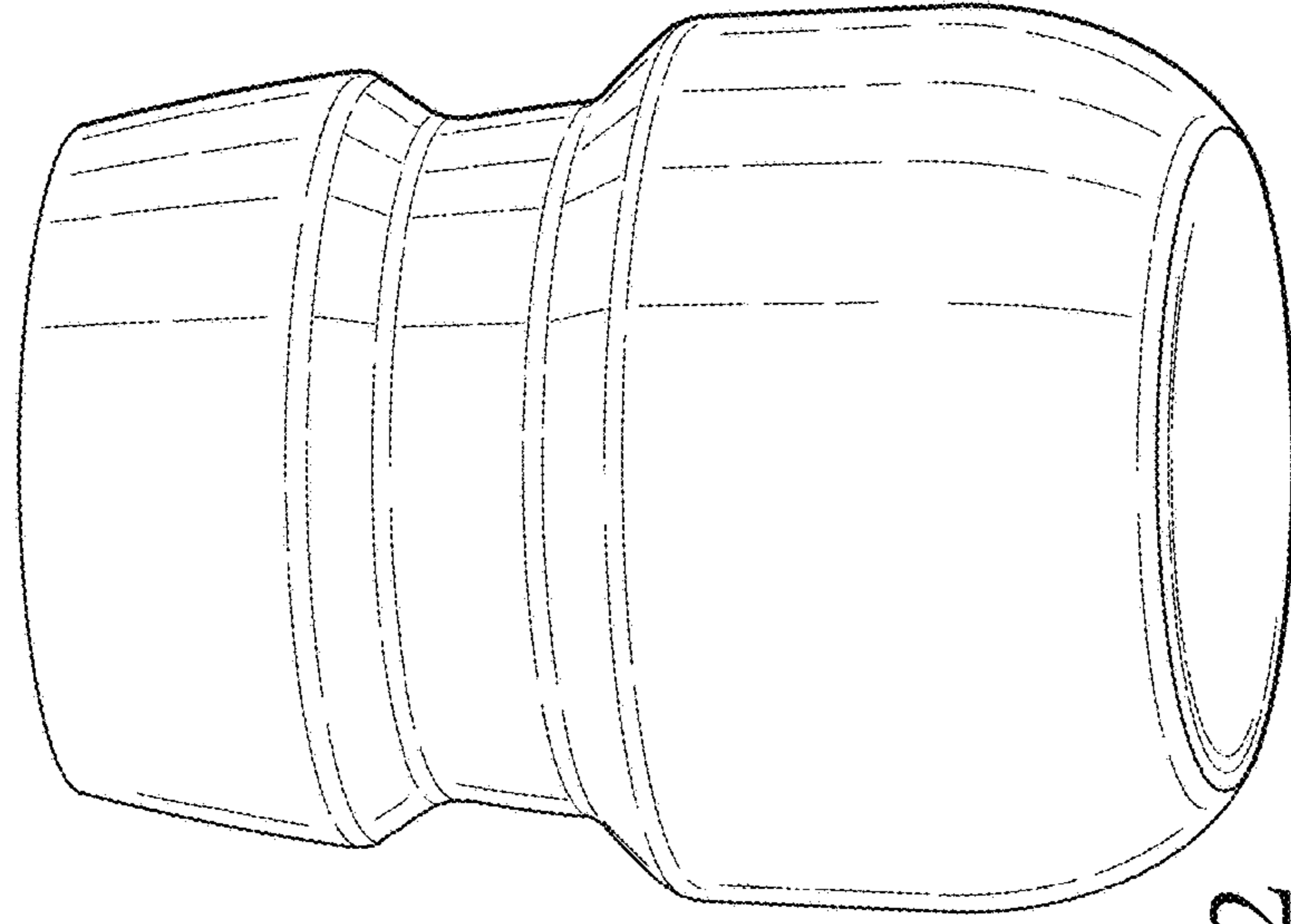


Fig. 1

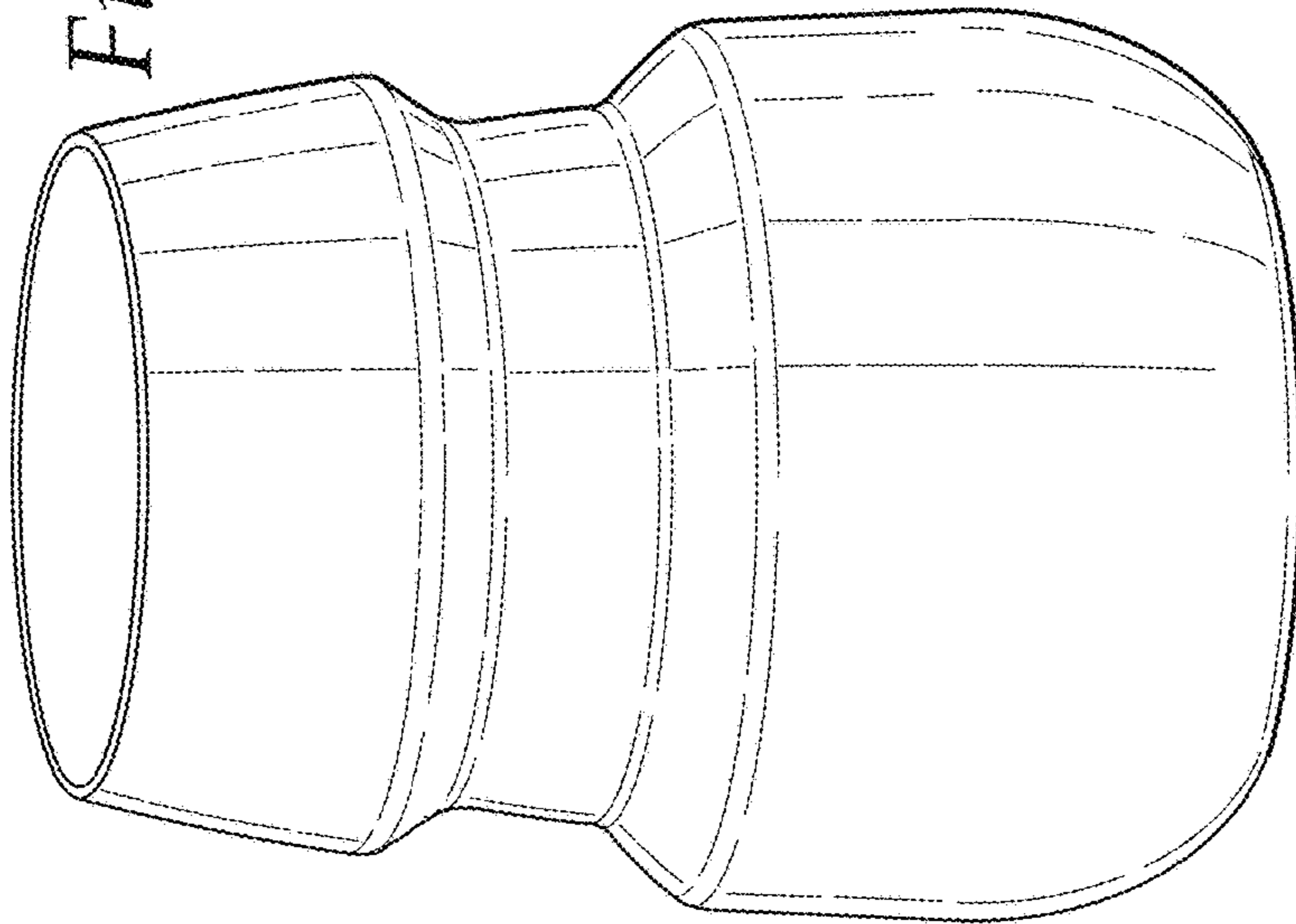


Fig. 2

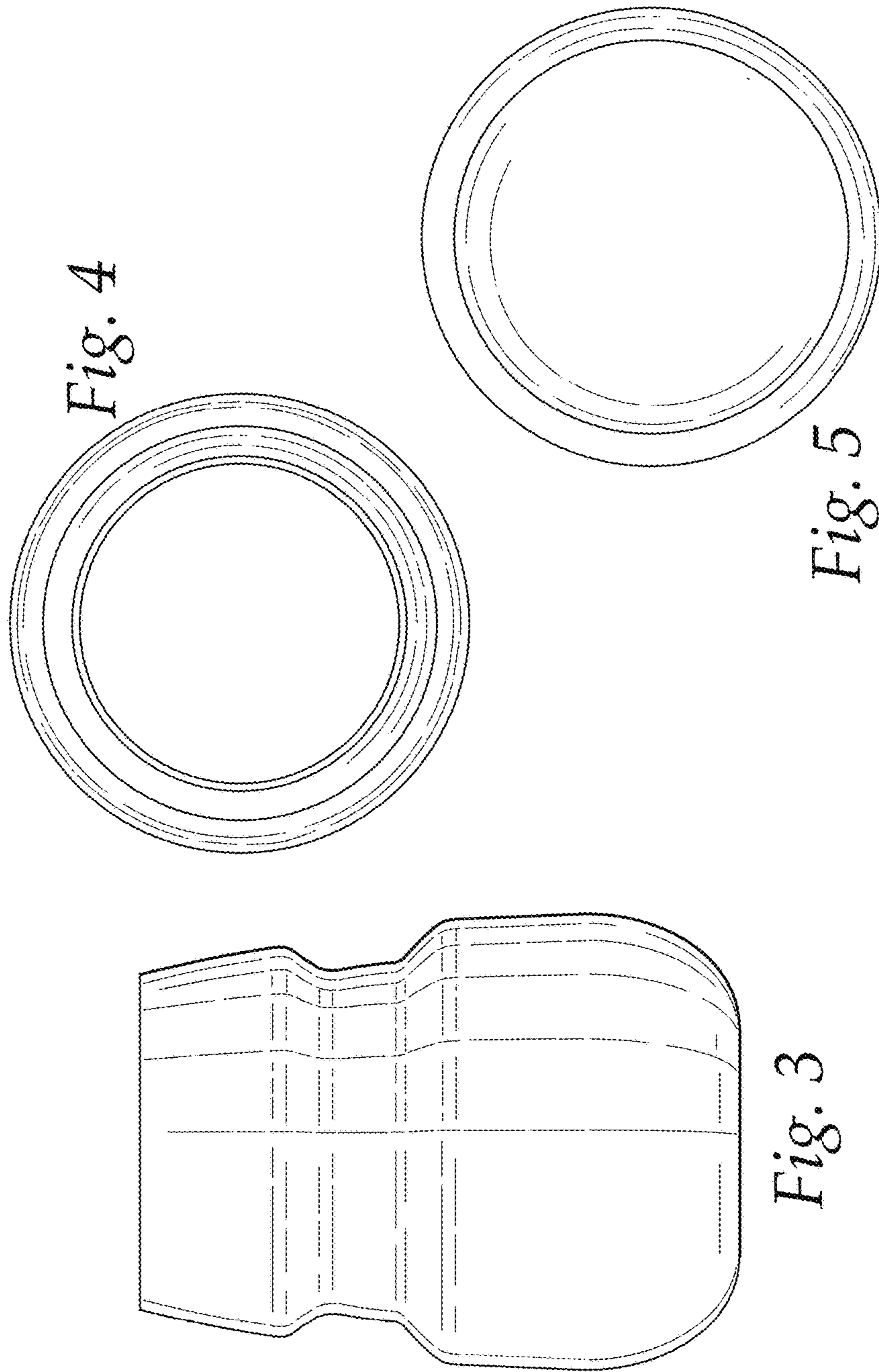


Fig. 4

Fig. 5

Fig. 3