

US00D797509S

(12) **United States Design Patent**  
**Gobrecht**

(10) **Patent No.:** **US D797,509 S**

(45) **Date of Patent:** **\*\* Sep. 19, 2017**

- (54) **TUMBLER**
- (71) Applicants: **THERMOS L.L.C.**, Schaumburg, IL (US); **THERMOS K.K.**, Niigata-ken (JP)
- (72) Inventor: **Thomas Gobrecht**, Gelnhausen (DE)
- (73) Assignees: **THERMOS K.K.** (JP); **THERMOS L.L.C.**, Schaumburg, IL (US)
- (\*\*) Term: **15 Years**
- (21) Appl. No.: **29/571,531**
- (22) Filed: **Jul. 19, 2016**
- (30) **Foreign Application Priority Data**
  - Feb. 16, 2016 (JP) ..... 2016-003280
  - Feb. 16, 2016 (JP) ..... 2016-003281
- (51) **LOC (10) Cl.** ..... **07-01**
- (52) **U.S. Cl.**  
USPC ..... **D7/523**; D9/516; D11/143
- (58) **Field of Classification Search**  
USPC ..... D6/403; D7/300, 300.1, 396.1, 396.2, D7/509, 523, 601, 602, 608, 619.1; D9/414, 428, 434, 435, 454, 500, 502, D9/503, 505, 516, 530, 537, 539, 549, D9/557, 558, 715, 716, 730, 734, 737, D9/738, 745, 763, 772, 766, 777, 778, D9/783; D11/143; D34/1, 5, 6, 7; 206/520; 215/377; 220/908-913; 428/34.1  
CPC .... A47G 19/23; A47G 19/22; A47G 19/2205; A47G 2019/2294; A47G 7/06; Y10T 428/13; Y10T 428/131; B65D 1/10; B65D 1/12; B65D 23/00  
See application file for complete search history.

- 5,547,721 A \* 8/1996 Kuo ..... A47G 7/06 428/34.1
- D703,490 S \* 4/2014 Maire ..... D7/536
- D707,569 S \* 6/2014 Stephens ..... D9/772
- D722,249 S \* 2/2015 Valderrama ..... D7/396.2
- D740,073 S \* 10/2015 Zorovich ..... D7/507
- D756,783 S \* 5/2016 Christopoulos ..... D9/500
- D764,233 S \* 8/2016 Lee ..... D7/509
- D772,079 S \* 11/2016 Ramsey ..... D9/772
- D778,735 S \* 2/2017 Wofford ..... D9/778

\* cited by examiner

*Primary Examiner* — Daniel Bui

*Assistant Examiner* — Andrew Kerr

(74) *Attorney, Agent, or Firm* — Polsinelli PC

(57) **CLAIM**

The ornamental design for a tumbler, as shown and described.

**DESCRIPTION**

FIG. 1 is a perspective view of a first embodiment of a tumbler, showing my new design.

FIG. 2 is a front elevation view thereof. A rear elevation view, a left side elevation view and a right side elevation view are identical to the front elevation view.

FIG. 3 is a top plan view thereof.

FIG. 4 is a bottom plan view thereof.

FIG. 5 is a perspective view of a second embodiment of a tumbler.

FIG. 6 is a front elevation view thereof. A rear elevation view, a left side elevation view and a right side elevation view are identical to the front elevation view.

FIG. 7 is a top plan view thereof; and,

FIG. 8 is a bottom plan view thereof.

The broken lines showing in the figures are included for the purpose of illustrating portions of the tumbler that form no part of the claimed design.

**1 Claim, 8 Drawing Sheets**

- (56) **References Cited**  
U.S. PATENT DOCUMENTS  
D309,553 S \* 7/1990 Daenen ..... D7/591  
D318,225 S \* 7/1991 Cassai ..... D9/772

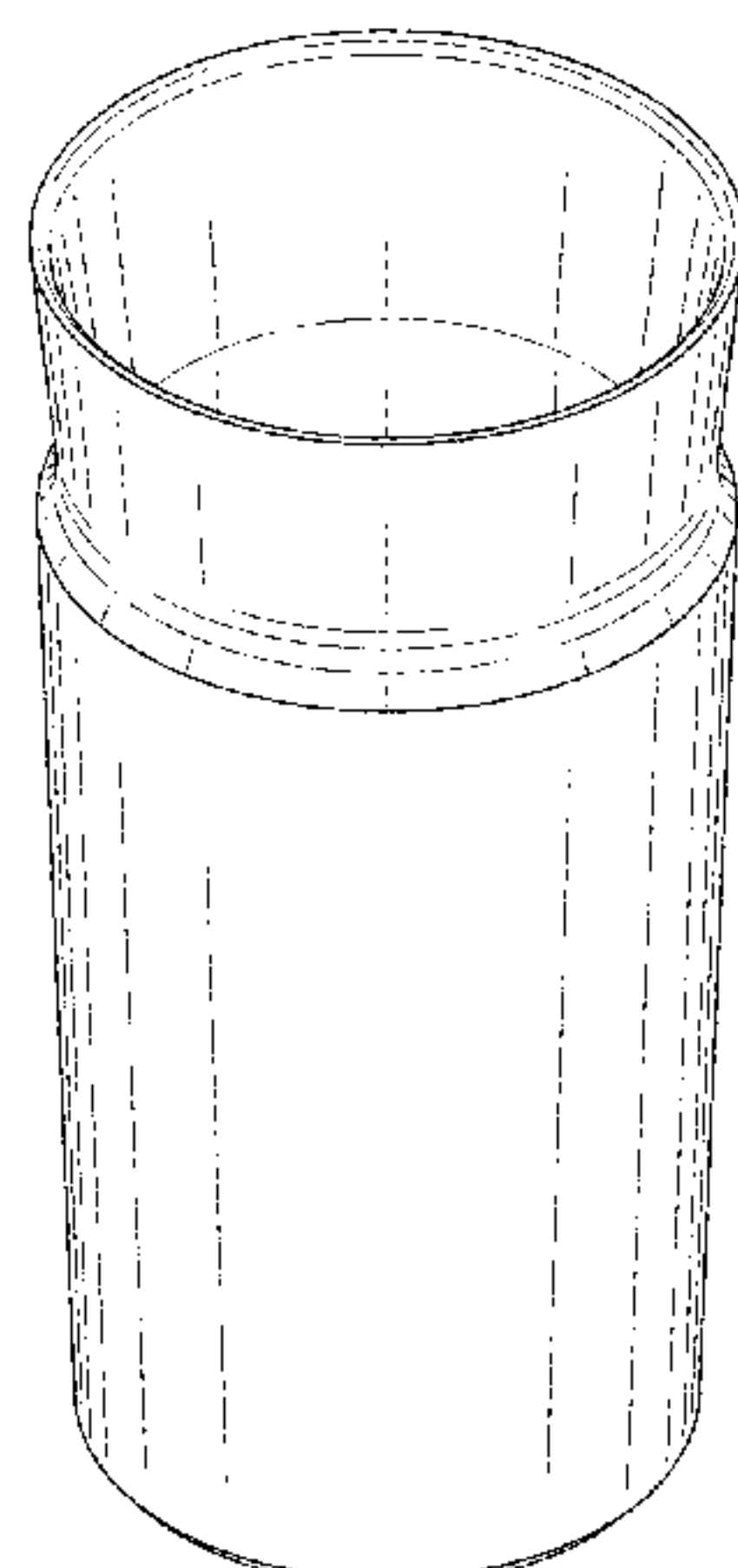


FIG. 1

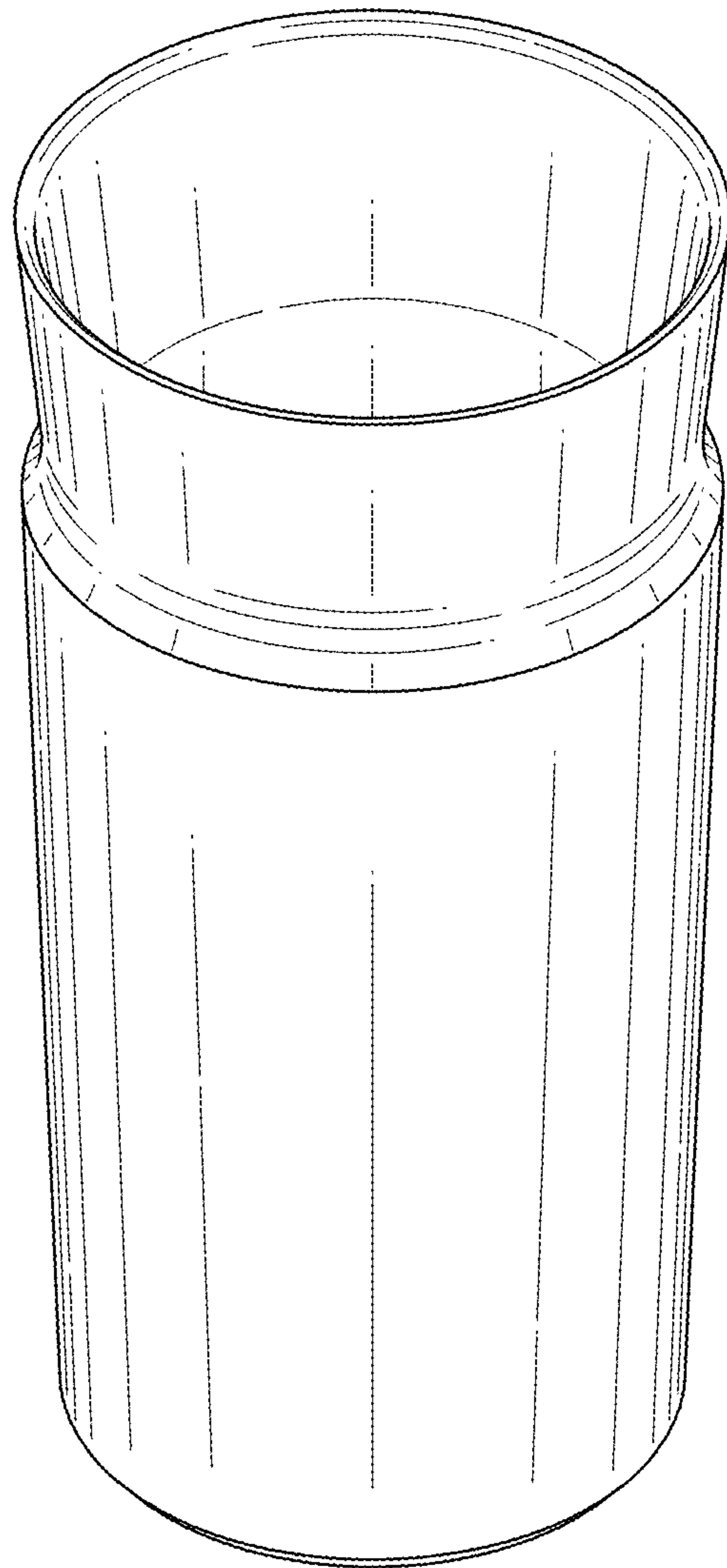


FIG. 2

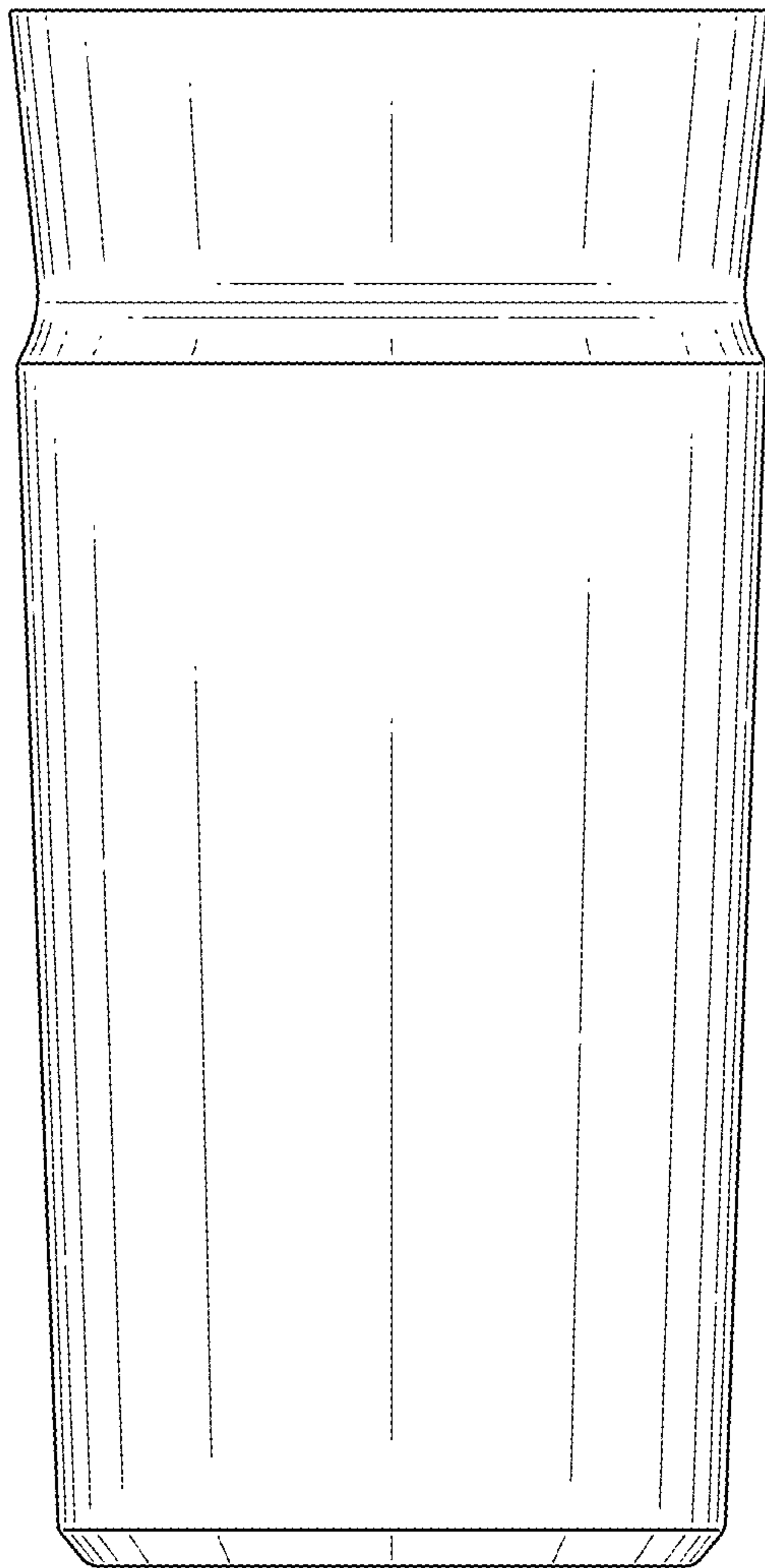


FIG. 3

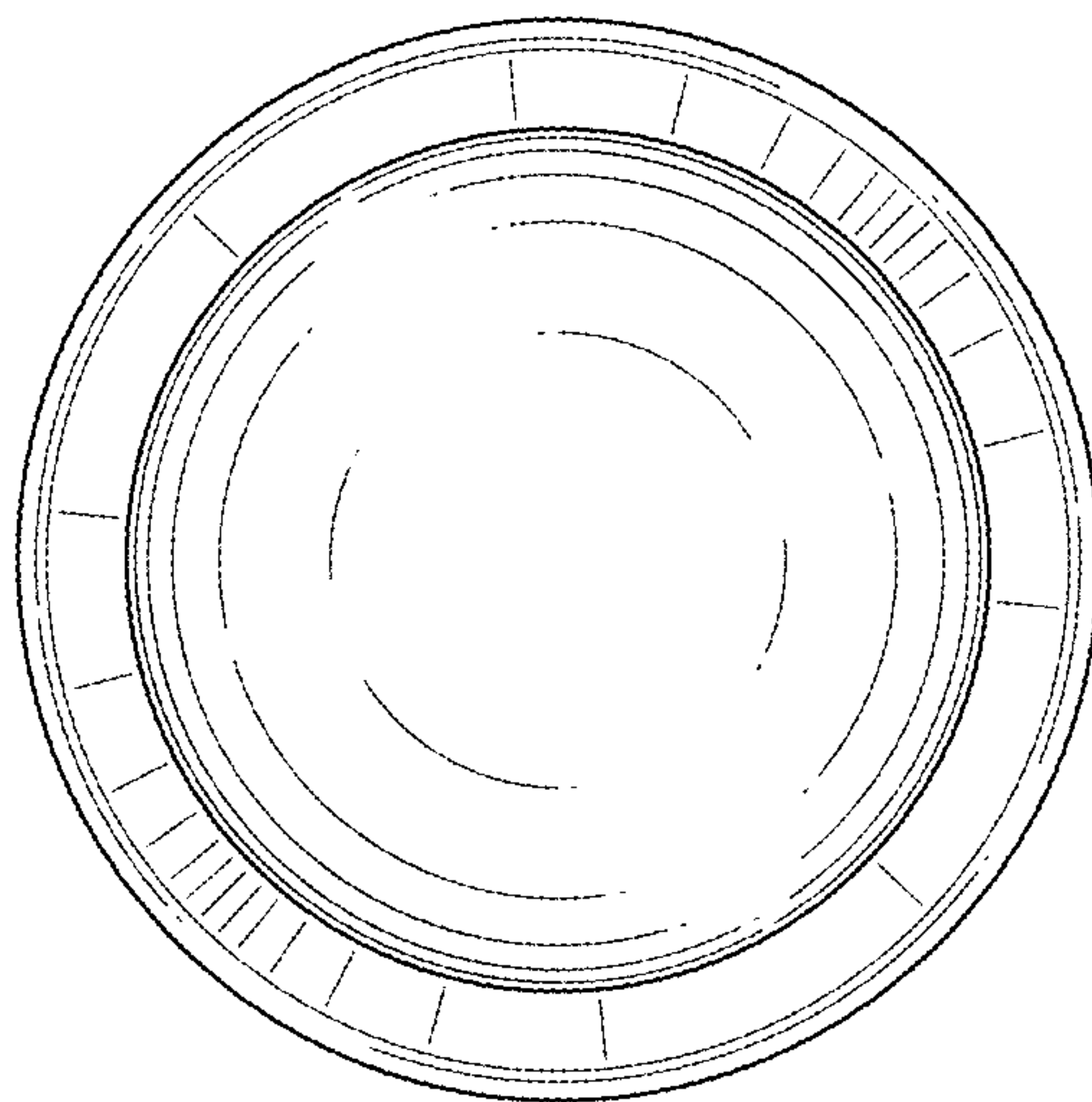


FIG. 4

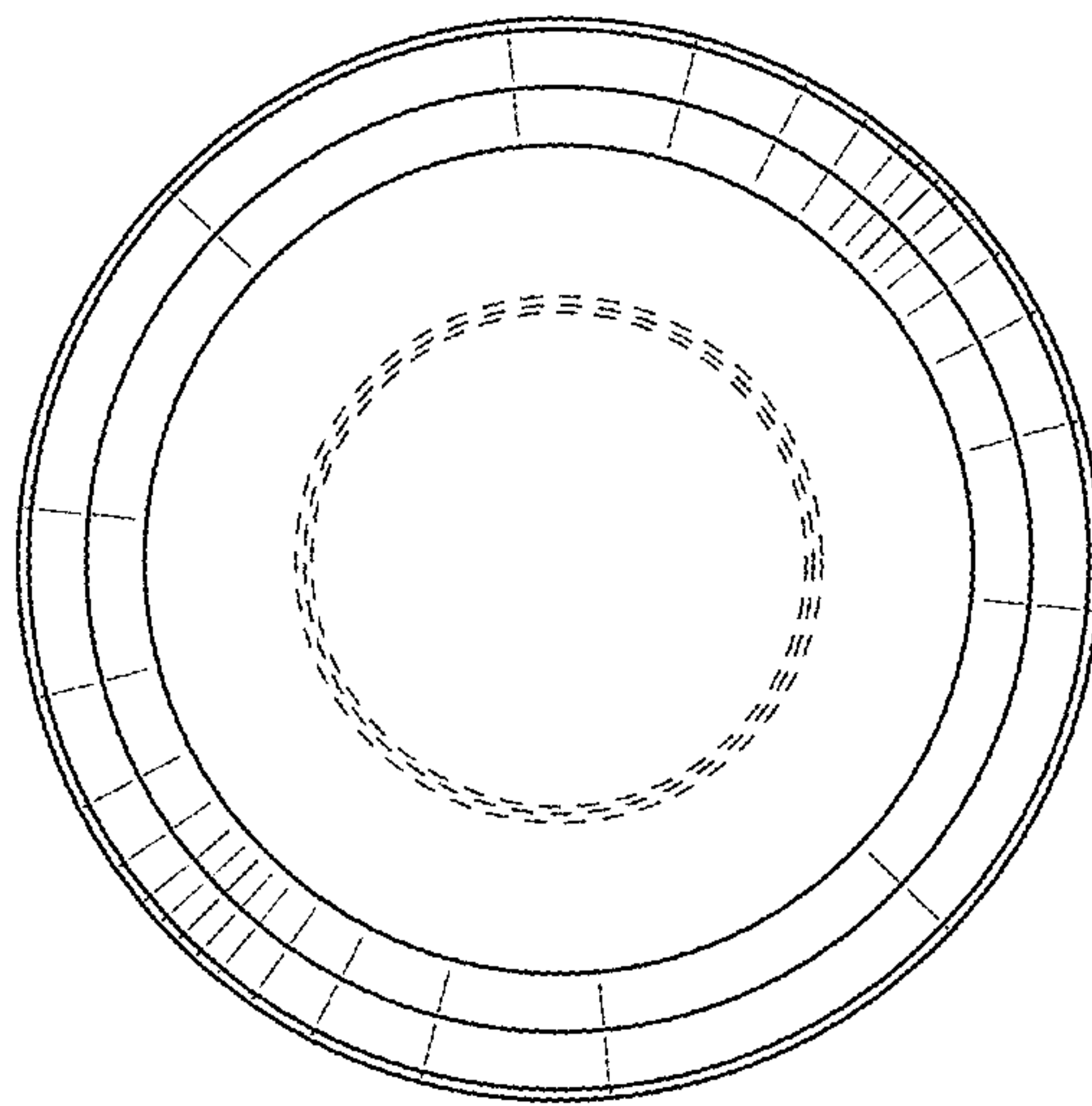


FIG. 5

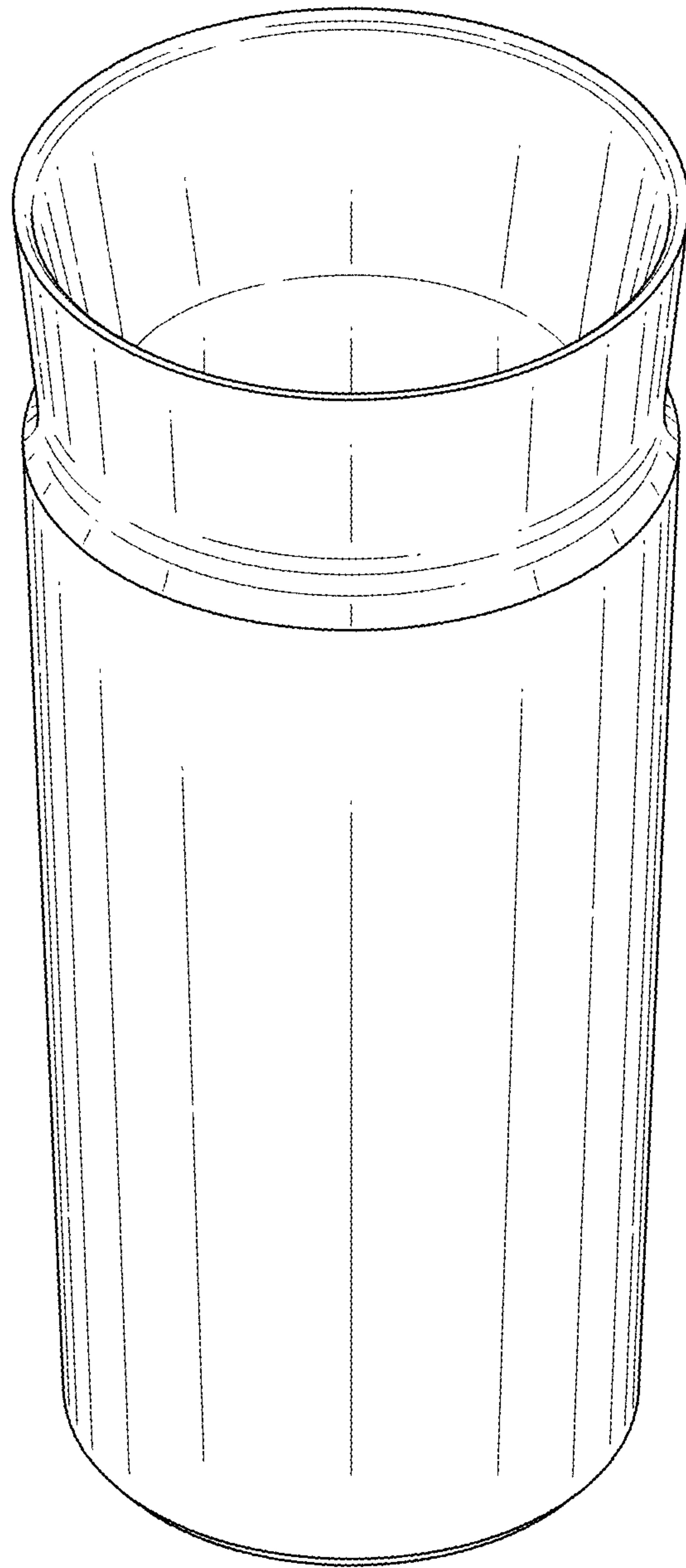


FIG. 6

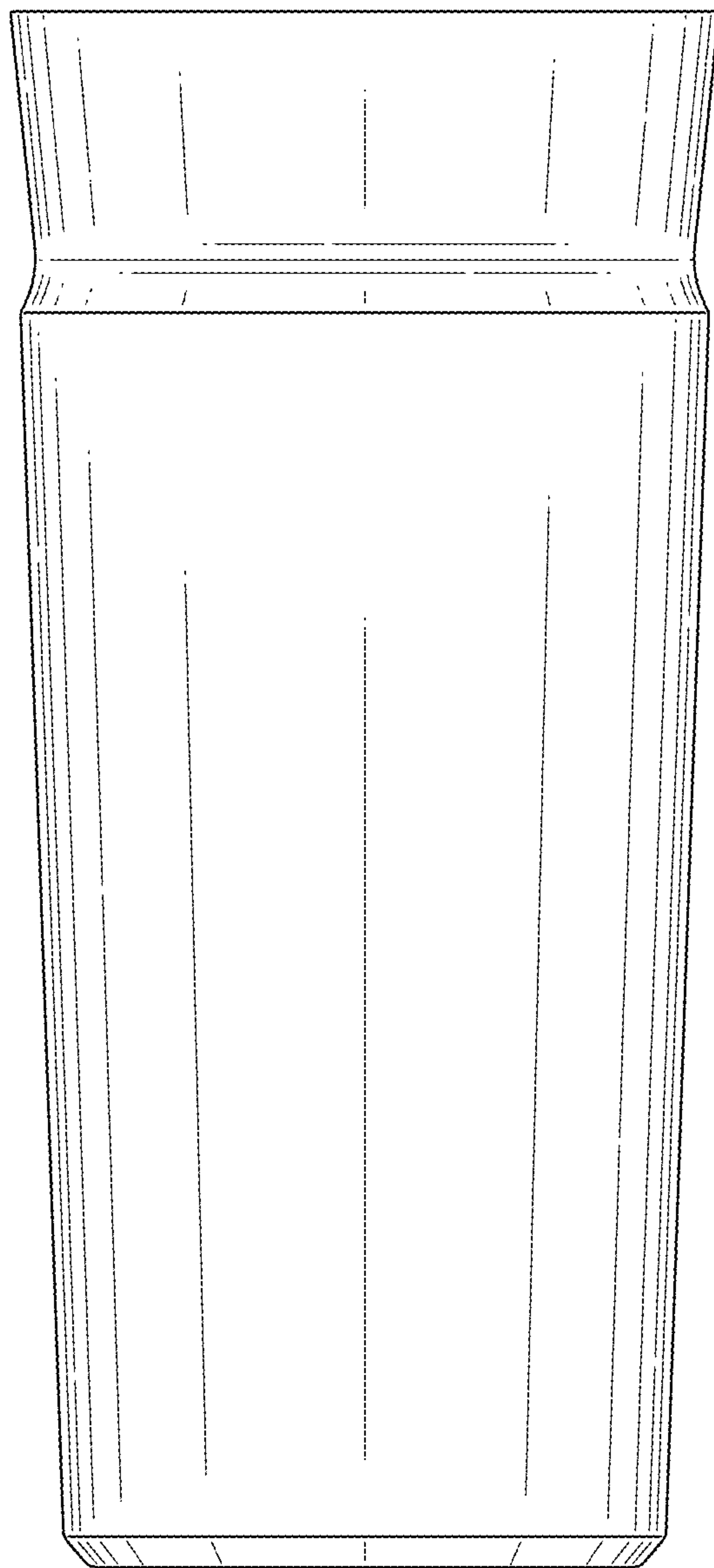




FIG. 7

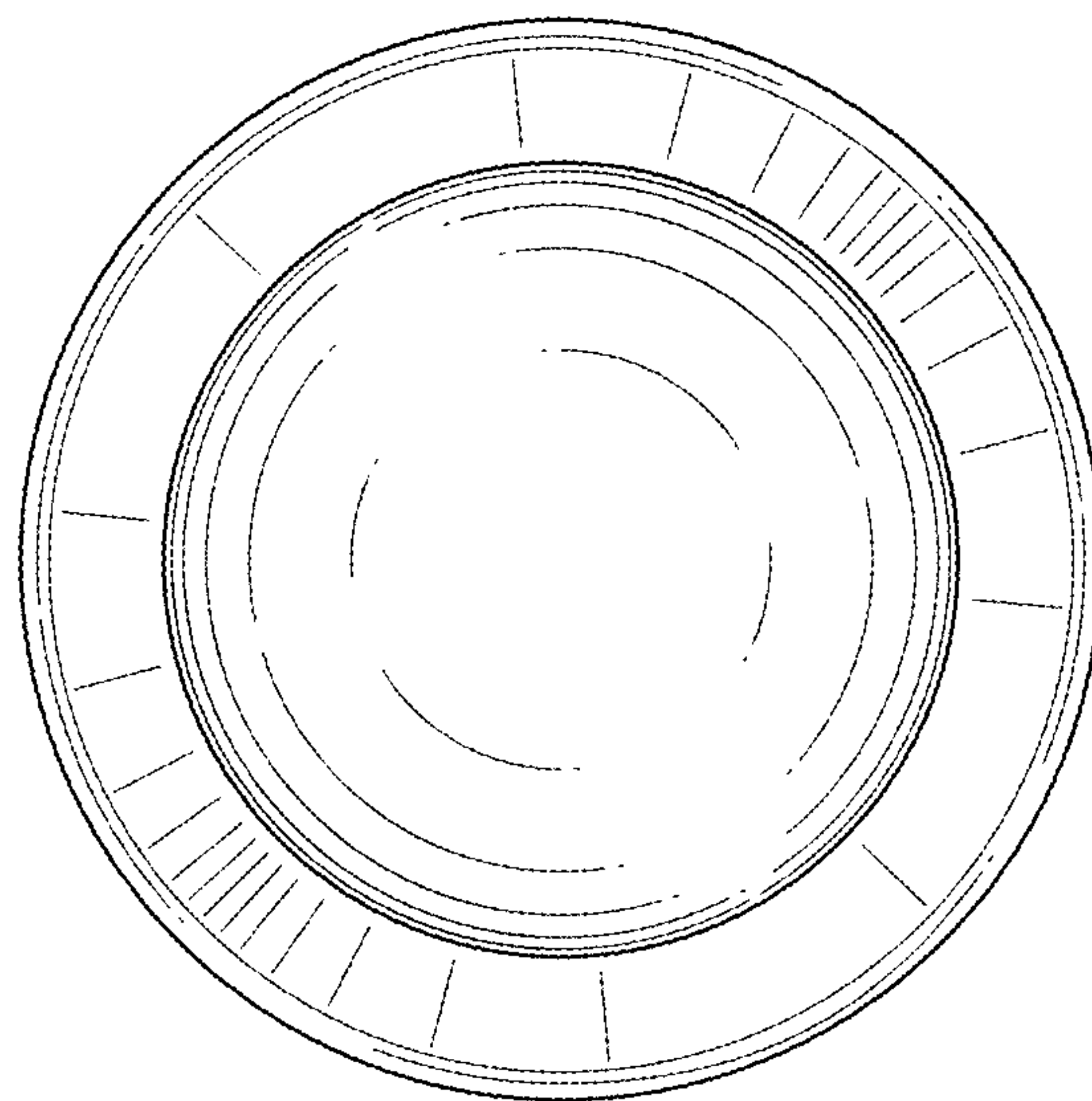




FIG. 8

