



US00D797508S

(12) **United States Design Patent** (10) **Patent No.:** **US D797,508 S**
Gobrecht (45) **Date of Patent:** **** Sep. 19, 2017**

(54) **TUMBLER**

(71) Applicants: **THERMOS L.L.C.**, Schaumburg, IL (US); **THERMOS K.K.**, Niigata-ken (JP)

(72) Inventor: **Thomas Gobrecht**, Gelnhausen (DE)

(73) Assignees: **THERMOS K.K.** (JP); **THERMOS L.L.C.**, Schaumburg, IL (US)

(**) Term: **15 Years**

(21) Appl. No.: **29/571,527**

(22) Filed: **Jul. 19, 2016**

(30) **Foreign Application Priority Data**

Feb. 16, 2016 (JP) 2016-003278
Feb. 16, 2016 (JP) 2016-003279

(51) **LOC (10) Cl.** **07-01**

(52) **U.S. Cl.**
USPC **D7/523**; D9/516; D11/143

(58) **Field of Classification Search**
USPC D6/403; D7/300, 300.1, 396.1, 396.2, D7/509, 523, 601, 602, 608, 619.1; D9/414, 428, 434, 435, 454, 500, 502, D9/503, 505, 516, 530, 537, 539, 549, D9/557, 558, 715, 716, 730, 734, 737, D9/738, 745, 763, 772, 766, 777, 778, D9/783; D11/143; D34/1, 5, 6, 7; 206/520; 215/377; 220/908-913; 428/34.1
CPC A47G 19/23; A47G 19/22; A47G 19/2205; A47G 2019/2294; A47G 7/06; Y10T 428/13; Y10T 428/131; B65D 1/00; B65D 1/10; B65D 1/12; B65D 23/00

See application file for complete search history.

(56) **References Cited**

U.S. PATENT DOCUMENTS

D204,826 S *	5/1966	Roberts	D9/549
D291,968 S *	9/1987	MacLaughlin	D9/429
D713,205 S *	9/2014	Katterheinrich	D7/523
D714,644 S *	10/2014	Wagner	D9/500
D740,121 S *	10/2015	Wagner	D9/500
D755,019 S *	5/2016	Kent	D7/630
D761,060 S *	7/2016	Thonis	D7/536
D771,439 S *	11/2016	Miller	D7/509
D779,291 S *	2/2017	Kassouni	D7/669
D779,372 S *	2/2017	Kornegay	D11/154

* cited by examiner

Primary Examiner — Daniel Bui

Assistant Examiner — Andrew Kerr

(74) *Attorney, Agent, or Firm* — Polsinelli PC

(57) **CLAIM**

The ornamental design for a tumbler, as shown and described.

DESCRIPTION

FIG. 1 is a perspective view of a first embodiment of a tumbler showing my new design.

FIG. 2 is a front elevation view thereof. A rear elevation view, a left side elevation view and a right side elevation view are identical to the front elevation view.

FIG. 3 is a top plan view thereof.

FIG. 4 is a bottom plan view thereof.

FIG. 5 is a perspective view of a second embodiment of a tumbler.

FIG. 6 is a front elevation view thereof. A rear elevation view, a left side elevation view and a right side elevation view are identical to the front elevation view.

FIG. 7 is a top plan view thereof; and,

FIG. 8 is a bottom plan view thereof.

The broken lines showing in the figures are included for the purpose of illustrating portions of the tumbler that form no part of the claimed design.

1 Claim, 8 Drawing Sheets

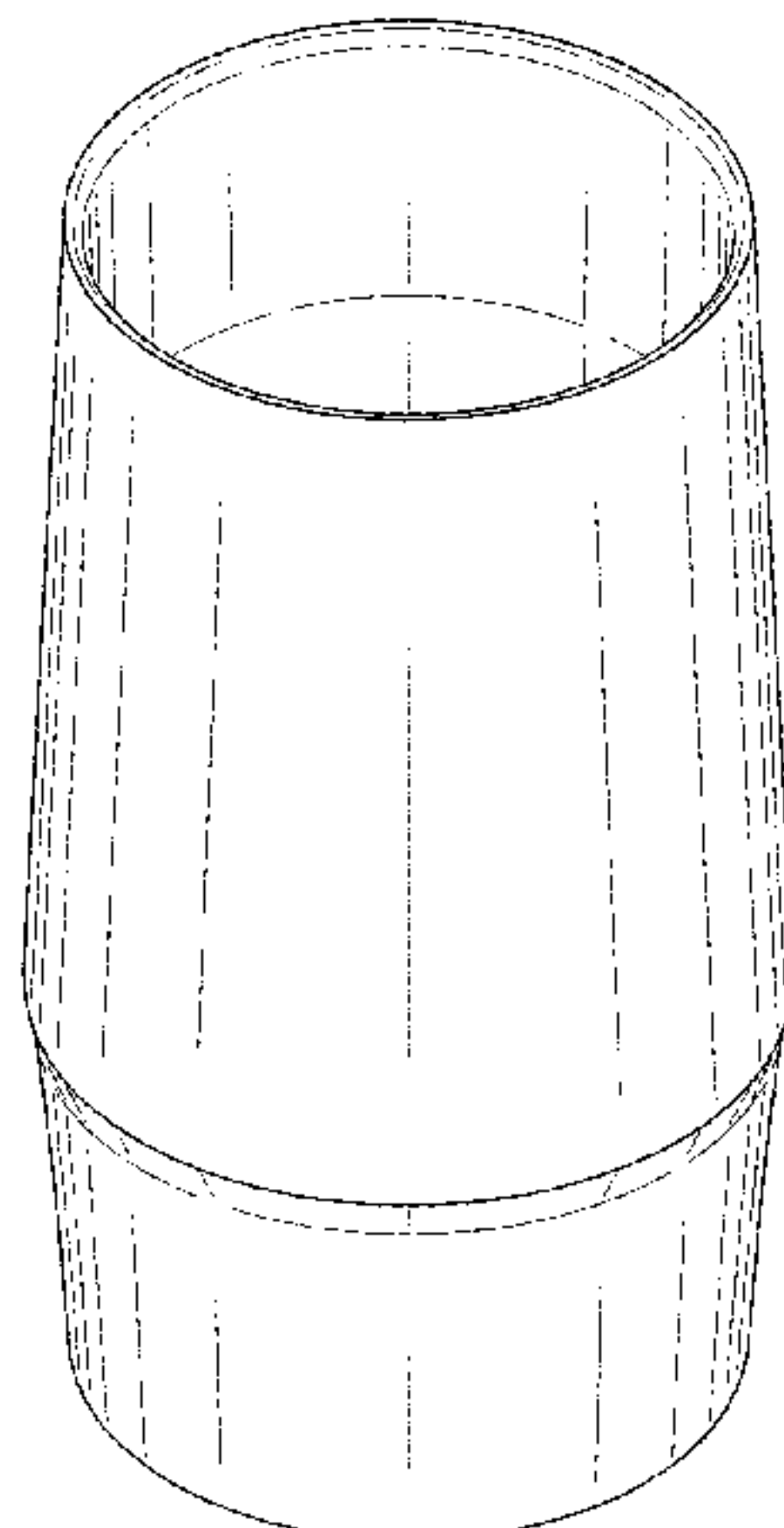


FIG. 1

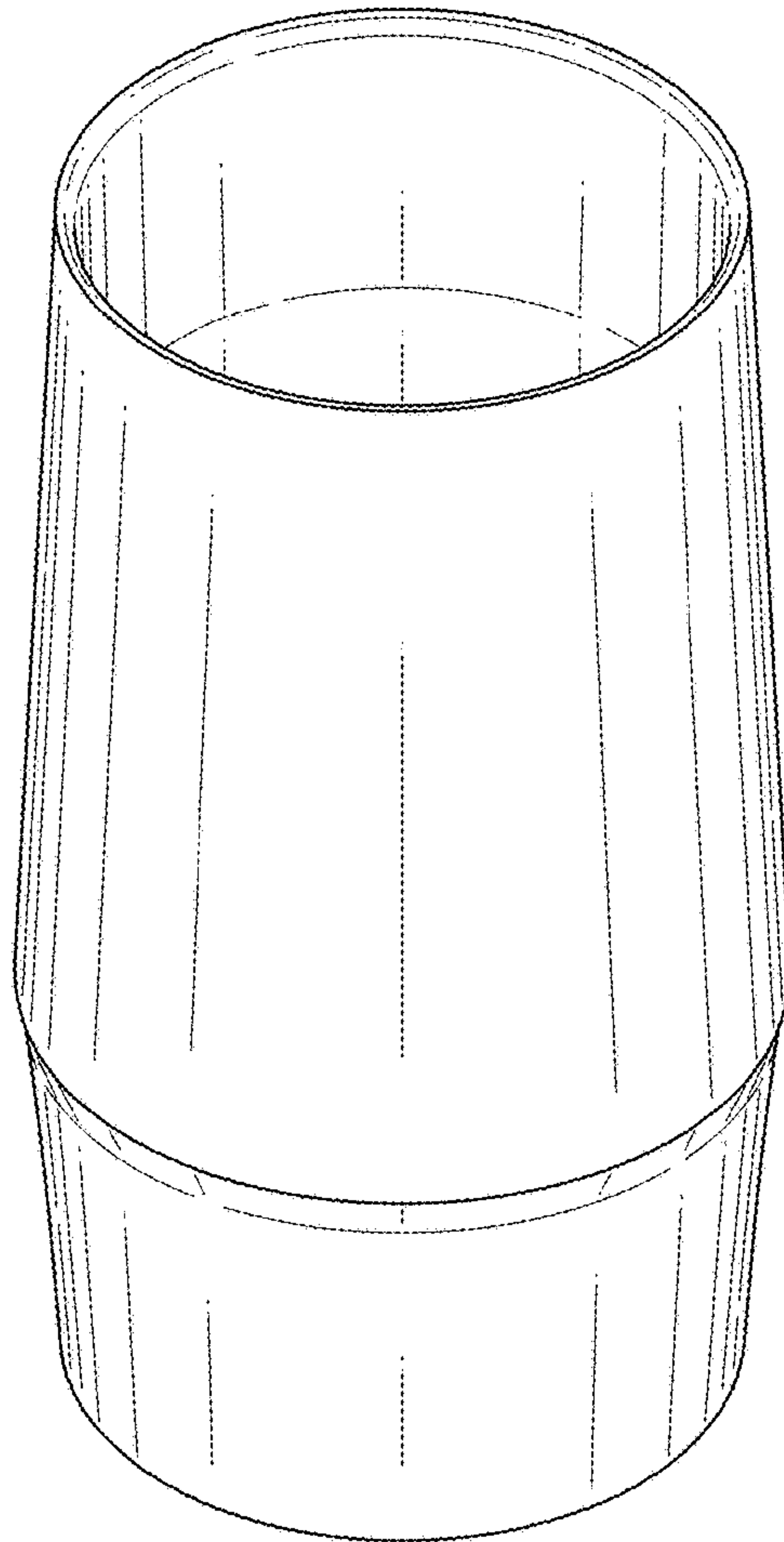


FIG. 2

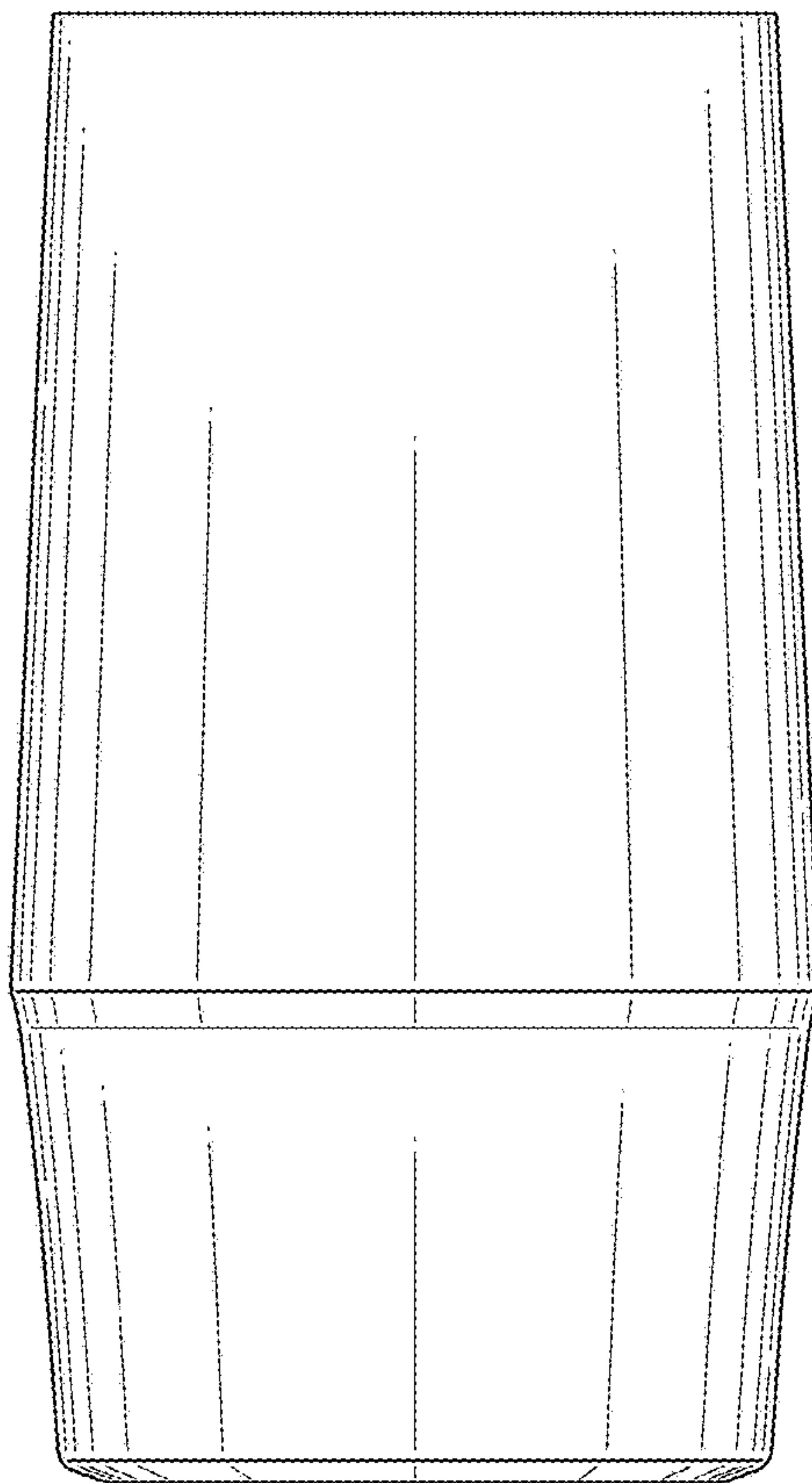


FIG. 3

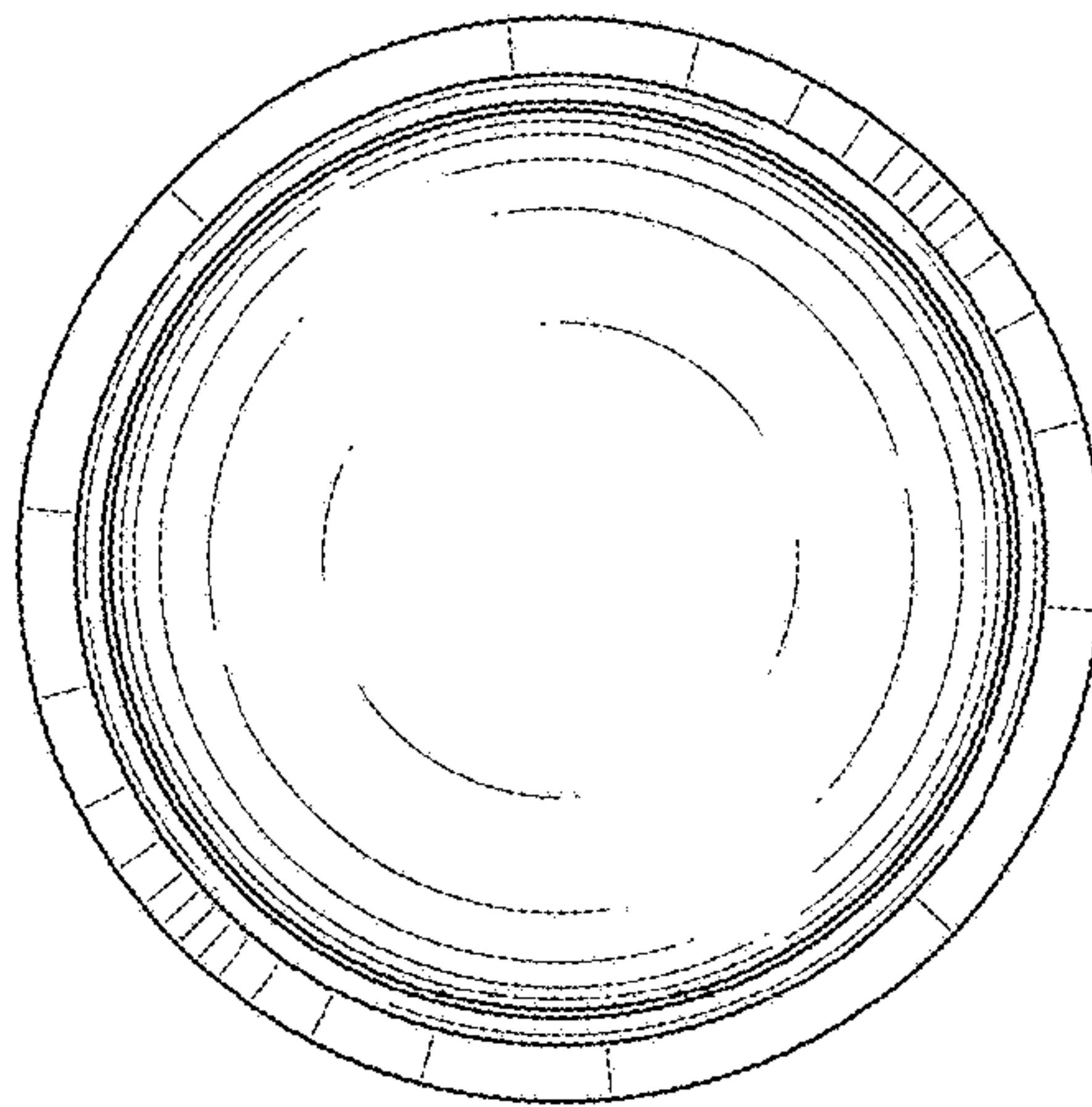


FIG. 4

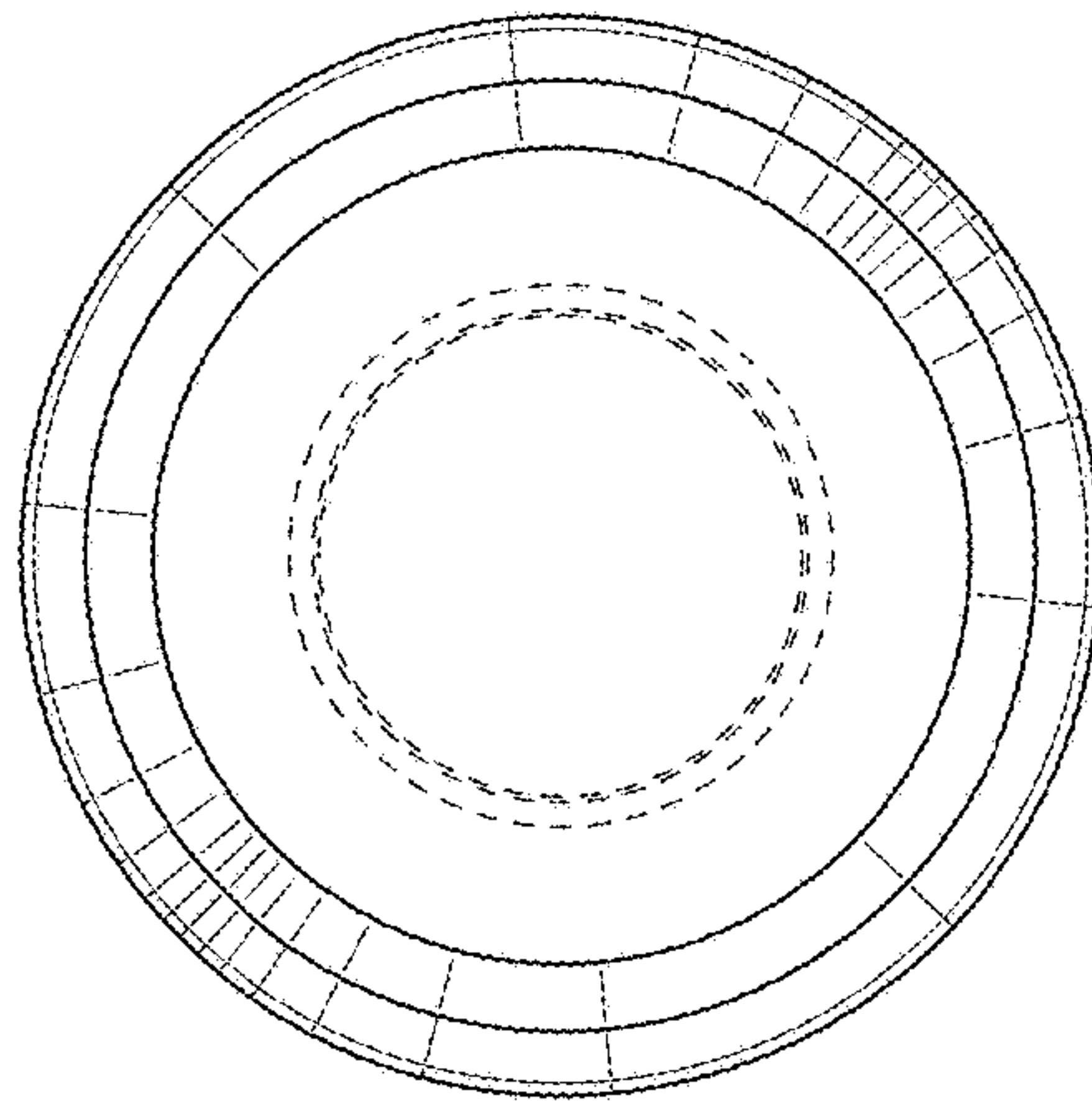


FIG. 5

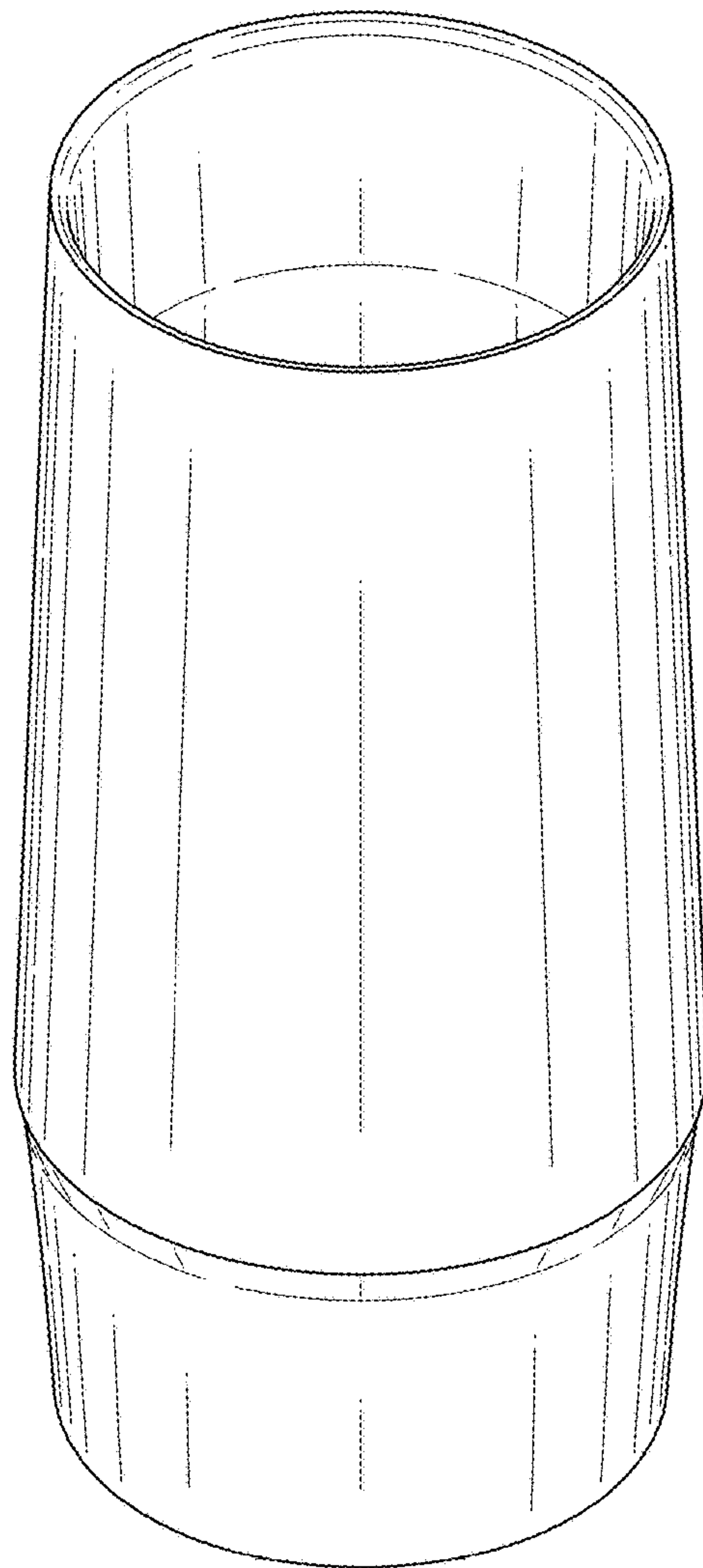


FIG. 6

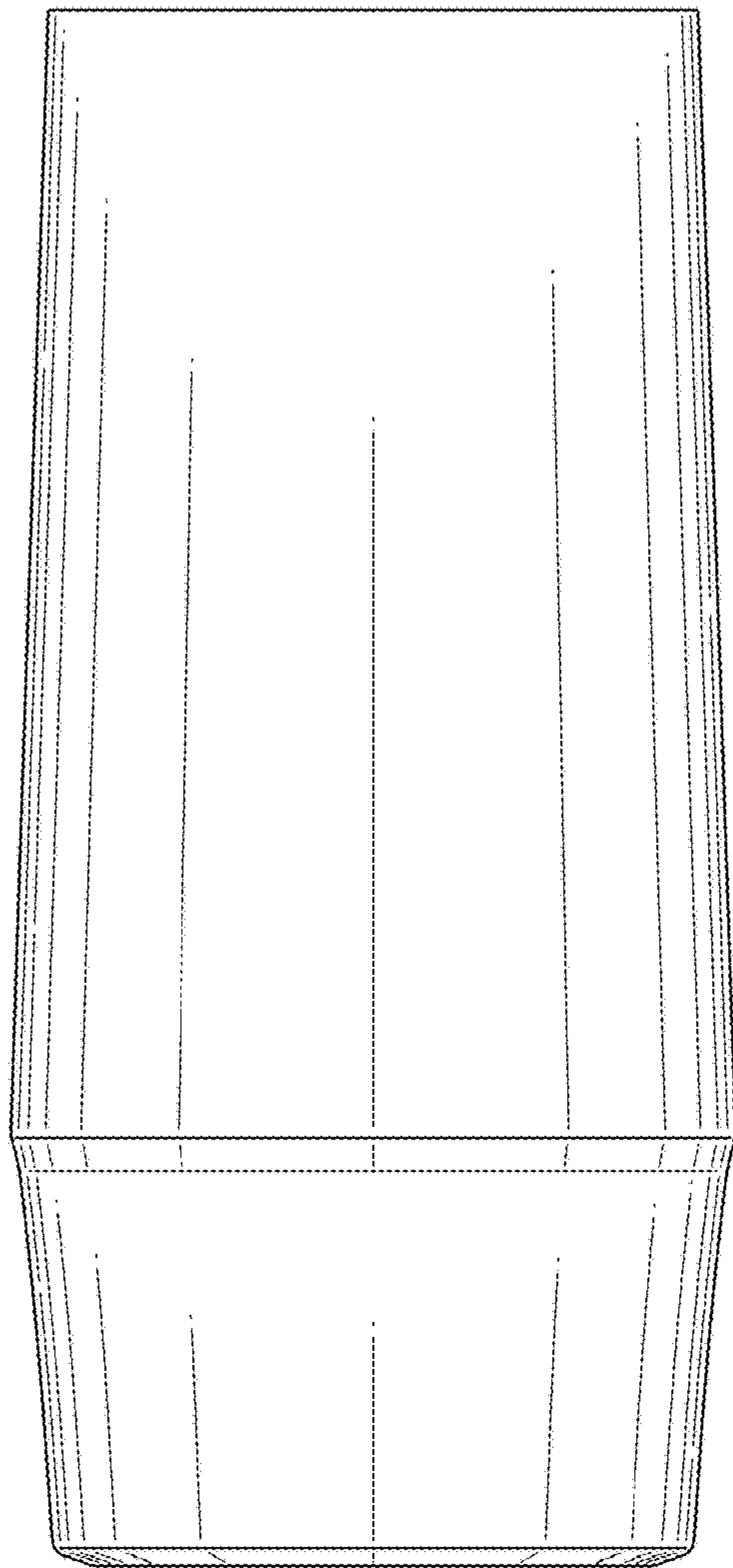


FIG. 7

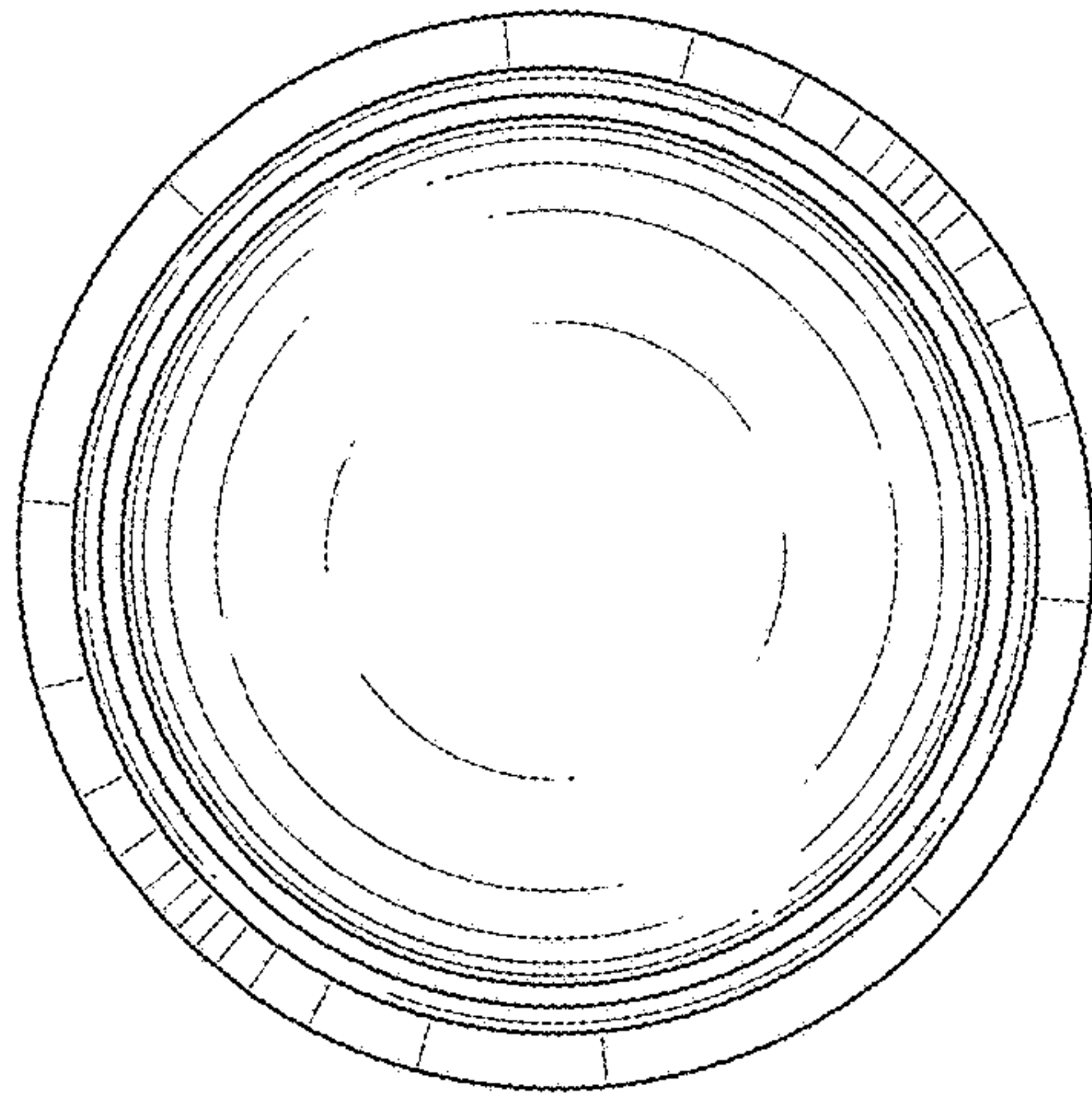


FIG. 8

