



US00D797504S

(12) **United States Design Patent** (10) **Patent No.:** **US D797,504 S**
Shoemaker et al. (45) **Date of Patent:** **** Sep. 19, 2017**

(54) **OVEN COOKTOP GRATE**
 (71) Applicant: **Sears Brands, L.L.C.**, Hoffman Estates, IL (US)
 (72) Inventors: **Anthony Shoemaker**, Bartlett, IL (US); **Jason Silverstein**, Hoffman Estates, IL (US); **Daniel Green**, Charlotte, NC (US); **Roddy Burgess**, Charlotte, NC (US)
 (73) Assignee: **SEARS BRANDS, L.L.C.**, Hoffman Estates, IL (US)

D585,241 S * 1/2009 Geiger D7/408
 D602,738 S * 10/2009 Bengtson D7/408
 D616,695 S * 6/2010 Grey D7/340
 D622,543 S * 8/2010 Funnell D7/408
 D628,017 S * 11/2010 Funnell D7/408
 D633,337 S * 3/2011 Funnell, II D7/408
 D634,579 S * 3/2011 Funnell, II D7/346
 D669,728 S * 10/2012 Funnell, II D7/340
 D697,358 S * 1/2014 Kim D7/340
 D722,820 S * 2/2015 Pionek D7/408
 D738,683 S * 9/2015 Segers D7/408
 D765,459 S * 9/2016 Shoemaker D7/339
 D767,326 S * 9/2016 Shoemaker D7/339
 D773,232 S * 12/2016 Shoemaker D7/339
 2016/0025347 A1 * 1/2016 Cadima F23D 14/06
 126/39 E

(**) Term: **15 Years**

* cited by examiner

(21) Appl. No.: **29/528,391**

Primary Examiner — Sheryl Lane

(22) Filed: **May 28, 2015**

Assistant Examiner — Nicole Shiflet

(51) **LOC (10) Cl.** **07-02**

(74) *Attorney, Agent, or Firm* — McAndrews, Held & Malloy, Ltd.

(52) **U.S. Cl.**
USPC **D7/408**

(57) **CLAIM**

(58) **Field of Classification Search**
 USPC D7/407-409, 402, 339-341, 346-347, D7/362; D23/397, 402
 CPC F24C 15/107; F24C 15/12; F24C 15/36; F24C 3/08; F24C 3/082; F24C 3/085; F24C 7/067; F24C 7/062; F24C 7/082; F24C 7/081; A47J 37/0709
 See application file for complete search history.

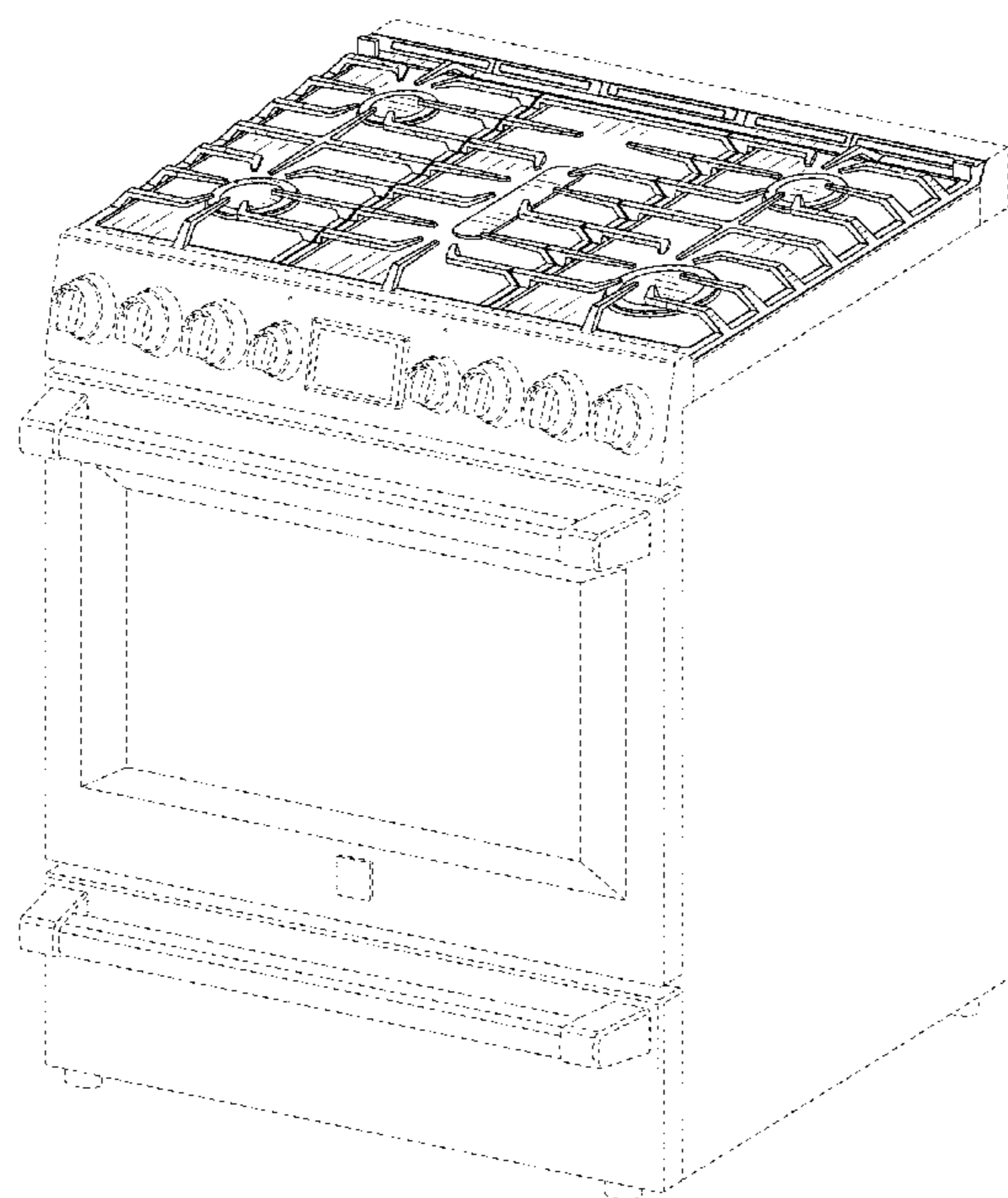
The ornamental design for an oven cooktop grate, as shown and described.

DESCRIPTION

FIG. 1 is a top right front perspective view of an oven cooktop grate showing our new design;
 FIG. 2 is a front view thereof;
 FIG. 3 is a left-side elevation view thereof;
 FIG. 4 is a right-side elevation view thereof; and,
 FIG. 5 is a top plan view thereof.
 The dashed broken lines are for environmental purposes only and form no part of the claimed design.

(56) **References Cited**
 U.S. PATENT DOCUMENTS
 D378,262 S * 3/1997 Sparks D7/408
 D524,601 S * 7/2006 Vetter F24C 15/107
 D7/408

1 Claim, 5 Drawing Sheets



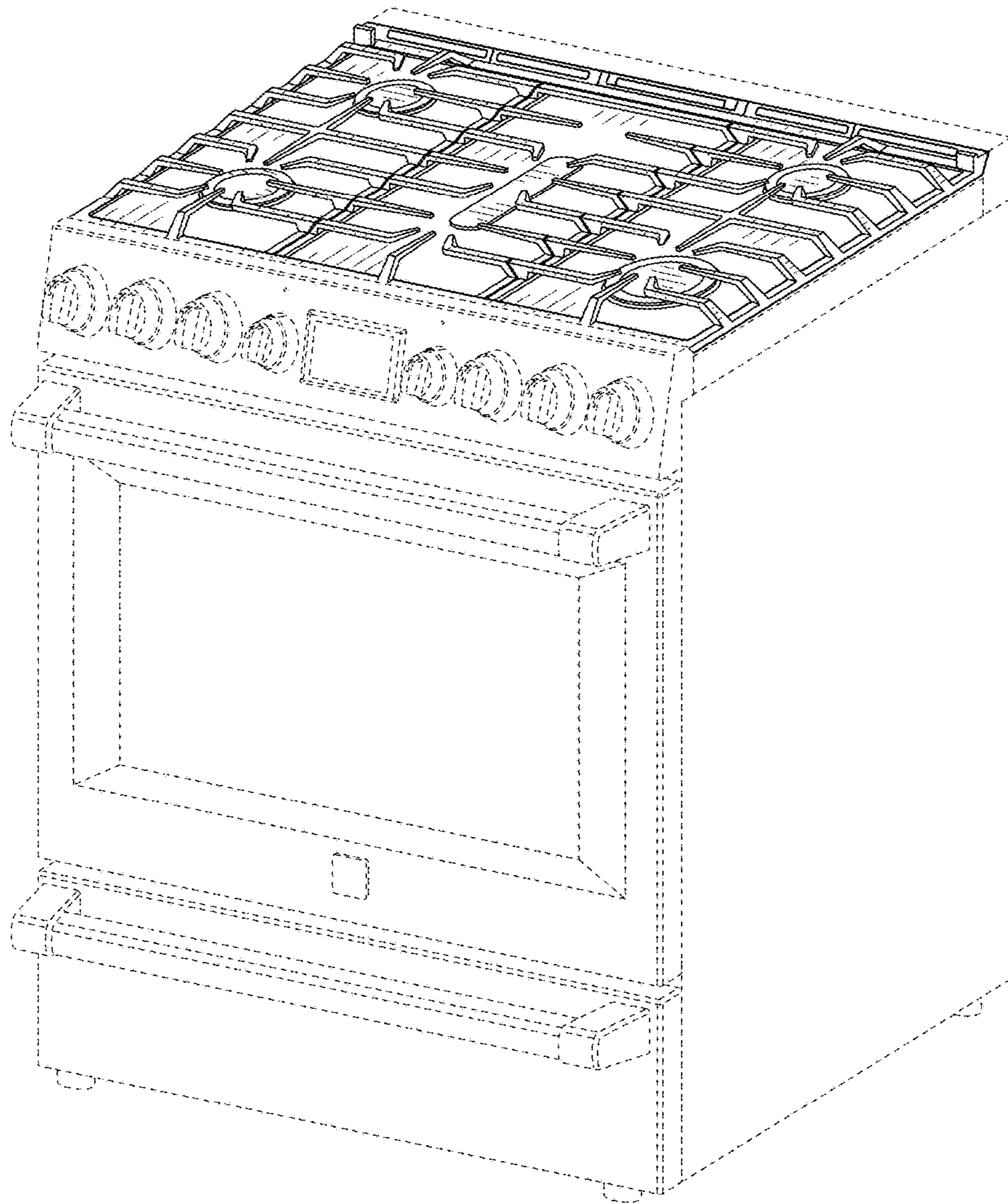


FIG. 1

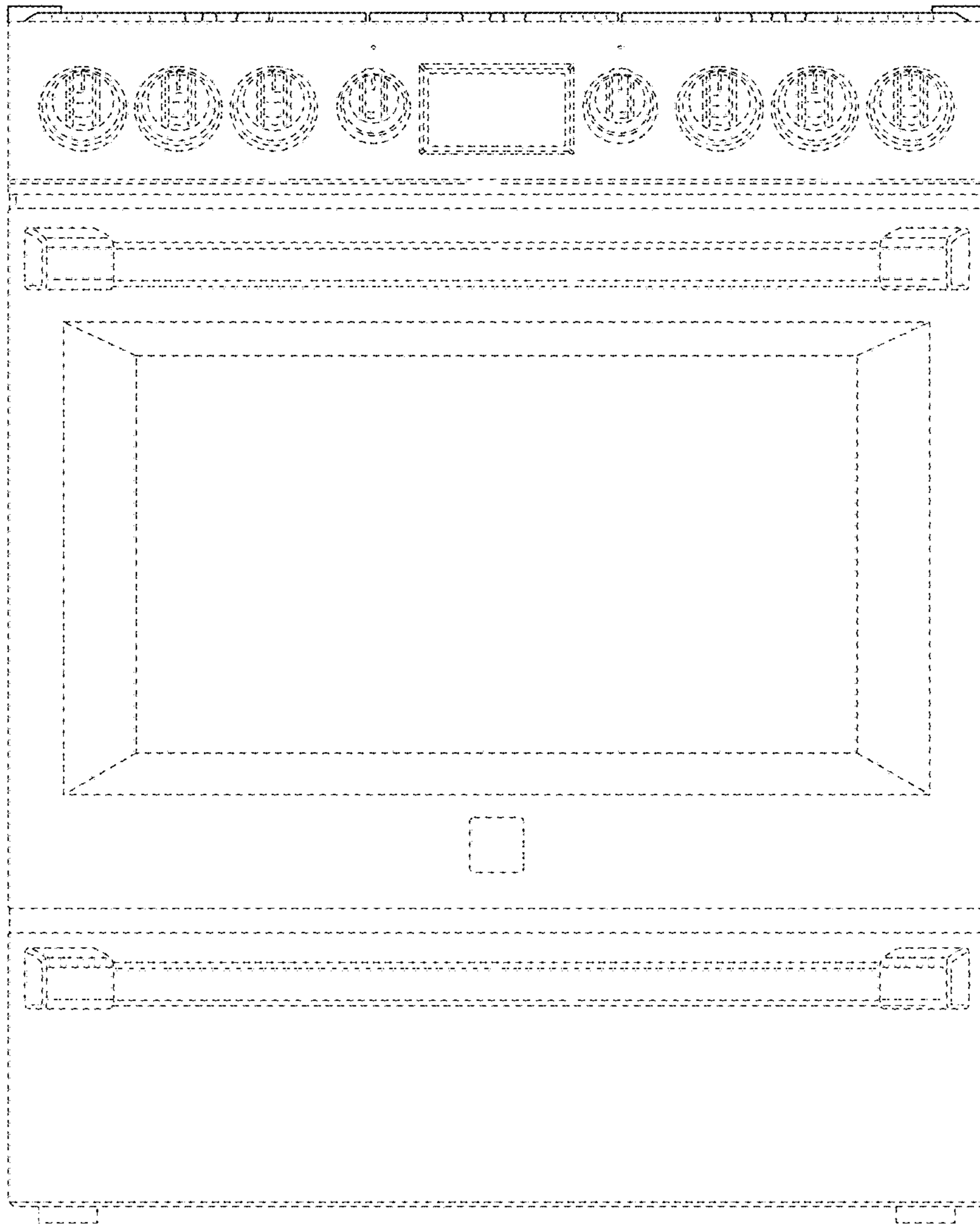


FIG. 2

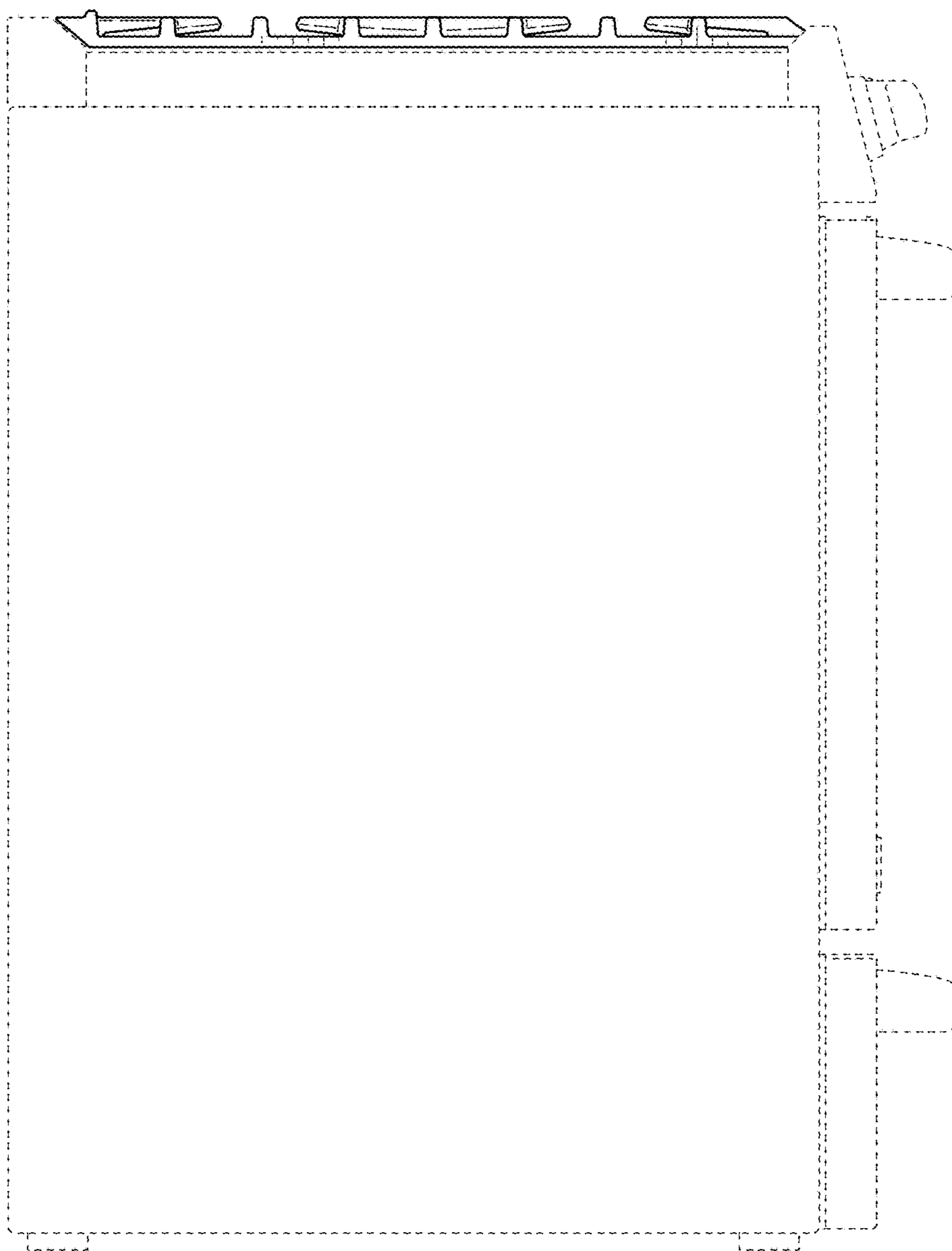


FIG. 3

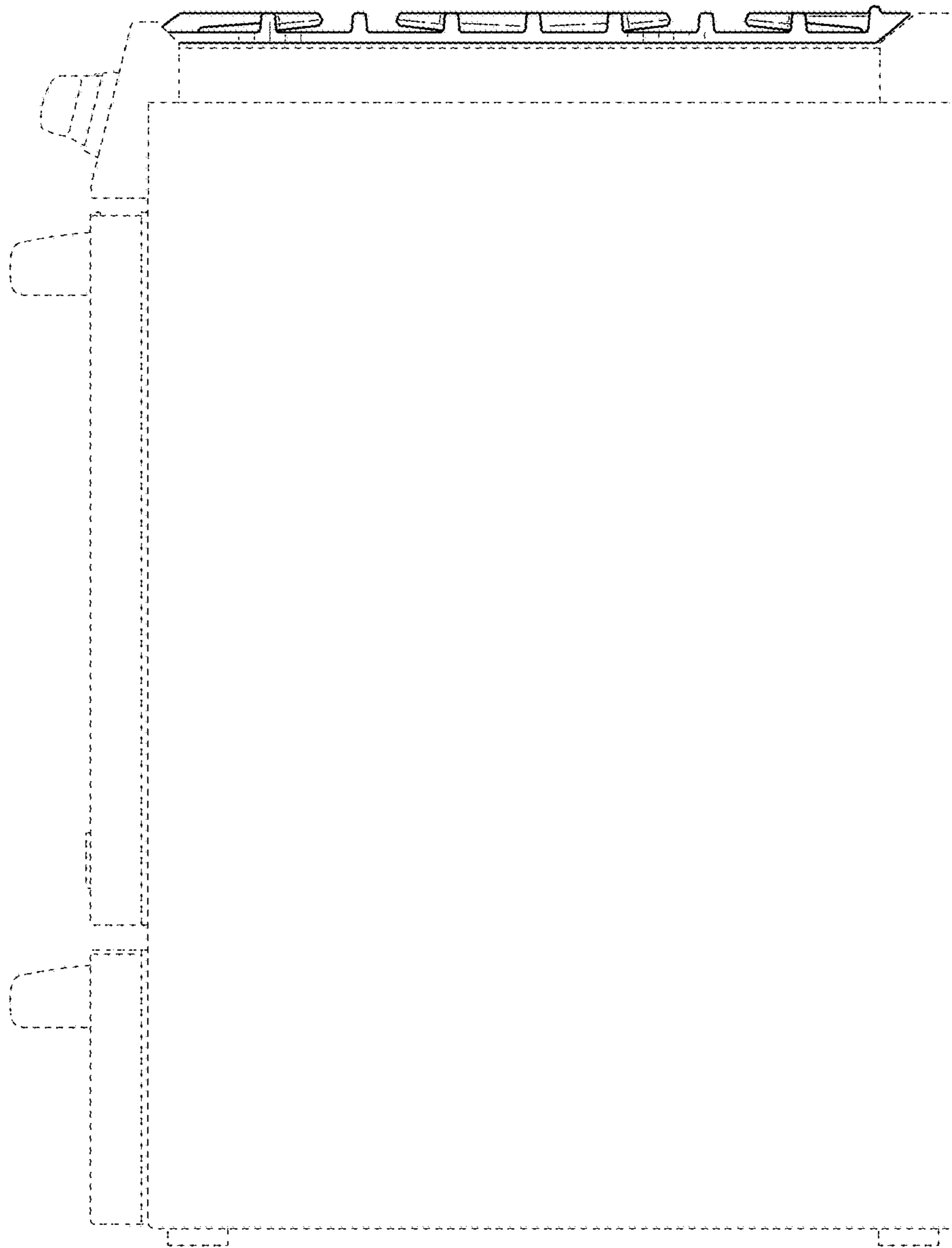


FIG. 4

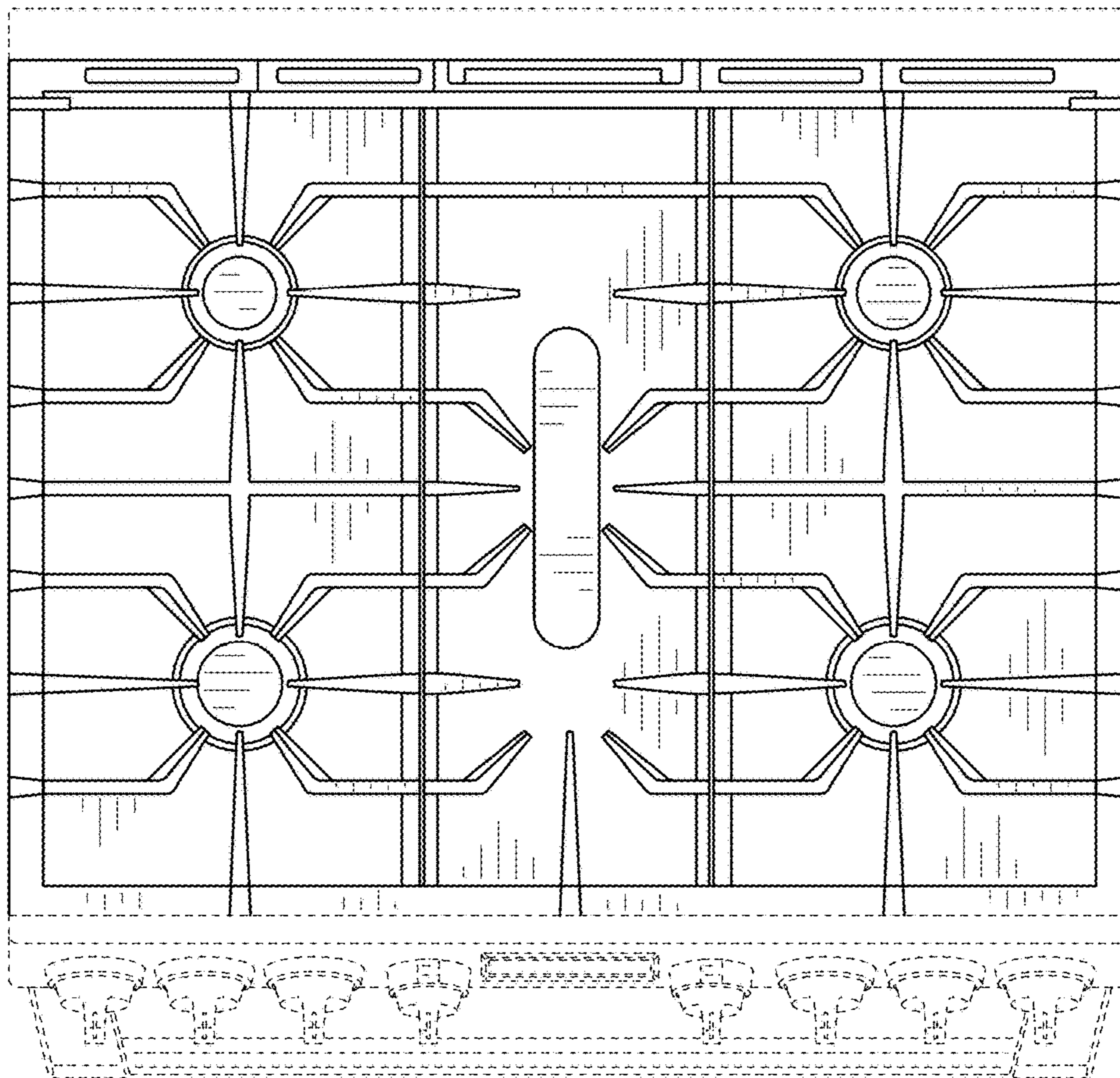


FIG. 5