



US00D797503S

(12) **United States Design Patent**
Robotti

(10) **Patent No.:** **US D797,503 S**

(45) **Date of Patent:** **** Sep. 19, 2017**

(54) **BEVERAGE CAPSULE**
(71) Applicant: **BISIO PROGETTI S.P.A.**, Alessandria (IT)
(72) Inventor: **Paolo Robotti**, Alessandria (IT)
(73) Assignee: **Bisio Progetti S.p.A.**, Alessandria (IT)
(**) Term: **15 Years**
(21) Appl. No.: **35/500,619**
(22) Filed: **Nov. 20, 2015**
(80) **Hague Agreement Data**
Int. Filing Date: **Nov. 20, 2015**
Int. Reg. No.: **DM/089311**
Int. Reg. Date: **Nov. 20, 2015**
Int. Reg. Pub. Date: **Feb. 19, 2016**

(30) **Foreign Application Priority Data**
May 25, 2015 (IT) 40201517522
(51) **LOC (10) Cl.** **07-99**
(52) **U.S. Cl.**
USPC **D7/400**
(58) **Field of Classification Search**
USPC D7/397-400; D9/428, 429, 424, 416;
D23/209
CPC B65D 85/8046; B65D 85/8043; B65D
85/804; A47J 31/06; A47J 31/0668
See application file for complete search history.

(56) **References Cited**
U.S. PATENT DOCUMENTS
D261,413 S * 10/1981 Eddleman D23/209
D289,726 S * 5/1987 Greutert D7/310
D474,110 S * 5/2003 Sweeney D9/425
D474,111 S * 5/2003 Lazaris D9/425
D513,152 S * 12/2005 Cahen D7/399

D539,643 S * 4/2007 Abel D9/414
D567,021 S * 4/2008 Bach D7/387
D621,698 S * 8/2010 Cometto D9/424
8,522,669 B1 * 9/2013 Rolfes A47J 31/0689
426/132
D695,111 S * 12/2013 Hansen B65D 85/8043
D9/429
D700,475 S * 3/2014 Avigdor D7/400
D727,141 S * 4/2015 Mastropasqua D9/416
D747,139 S * 1/2016 Rondelli D7/400
D753,483 S 4/2016 Accursi
D766,078 S 9/2016 Hansen
2010/0154647 A1 * 6/2010 Skalski A47J 31/0668
99/290
2012/0272830 A1 * 11/2012 Gugerli A47J 31/0668
99/295
2013/0251861 A1 * 9/2013 Scapuccin B65D 85/8043
426/115
2014/0186498 A1 * 7/2014 Dogan B65D 85/8043
426/115
2015/0183577 A1 * 7/2015 Talon A47J 31/3623
99/280
2015/0274412 A1 * 10/2015 Bisio B65D 85/8046
426/115
2015/0344285 A1 * 12/2015 Joseph A47J 31/0668
222/173
2016/0311608 A1 10/2016 Accursi
(Continued)

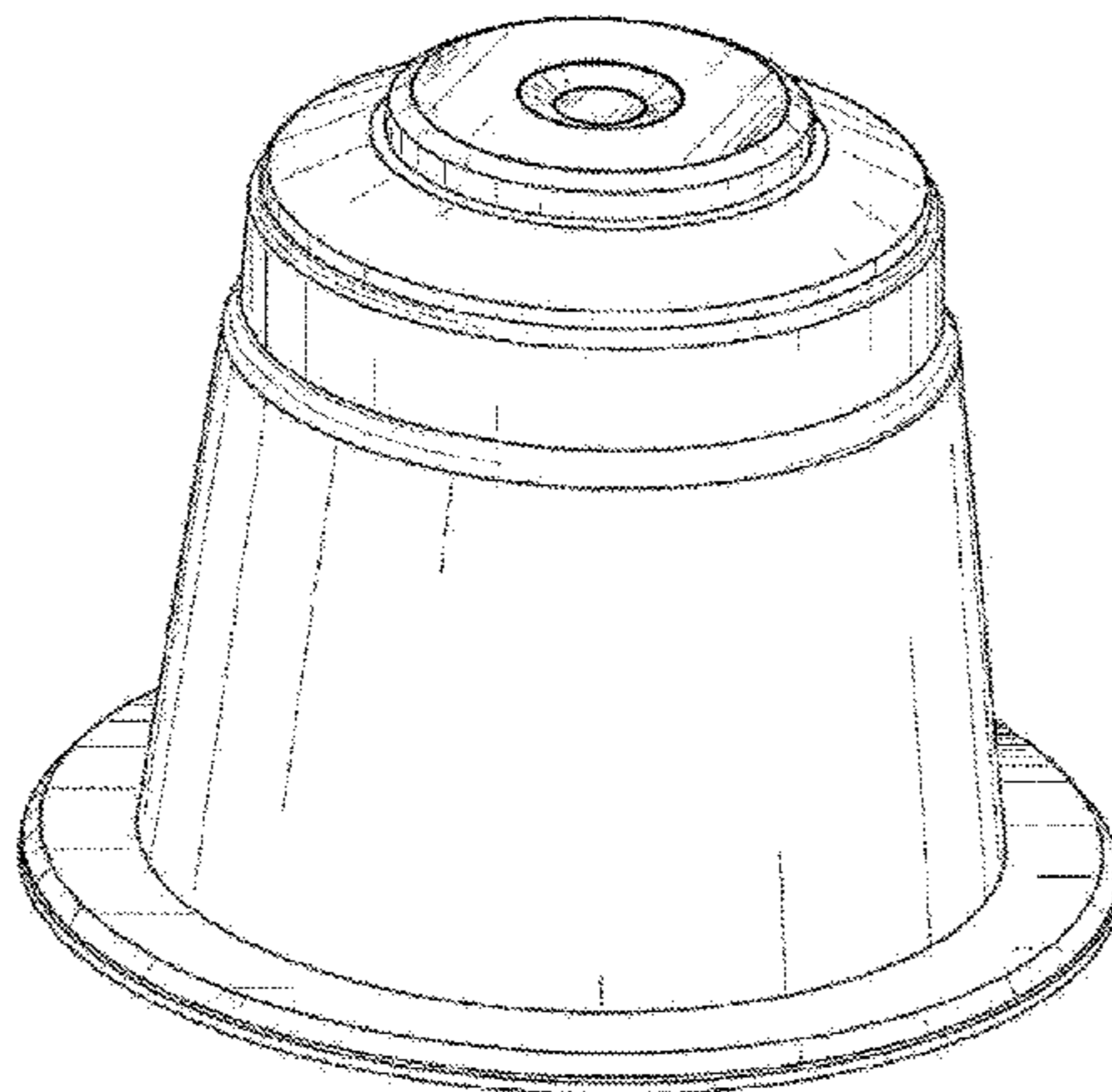
Primary Examiner — Sheryl Lane
Assistant Examiner — Nicole Shiflet
(74) *Attorney, Agent, or Firm* — Thomas | Horstemeyer, LLP

(57) **CLAIM**
The ornamental design for a beverage capsule, as shown and described.

DESCRIPTION

1.1 is a perspective view;
1.2 is a side view thereof;
1.3 is a top view thereof;
1.4 is a bottom view thereof.

1 Claim, 4 Drawing Sheets



(56)

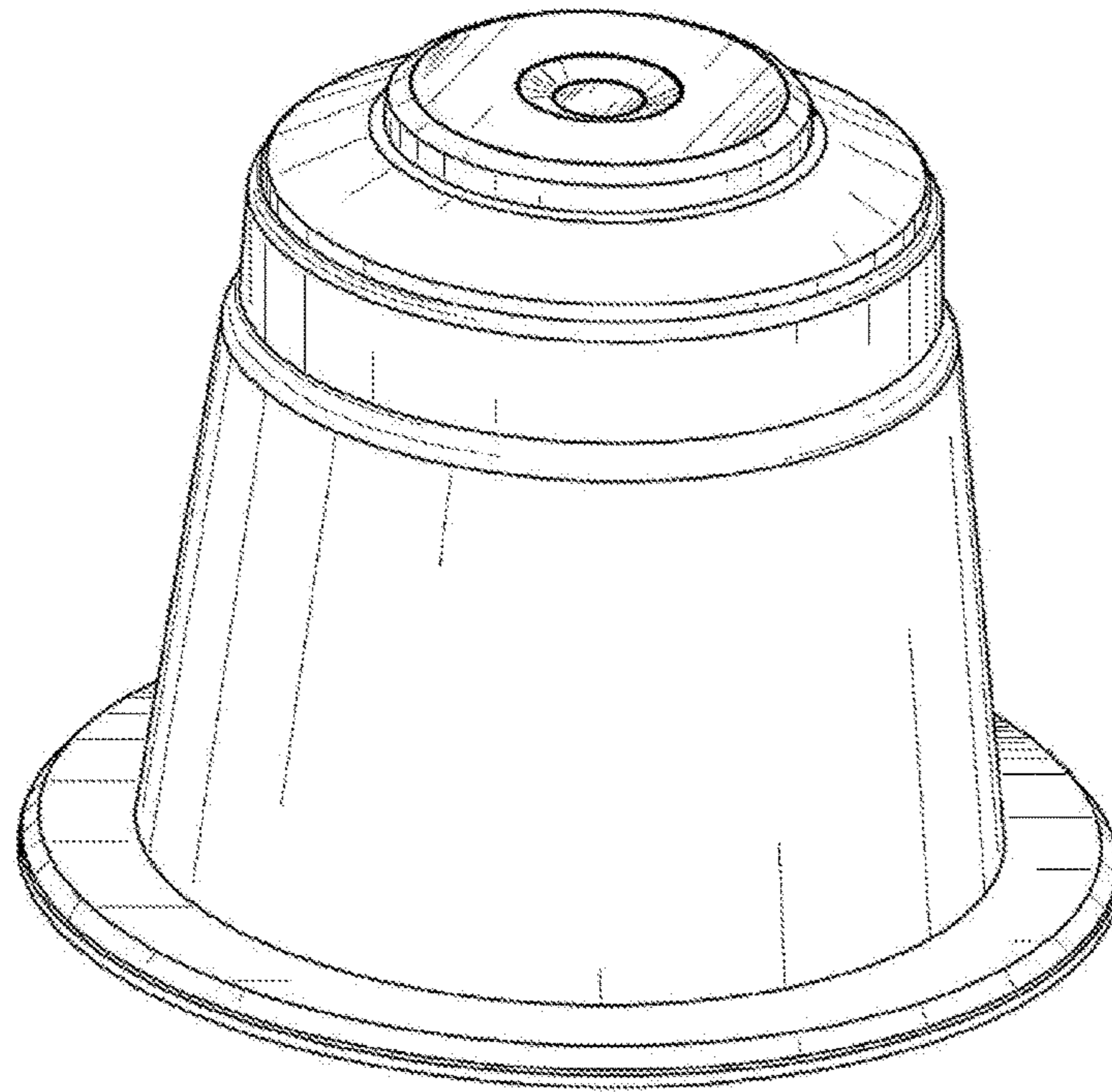
References Cited

U.S. PATENT DOCUMENTS

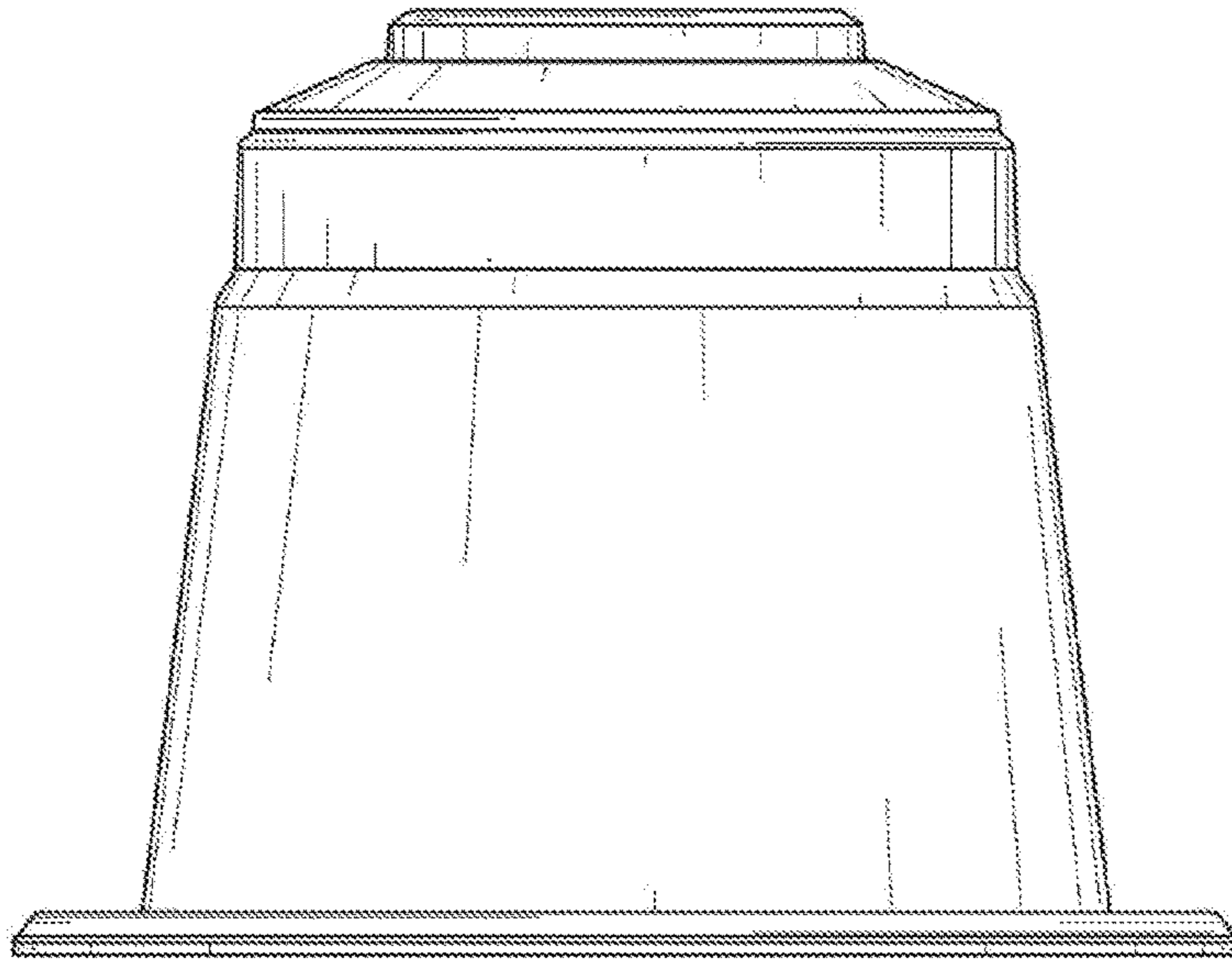
2016/0355327 A1 12/2016 Minganti
2016/0362246 A1* 12/2016 Garcin A47J 31/0673

* cited by examiner

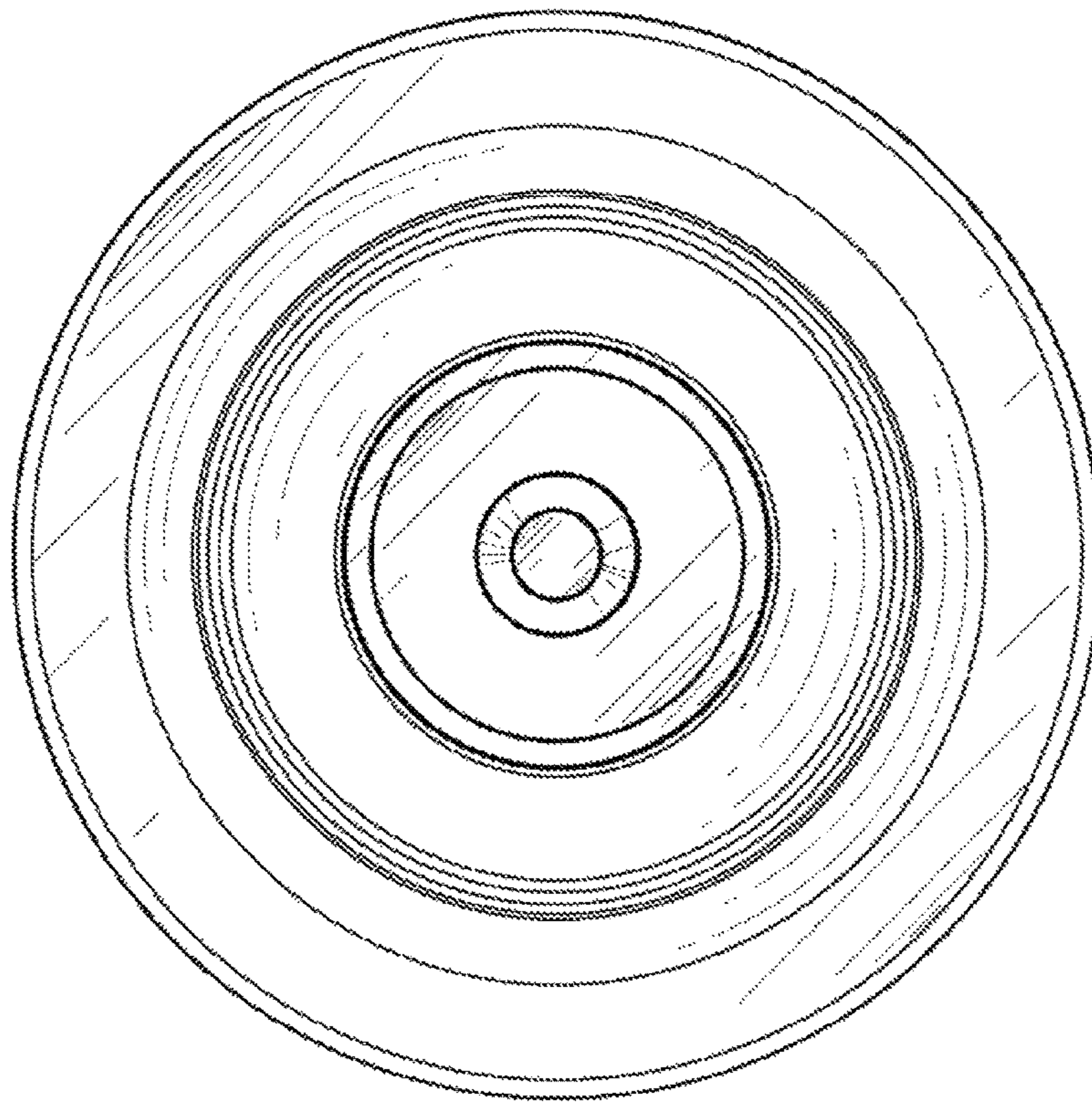
1.1



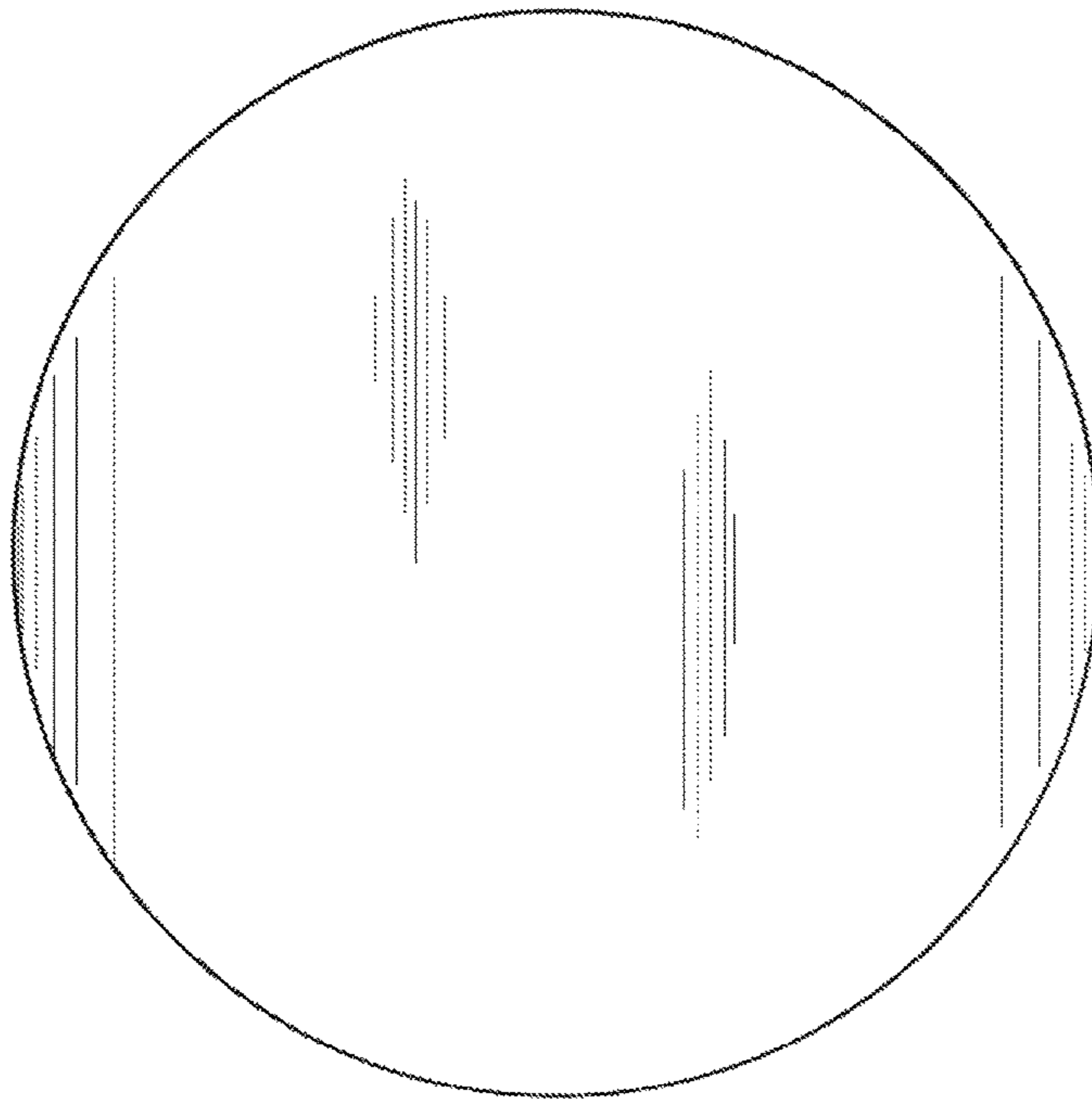
1.2



1.3



1.4



UNITED STATES PATENT AND TRADEMARK OFFICE
CERTIFICATE OF CORRECTION

PATENT NO. : D797,503 S
APPLICATION NO. : 35/500619
DATED : September 19, 2017
INVENTOR(S) : Paolo Robotti

Page 1 of 1

It is certified that error appears in the above-identified patent and that said Letters Patent is hereby corrected as shown below:

On the Title Page

(30) Foreign Application Priority Data: change "40201517522" to -- 402015000017522 --.

Signed and Sealed this
Twenty-sixth Day of December, 2017



Joseph Matal

*Performing the Functions and Duties of the
Under Secretary of Commerce for Intellectual Property and
Director of the United States Patent and Trademark Office*