



US00D797501S

(12) **United States Design Patent** (10) **Patent No.:** **US D797,501 S**  
**Thurlow** (45) **Date of Patent:** **\*\* Sep. 19, 2017**

- (54) **FILTER FOR MAKING BEVERAGES**
- (71) Applicant: **Lentrade, Inc.**, Houston, TX (US)
- (72) Inventor: **Heida L. Thurlow**, Houston, TX (US)
- (73) Assignee: **Lentrade, Inc.**, Houston, TX (US)
- (\*\*) Term: **15 Years**
- (21) Appl. No.: **29/565,347**
- (22) Filed: **May 19, 2016**
- (51) **LOC (10) Cl.** ..... **07-99**
- (52) **U.S. Cl.**  
USPC ..... **D7/400**
- (58) **Field of Classification Search**  
USPC ..... D7/400, 399, 397, 700, 369, 667;  
99/289 D, 323  
CPC ..... A47J 31/02; A47G 19/00; B65D 85/808  
See application file for complete search history.

D580,696 S *	11/2008	Bodum	.....	D7/316
D642,433 S *	8/2011	Tuan	.....	D7/400
D717,110 S *	11/2014	De Leo	.....	D7/399
D778,668 S *	2/2017	Hojo	.....	D7/400
D780,510 S *	3/2017	Bornt	.....	B65B 61/20 D7/397

**OTHER PUBLICATIONS**

Amazon website; Kalita Wave series Wave Dripper 155 [1-2 person] #04021 (japan import); <http://www.amazon.com/Kalita-Dripper-person-04021-japan/dp/B004W5L1XY> Jun. 3, 2016.

\* cited by examiner

*Primary Examiner* — Marianne Pandozzi  
(74) *Attorney, Agent, or Firm* — Streets & Steele; Patrick K. Steele; Jeffrey L. Streets

(57) **CLAIM**

The ornamental design for a filter for making beverages, as shown and described.

(56) **References Cited**

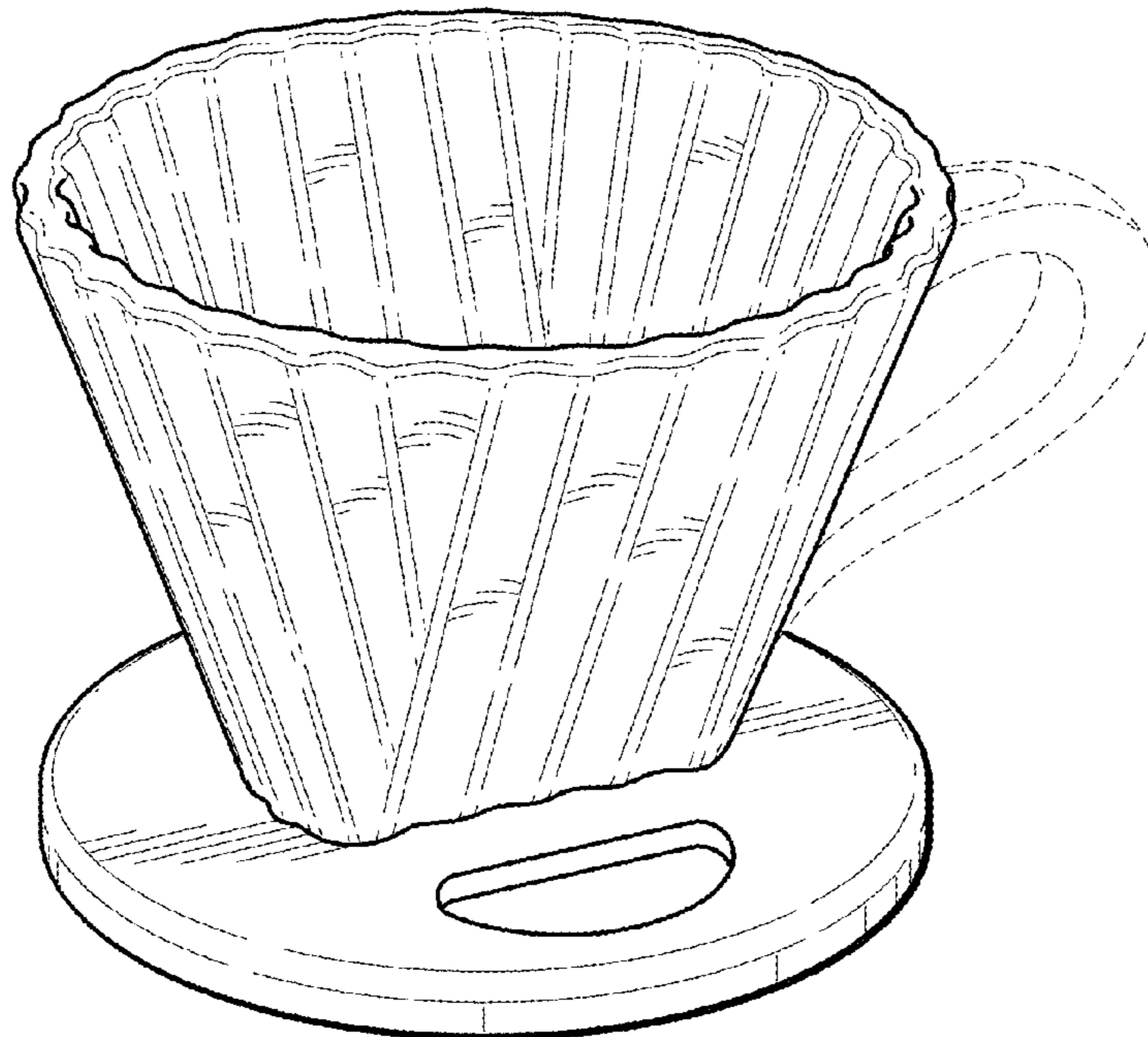
**U.S. PATENT DOCUMENTS**

2,234,397 A *	3/1941	Bentz	.....	A47J 31/06 210/455
2,897,970 A *	8/1959	Schlumbohm	.....	A47J 31/446 210/455
D203,854 S *	2/1966	Douglas	.....	D7/400
3,334,574 A *	8/1967	Douglas	.....	A47J 31/02 210/455
D250,804 S *	1/1979	Nilsson	.....	D7/400
D360,106 S *	7/1995	Sintchak	.....	D7/399
D521,329 S *	5/2006	Bodum	.....	D7/400
D564,832 S *	3/2008	Bodum	.....	D7/399

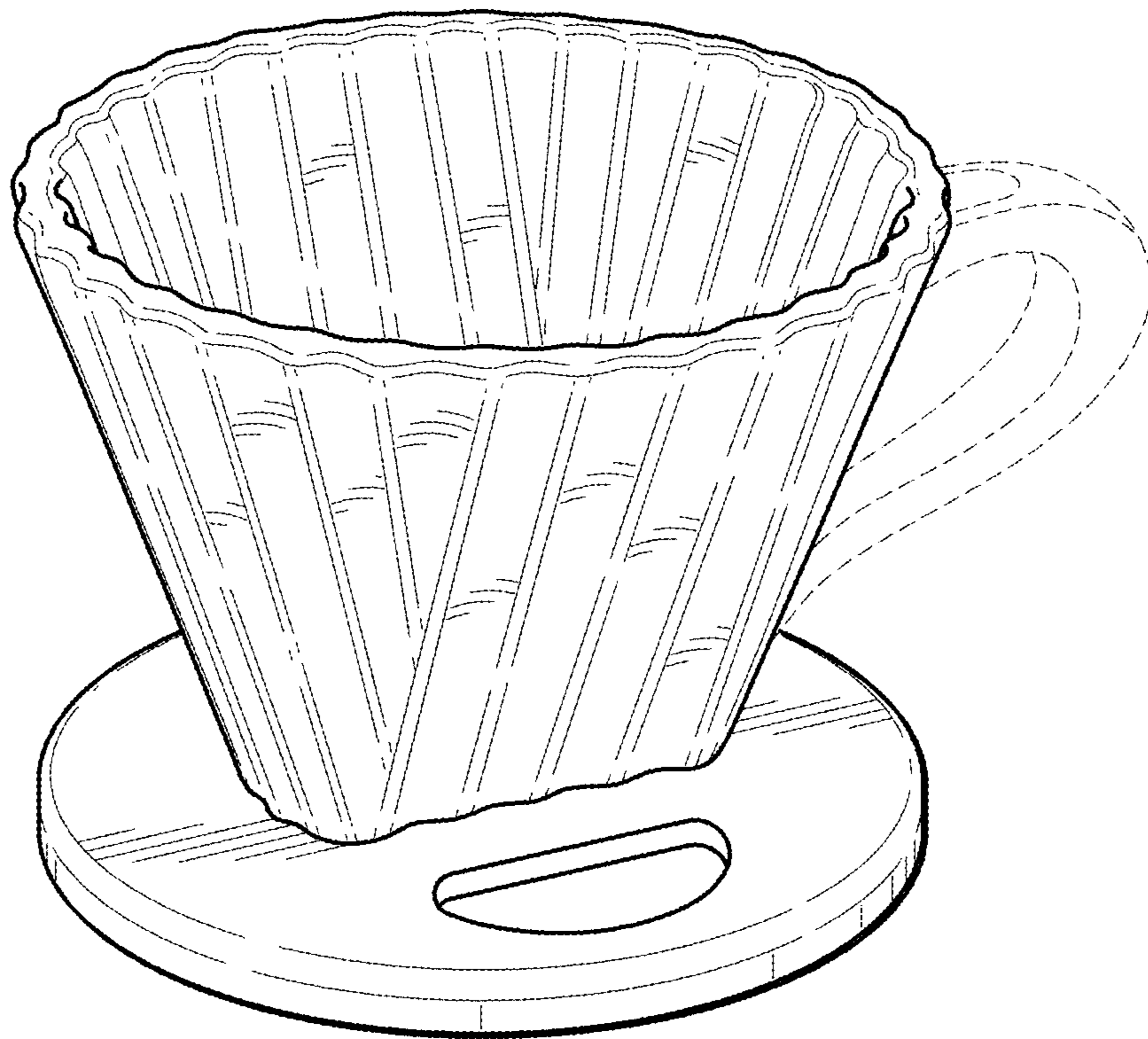
**DESCRIPTION**

FIG. 1 is a perspective view of a filter for making beverages showing my new design;  
FIG. 2 is a top plan view thereof;  
FIG. 3 is a side elevational view thereof;  
FIG. 4 is a front view thereof;  
FIG. 5 is a rear view thereof; and,  
FIG. 6 is a bottom plan view thereof.  
The broken lines in the drawings depict environmental subject matter only and form no part of the claimed design.

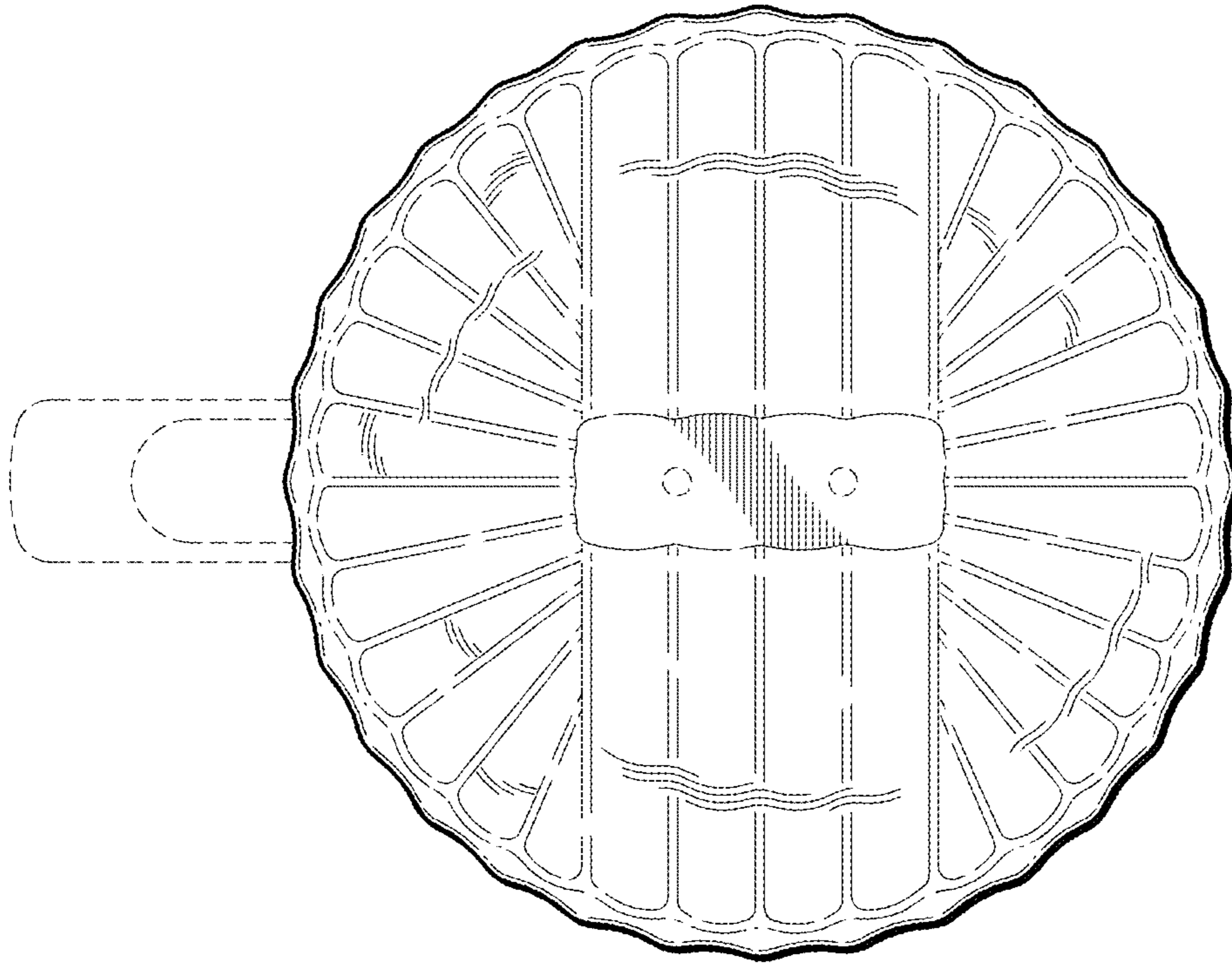
**1 Claim, 4 Drawing Sheets**



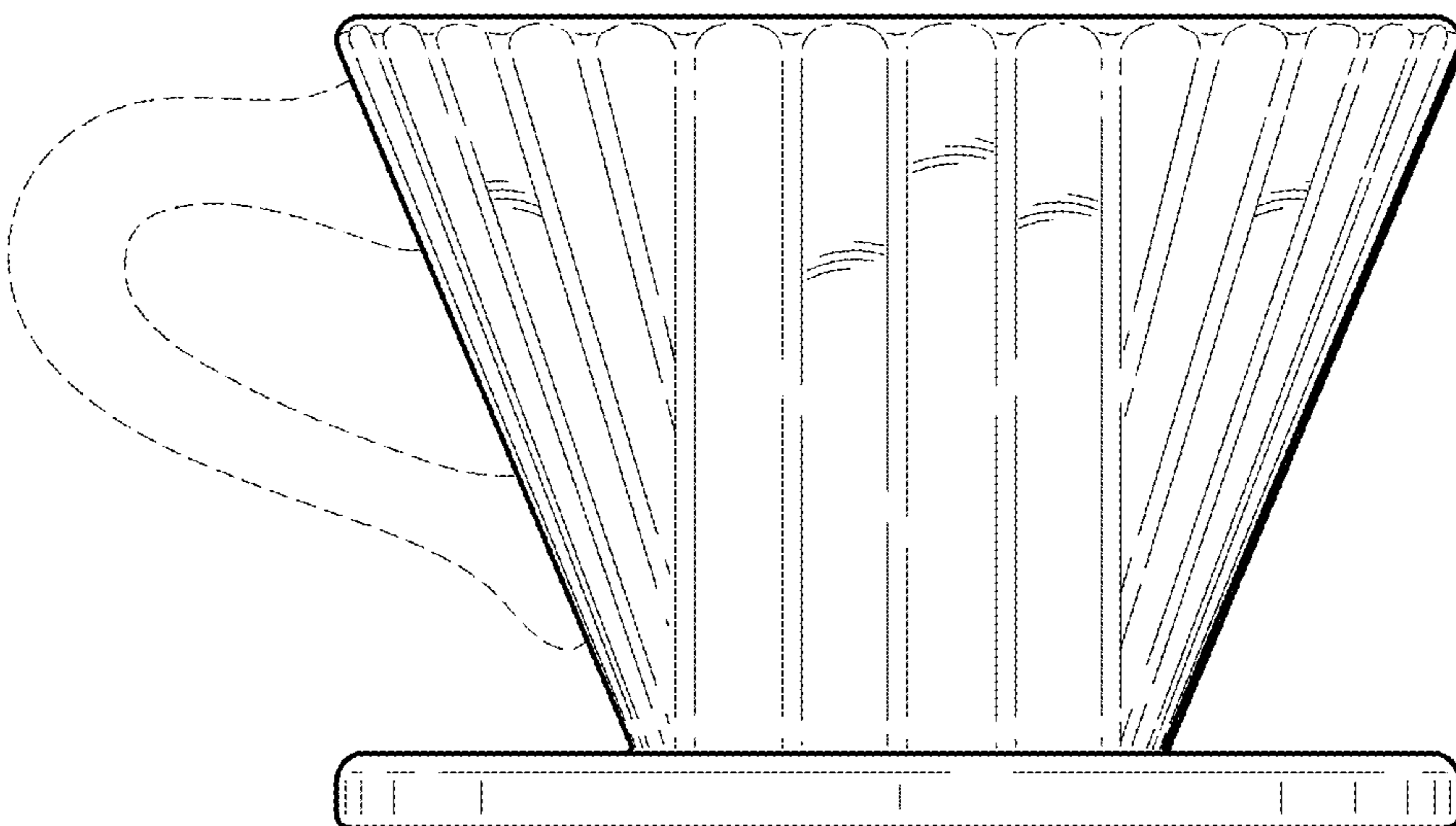
*FIG. 1*



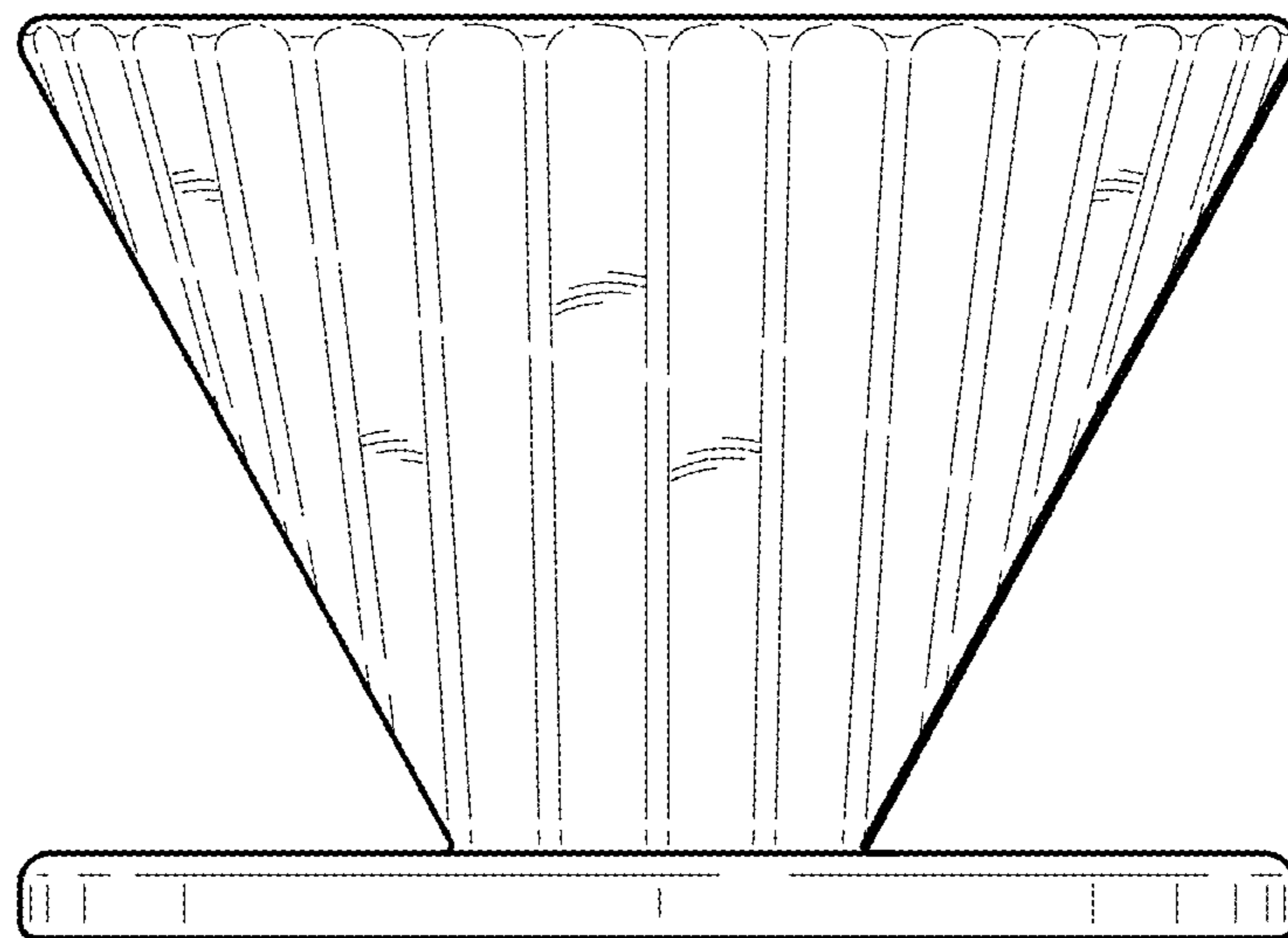
**FIG. 2**



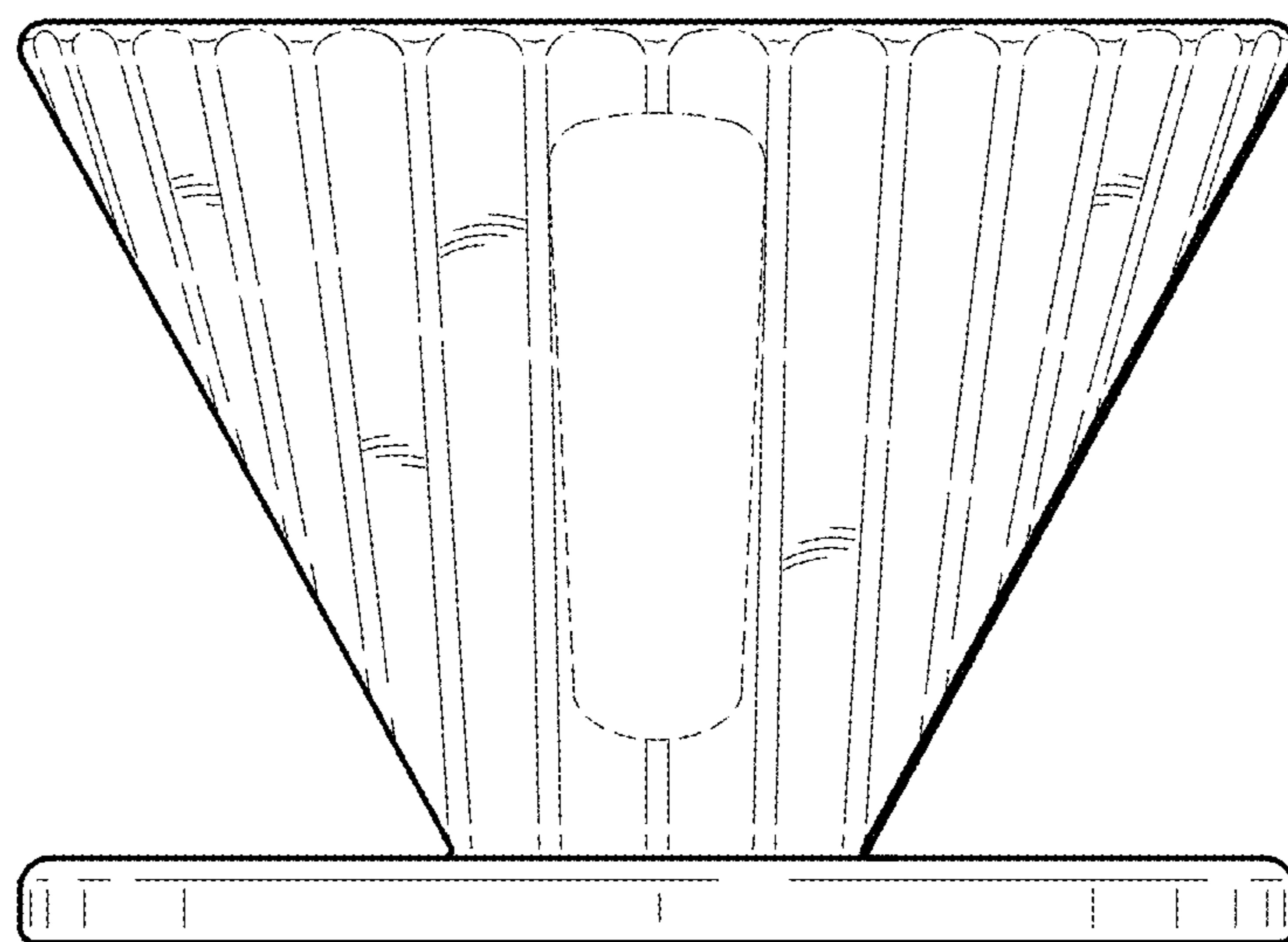
**FIG. 3**



**FIG. 4**



**FIG. 5**





**FIG. 6**

