



US00D797499S

(12) **United States Design Patent** (10) **Patent No.:** **US D797,499 S**
Jones (45) **Date of Patent:** **** Sep. 19, 2017**

(54) **CONTAINER**
(71) Applicant: **GoBUBL Limited**, London (GB)
(72) Inventor: **Darren Jones**, London (GB)
(73) Assignee: **GOBUBL LIMITED**, London (GB)
(**) Term: **15 Years**
(21) Appl. No.: **29/528,774**
(22) Filed: **Jun. 1, 2015**
(30) **Foreign Application Priority Data**
Dec. 1, 2014 (EM) 001426381-0001
(51) **LOC (10) Cl.** **07-99**
(52) **U.S. Cl.**
USPC **D7/397; D7/398**
(58) **Field of Classification Search**
USPC D7/507, 509, 510, 511, 523, 529, 531,
D7/532, 533, 534, 608, 300.2, 591, 598,
D7/601, 602, 387, 392.1, 396.2, 396.1,
D7/398, 399, 397, 400, 516, 518, 519;
D9/435, 436, 519, 549, 552, 556, 559,
D9/439, 440, 434; D21/386; D24/196,
D24/197; 220/592.16, 292.17, 705, 710,
220/495.03
CPC A47G 19/22; A47G 19/2211; A47G
19/2216; A47G 19/2222; A47G 19/2233
See application file for complete search history.

(56) **References Cited**
U.S. PATENT DOCUMENTS
D67,296 S * 5/1925 Negbaur D7/591
D102,943 S * 1/1937 Dulany D7/300.1
2,311,367 A * 2/1943 Chambers A45D 34/04
141/20.5
D141,313 S * 5/1945 Ruhnke D7/400

2,495,996 A * 1/1950 Wolcott, Jr. A47J 31/043
210/481
D199,440 S * 10/1964 Jones D19/62
D202,299 S * 9/1965 Karr D9/519
D212,525 S * 10/1968 Kneapler D9/500
D255,798 S * 7/1980 Wiedmann 137/212
D274,984 S * 8/1984 Thornell D7/398
D291,179 S * 8/1987 Frizon D9/519
D381,561 S * 7/1997 Manca D23/366
D417,623 S * 12/1999 Zimmer D9/552
D419,370 S * 1/2000 Busick D7/392
D441,998 S * 5/2001 Kauzlarich D32/30
D453,664 S * 2/2002 Brady D7/379
D457,382 S * 5/2002 Coudurier D7/391
D496,207 S * 9/2004 Wang D7/300.1
D505,300 S * 5/2005 Walsh D7/608
D547,116 S * 7/2007 Ranzoni D7/398
D547,657 S * 7/2007 Tacchella D9/454
D658,994 S * 5/2012 Ritzenhoff D9/500
D687,266 S * 8/2013 Cloutier D7/667
D699,578 S * 2/2014 Marina D9/500
D734,150 S * 7/2015 Rigel D9/440

(Continued)

Primary Examiner — Marianne Pandozzi
Assistant Examiner — Jae Liang
(74) *Attorney, Agent, or Firm* — Fenwick & West LLP

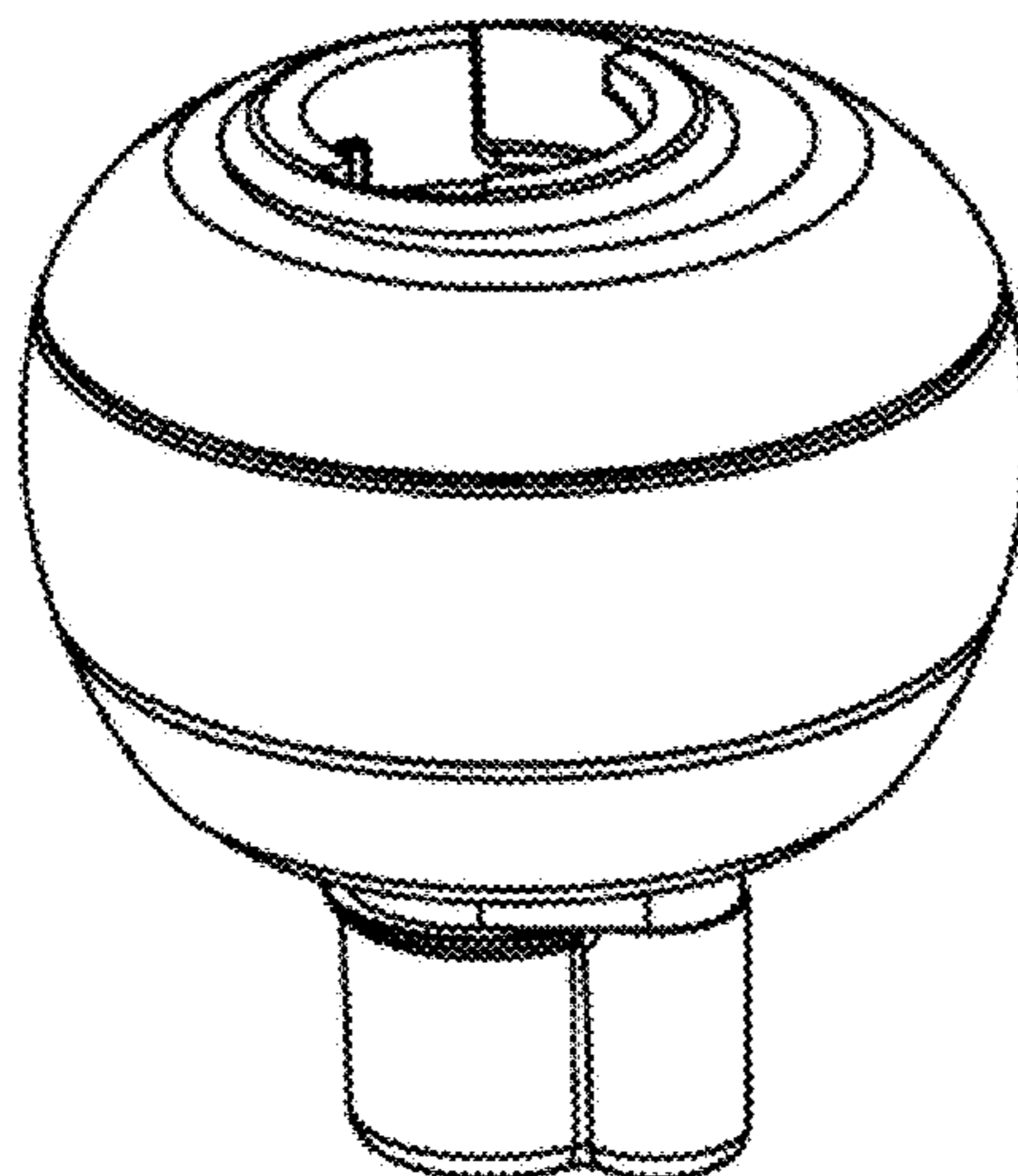
(57) **CLAIM**

The ornamental design for a container, as shown and described.

DESCRIPTION

FIG. 1 is a top view of a container showing my new design;
FIG. 2 is a bottom view thereof;
FIG. 3 is a front view thereof;
FIG. 4 is a rear view thereof;
FIG. 5 is a side view thereof; and,
FIG. 6 is an isomeric view thereof.
The broken lines shown in FIG. 1 depict portions of the container that form no part of the claimed design.

1 Claim, 2 Drawing Sheets



(56)

References Cited

U.S. PATENT DOCUMENTS

9,187,217	B2 *	11/2015	Bisio	B65D 41/3404
D767,338	S *	9/2016	Jones	D7/510
D770,860	S *	11/2016	Wampold	D7/608
D772,004	S *	11/2016	Khan	D7/397
2016/0051071	A1 *	2/2016	Buck	A47G 21/187 239/33

* cited by examiner

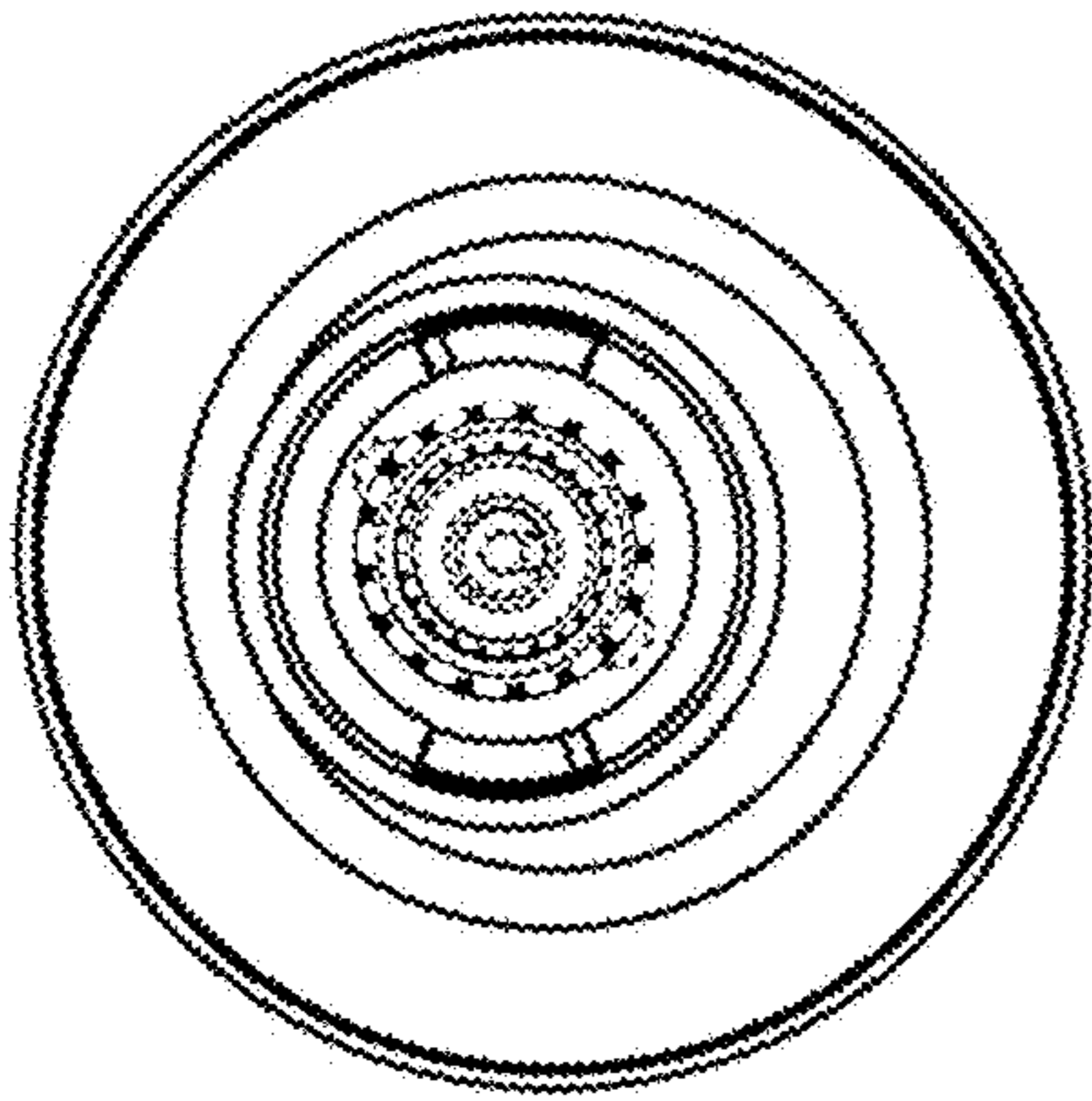


FIG. 1

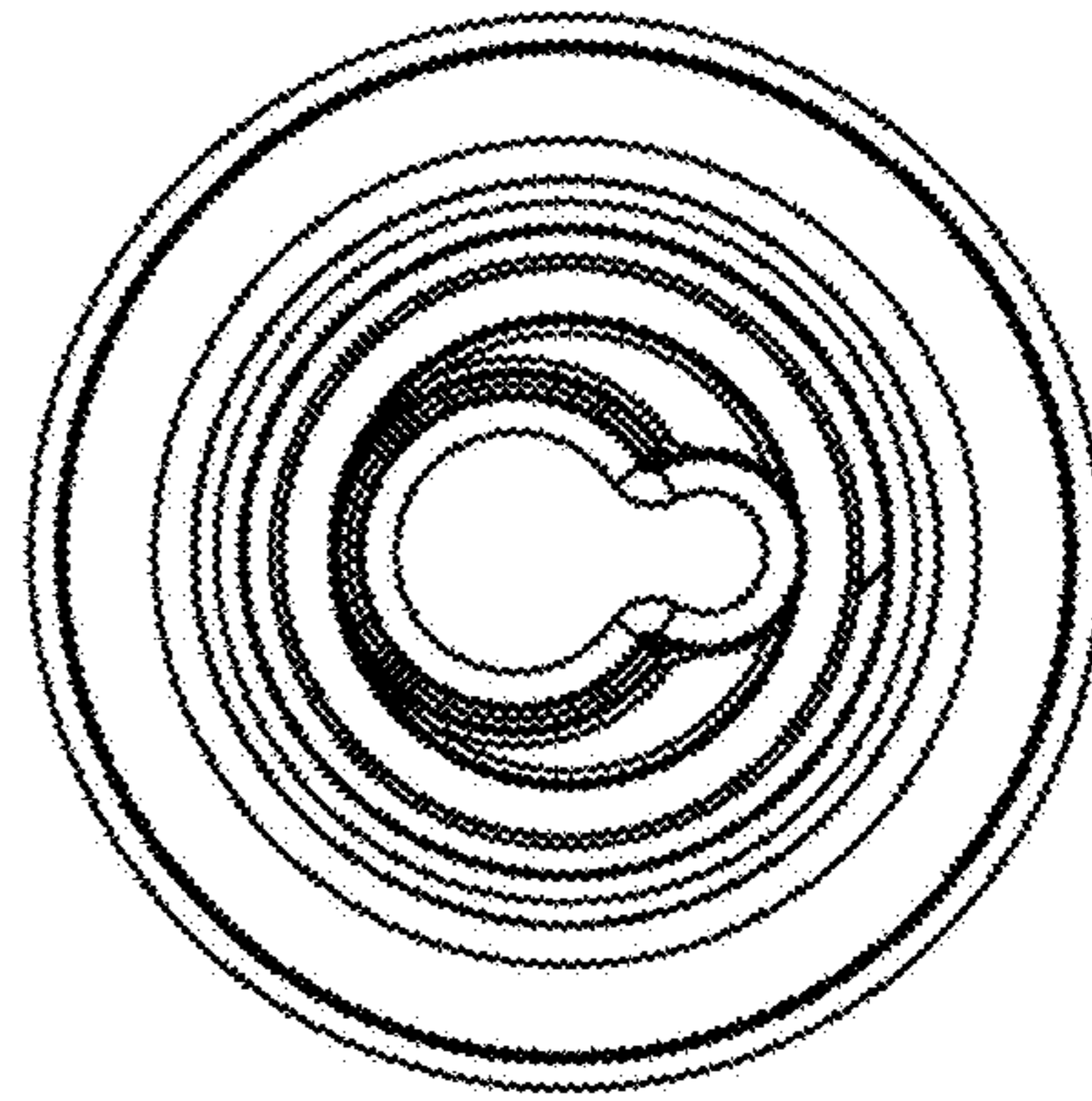


FIG. 2

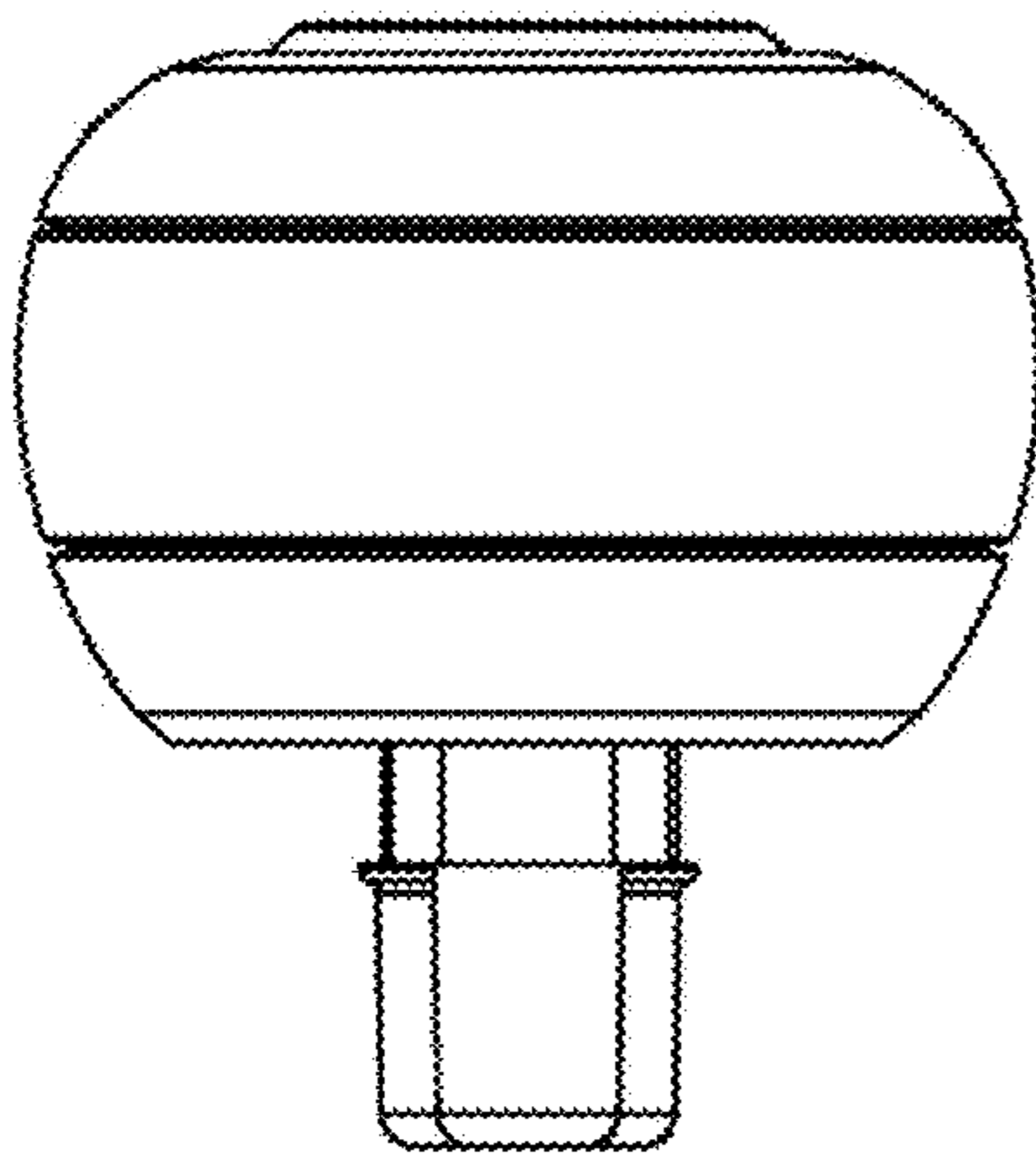


FIG. 3

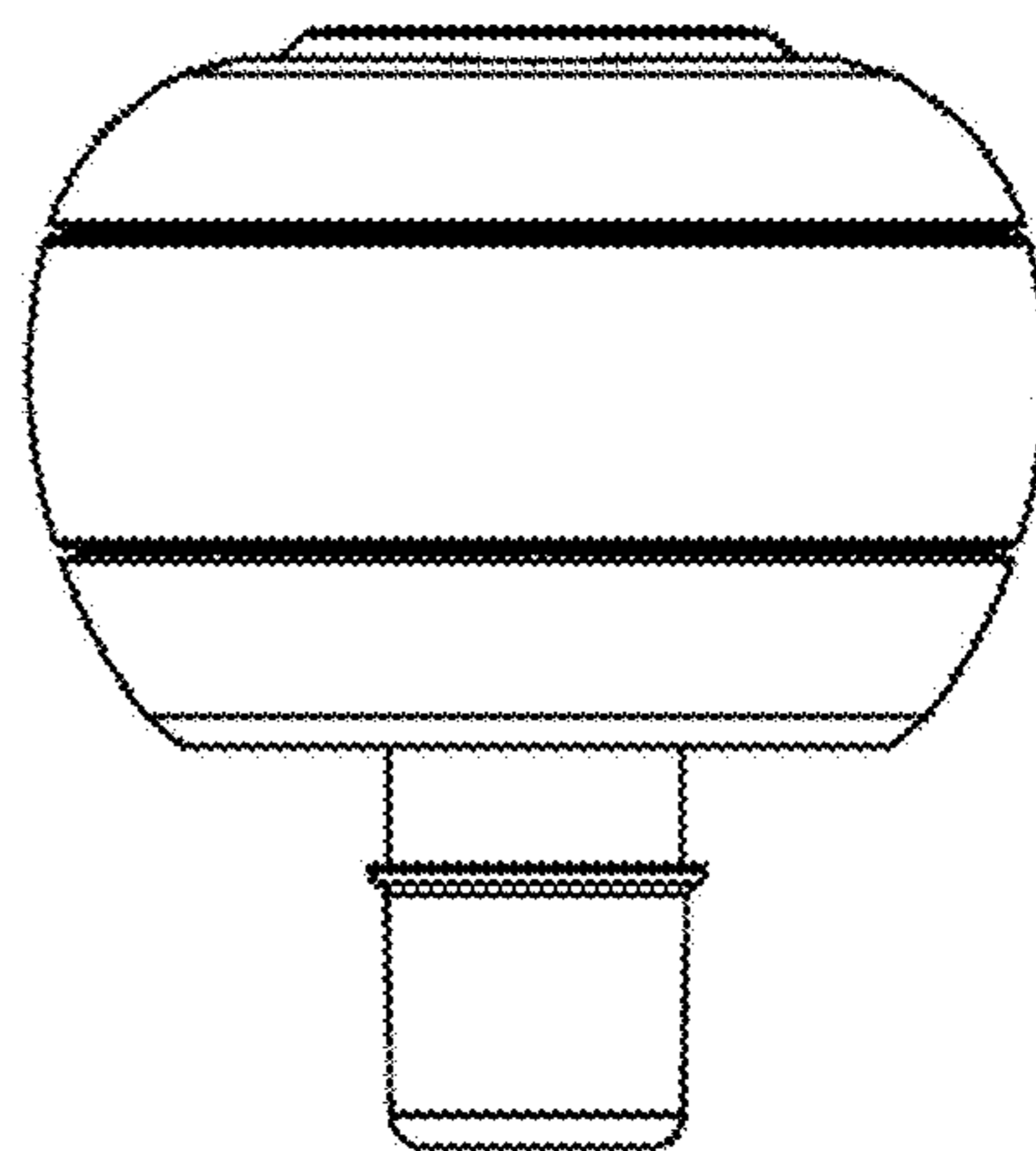


FIG. 4

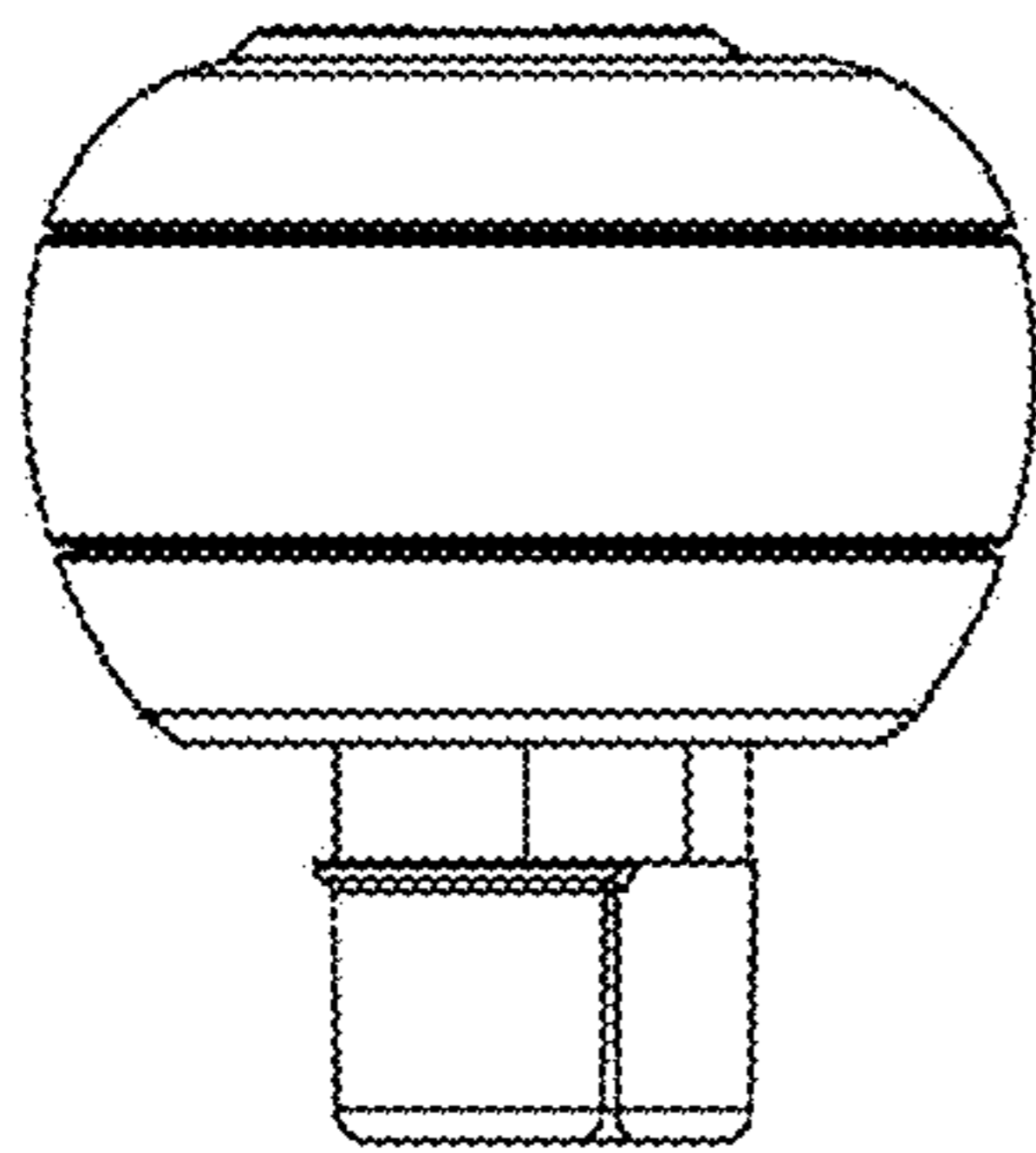


FIG. 5

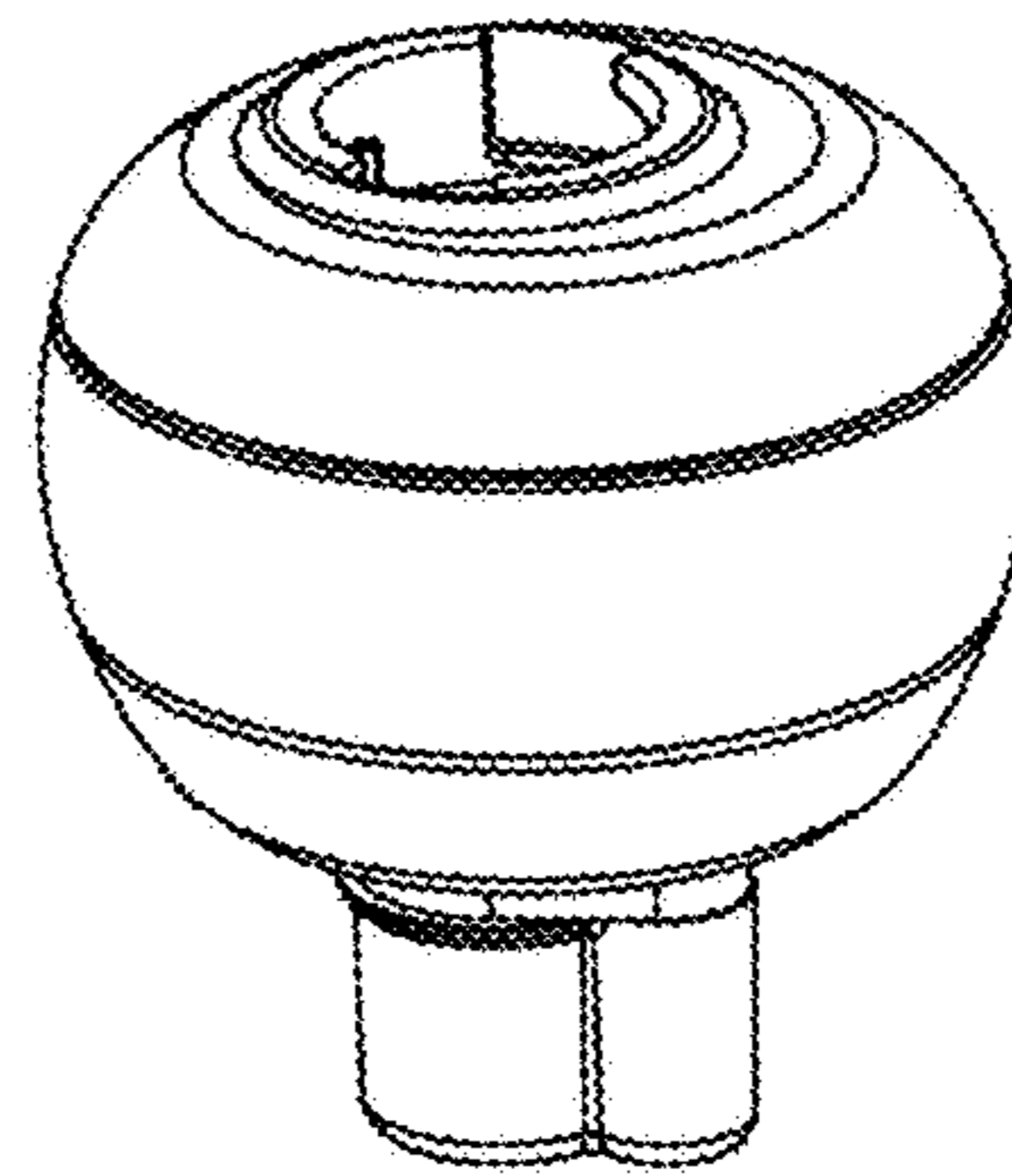


FIG. 6