



US00D797498S

(12) **United States Design Patent** (10) **Patent No.:** **US D797,498 S**
Sorensen et al. (45) **Date of Patent:** **** Sep. 19, 2017**

(54) **LID**
(71) Applicant: **RUNWAY BLUE, LLC**, Lehi, UT (US)
(72) Inventors: **Steven M. Sorensen**, Alpine, UT (US);
David O. Meyers, East Layton, UT (US); **Manny Carreon**, Lehi, UT (US)
(73) Assignee: **Runway Blue, LLC**, Alpine, UT (US)
(**) Term: **15 Years**
(21) Appl. No.: **29/552,966**
(22) Filed: **Jan. 27, 2016**
(51) **LOC (10) Cl.** **07-99**
(52) **U.S. Cl.**
USPC **D7/396.2**
(58) **Field of Classification Search**
USPC ... D7/509-511, 543, 396.2, 300.2, 523, 605;
D9/525, 523, 530, 551, 435, 528
CPC A45F 3/16; A45F 3/18; A45F 22/00; A45F
22/0583; A47G 19/22; A47G 19/2205;
A47G 19/2288; A47G 19/2272; B65D
43/00; B65D 23/102; B65D 41/26; B65D
41/04; B65D 1/02; B65D 1/06
See application file for complete search history.

(56) **References Cited**
U.S. PATENT DOCUMENTS
D460,357 S * 7/2002 Kras D9/435
D528,910 S * 9/2006 Kingsley D7/392.1
D536,929 S * 2/2007 Kingsley D7/510
D537,676 S * 3/2007 Kingsley D7/510
D596,458 S * 7/2009 McKinney D7/510
D609,969 S * 2/2010 McKinney D7/510
D610,005 S * 2/2010 McKinney D9/446
D619,001 S * 7/2010 McKinney D9/446
D660,082 S * 5/2012 Wahl D7/510
D692,276 S 10/2013 Cetera
8,752,720 B1 * 6/2014 Habig B65D 55/16
215/306

D714,584 S * 10/2014 Boroski D7/392
D721,912 S * 2/2015 Boroski D7/392.1
D760,540 S * 7/2016 Marina D7/510
D763,076 S * 8/2016 Lane D9/446
D767,390 S * 9/2016 Miksovsky D7/392.1
D769,671 S * 10/2016 Bielawski D7/392.1
(Continued)

OTHER PUBLICATIONS

A Few of the Best Travel Water Bottles Perfect for Any Trip, posted at Welltraveledmile.com, posted on Sep. 22, 2016, site visited Dec. 5, 2016, <<http://www.welltraveledmile.com/a-few-of-the-best-travel-water-bottles-perfect-for-any-trip/>>.*
(Continued)

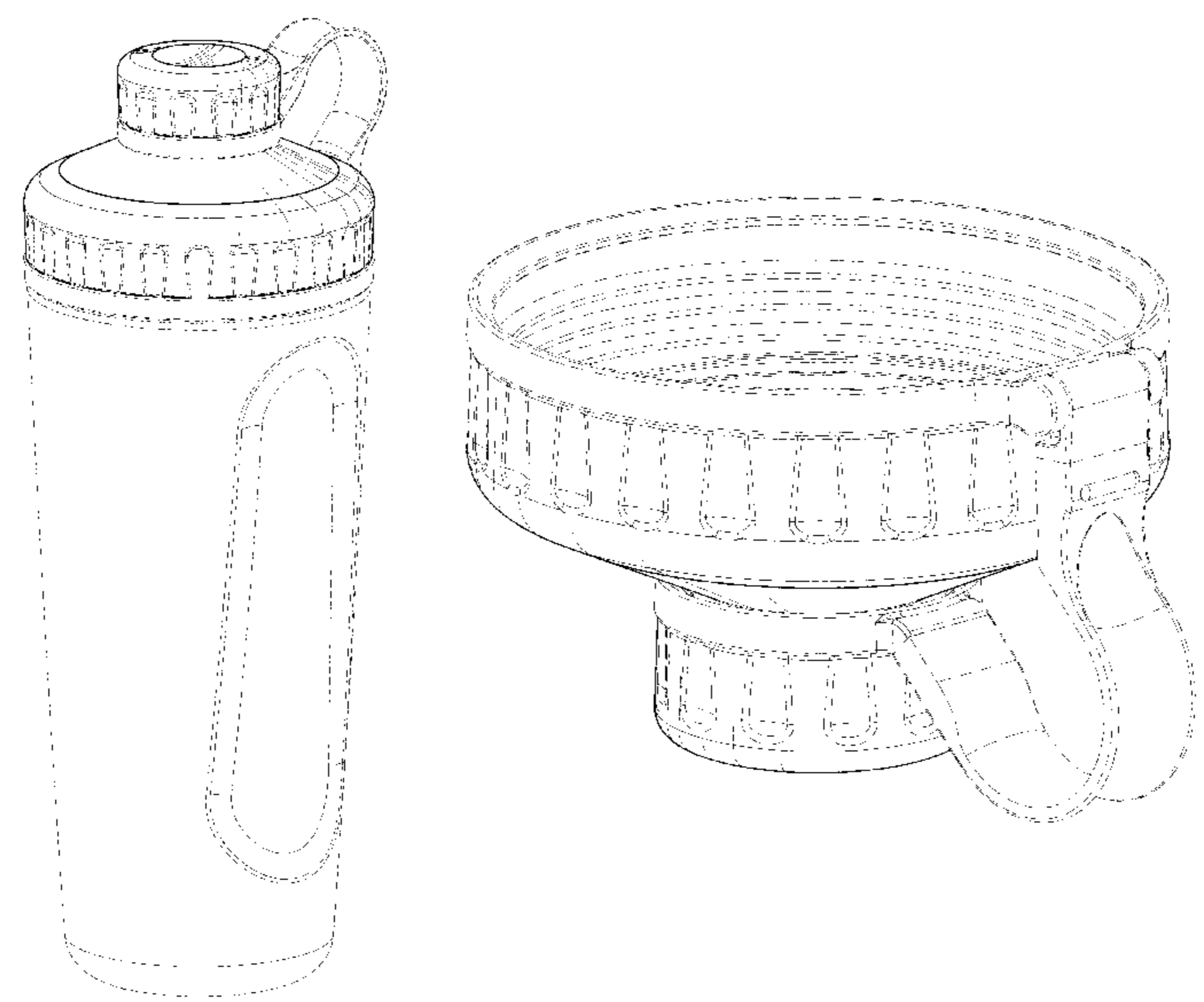
Primary Examiner — Barbara Fox
Assistant Examiner — Messina L Smith
(74) *Attorney, Agent, or Firm* — Maschoff Brennan

(57) **CLAIM**
The ornamental design for a lid, as shown and described.

DESCRIPTION

FIG. 1 is an upper perspective view of a lid, showing our new design;
FIG. 2 is an enlarged upper perspective view thereof;
FIG. 3 is a lower perspective view thereof;
FIG. 4 is a front view thereof;
FIG. 5 is a rear view thereof;
FIG. 6 is a left side view thereof;
FIG. 7 is a right side view thereof;
FIG. 8 is a top view thereof; and,
FIG. 9 is a bottom view thereof.
The broken lines showing a bottle in FIG. 1 depicts environment and forms no part of the claimed design. All other broken lines in the figures depict portions of the lid that form no part of the claimed design.

1 Claim, 9 Drawing Sheets



(56)

References Cited

U.S. PATENT DOCUMENTS

2006/0016819	A1*	1/2006	Paslowski	B65D 1/0292 220/666
2008/0087624	A1*	4/2008	Buckley	A47G 23/16 215/230
2009/0236341	A1*	9/2009	McKinney	A47G 19/2266 220/375
2011/0278216	A1*	11/2011	Hull	A47G 19/2266 210/236
2015/0173540	A1*	6/2015	Albers	B65B 3/045 220/715

OTHER PUBLICATIONS

Ollydog Ollybottle Travel Water Bottle W Removable Dish, posted at Dogscene.com, no posting date given, © 2016, site visited Dec. 5, 2016, <<https://www.dogscene.com/products/ollydog-ollybottle-travel-water-bottle-w-removable-dish>>.*

Eco Vessel Twist Triple Insulated Stainless Steel Bottle, 13 oz—Black Skulls, posted at Reuseit.com, no posting date given, © 2016, site visited Dec. 5, 2016, <<http://www.reuseit.com/eco-vessel-twist-triple-insulated-stainless-steel-bottle-13-oz-black-skulls.htm>>.*

Blender Bottle Radian, posted at Blenderbottle.com, posted on © 2017, site visited Apr. 28, 2017, <<https://www.blenderbottle.com/products/radian>>.*

Radian BlenderBottle officially unveiled at the Olympia Expo, posted at Stack3d.com, posted on Sep. 17, 2016, site visited Apr. 28, 2017, <<https://www.stack3d.com/2016/09/blenderbottle-radian-olympia.html>>.*

BlenderBottle Radian Tritan Shaker Bottle, Coral, 32-Ounce, posted at Amazon.com, posted on Mar. 2, 2017, <<https://www.amazon.com/BlenderBottle-Radian-Tritan-Shaker-Bottle-32-Ounce/dp/B06X9FPYJR%3Fpsc%3D1%26SubscriptionId%3D18VMFMYHM5EWP0DWK3R2%26tag%3Dchesto-20%26linkCode%3Dxm2%26camp%3D2025%26creative%3D165953%26creativeASIN%3DB06X9FPYJR>>.*

U.S. Appl. No. 29/552,963, filed Jan. 27, 2016, Sorensen, et al.
U.S. Appl. No. 29/552,965, filed Jan. 27, 2016, Sorensen, et al.
Office Action from U.S. Appl. No. 29/552,963 dated Dec. 15, 2016.
A Few of the Best Travel Water Bottles Perfect for Any Trip, posted at Welltraveledmile.com, posted on Sep. 22, 2016, site visited Dec. 5, 2016, <http://www.welltraveledmile.com/a-few-of-the-best-travel-water-bottles-perfect-for-any-trip/>.

OLLYDO47G Ollybottle Travel Water Bottle W Removable Dish, posted at Dogscene.com, no posting date given, © 2016, site visited Dec. 5, 2016, <https://www.dogscene.com/products/ollydog-ollybottle-travel-water-bottle-w-removable-dish>.

Eco Vessel Twist Triple Insulated Stainless Steel Bottle, 13 oz—Black Skulls, posted at Reuseit.com, no posting date given, © 2016, site visited Dec. 5, 2016, <http://www.reuseit.com/eco-vessel-twist-triple-insulated-stainless-steel-bottle-13-oz-black-skulls.htm>.

* cited by examiner

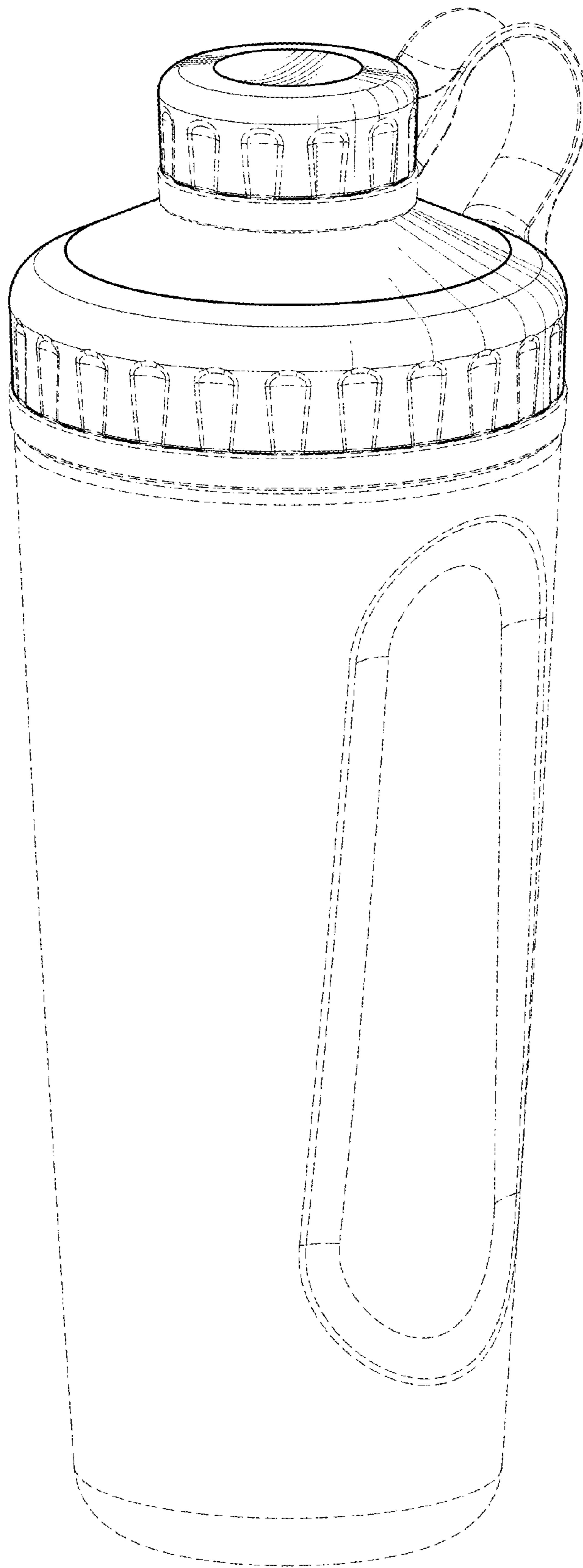


FIG. 1

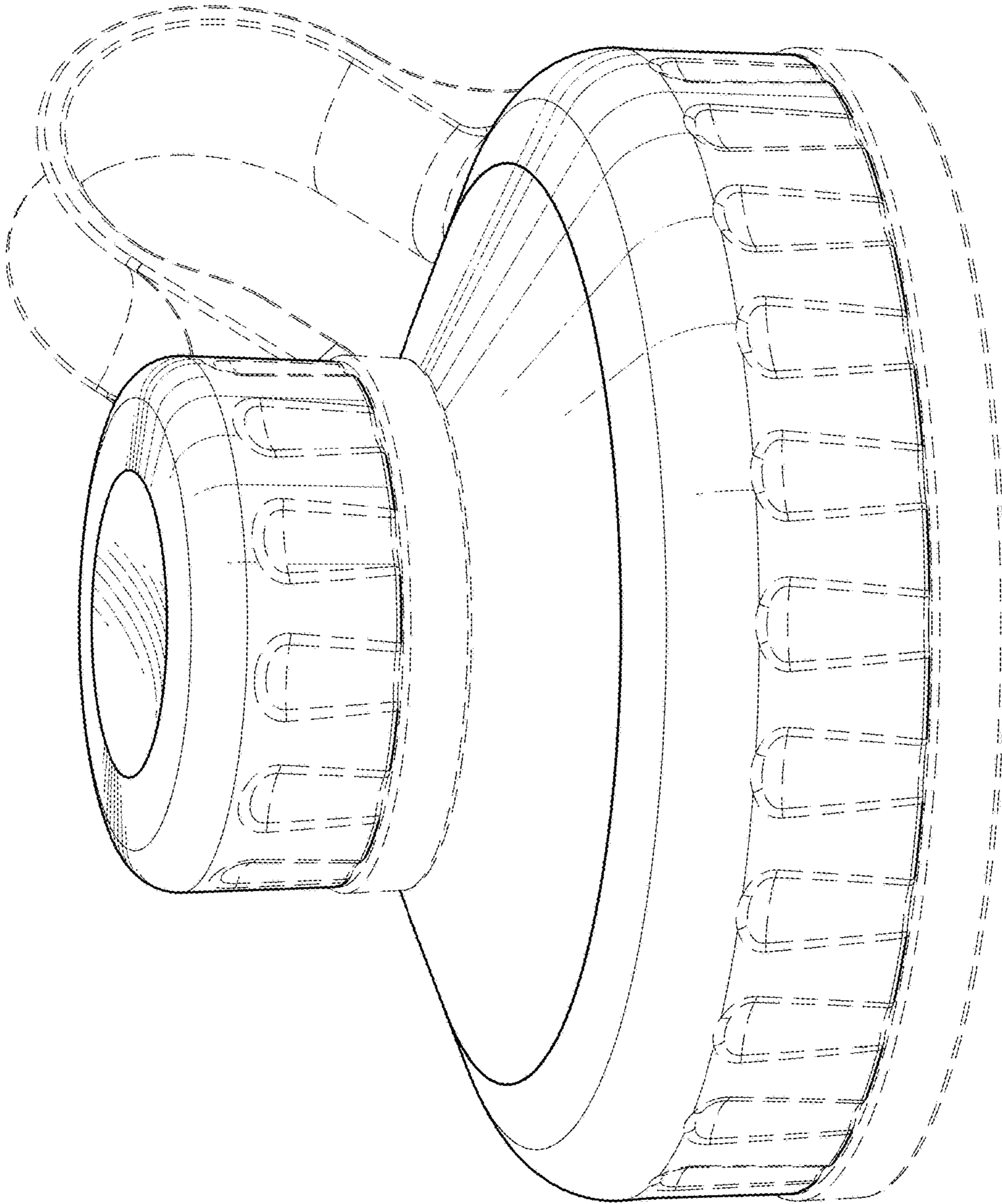


FIG. 2

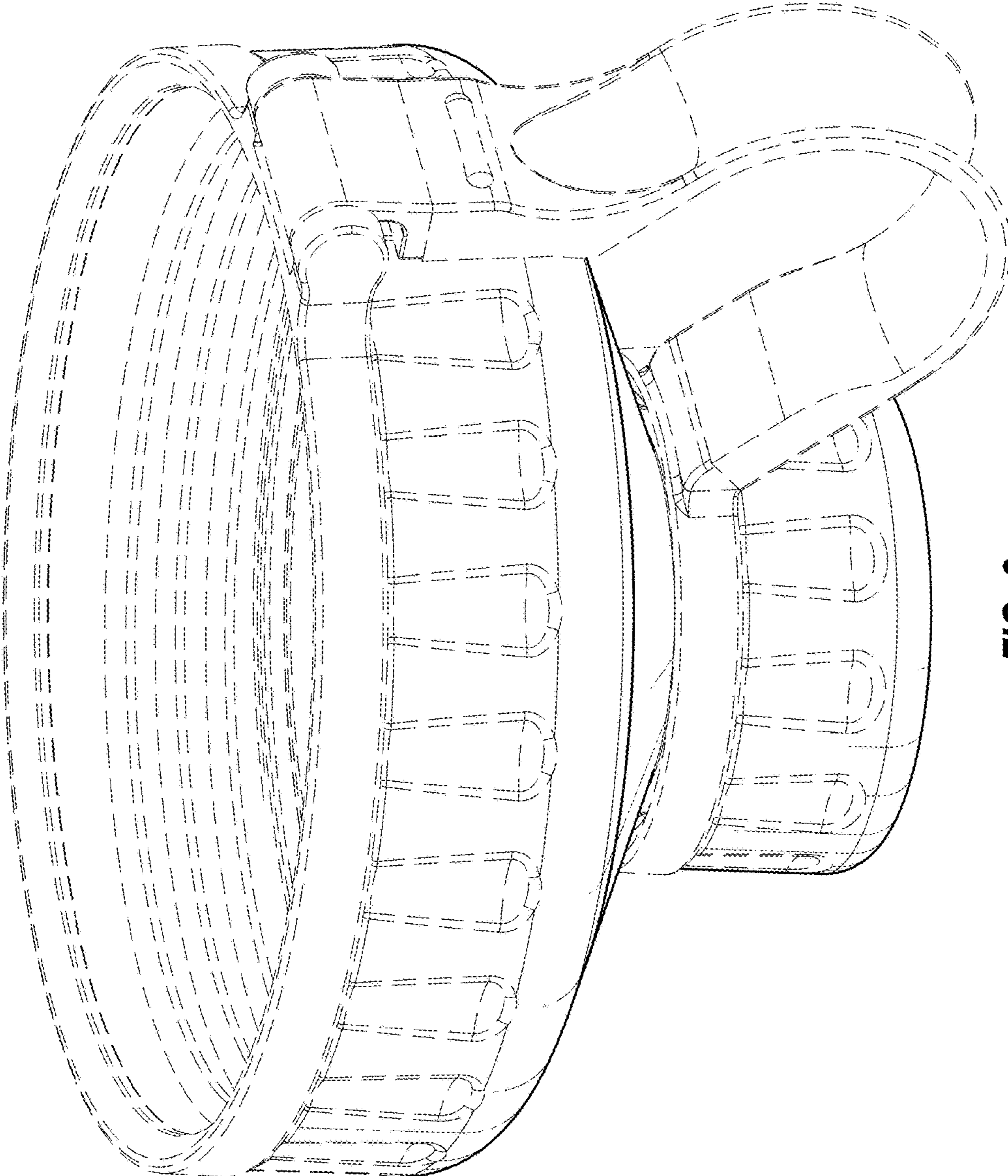


FIG. 3

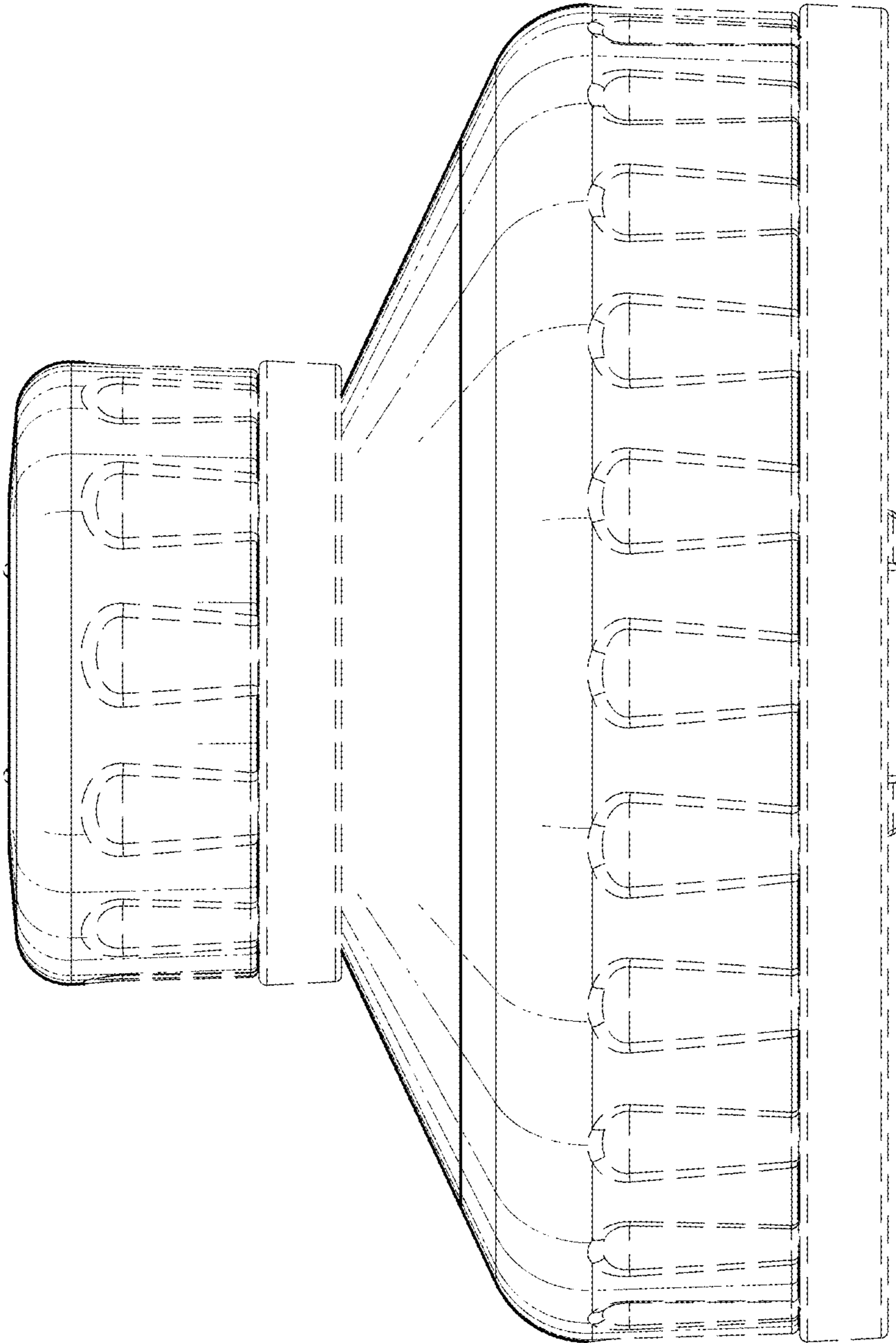


FIG. 4

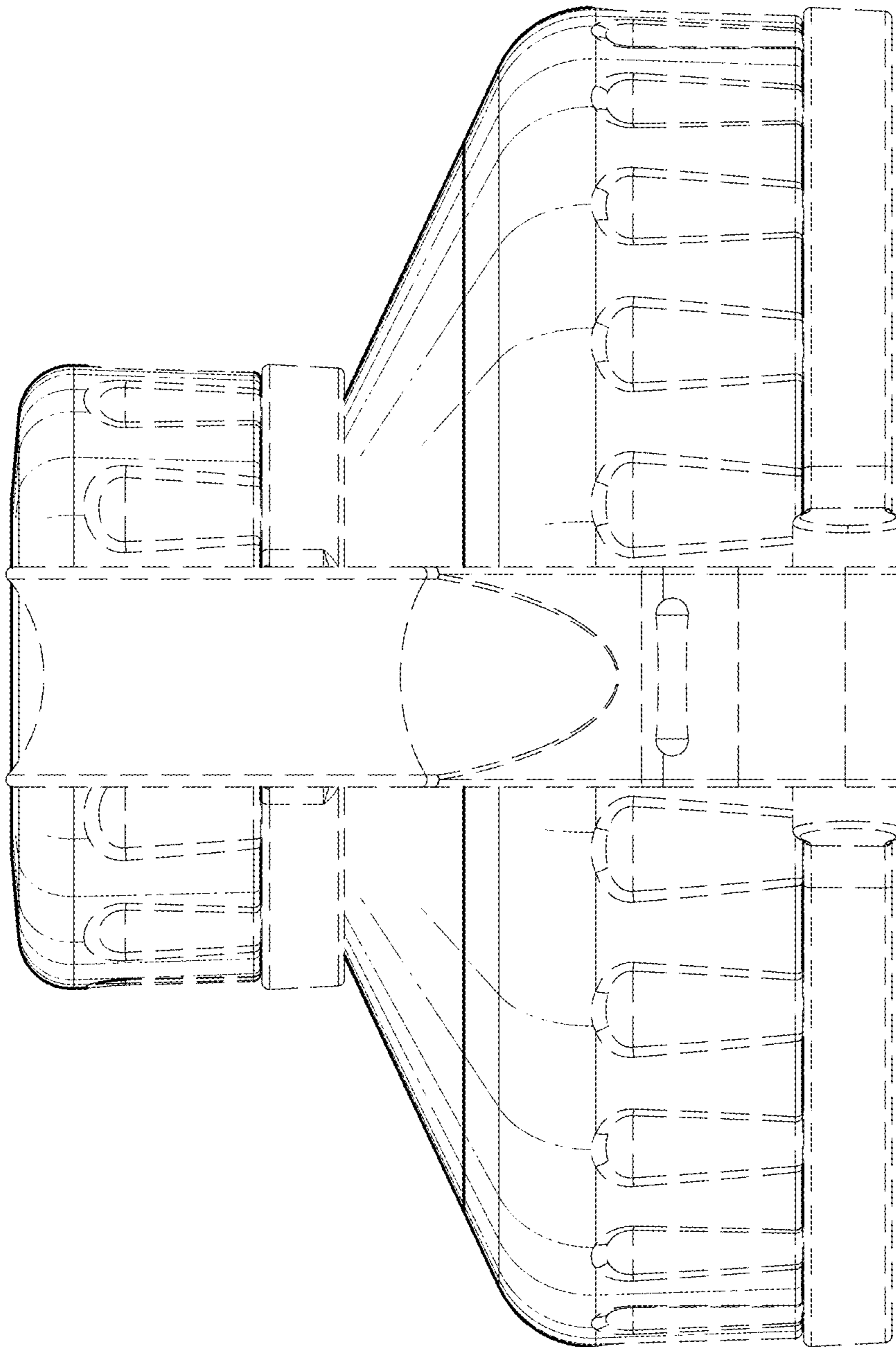


FIG. 5

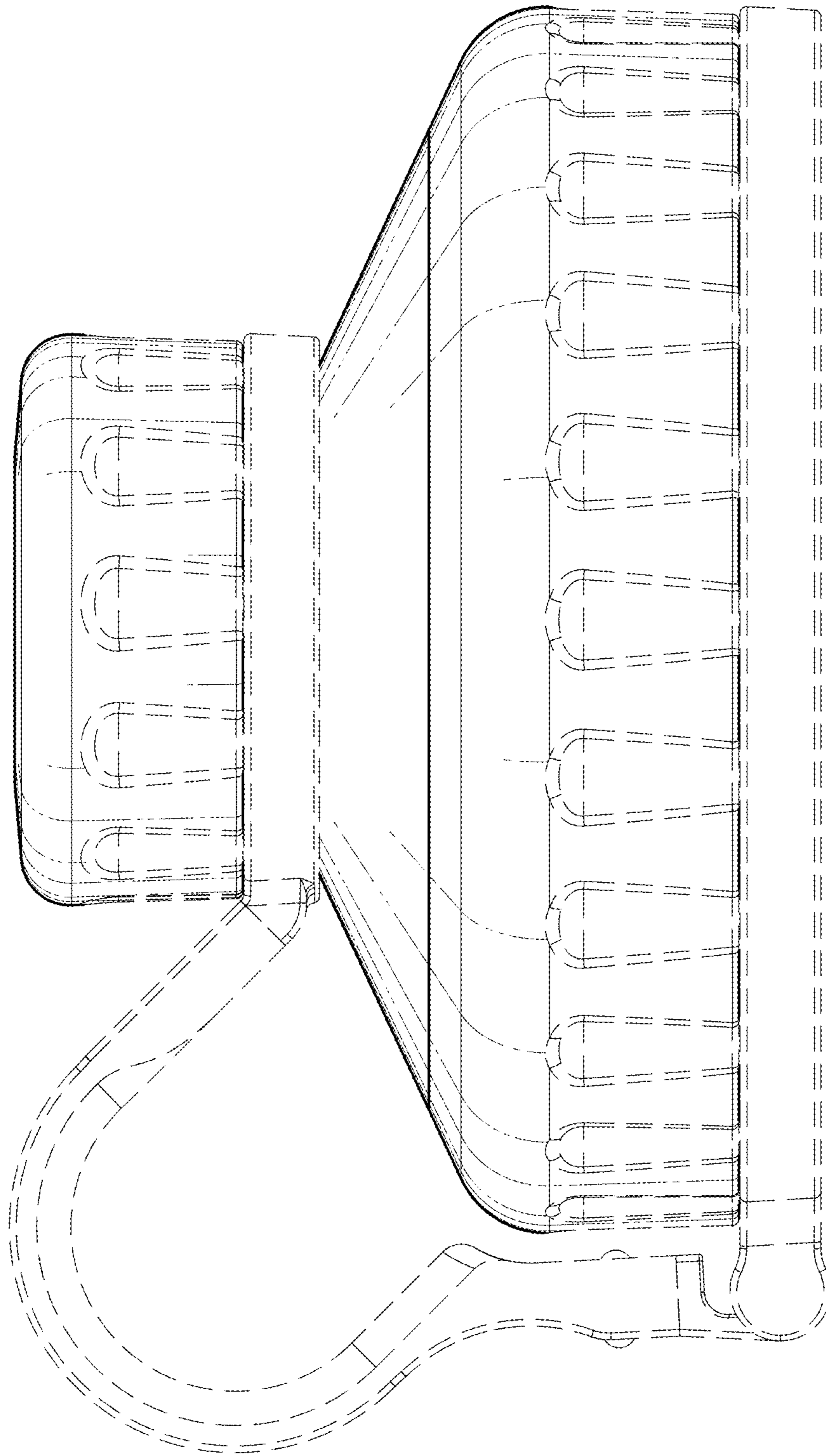


FIG. 6

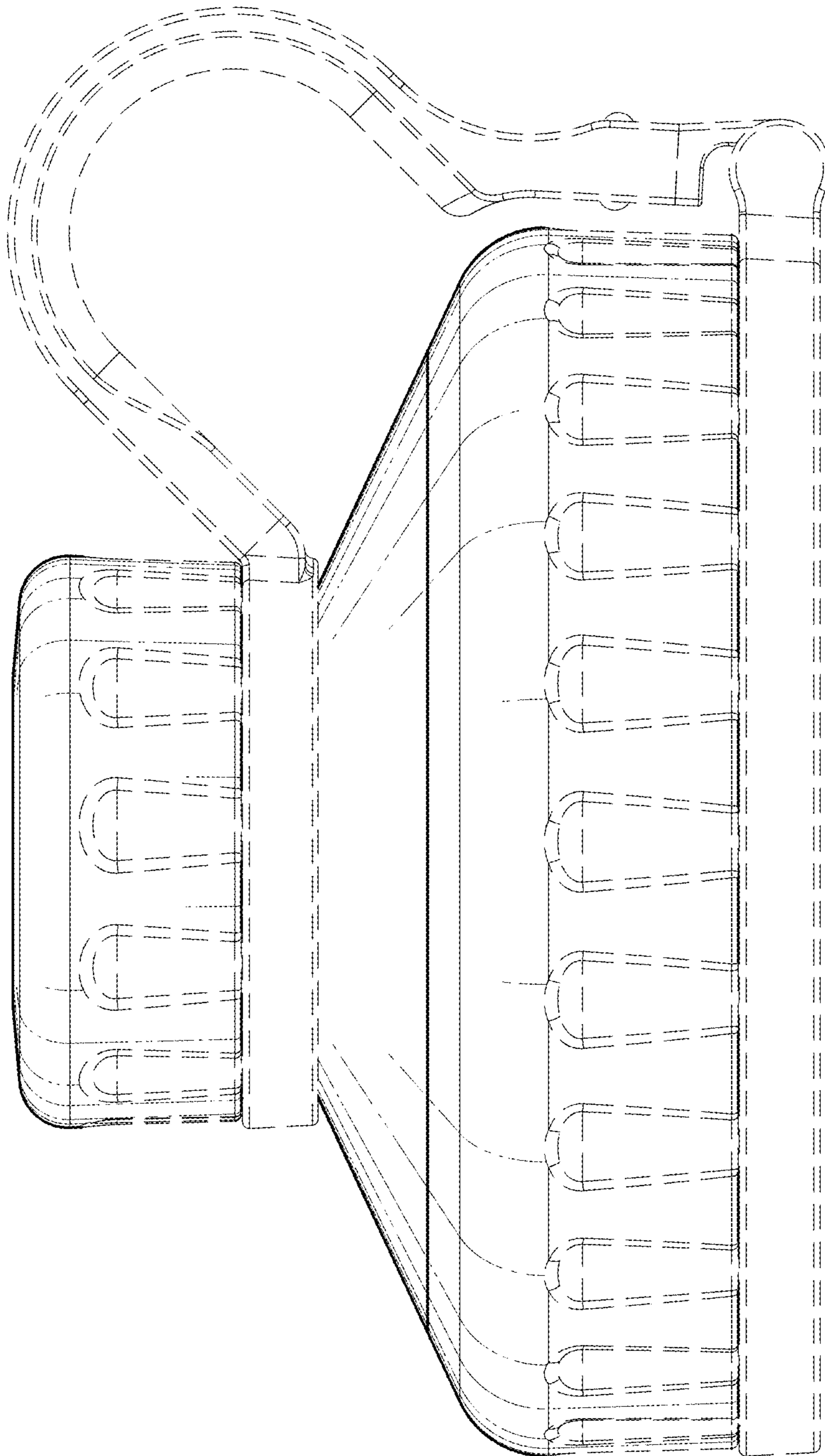


FIG. 7

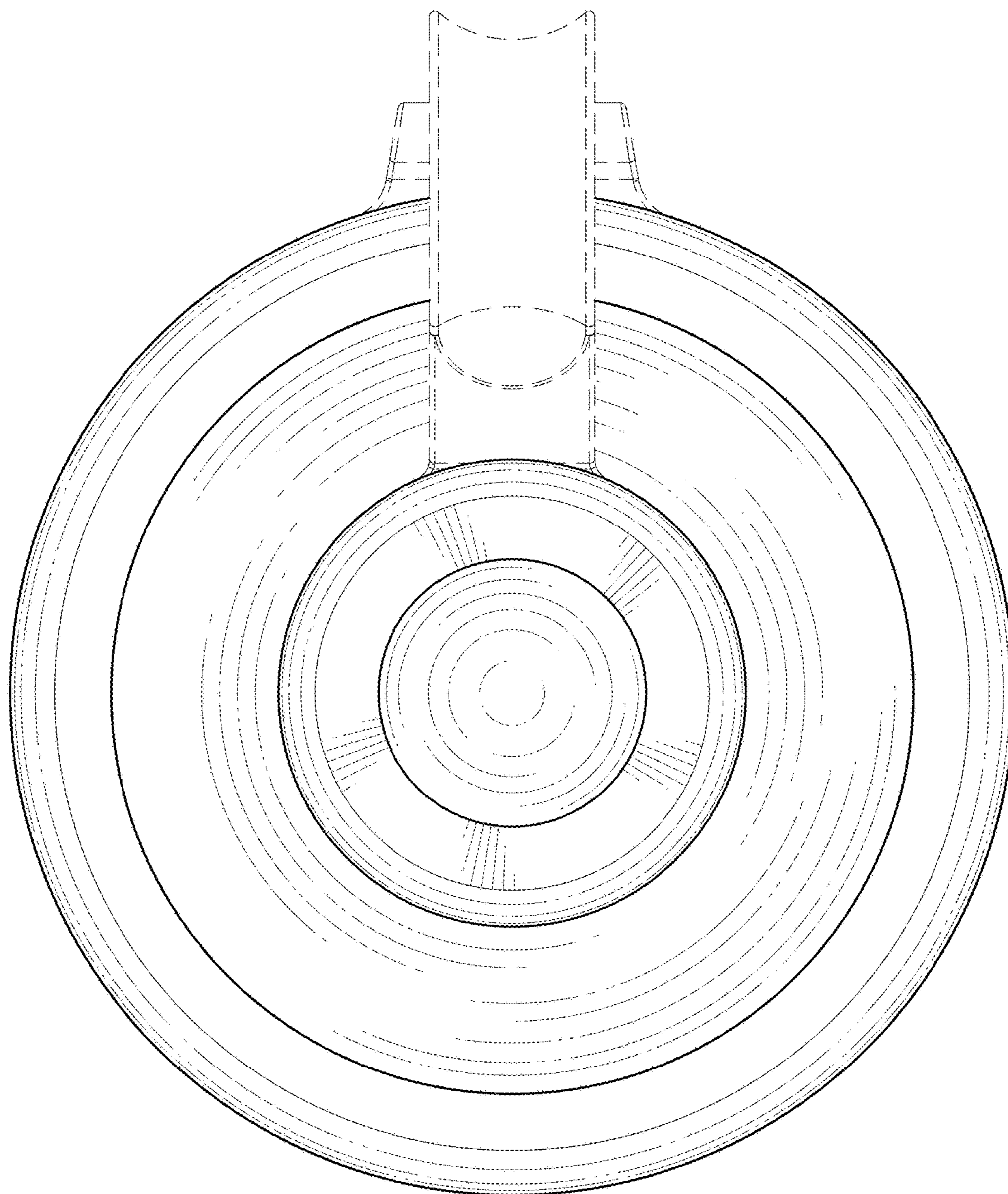


FIG. 8

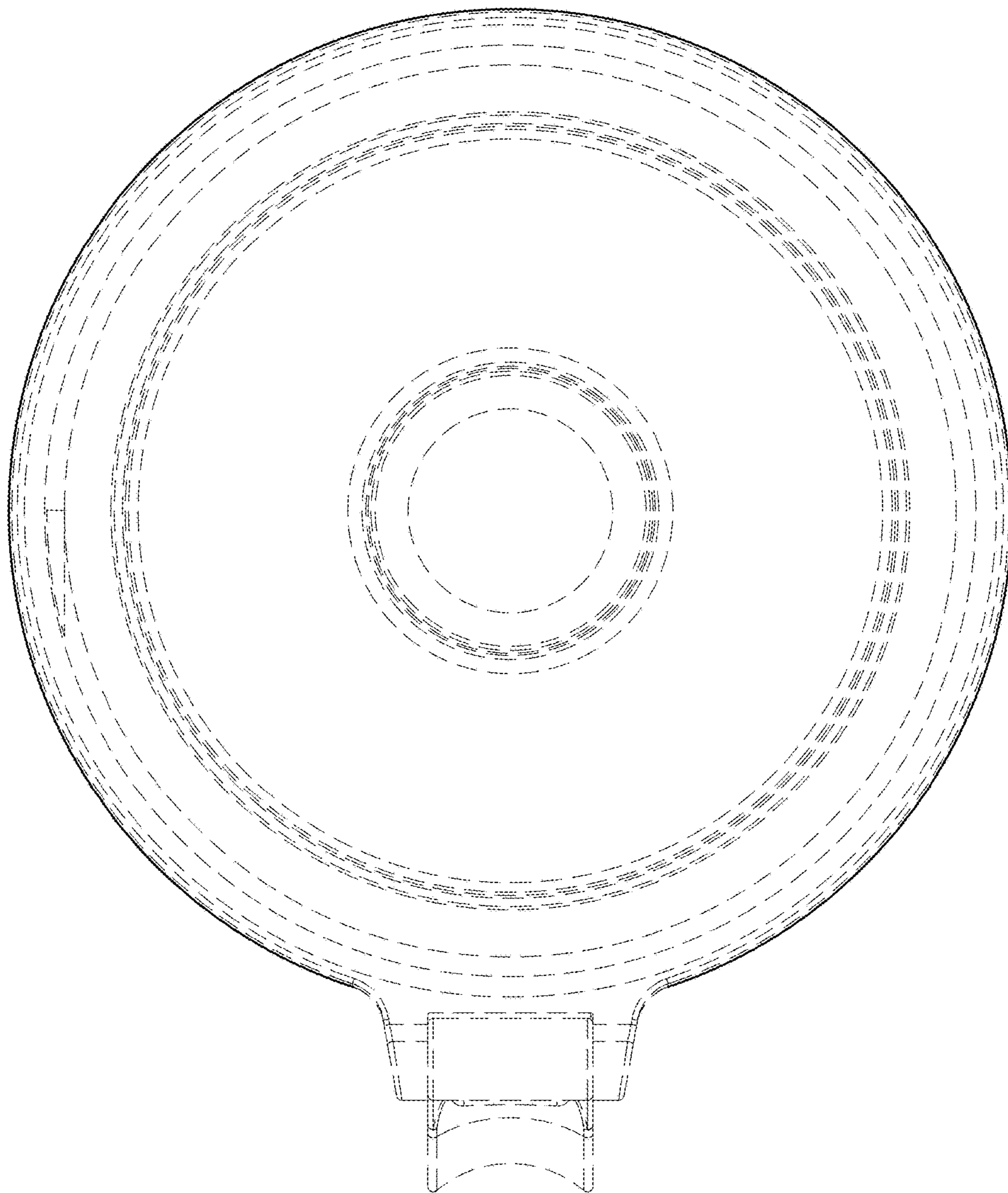


FIG. 9