



US00D797496S

(12) **United States Design Patent** (10) **Patent No.:** **US D797,496 S**
Gee, II et al. (45) **Date of Patent:** **** Sep. 19, 2017**

(54) **BLENDER BASE**

4/423; B02C 13/1835; B28C 5/10; B28C 5/12; B28C 5/14; B28C 5/16

(71) Applicant: **VITA-MIX MANAGEMENT CORPORATION**, Olmsted Township, OH (US)

See application file for complete search history.

(72) Inventors: **Jack W. Gee, II**, Willoughby, OH (US); **Fred H. Mehlman**, Brunswick, OH (US); **Eugene J. Kozlowski**, Medina, OH (US); **Robin Shorr**, Olmsted Township, OH (US); **Phonesacksith Guy Kettavong**, Medina, OH (US); **Christian C. Stewart**, Berea, OH (US); **Steffen Koury**, Everett, MA (US); **Paul Metaxatos**, Swampscott, OH (US); **Benjamin T. Hines**, Cranston, RI (US); **Brendan Boyd Crawford**, Newton, MA (US); **James Troy McGee**, Winthrop, MA (US)

(56) **References Cited**

U.S. PATENT DOCUMENTS

| | | | | |
|--------------|---------|----------------|-------|--------|
| D242,208 S * | 11/1976 | Madl et al. | | D7/378 |
| D480,915 S | 10/2003 | Kolar et al. | | |
| D526,531 S * | 8/2006 | Drees | | D7/378 |
| D533,395 S * | 12/2006 | Drees | | D7/378 |
| D552,419 S * | 10/2007 | Picozza | | D7/412 |
| D577,537 S * | 9/2008 | Lee | | D7/378 |
| D587,526 S | 3/2009 | Barnard et al. | | |

(Continued)

Primary Examiner — Ricky Pham

(74) *Attorney, Agent, or Firm* — McDonald Hopkins LLC

(73) Assignee: **VITA-MIX MANAGEMENT CORPORATION**, Olmsted Township, OH (US)

(57) **CLAIM**

The ornamental design for a blender base, as shown and described.

(**) Term: **15 Years**

DESCRIPTION

(21) Appl. No.: **29/557,010**

(22) Filed: **Mar. 4, 2016**

(51) **LOC (10) Cl.** **31-00**

(52) **U.S. Cl.**

USPC **D7/386**; D7/376; D7/378; D7/412

(58) **Field of Classification Search**

USPC D7/372, 376–386, 412–413, 602, 629, D7/665–666, 669, 679, 693–694

CPC A21C 1/02; A21C 1/04; A23N 1/00; A23N 1/02; A47J 43/04; A47J 43/25; A47J 43/27; A47J 43/042; A47J 43/044; A47J 43/046; A47J 43/075; A47J 43/0722; A47J 43/0727; B01F 3/00; B01F 3/0807; B01F 3/0853; B01F 13/0059; B01F 13/0064; B02C 1/08; B02C 2/04; B02C 4/42; B02C 4/142; B02C 4/143; B02C

FIG. 1 is a perspective view of a blender base showing our new design;

FIG. 2 is a front side view thereof;

FIG. 3 is a back side view thereof;

FIG. 4 is a first side view thereof;

FIG. 5 is a second side view thereof;

FIG. 6 is a top view thereof;

FIG. 7 is a bottom view thereof;

FIG. 8 is a perspective view of a second embodiment of a blender base showing our new design;

FIG. 9 is a front side view thereof;

FIG. 10 is a back side view thereof;

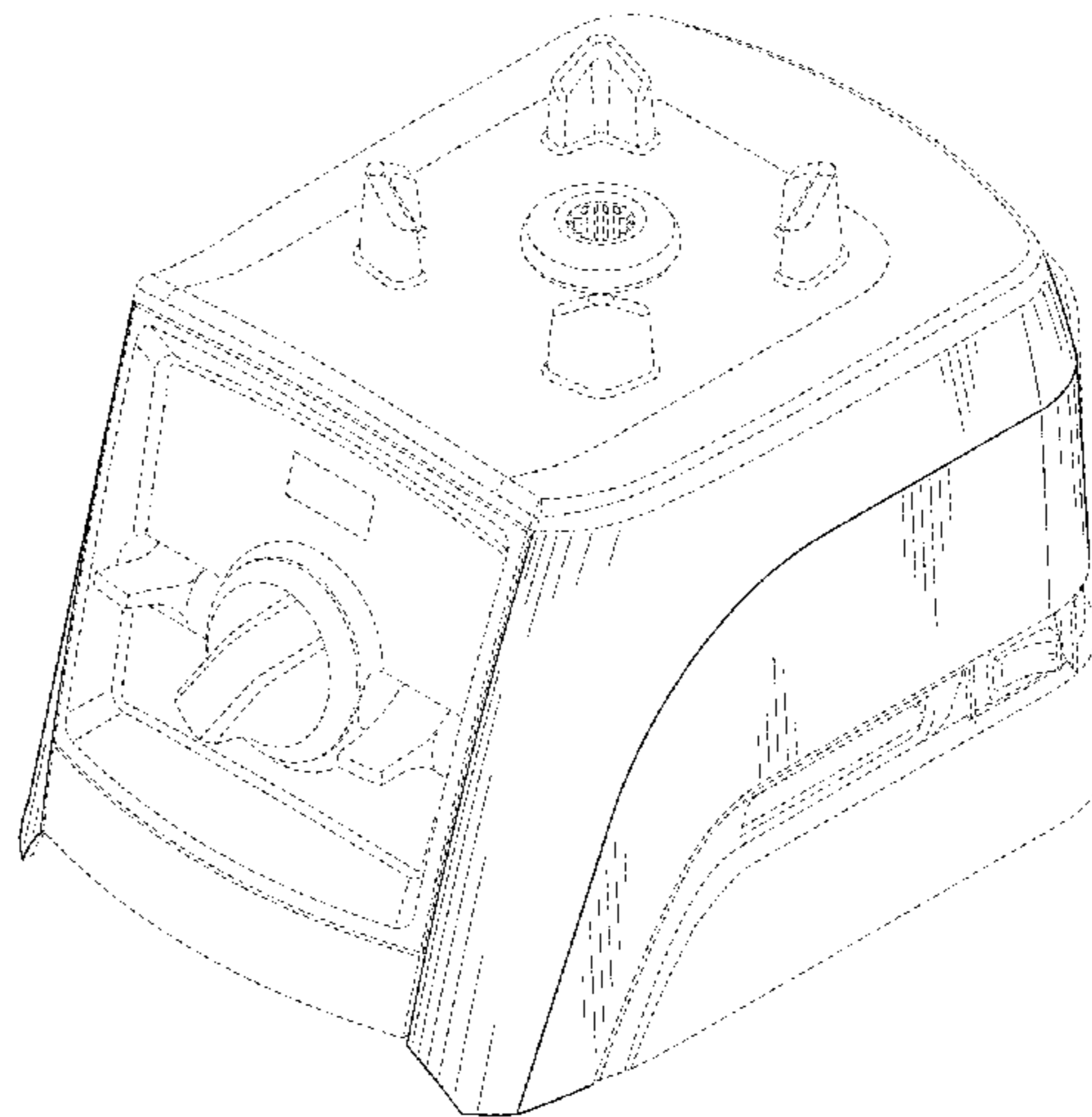
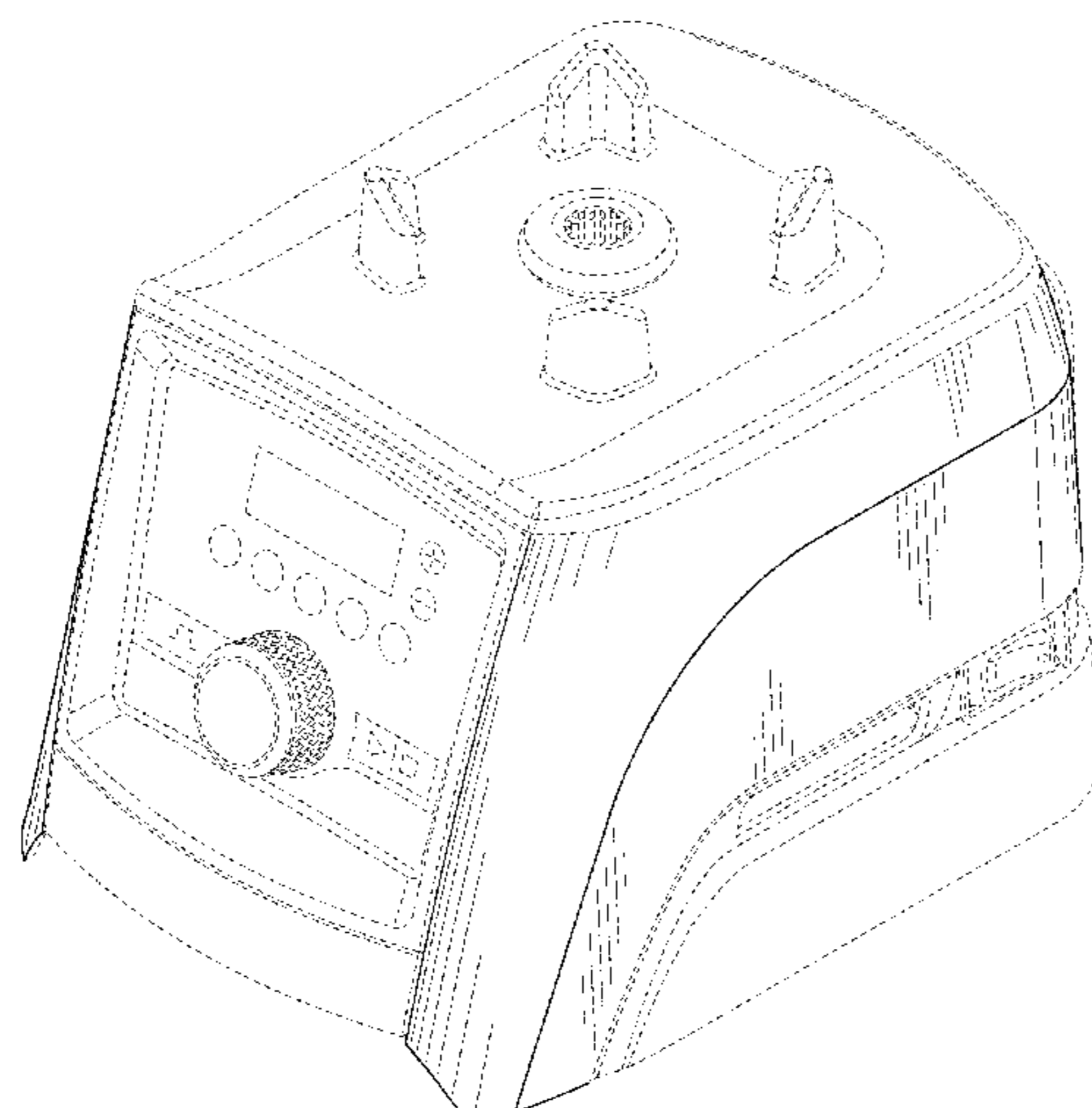
FIG. 11 is a first side view thereof;

FIG. 12 is a second side view thereof;

FIG. 13 is a top view thereof; and,

FIG. 14 is a bottom view thereof.

1 Claim, 14 Drawing Sheets



(56)

References Cited

U.S. PATENT DOCUMENTS

| | | | | |
|--------------|-----|---------|-----------------|--------|
| D588,406 | S | 3/2009 | Ulanski et al. | |
| D605,462 | S * | 12/2009 | Picozza | D7/378 |
| D617,136 | S * | 6/2010 | Bock | D7/378 |
| D617,145 | S * | 6/2010 | Picozza | D7/378 |
| D621,656 | S | 8/2010 | Ulanski et al. | |
| D642,857 | S * | 8/2011 | Bodum | D7/376 |
| D644,480 | S * | 9/2011 | Czach | D7/376 |
| D660,642 | S * | 5/2012 | Boozer | D7/376 |
| D662,359 | S | 6/2012 | Boozer et al. | |
| D667,259 | S * | 9/2012 | Lee | D7/376 |
| D667,260 | S * | 9/2012 | Lee | D7/376 |
| D667,261 | S * | 9/2012 | Lee | D7/376 |
| D668,100 | S * | 10/2012 | Palermo | D7/376 |
| D677,976 | S * | 3/2013 | Palermo | D7/376 |
| D678,727 | S | 3/2013 | Kolar et al. | |
| D690,152 | S * | 9/2013 | Palermo | D7/376 |
| 8,529,120 | B2 | 9/2013 | Ulanski et al. | |
| D694,573 | S * | 12/2013 | Norland | D7/376 |
| D702,078 | S * | 4/2014 | Coakley | D7/376 |
| D711,688 | S * | 8/2014 | Prats | D7/378 |
| 8,814,011 | B2 | 8/2014 | Ulanski et al. | |
| D730,682 | S * | 6/2015 | Tu | D7/376 |
| D733,488 | S * | 7/2015 | Tu | D7/376 |
| D755,003 | S * | 5/2016 | Palermo | D7/376 |
| D765,462 | S * | 9/2016 | Davies | D7/376 |
| D765,465 | S * | 9/2016 | Du | D7/376 |
| D771,999 | S * | 11/2016 | Kettavong | D7/376 |
| 2015/0265983 | A1 | 9/2015 | Fleming et al. | |

* cited by examiner

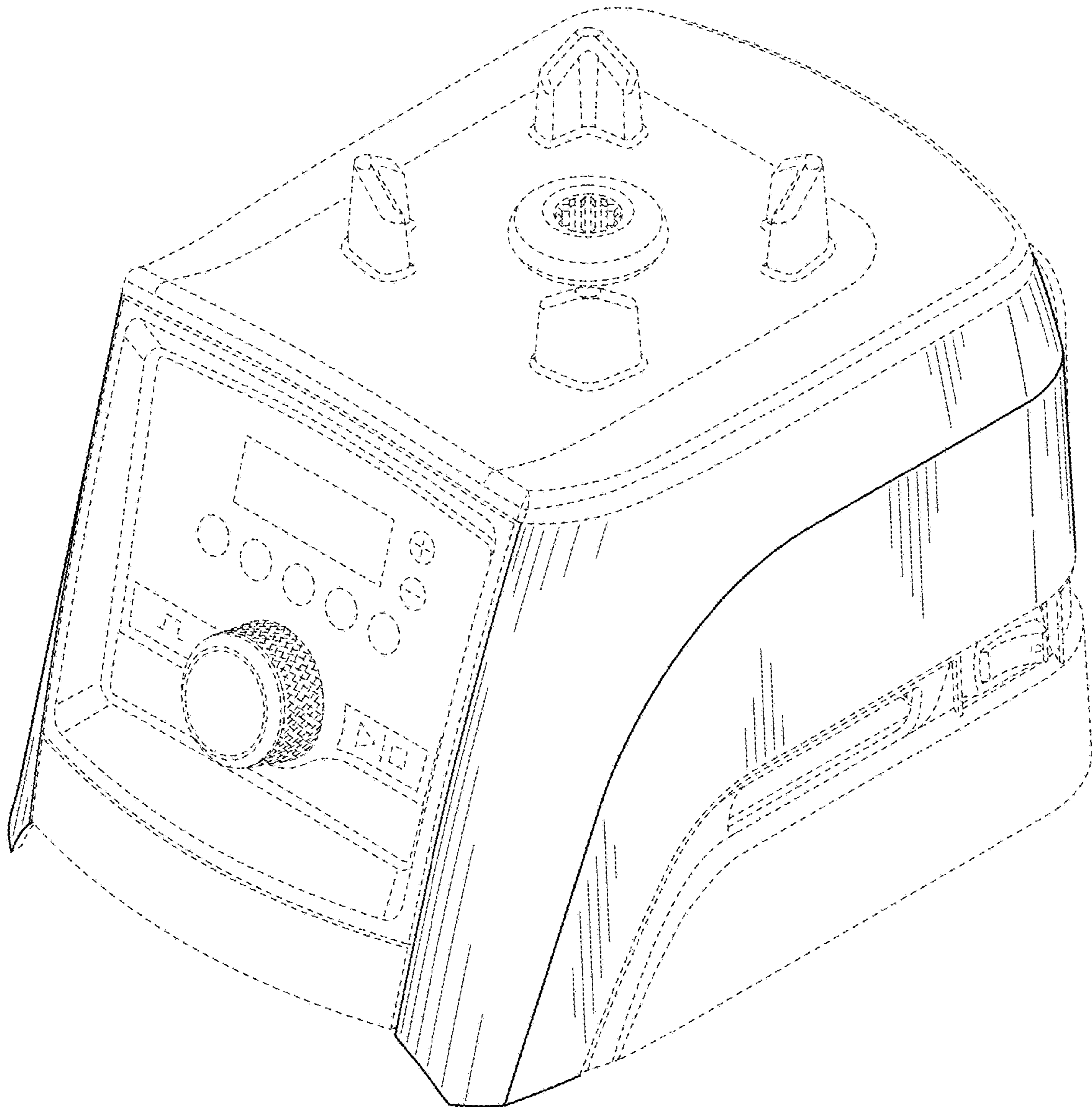


FIG. 1

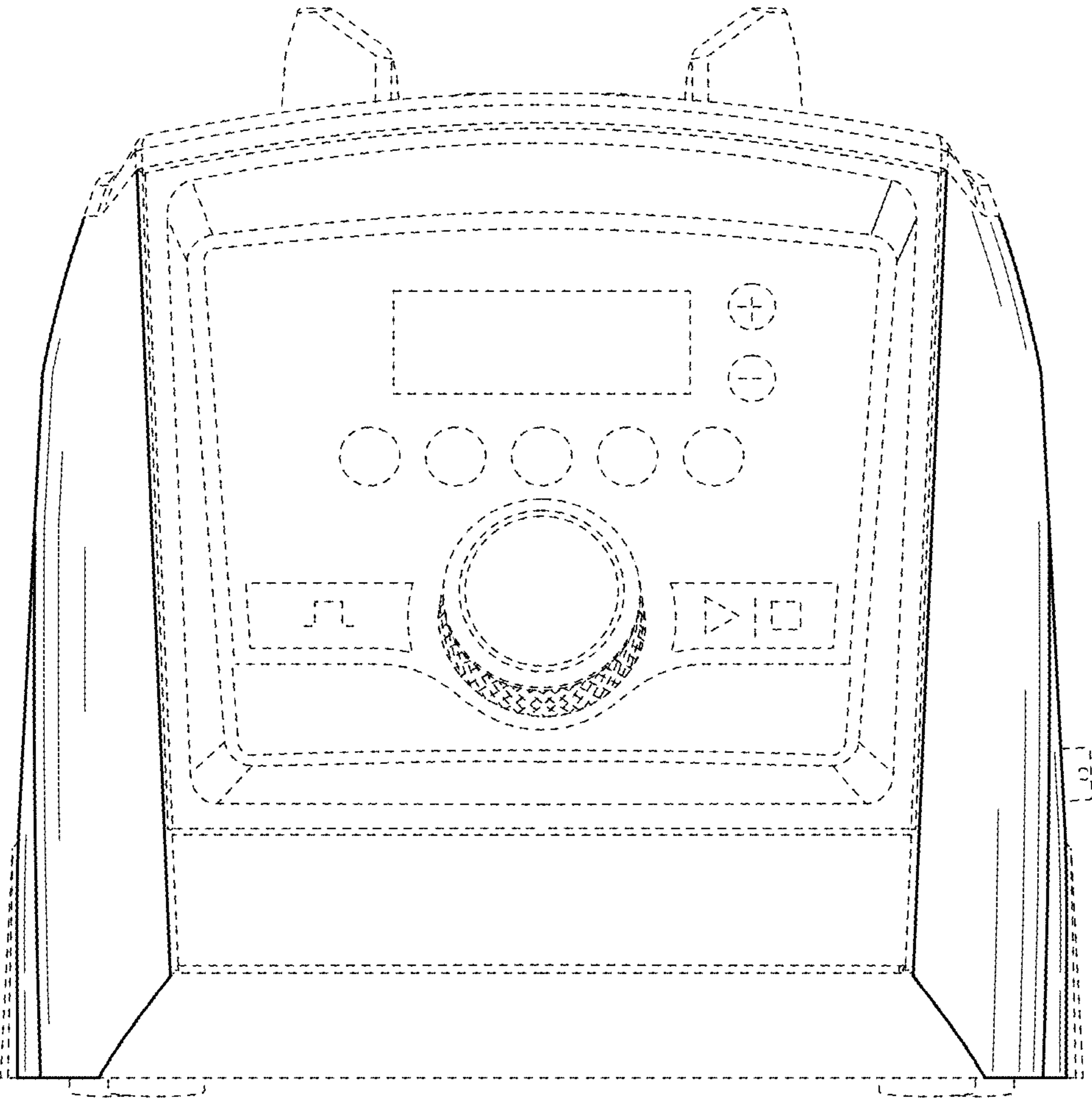


FIG. 2

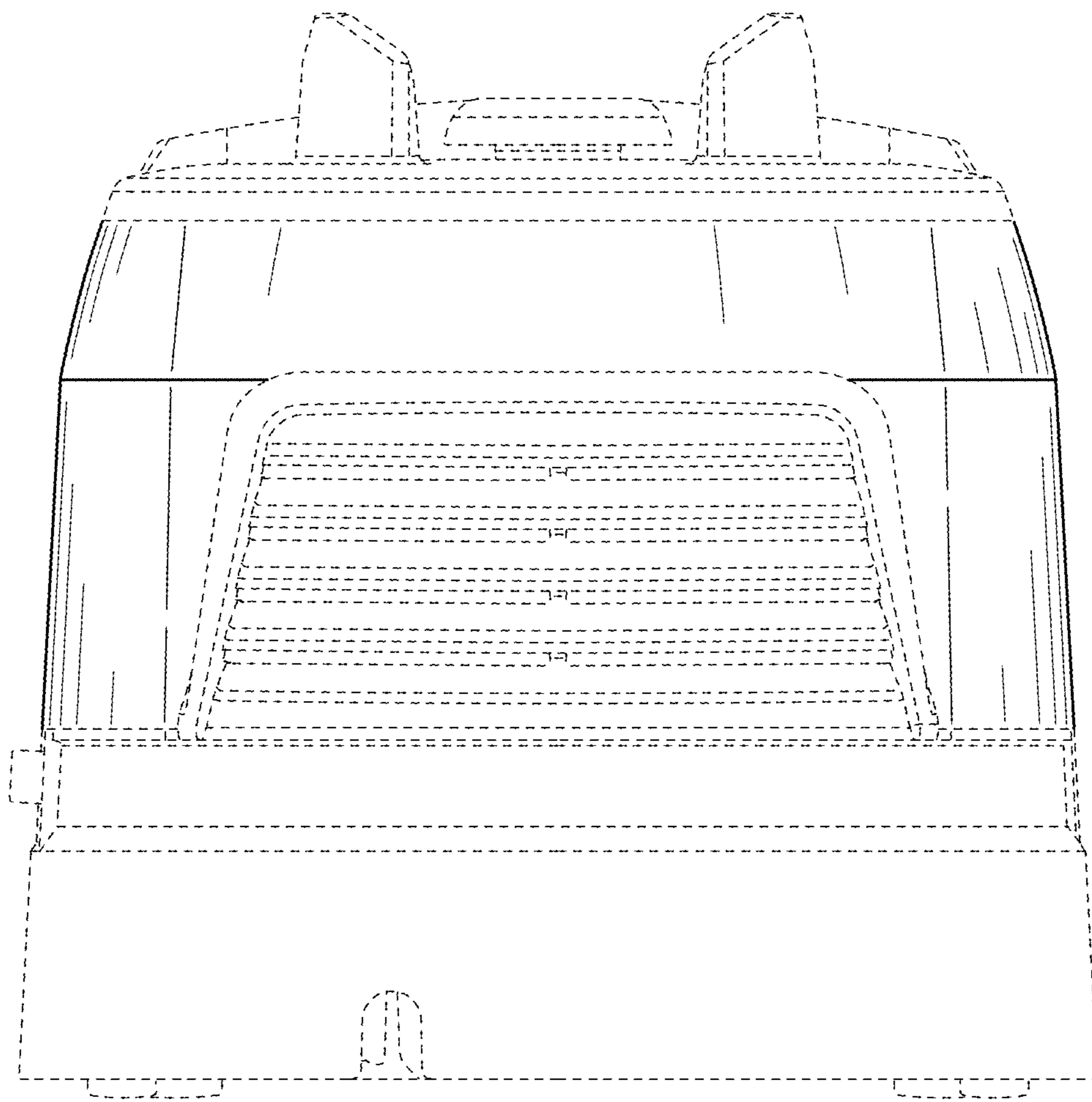


FIG. 3

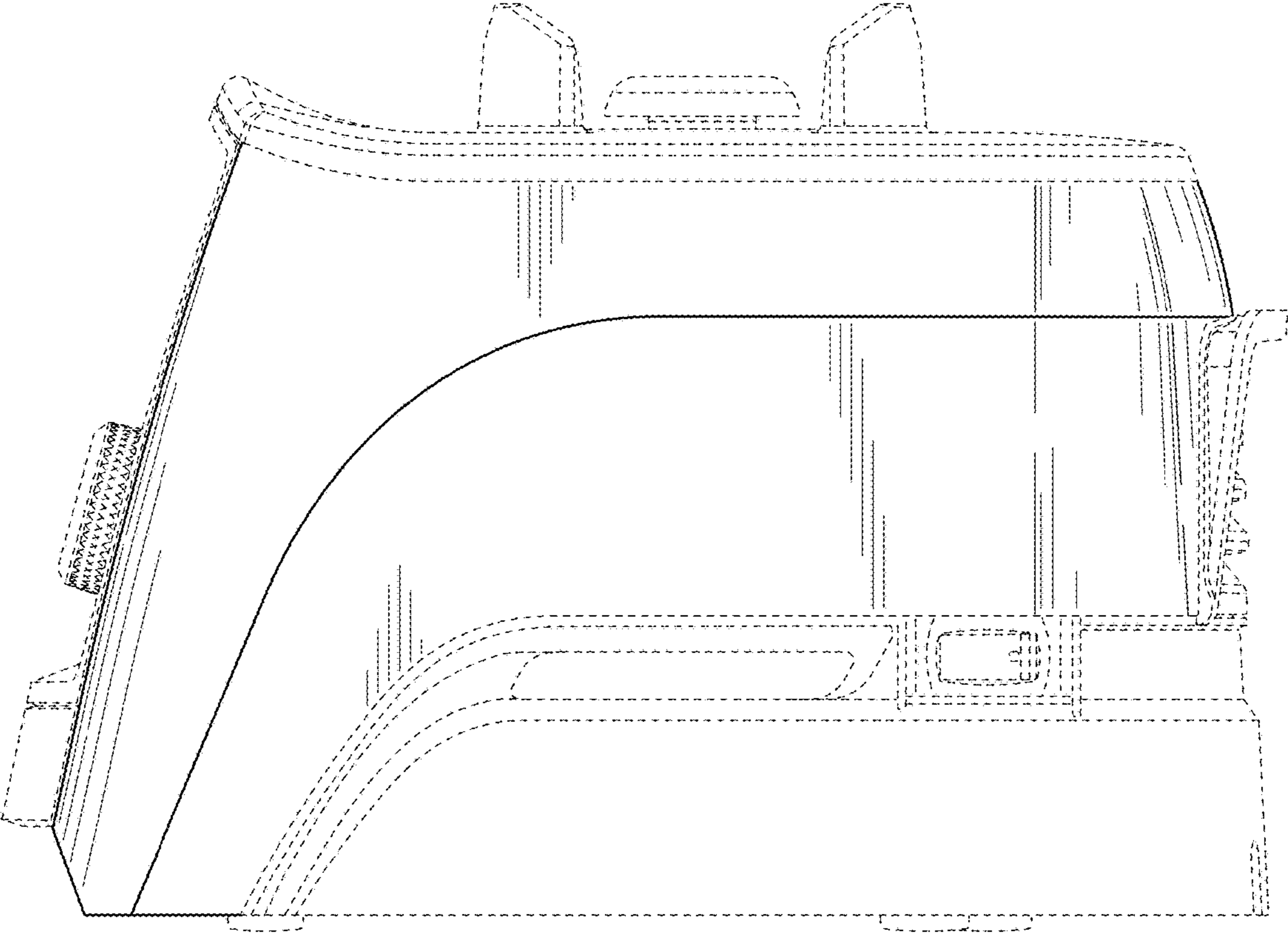


FIG. 4

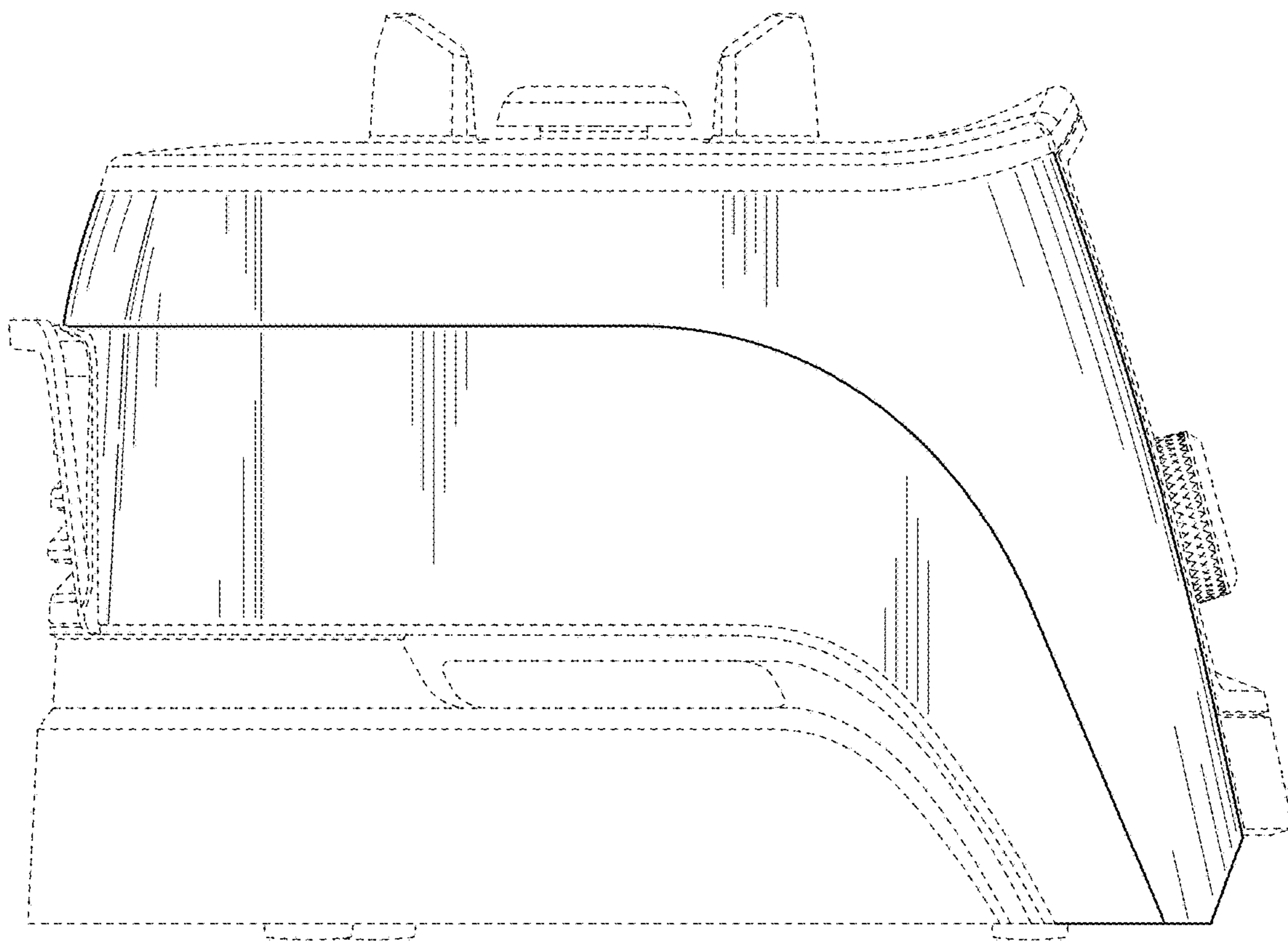


FIG. 5

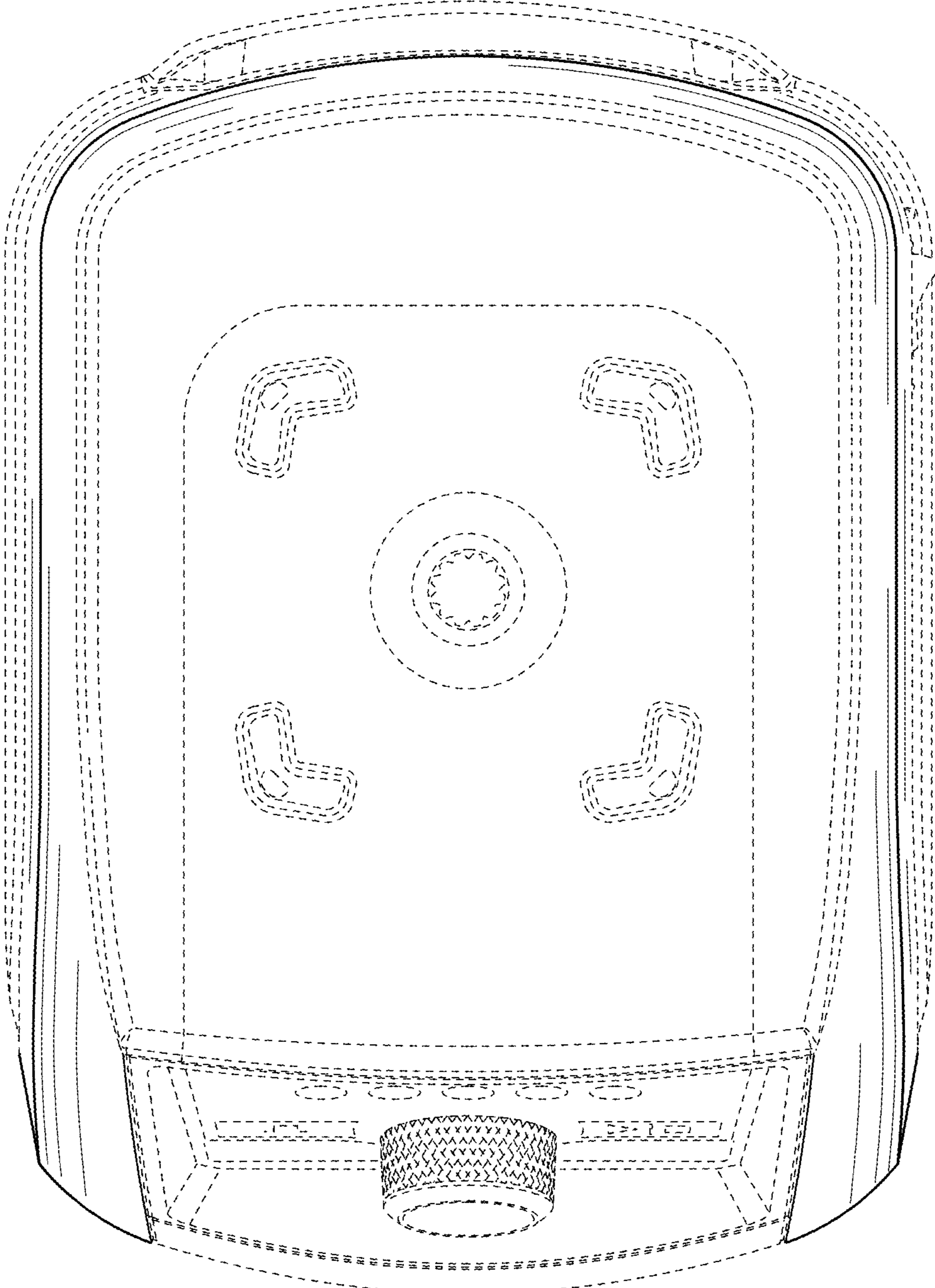


FIG. 6

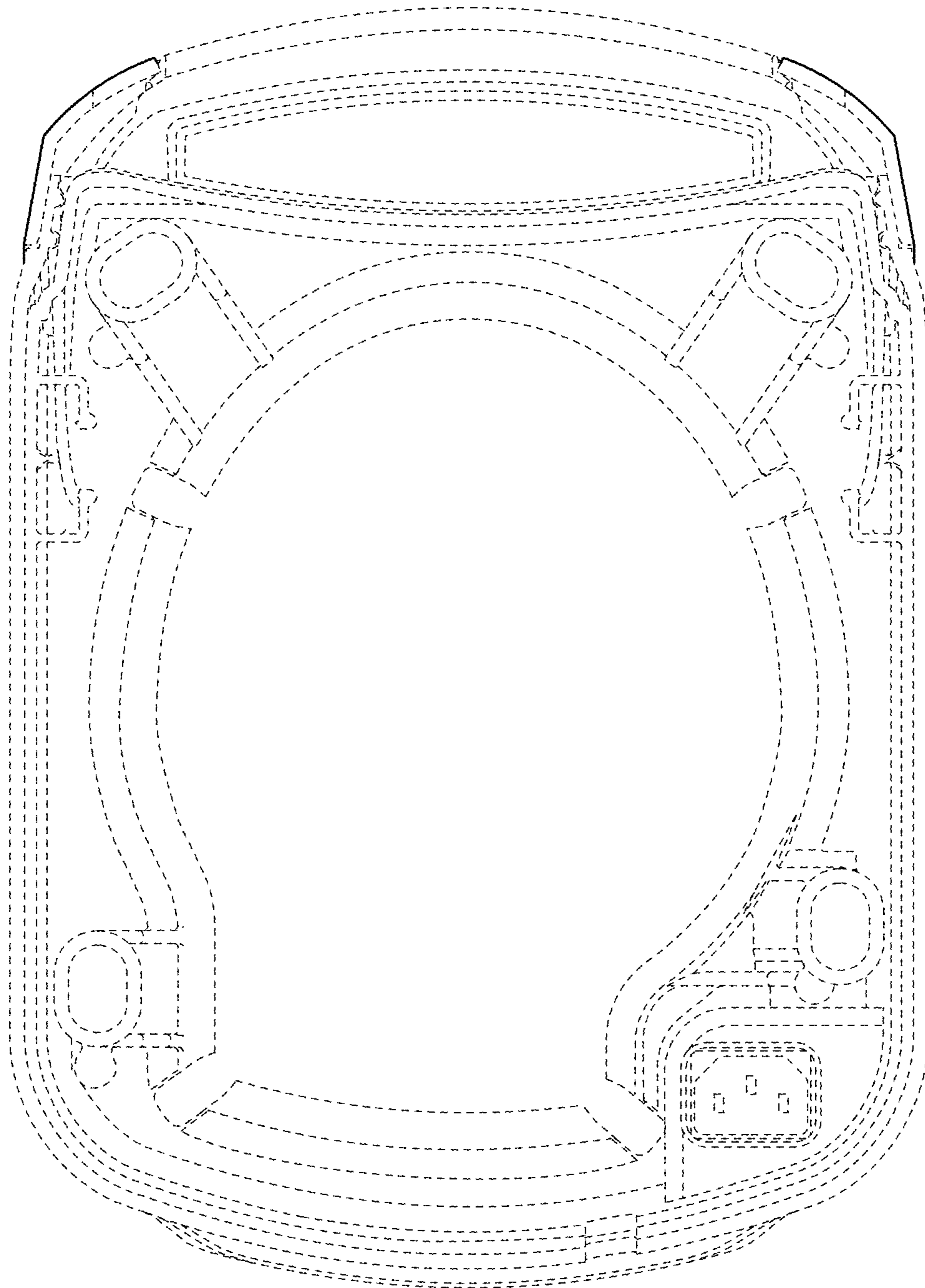


FIG. 7

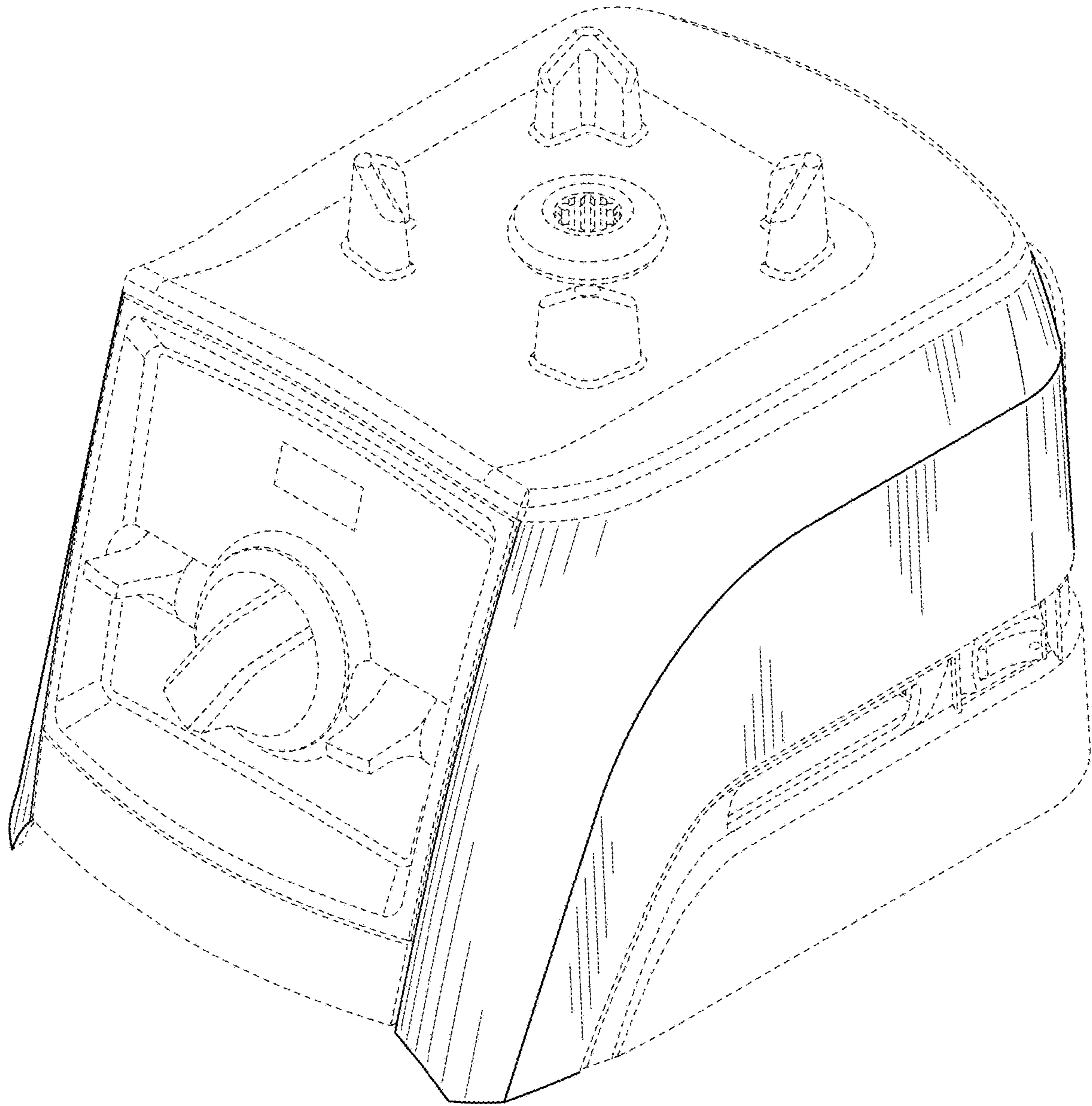


FIG. 8

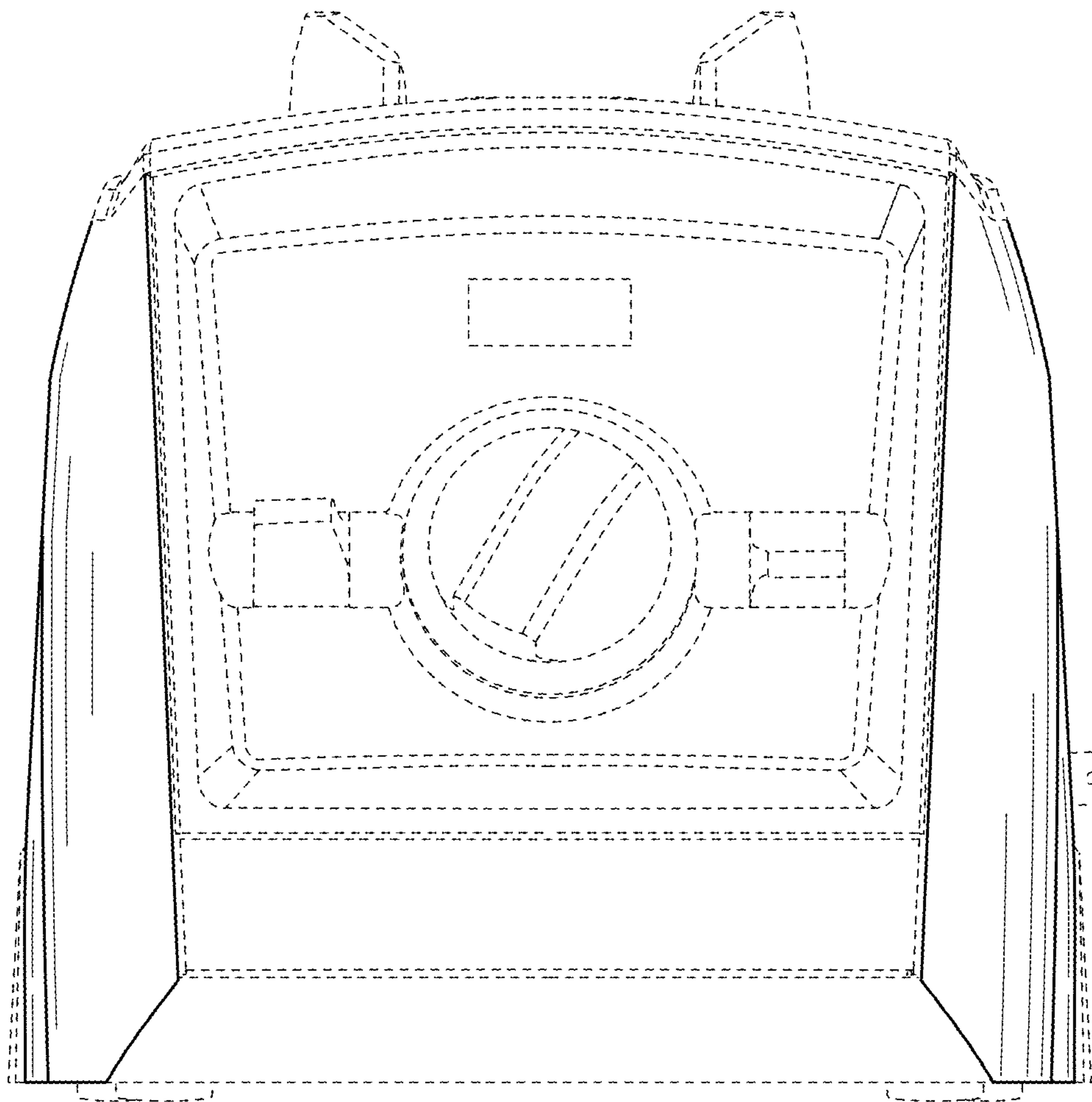


FIG. 9

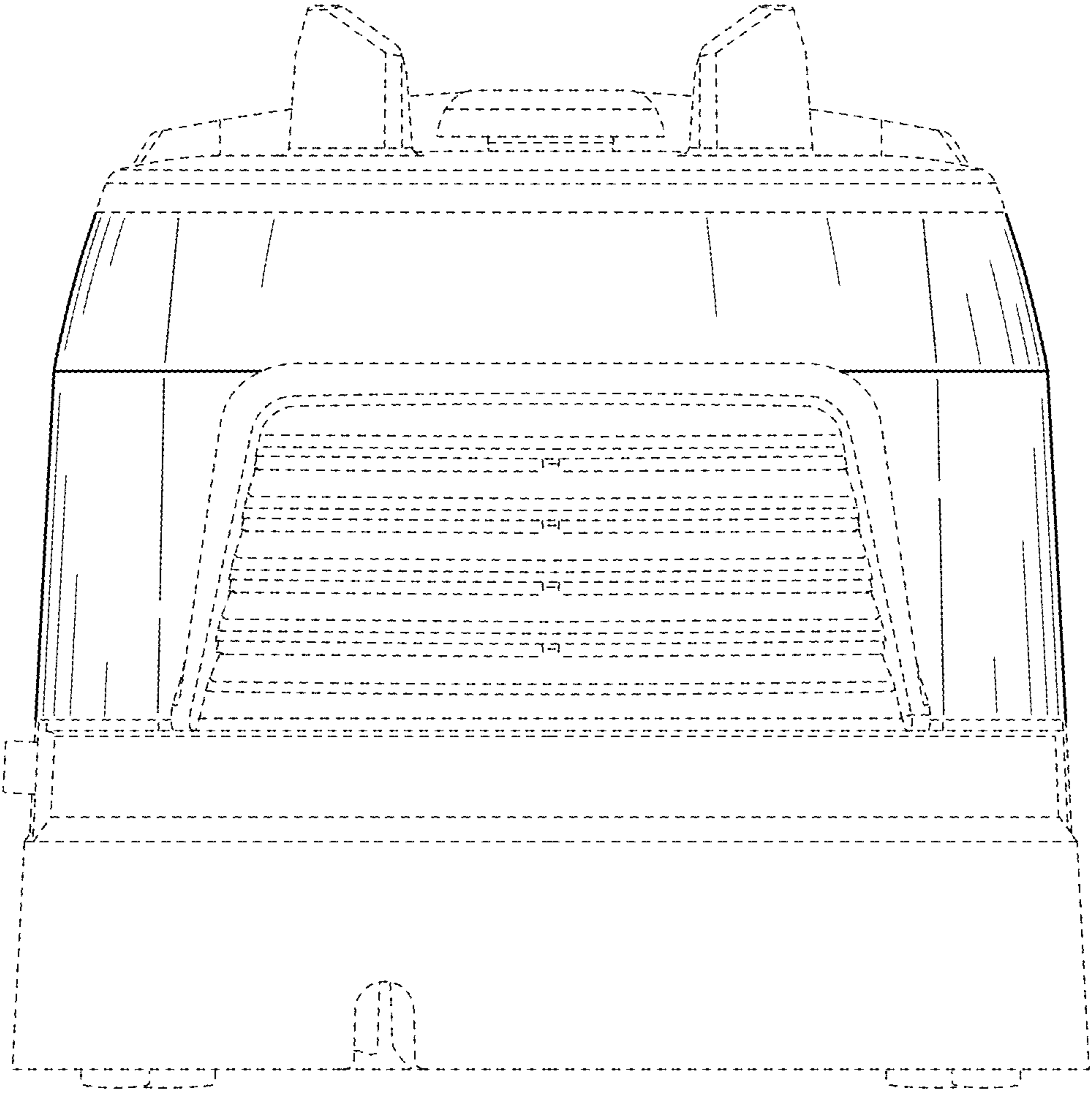


FIG. 10

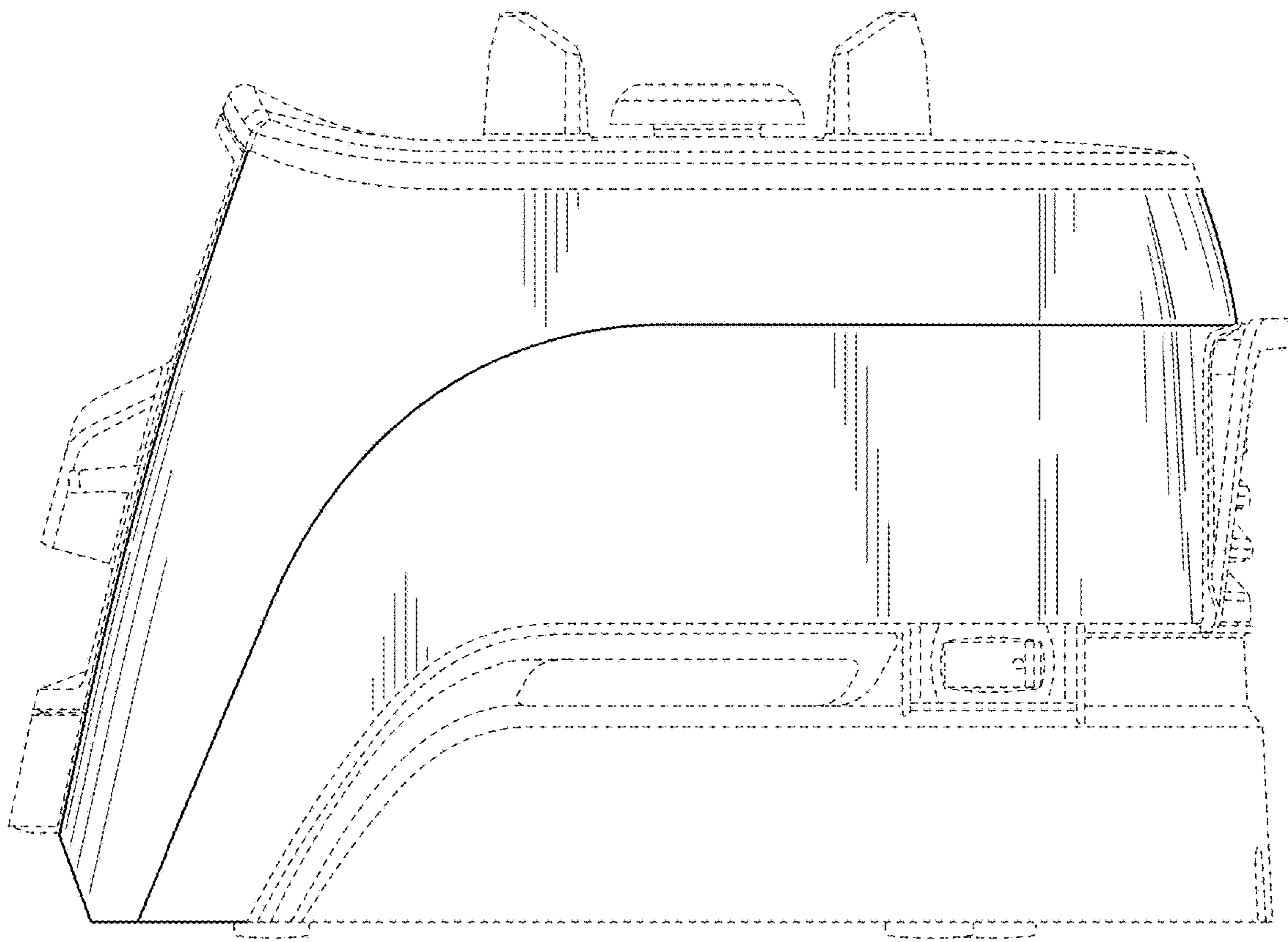


FIG. 11

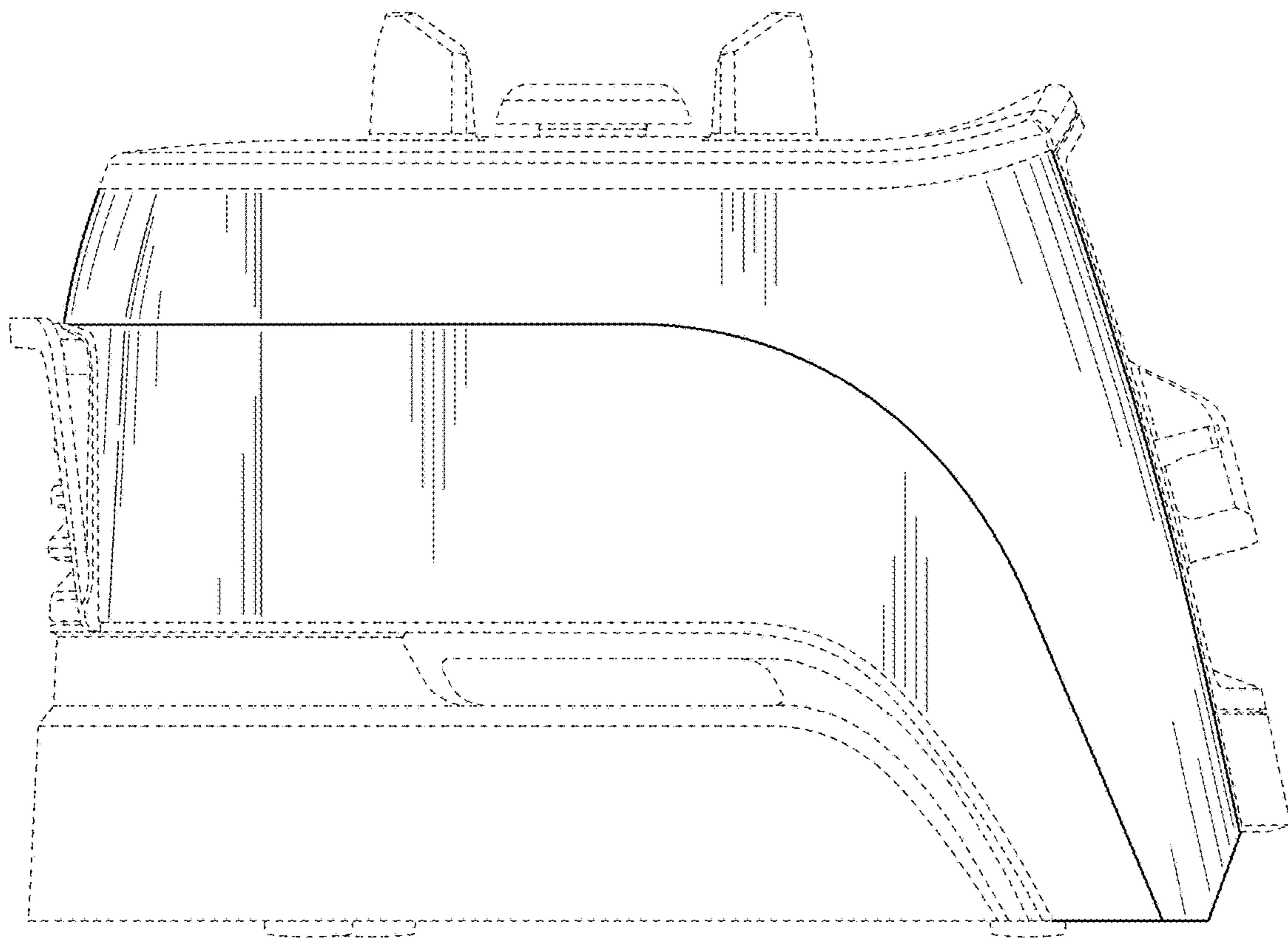


FIG. 12

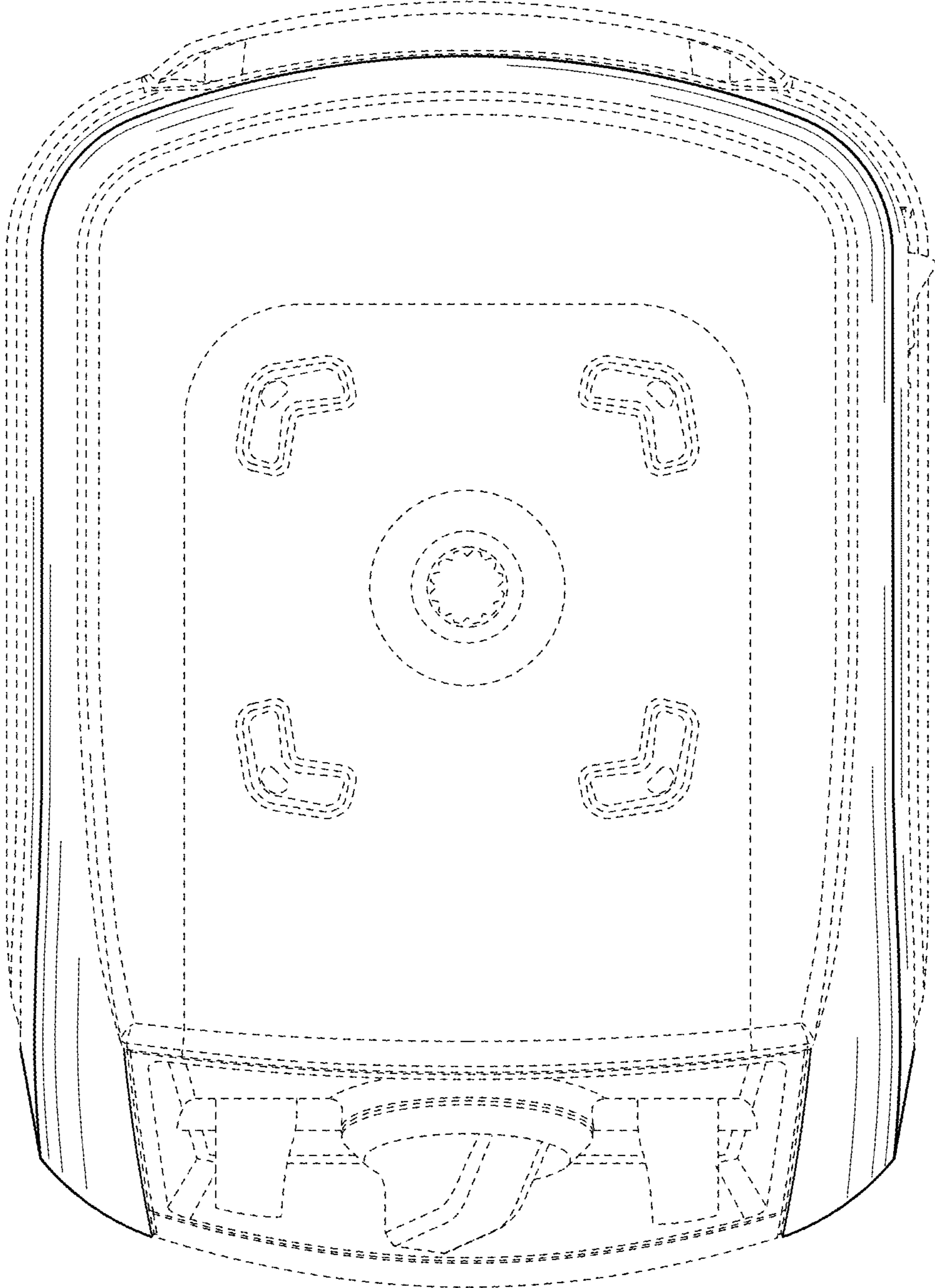


FIG. 13

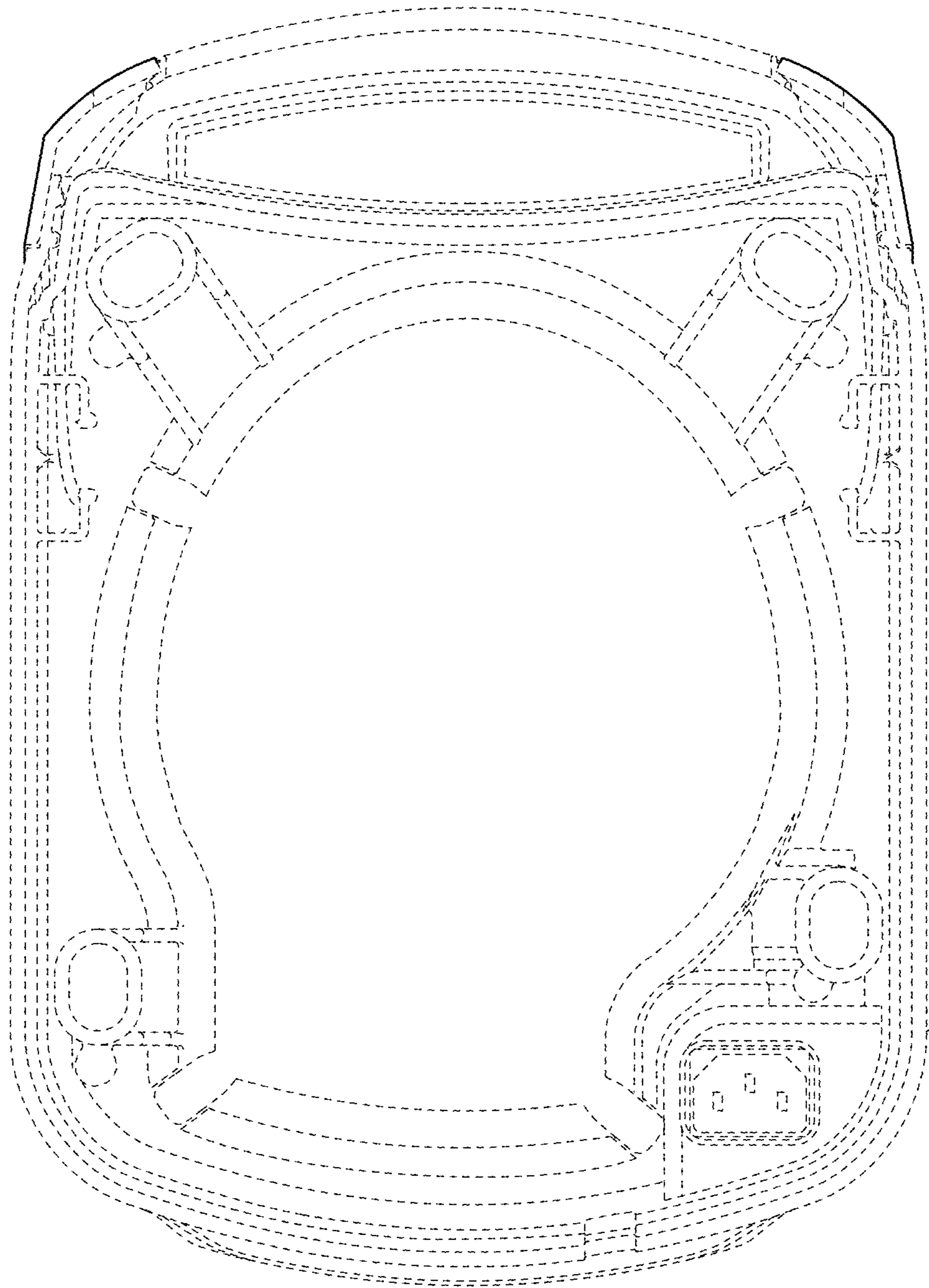


FIG. 14