



US00D797495S

(12) **United States Design Patent**
McConnell et al.

(10) **Patent No.:** **US D797,495 S**
(45) **Date of Patent:** **** Sep. 19, 2017**

- (54) **MOTORIZED SPIRALIZER**
- (71) Applicant: **WHIRLPOOL CORPORATION**,
Benton Harbor, MI (US)
- (72) Inventors: **John W. McConnell**, St. Joseph, MI
(US); **Mansour Oursanah**, Chicago,
IL (US)
- (73) Assignee: **Whirlpool Corporation**, Benton
Harbor, MI (US)
- (**) Term: **15 Years**
- (21) Appl. No.: **29/564,979**
- (22) Filed: **May 17, 2016**
- (51) **LOC (10) Cl.** **31-00**
- (52) **U.S. Cl.**
USPC **D7/381**; D7/379; D7/376
- (58) **Field of Classification Search**
USPC D7/372-385, 412-414, 669, 672,
D7/678-679, 693; 99/537-538, 593
CPC ... A21C 1/02; A21C 1/04; A47G 19/22; A47J
43/042; A47J 43/04; A47J 43/25; A47J
43/27; A23N 1/00; A23N 1/02
See application file for complete search history.

- (56) **References Cited**
U.S. PATENT DOCUMENTS
- 243,035 A * 6/1881 Geer A23N 4/04
99/515
- 255,856 A * 4/1882 Heizermann A23N 4/14
99/543
- 273,418 A * 3/1883 Whittemore A23N 4/14
99/592
- 360,527 A * 4/1887 Hudson A23N 4/14
99/541
- 1,062,429 A * 5/1913 Balod B26D 3/185
83/425.1
- D116,747 S * 9/1939 Meeker et al. D7/379
- D158,947 S * 6/1950 Ernst D7/379

- 3,211,202 A * 10/1965 Mason A47J 17/16
83/425.1
- 3,679,140 A * 7/1972 Kaishita B26D 1/00
241/95
- 4,628,808 A 12/1986 Simon
- 4,822,172 A * 4/1989 Stottmann A47J 43/082
366/142
- D322,009 S * 12/1991 Doggett D10/2
- D322,010 S * 12/1991 Doggett D10/2
- 5,557,998 A * 9/1996 Schwartz A21C 15/04
269/13

(Continued)

Primary Examiner — Caron D Veynar
Assistant Examiner — Mehri Bajoul
(74) *Attorney, Agent, or Firm* — Price Heneveld LLP

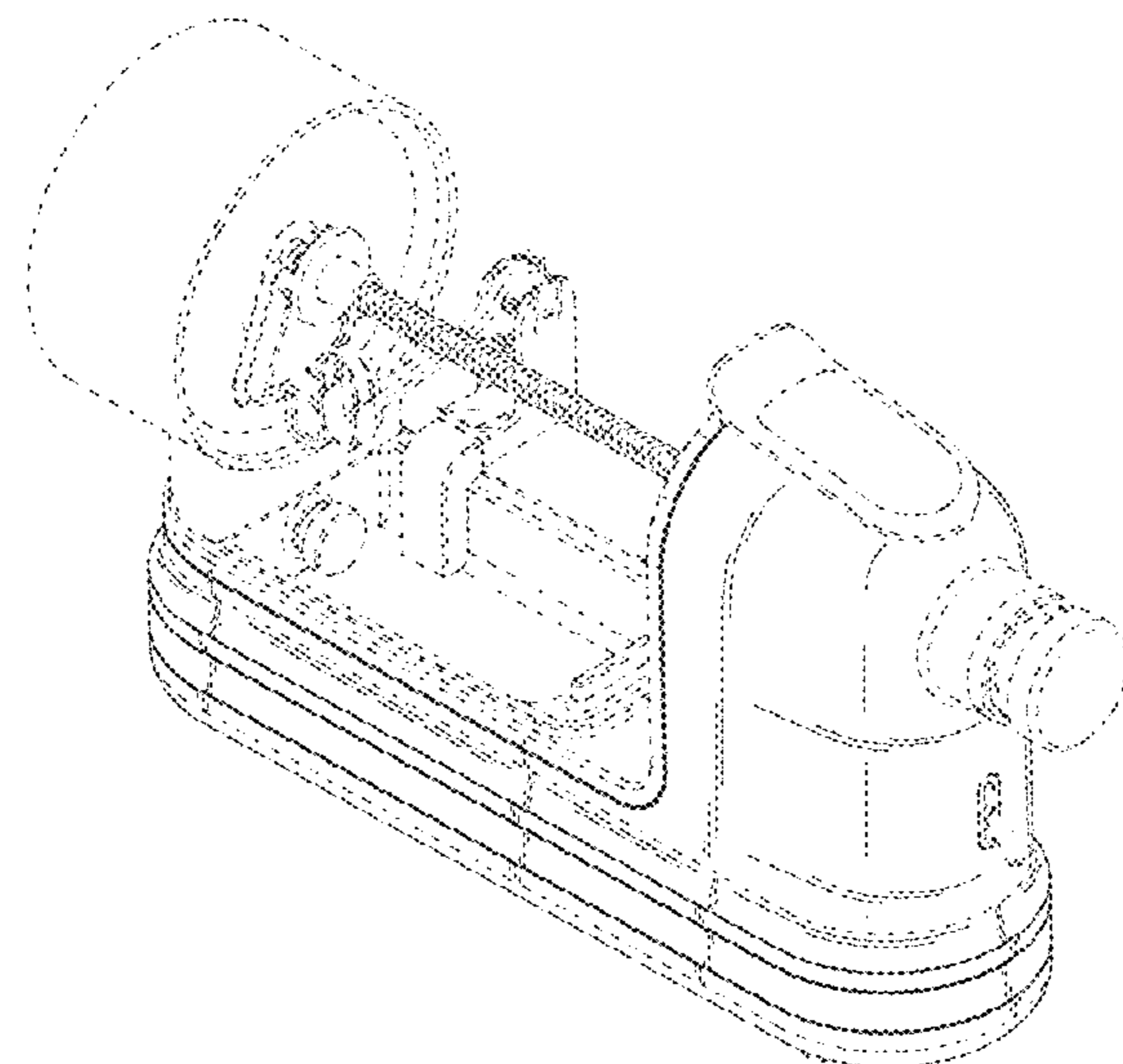
(57) **CLAIM**

We claim the ornamental design for a motorized spiralizer, as shown and described.

DESCRIPTION

FIG. 1 is a front perspective view of a motorized spiralizer of the present disclosure;
FIG. 2 is a rear perspective view of the motorized spiralizer of FIG. 1;
FIG. 3 is a first side elevational view of the motorized spiralizer of FIG. 1;
FIG. 4 is a second side elevational view of the motorized spiralizer of FIG. 1;
FIG. 5 is a rear elevational view of the motorized spiralizer of FIG. 1;
FIG. 6 is a front elevational view of the motorized spiralizer of FIG. 1.
FIG. 7 is a top plan view of the motorized spiralizer of FIG. 1; and,
FIG. 8 is a bottom plan view of the motorized spiralizer of FIG. 1.
The broken lines depict portions of the article that form no part of the claimed design.

1 Claim, 7 Drawing Sheets



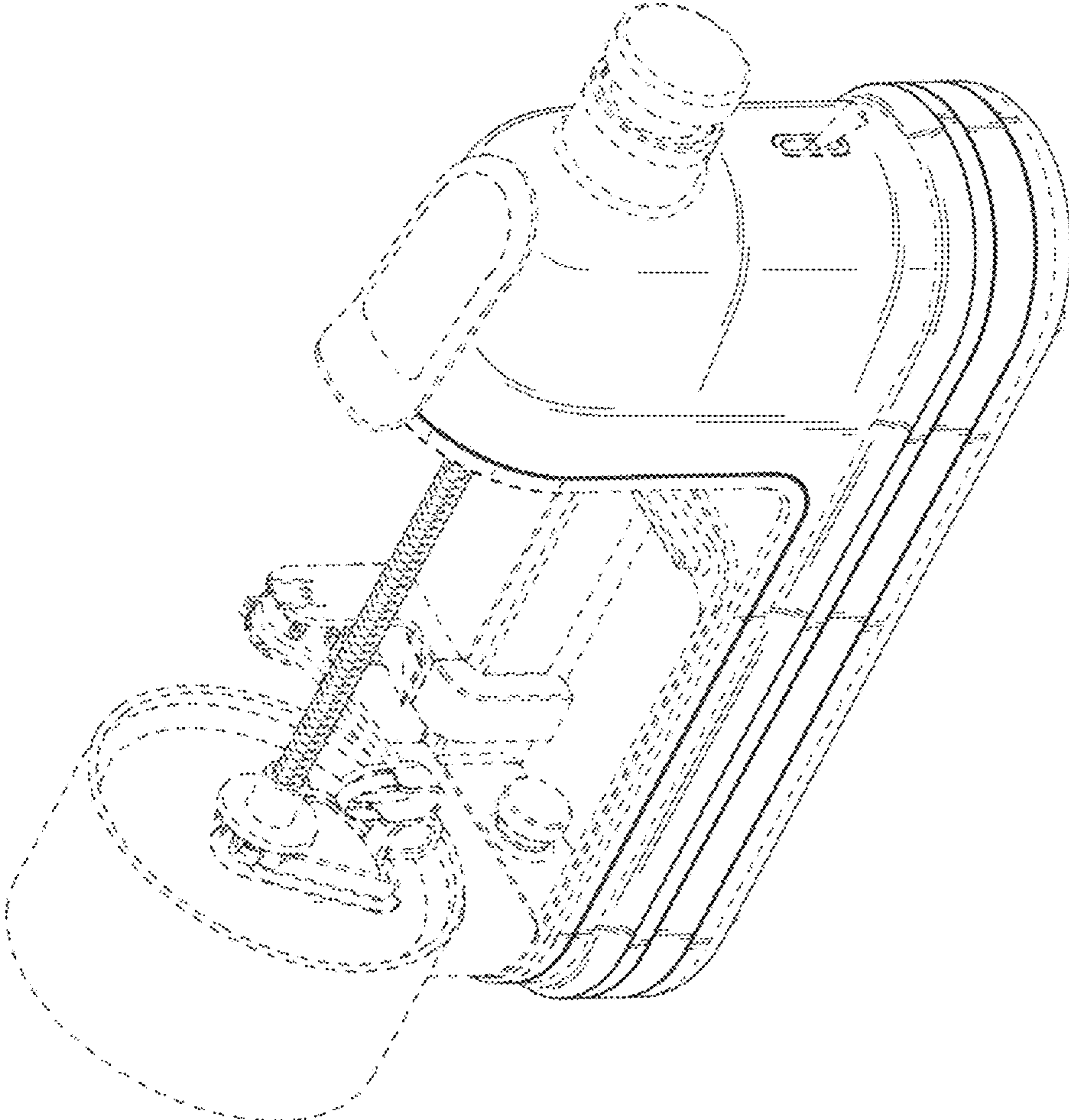


FIG. 1

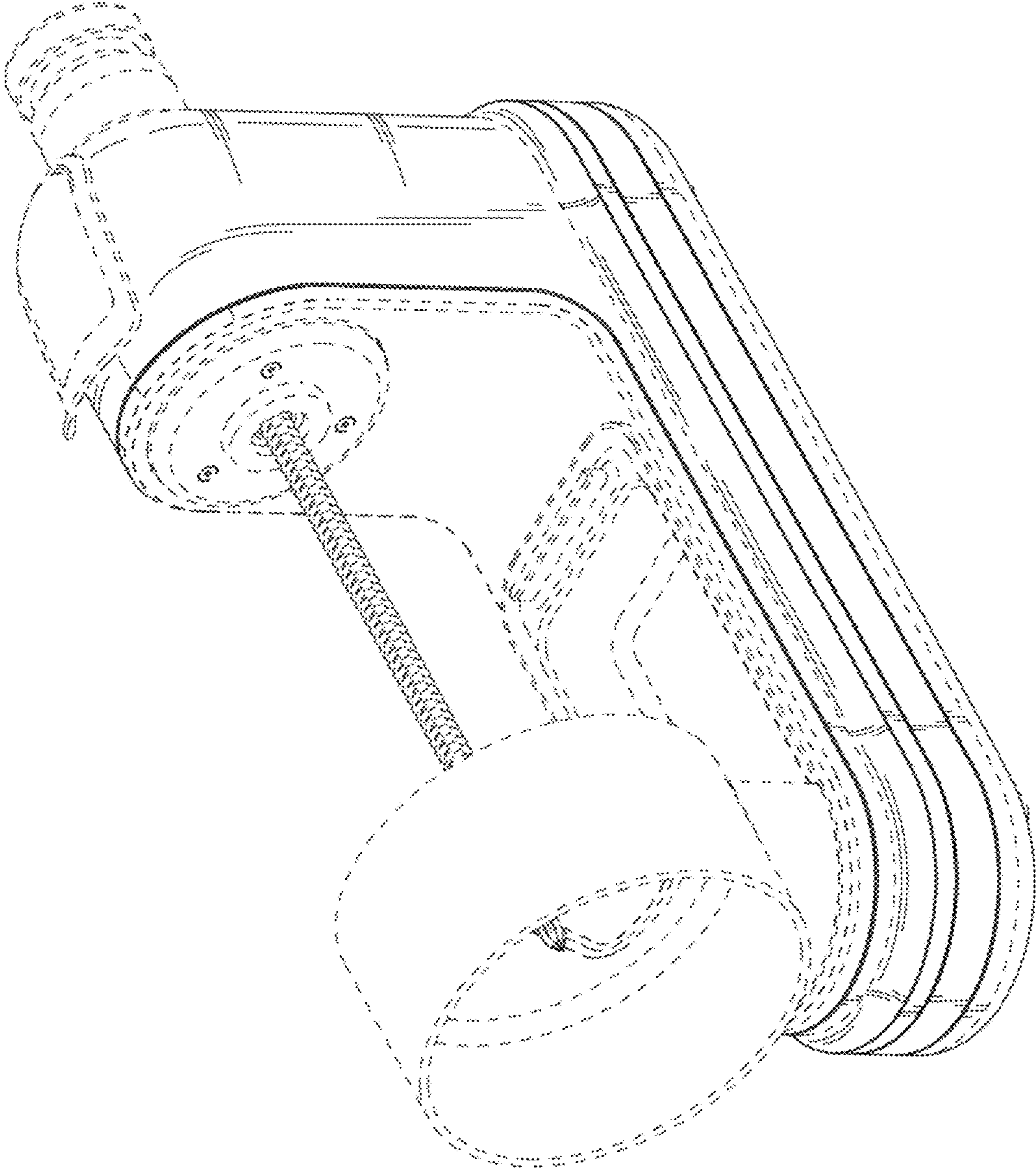


FIG. 2

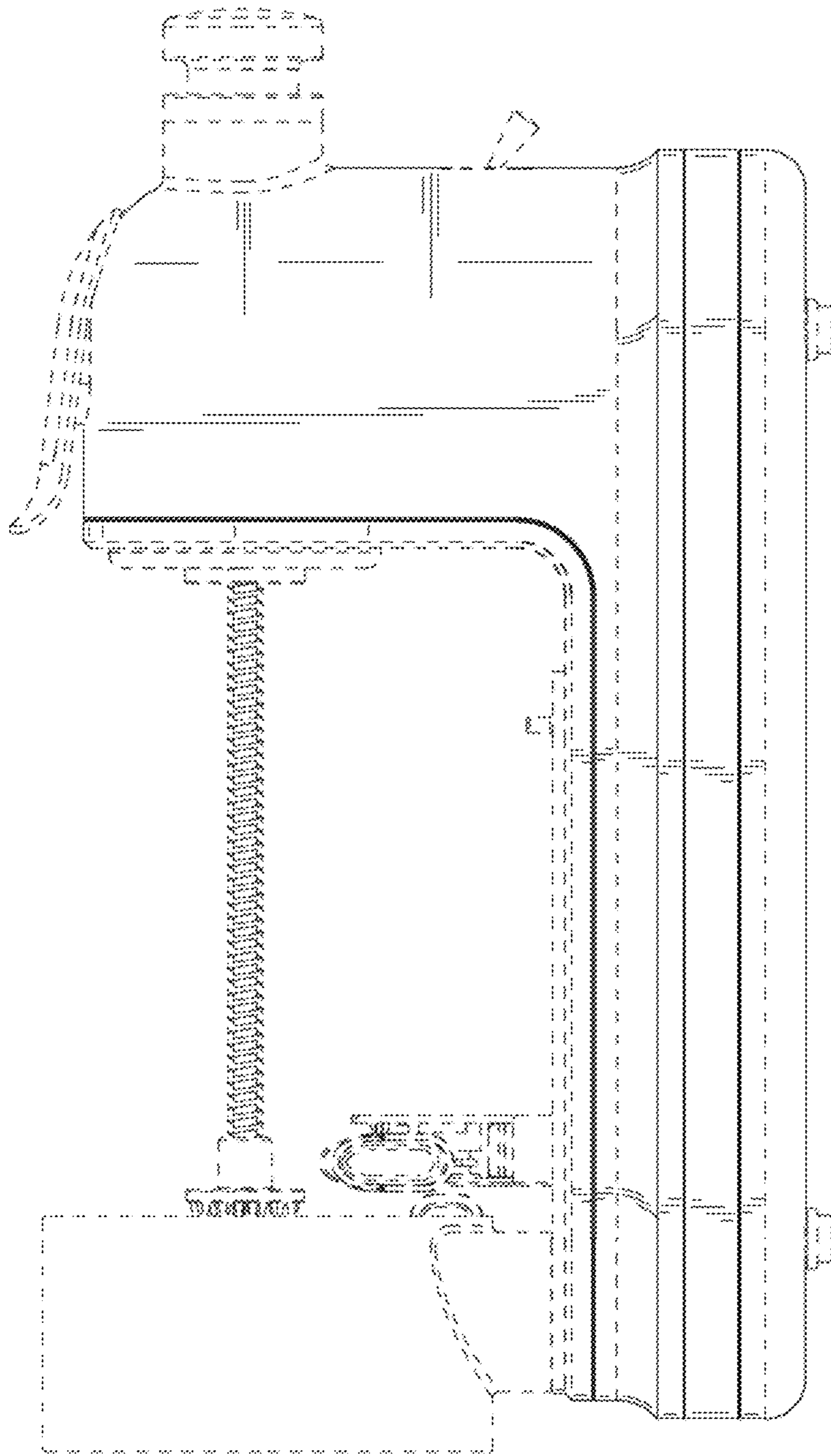


FIG. 3

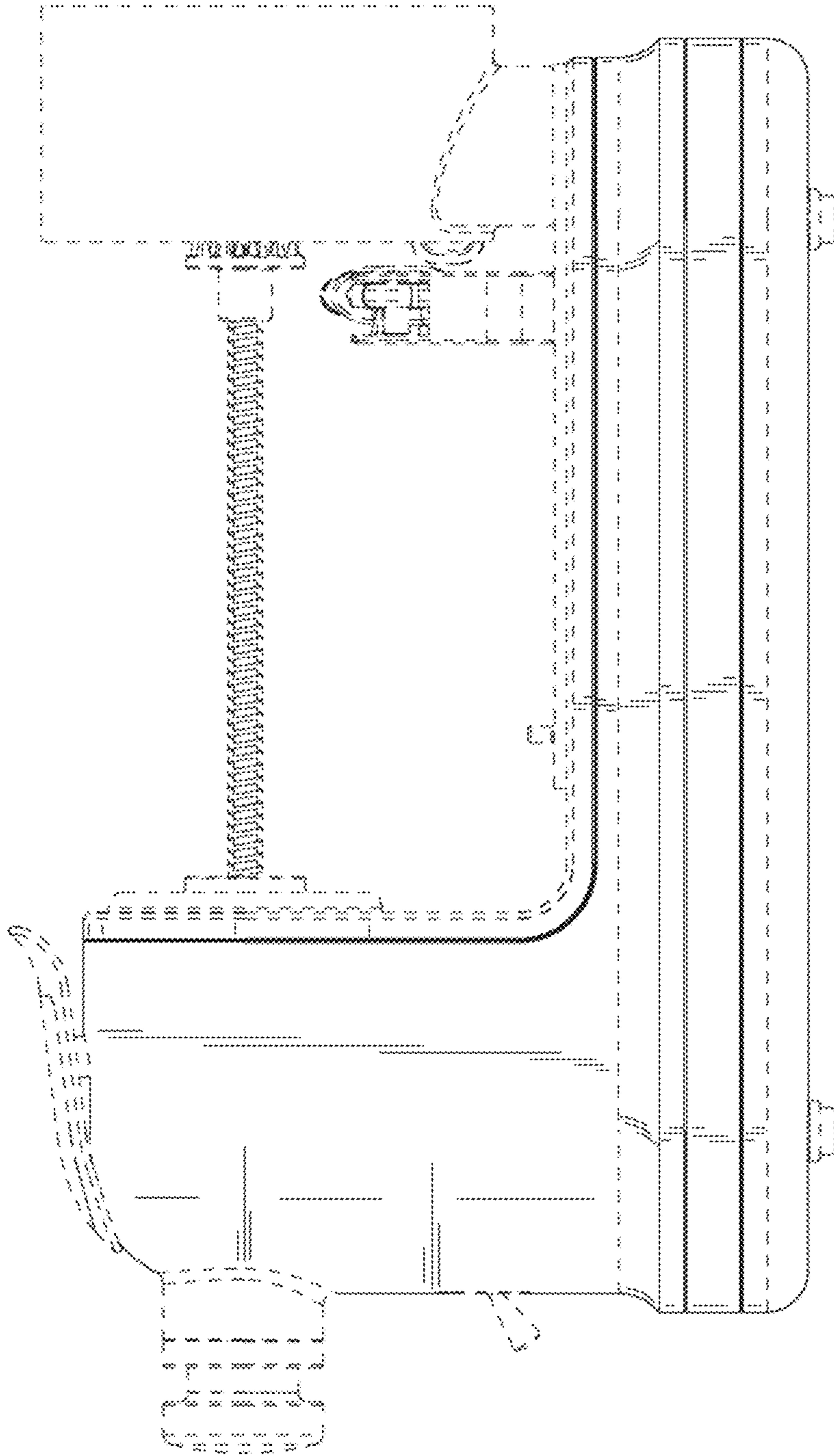


FIG. 4

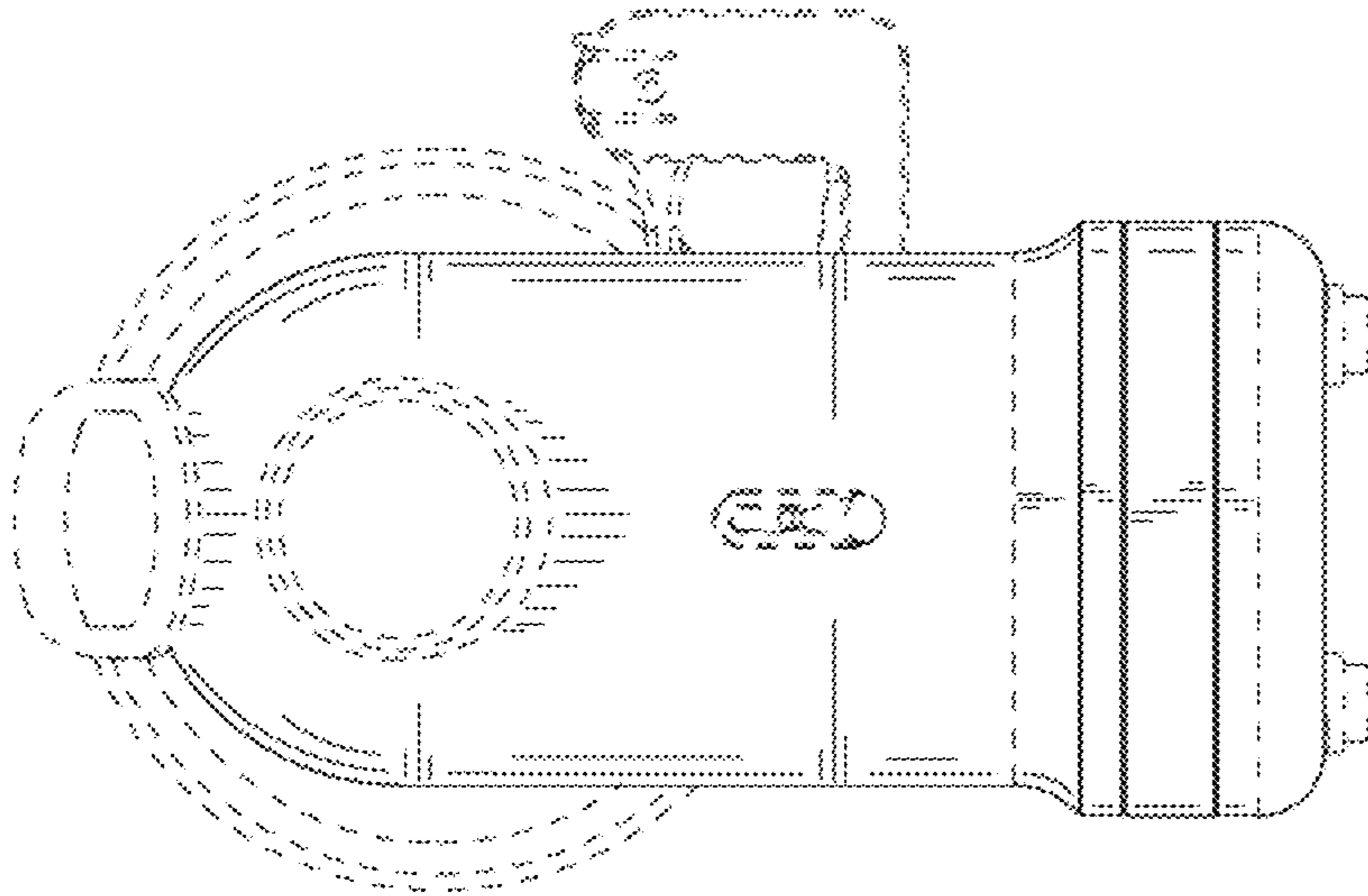


FIG. 5

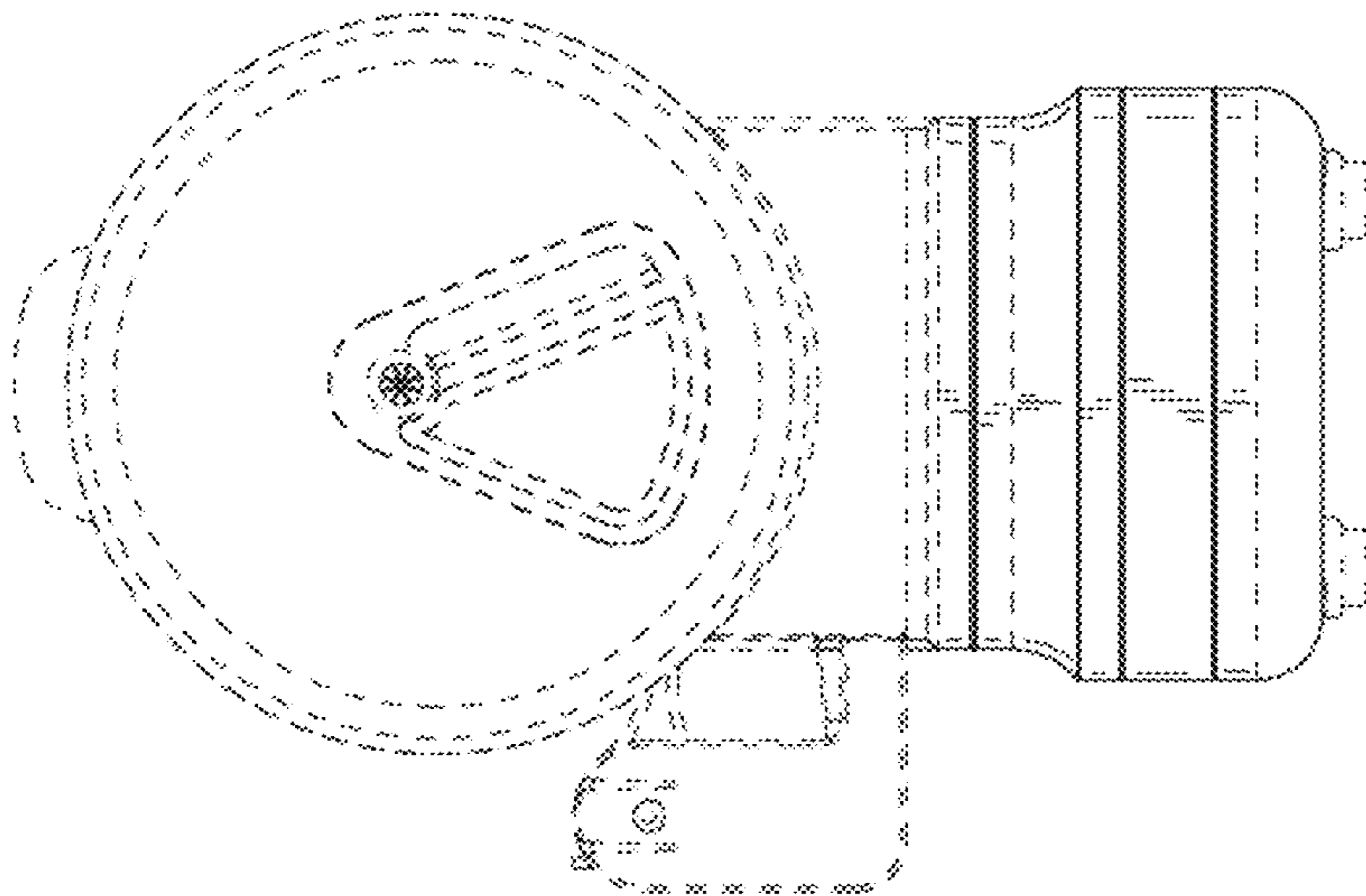


FIG. 6

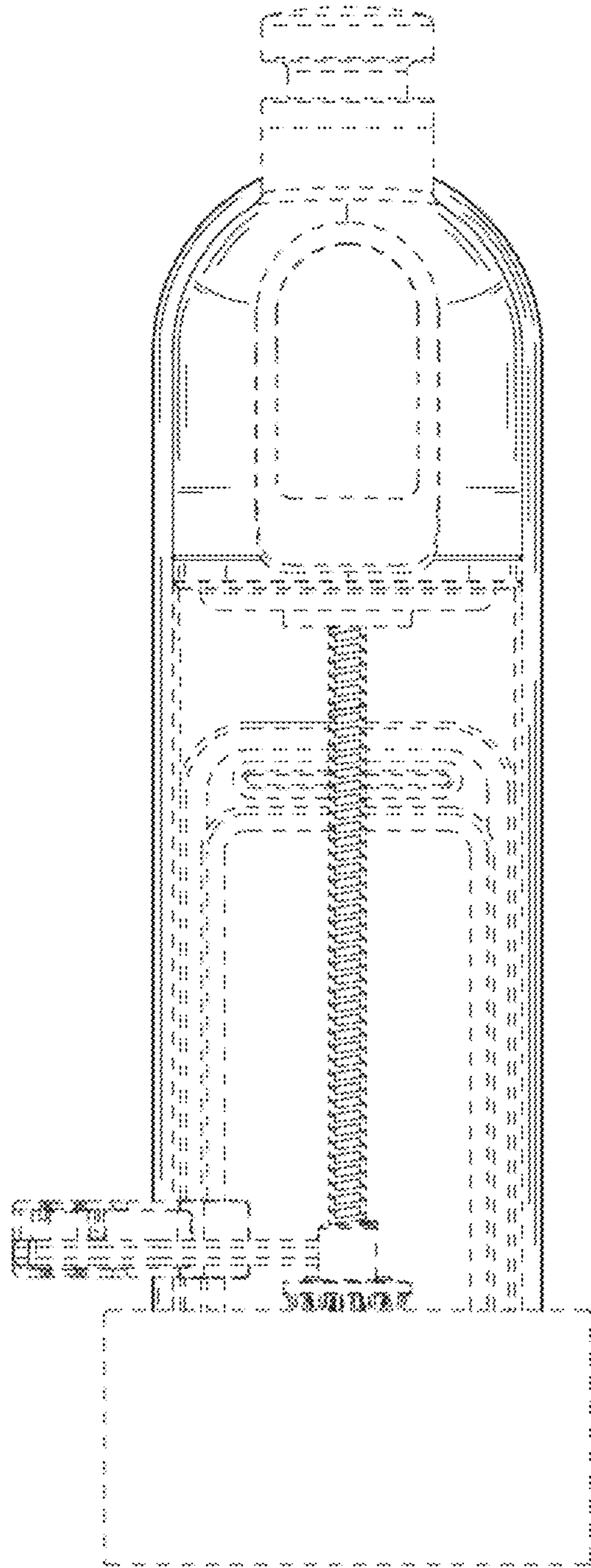


FIG. 7

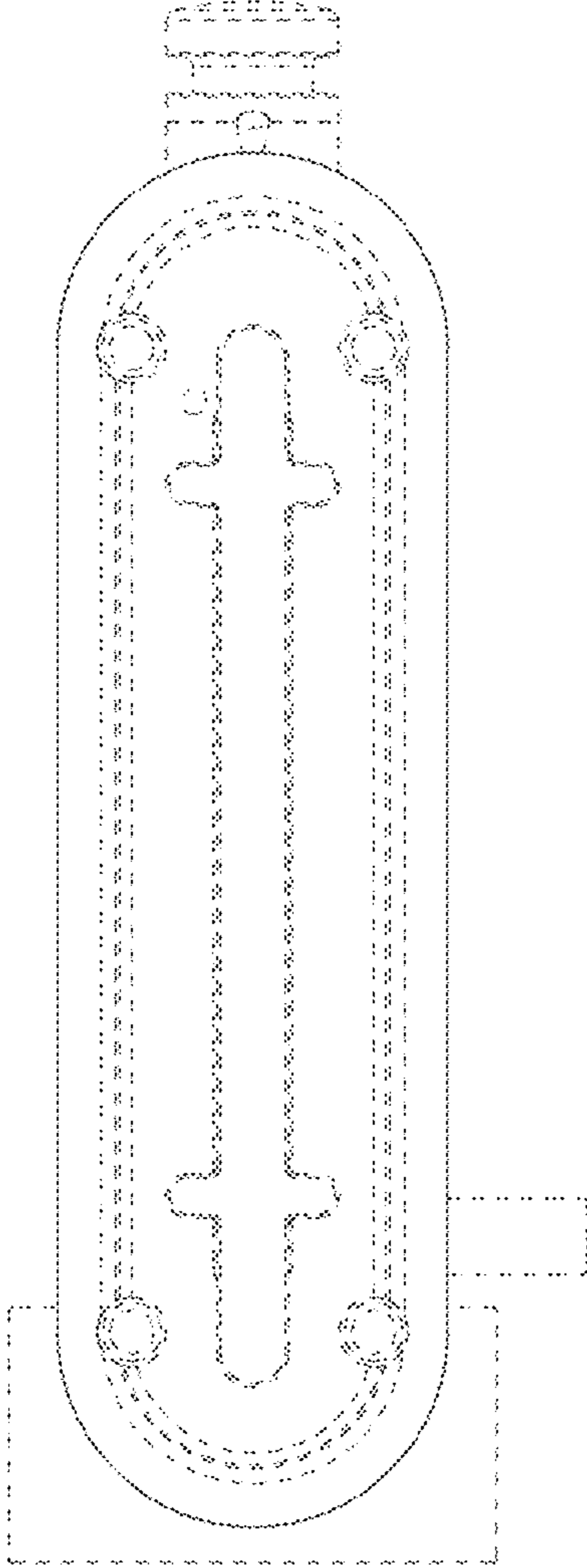


FIG. 8