



US00D797494S

(12) **United States Design Patent** (10) **Patent No.:** **US D797,494 S**
Mirchandani et al. (45) **Date of Patent:** **** Sep. 19, 2017**

(54) **ROUND PAN**

(71) Applicants: **TRISTAR PRODUCTS, INC.**,
Fairfield, NJ (US); **KE M.O. HOUSE**
CO., LTD., Shenzhen (CN)

(72) Inventors: **Keith Mirchandani**, Fairfield, NJ (US);
Mo-Tsan Tsai, Shenzhen (CN)

(73) Assignee: **Tristar Products, Inc.**, Fairfield, NJ
(US)

(**) Term: **15 Years**

(21) Appl. No.: **29/592,312**

(22) Filed: **Jan. 30, 2017**

Related U.S. Application Data

(60) Division of application No. 29/565,032, filed on May 17, 2016, now Pat. No. Des. 777,506, which is a continuation-in-part of application No. 29/547,842, filed on Dec. 8, 2015.

(30) **Foreign Application Priority Data**

Dec. 1, 2015 (CN) 2015 3 0493868

(51) **LOC (10) Cl.** **07-02**

(52) **U.S. Cl.**
USPC **D7/361**; D7/354; D7/360

(58) **Field of Classification Search**
USPC D7/323, 354-363, 391, 393-396, 402,
D7/409

CPC A47G 19/12; A47J 27/00; A47J 27/002;
A47J 27/08; A47J 27/022; A47J 27/21;
A47J 27/58; A47J 36/025; A47J 36/06;
A47J 36/12; A47J 37/00; A47J 37/10;
A47J 37/101; A47J 37/103; A47J 37/12;
A47J 37/1204; A47J 45/061; A47J
45/071; A47J 45/08; H05B 6/12

See application file for complete search history.

(56) **References Cited**

U.S. PATENT DOCUMENTS

2,085,220 A * 6/1937 Howlett A47J 27/022
126/390.1

D263,670 S 4/1982 Schawalder
4,926,843 A 5/1990 Vocke et al.
D338,370 S 8/1993 Takeda

(Continued)

FOREIGN PATENT DOCUMENTS

CN 300743744 2/2008
CN 301355624 9/2010

(Continued)

Primary Examiner — Ricky Pham

(74) *Attorney, Agent, or Firm* — Adler Pollock &
Sheehan P.C.; Daniel J. Holmander

(57) **CLAIM**

The ornamental design for a round pan, as shown and described.

DESCRIPTION

FIG. 1 is a perspective view of a round pan in accordance with the subject disclosure.

FIG. 2 is a front view of the round pan seen in FIG. 1.

FIG. 3 is a rear view of the round pan seen in FIG. 1.

FIG. 4 is a right side view of the round pan seen in FIG. 1.

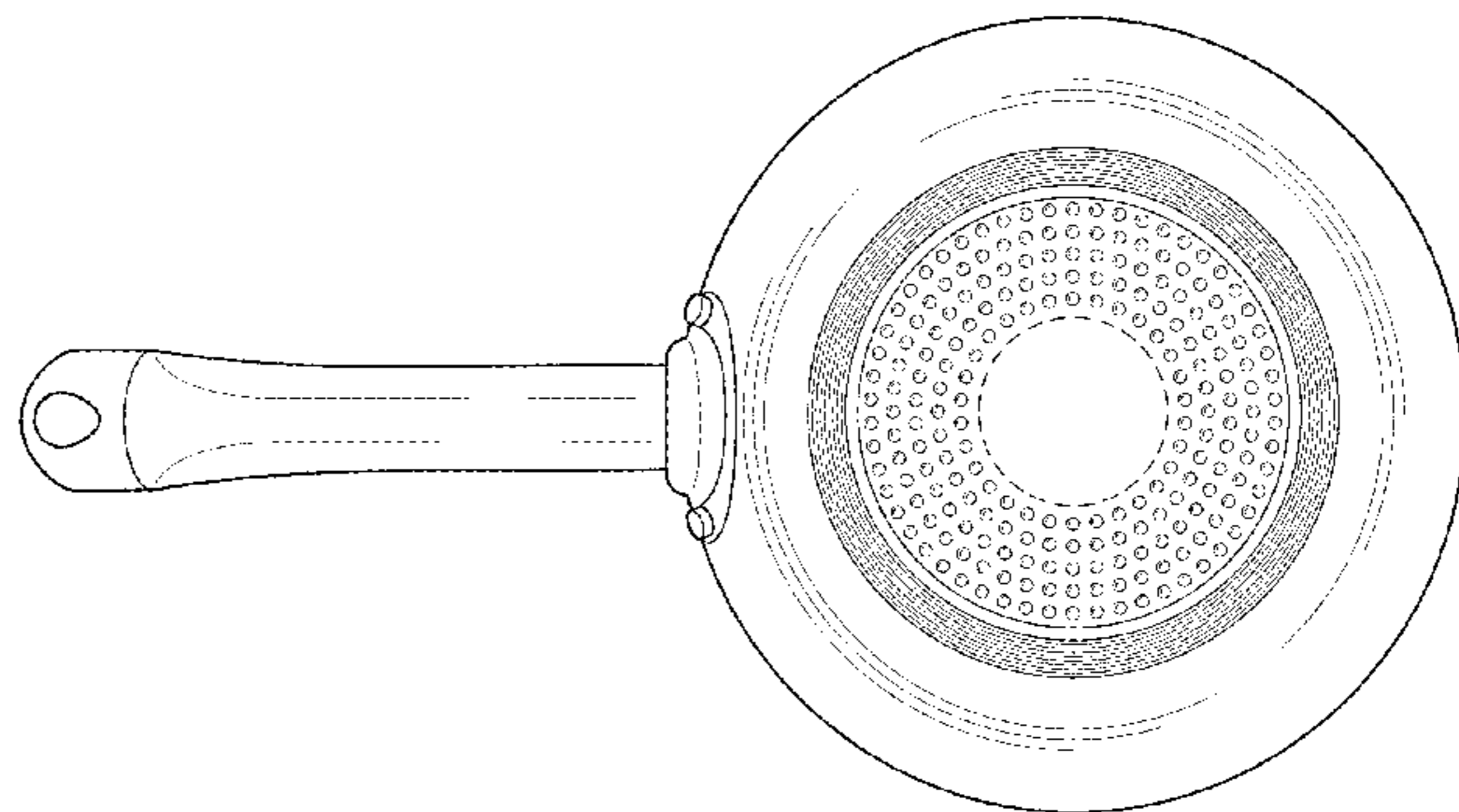
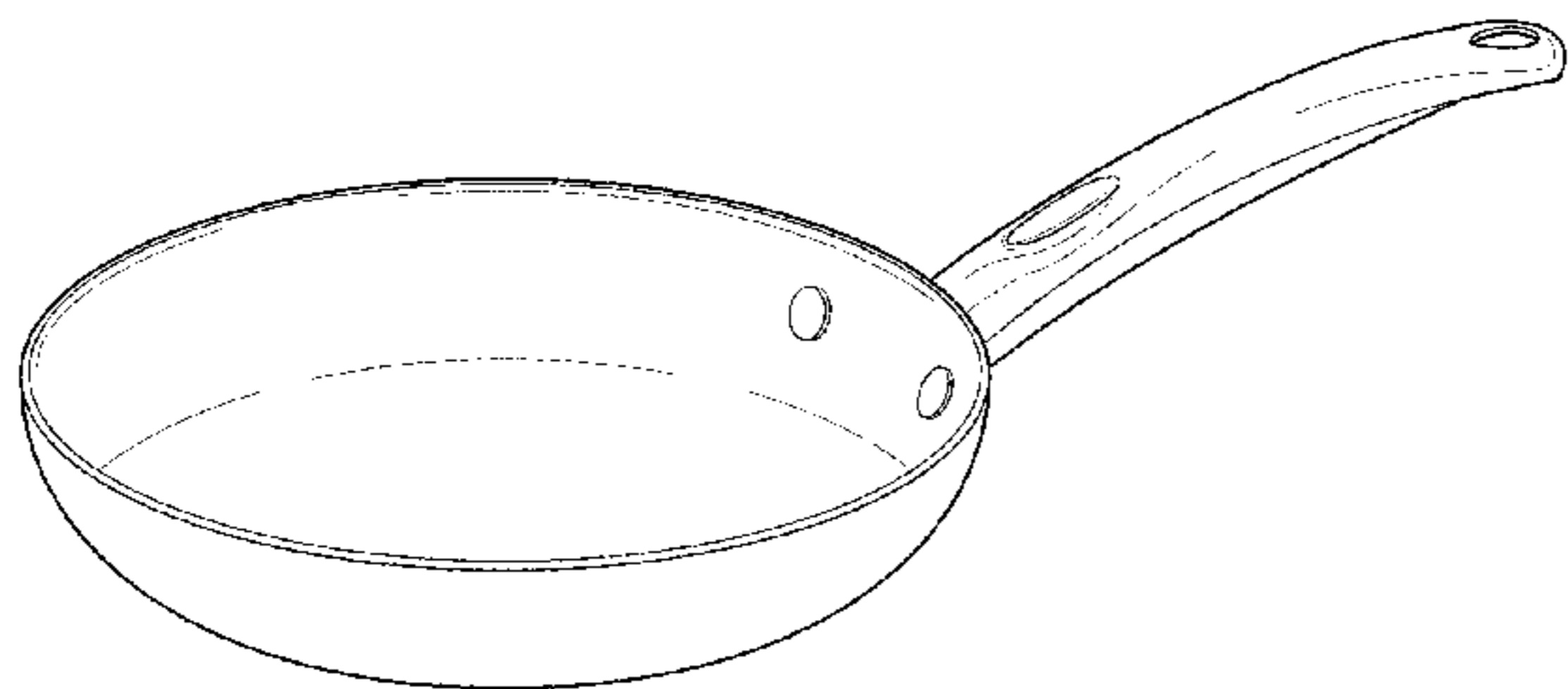
FIG. 5 is a left side view of the round pan seen in FIG. 1.

FIG. 6 is a top view of the round pan seen in FIG. 1.

FIG. 7 is a bottom view of the round pan seen in FIG. 1; and,

FIG. 8 is a bottom view of another embodiment of the round pan in accordance with the subject disclosure in which the perspective, front, rear, side and top views would be the same as shown in FIGS. 1-6.

1 Claim, 8 Drawing Sheets



(56)

References Cited

U.S. PATENT DOCUMENTS

5,323,693 A 6/1994 Collard et al.
 5,396,834 A 3/1995 Gambini
 5,497,696 A 3/1996 Coudurier et al.
 D373,286 S 9/1996 Antonio
 D373,287 S 9/1996 Antonio
 D374,149 S 10/1996 Candianides
 D377,438 S 1/1997 Brunianyn
 D377,883 S * 2/1997 Candianides D7/361
 D392,152 S 3/1998 Rae
 D392,840 S * 3/1998 Rae D7/354
 D414,981 S 10/1999 Roskind et al.
 D458,798 S 6/2002 Kellermann
 D467,462 S 12/2002 Teisen-Simony et al.
 D470,716 S 2/2003 Kloppsteck
 D482,563 S * 11/2003 Candianides D7/361
 D499,930 S * 12/2004 Bodum D7/361
 D544,294 S * 6/2007 Lee D7/354
 D549,041 S 8/2007 Kellermann et al.
 D555,418 S 11/2007 Cheng
 D562,060 S 2/2008 Kloppsteck
 7,415,922 B2 8/2008 Cheng
 D579,715 S * 11/2008 Pawson D7/361
 D581,721 S 12/2008 Rae
 D589,741 S 4/2009 Gerlach
 D594,270 S * 6/2009 Rae D7/354
 D614,445 S 4/2010 Ferron et al.
 D618,505 S 6/2010 Rae
 D627,193 S 11/2010 Marin
 D631,281 S 1/2011 Bodum
 D639,602 S 6/2011 Bodum
 D662,775 S 7/2012 Moulin
 D663,582 S 7/2012 Moulin

D664,000 S 7/2012 Moulin
 D669,730 S 10/2012 Mandil
 D672,604 S 12/2012 Upston et al.
 D675,863 S * 2/2013 Zucchi D7/354
 D682,012 S 5/2013 Lin
 D682,013 S 5/2013 Huang
 D685,222 S 7/2013 Dang
 D693,627 S 11/2013 Moon et al.
 D696,059 S 12/2013 Bourbeau
 D696,060 S 12/2013 Schleinzer
 D712,194 S 9/2014 Thonis
 D732,335 S 6/2015 Thonis
 D751,334 S 3/2016 Pan
 D752,912 S 4/2016 Venot et al.
 D777,506 S * 1/2017 Mirchandani D7/354
 D778,103 S * 2/2017 Mirchandani D7/354
 D783,338 S * 4/2017 Mirchandani D7/354
 D784,076 S * 4/2017 Constantieux D7/402
 2005/0211106 A1 9/2005 Dierkes
 2008/0035139 A1 2/2008 Marin
 2015/0001226 A1 1/2015 Groll

FOREIGN PATENT DOCUMENTS

CN 302846862 6/2014
 CN 303503839 12/2015
 EM 001112353-0001 5/2009
 EM 001171466-0002 10/2009
 EM 001610098-0001 10/2009
 EM 001320717-0001 4/2012
 EM 002445940-0025 4/2014
 HK 1002396.2 6/2010
 JP 1534683 S 10/2015

* cited by examiner

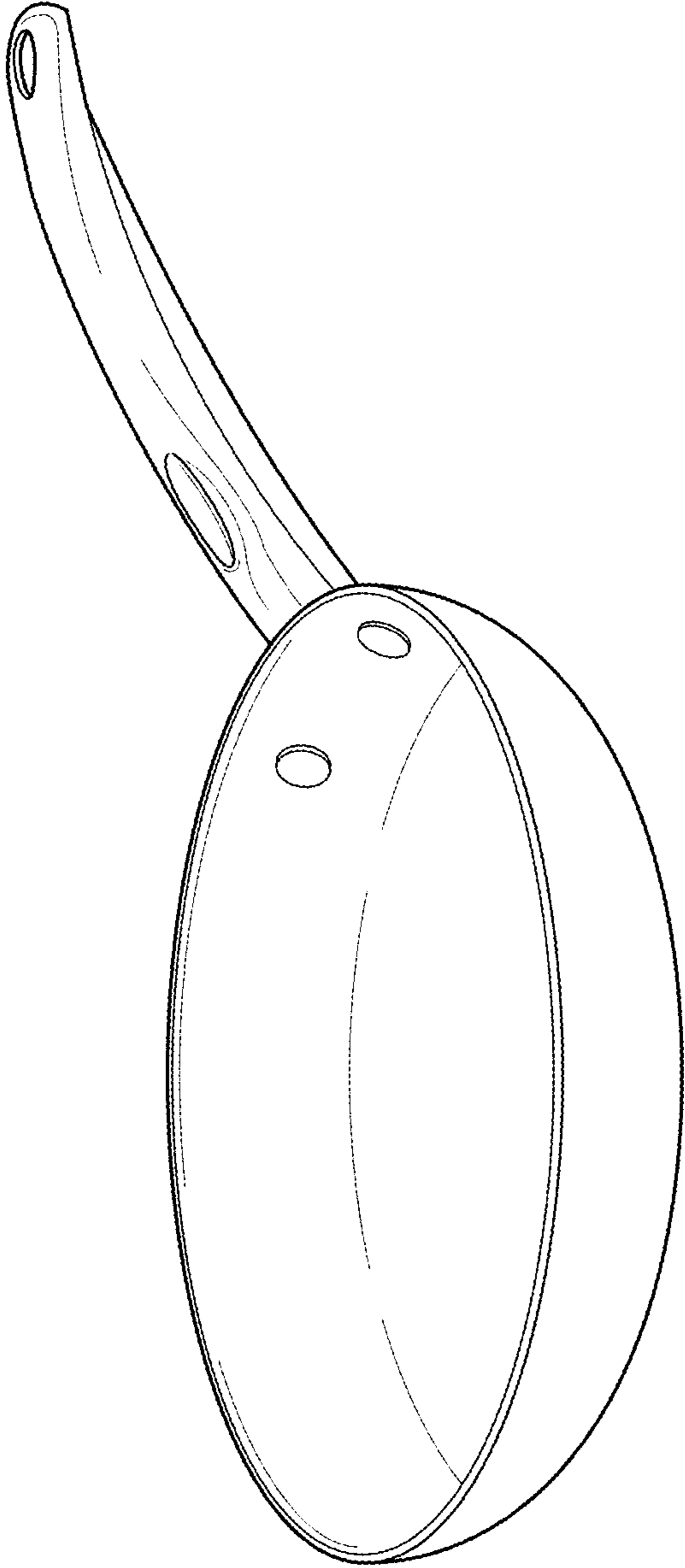


Fig. 1

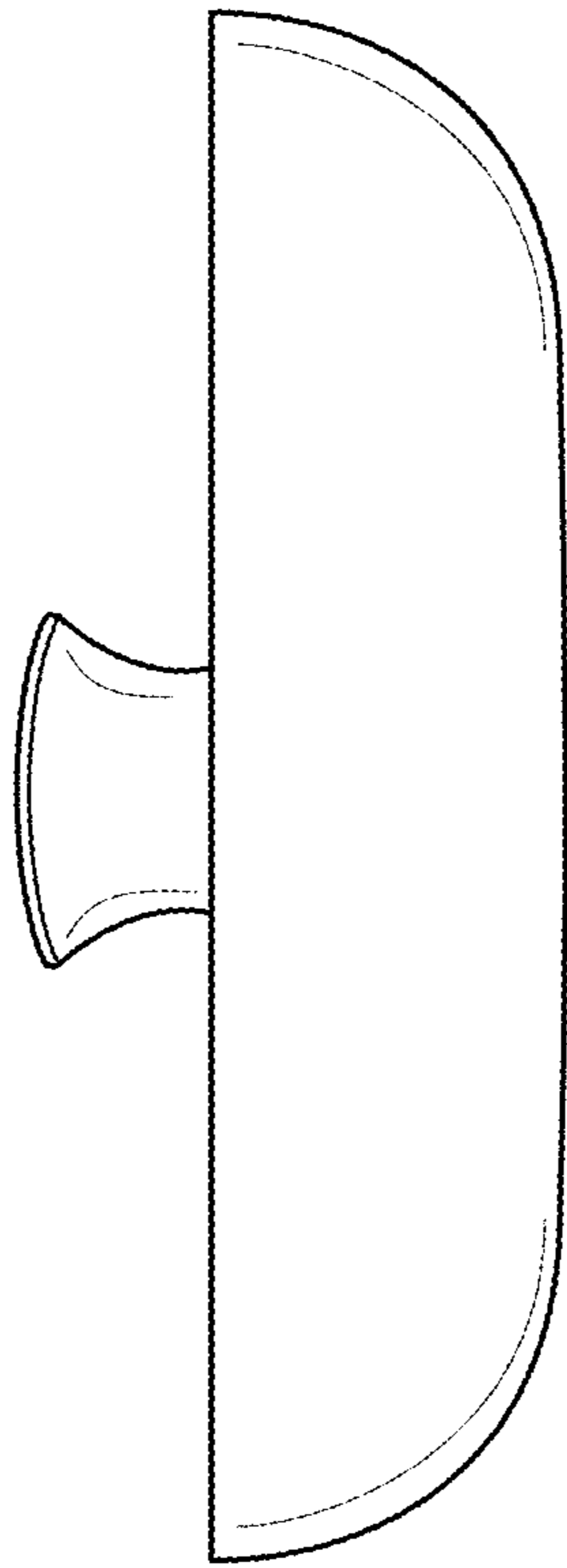


Fig. 2

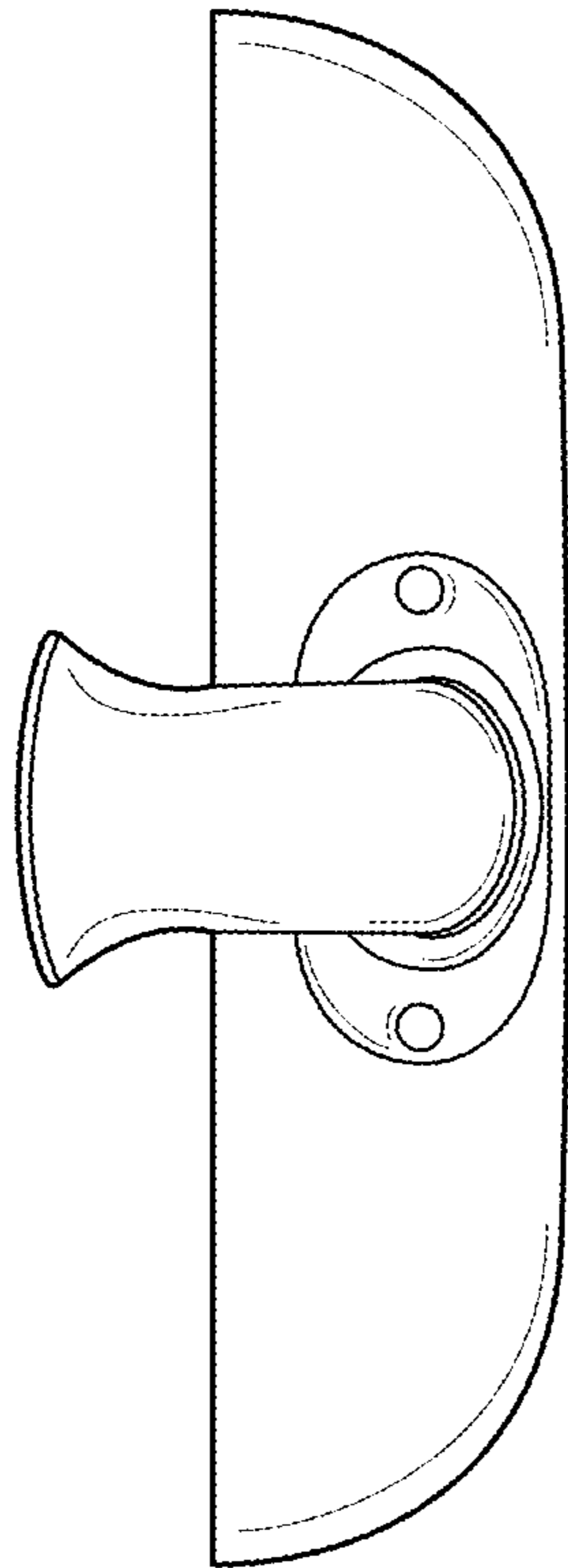


Fig. 3

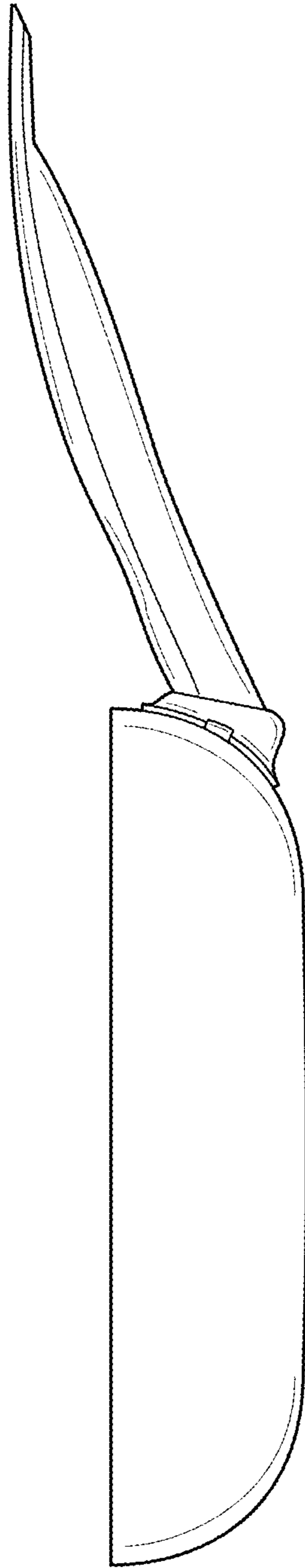


Fig. 4

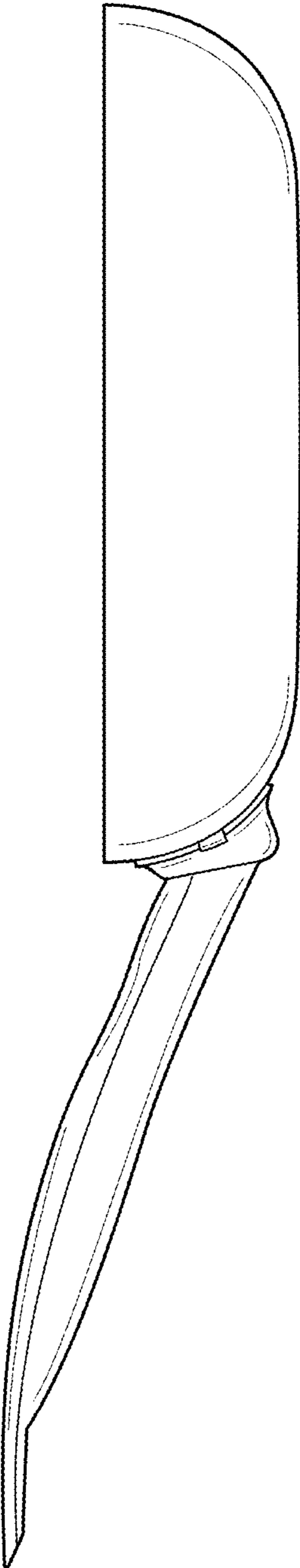


Fig. 5

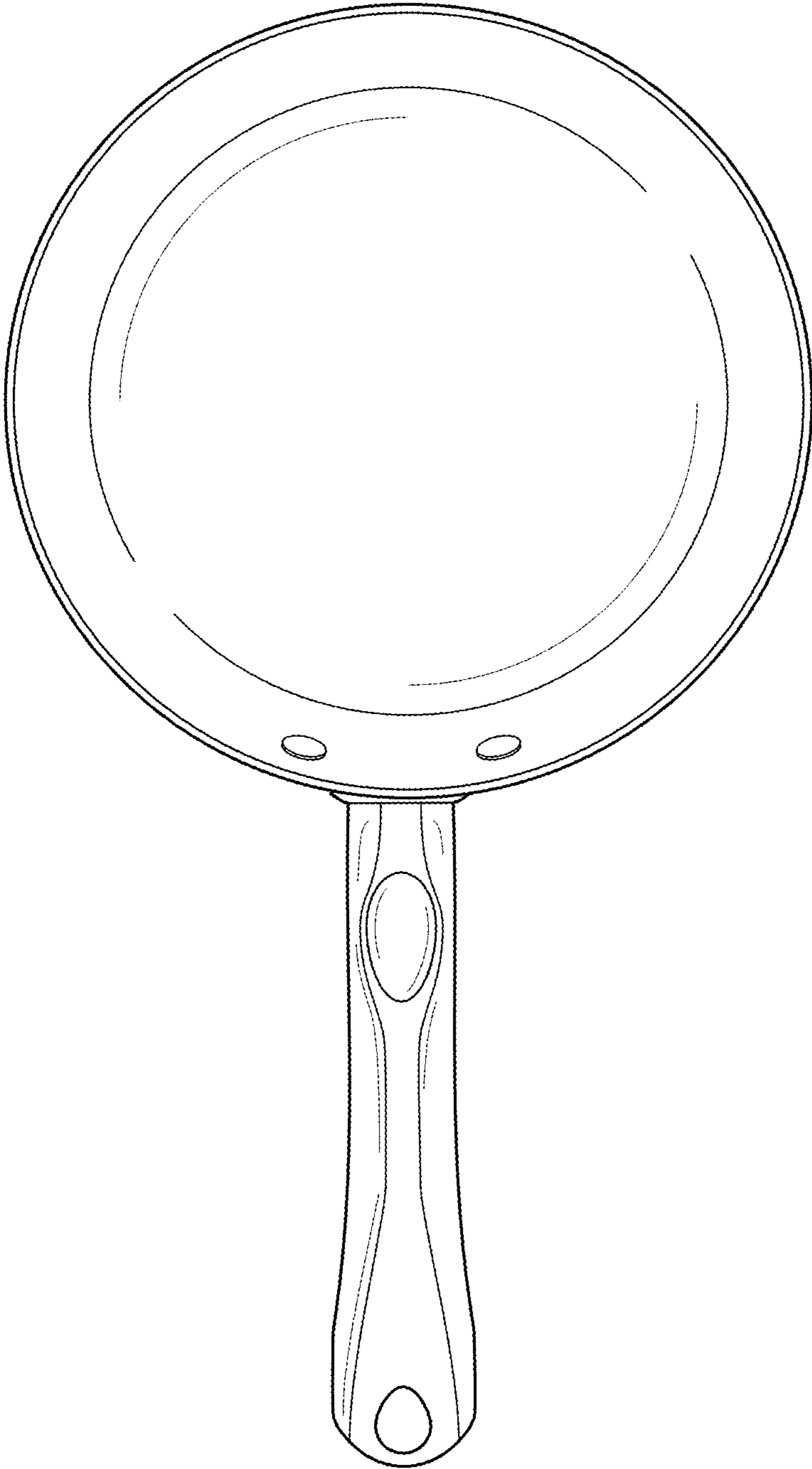


Fig. 6

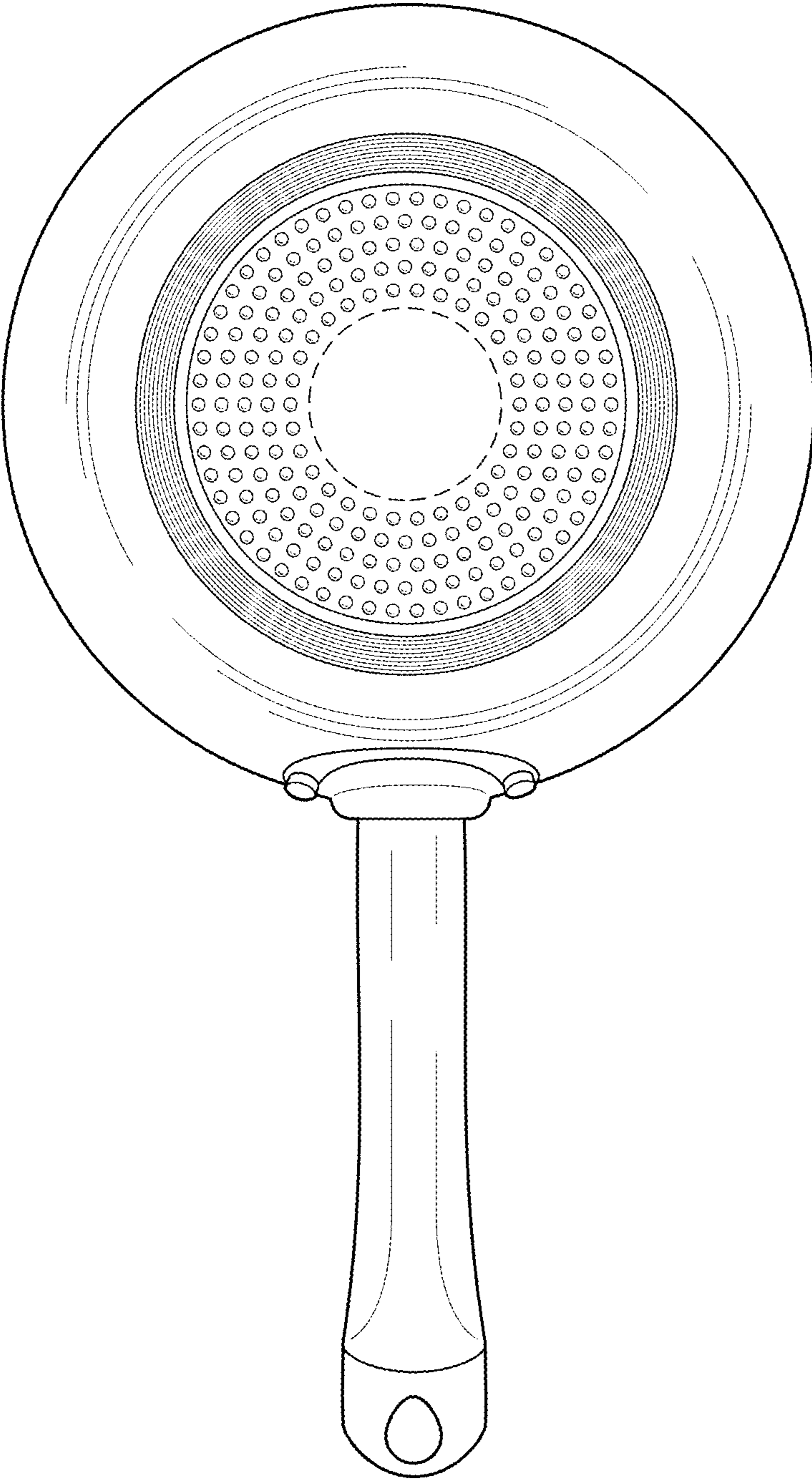


Fig. 7

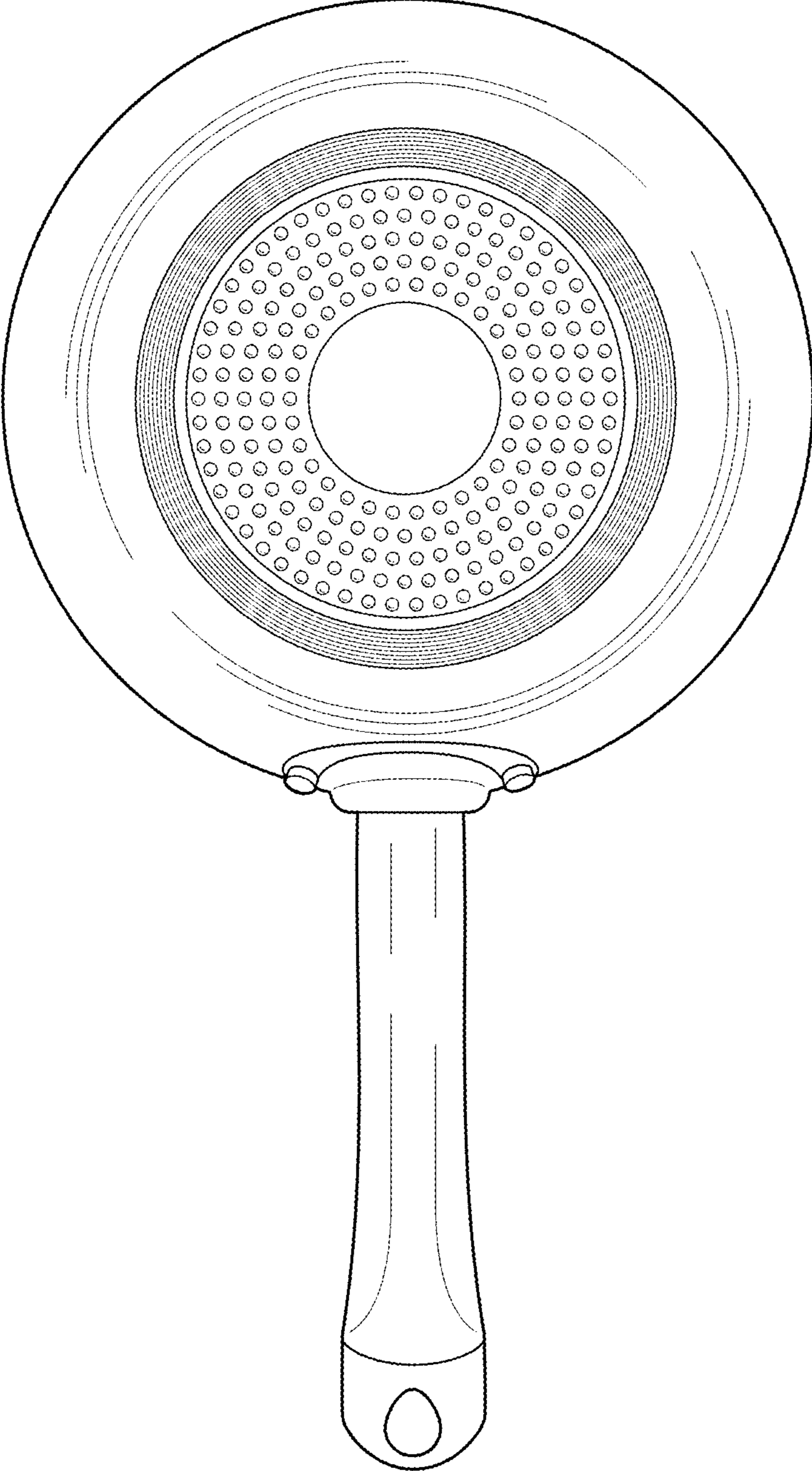


Fig. 8