



US00D797493S

(12) **United States Design Patent**  
**Freeman**

(10) **Patent No.:** **US D797,493 S**  
(45) **Date of Patent:** **\*\* Sep. 19, 2017**

(54) **PAN WITH TWO HANDLED HAND GRIP**

3,713,380 A *	1/1973	Bardin .....	A47J 37/10
			99/422
D226,838 S *	5/1973	Ruskin .....	D30/129
D245,059 S *	7/1977	Bardin .....	D7/361
D248,722 S *	8/1978	Tsuji .....	D7/352
D363,002 S *	10/1995	Douglas .....	D7/354
D387,177 S *	12/1997	Davis .....	D24/227
D434,265 S *	11/2000	Tatlow .....	D7/323
D543,773 S *	6/2007	Reckert	
D555,419 S *	11/2007	Reckert .....	D7/361
D657,992 S *	4/2012	Moodie .....	D7/354
D696,057 S *	12/2013	Green .....	D7/354
D752,864 S *	4/2016	Levie .....	D3/304

(71) Applicant: **CAMBRO MANUFACTURING COMPANY**, Huntington Beach, CA (US)

(72) Inventor: **Ernest F. Freeman**, Garden Grove, CA (US)

(73) Assignee: **CAMBRO Mfg. Co.**, Huntington Beach, CA (US)

(\*\*) Term: **15 Years**

\* cited by examiner

(21) Appl. No.: **29/573,021**

*Primary Examiner* — Ricky Pham

(22) Filed: **Aug. 2, 2016**

(74) *Attorney, Agent, or Firm* — George F. Bethel

(51) **LOC (10) Cl.** ..... **07-02**

(52) **U.S. Cl.**  
USPC ..... **D7/360**; D7/354; D7/361

(57) **CLAIM**

(58) **Field of Classification Search**  
USPC ..... D3/304; D7/323, 352–361, 543, 545, D7/549, 550.1, 553.1–553.8, 554.1–554.4, D7/555, 584, 586; D9/430–433, D9/455–456, 737, 756–762; D24/227; D30/129

I claim the ornamental design for a pan with two handled hand grip, as shown and described.

CPC .... A21B 3/00; A21B 3/13; A21B 3/15; A21B 3/134; A21B 5/00; A21B 5/02; A47J 36/022; A47J 36/025; A47J 36/027; A47J 37/00; A47J 37/04; A47J 37/10; B65D 1/22; B65D 1/24; B65D 1/34; B65D 1/36; B65D 81/343; B65D 85/36  
See application file for complete search history.

**DESCRIPTION**

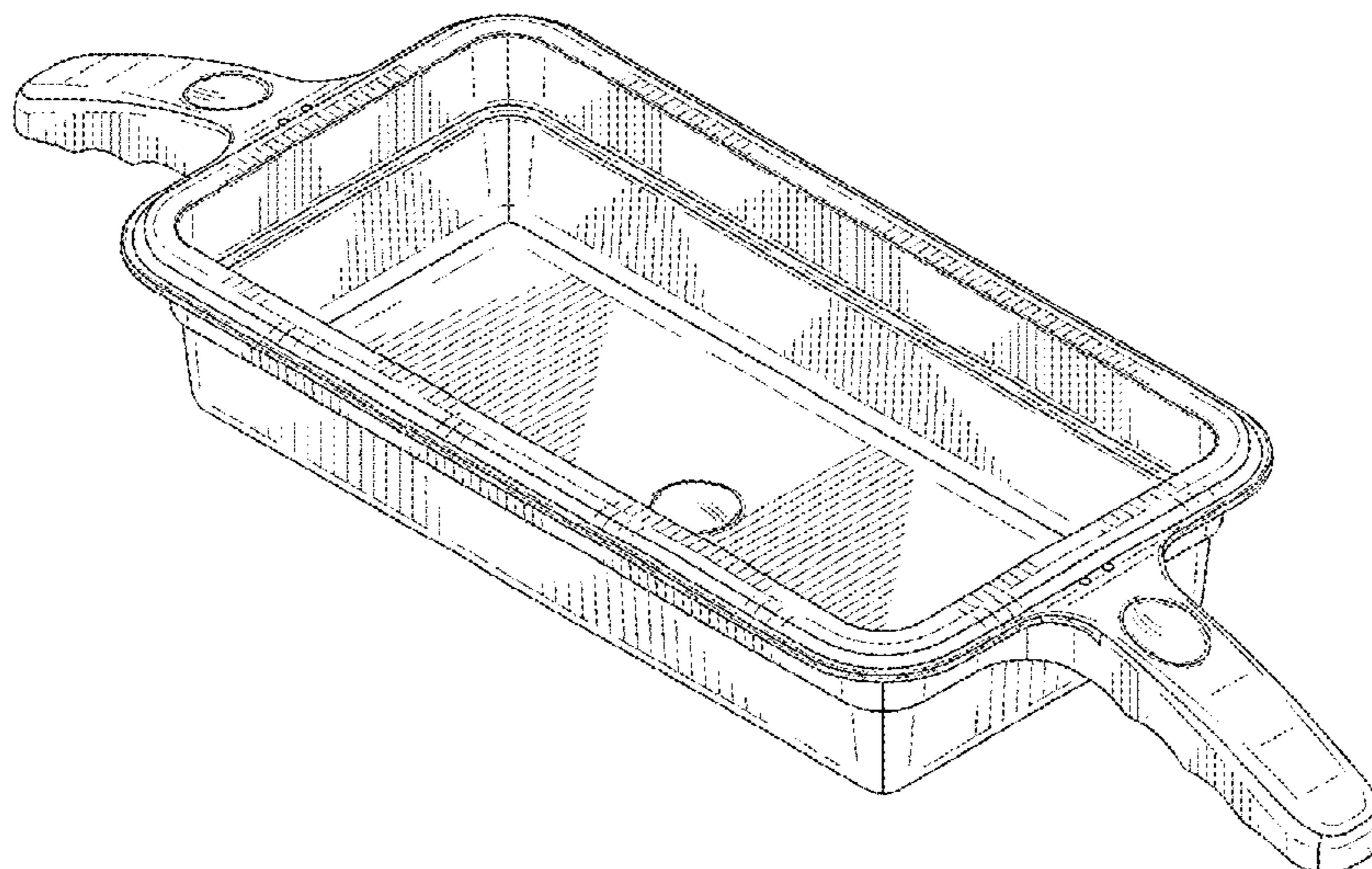
FIG. 1 is a perspective view of the pan with two handled hand grip.  
FIG. 2 is a left side elevation view.  
FIG. 3 is a right side elevation view.  
FIG. 4 is a front elevation view.  
FIG. 5 is a rear elevation view.  
FIG. 6 is a top plan view; and,  
FIG. 7 is a bottom plan view of the pan with two handled hand grip.

(56) **References Cited**

U.S. PATENT DOCUMENTS

1,904,925 A *	4/1933	Perks .....	A47J 37/10
			126/215
D181,246 S *	10/1957	Boldt .....	D7/361

**1 Claim, 5 Drawing Sheets**



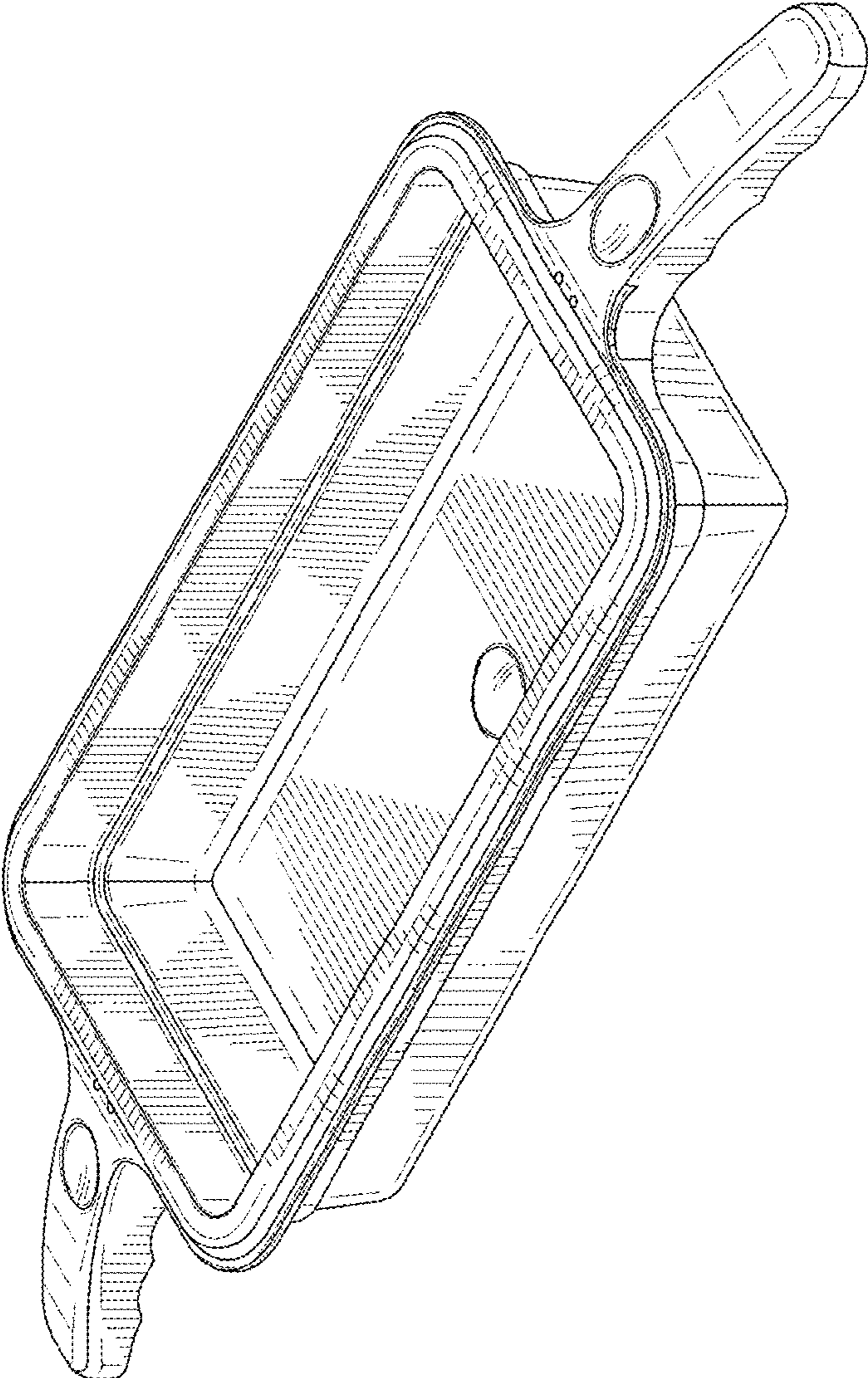


FIG. 1

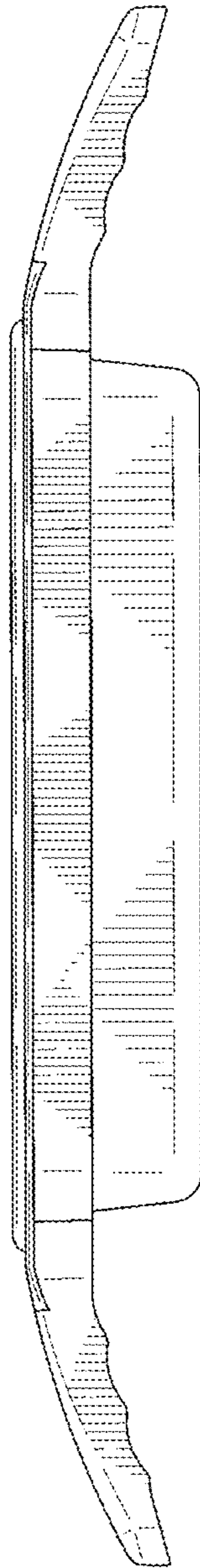


FIG. 2

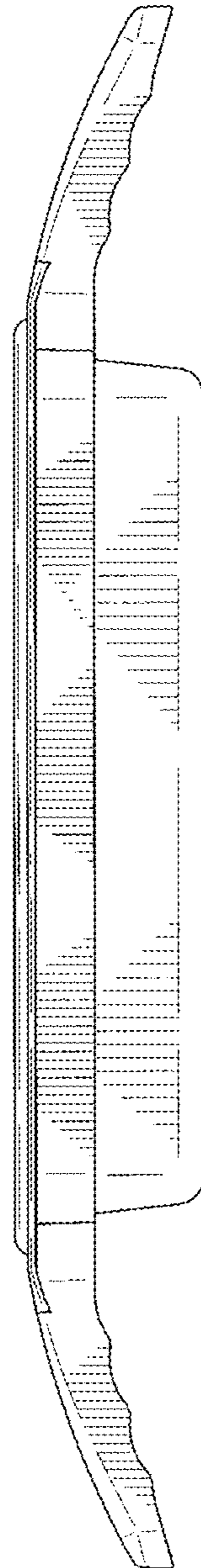
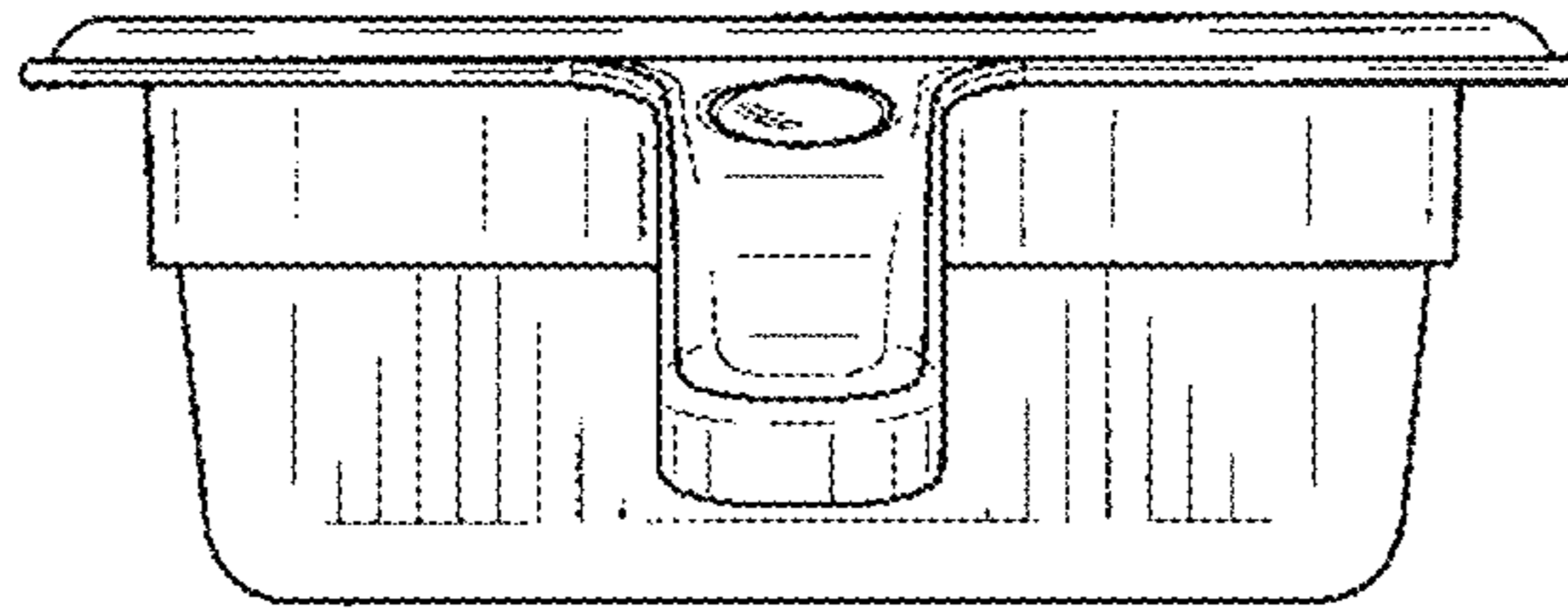
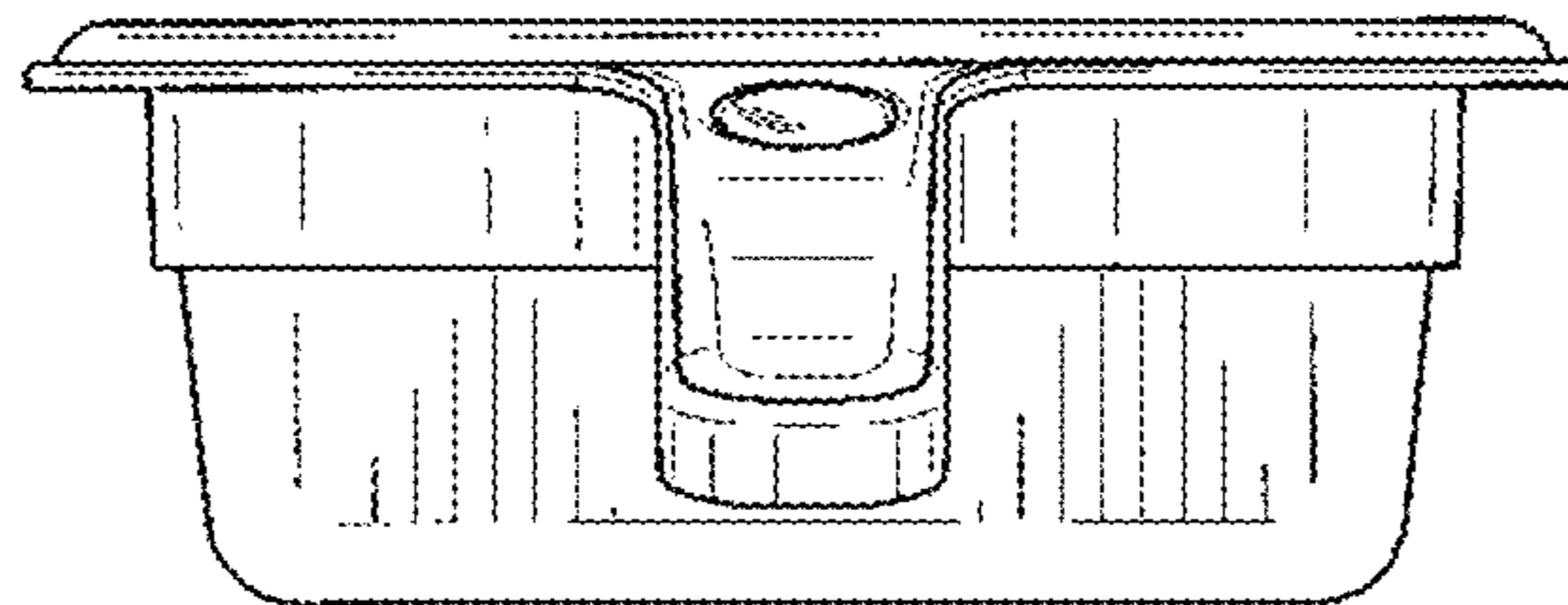


FIG. 3



*FIG. 4*



*FIG. 5*

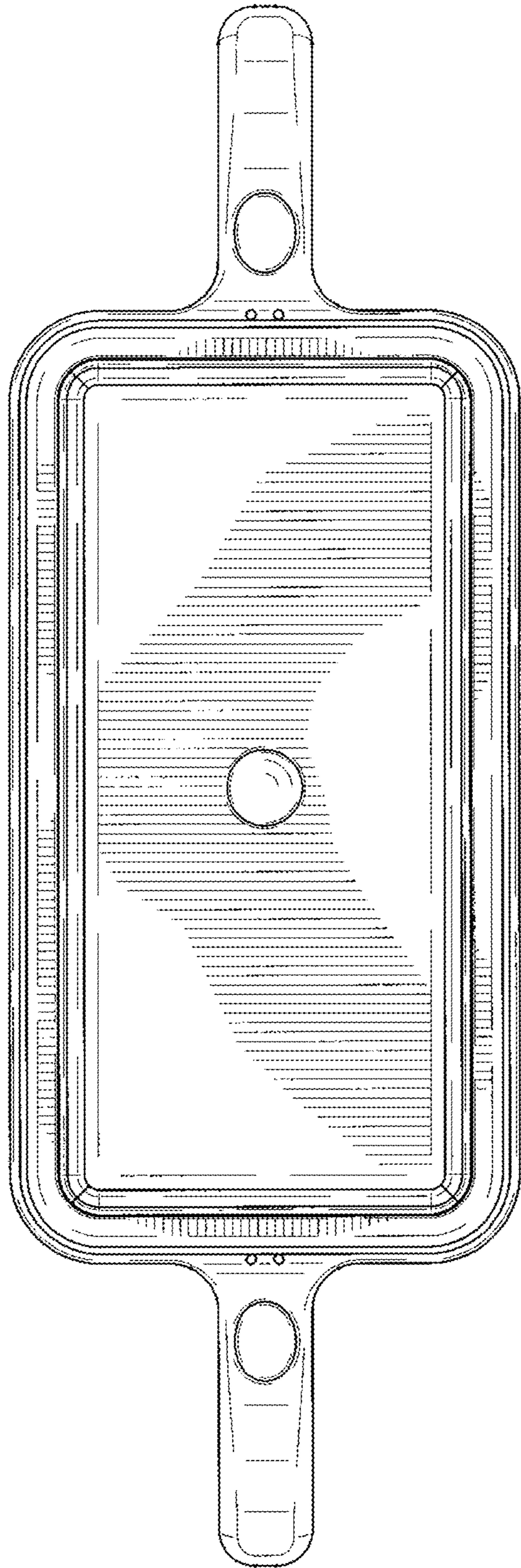


FIG. 6

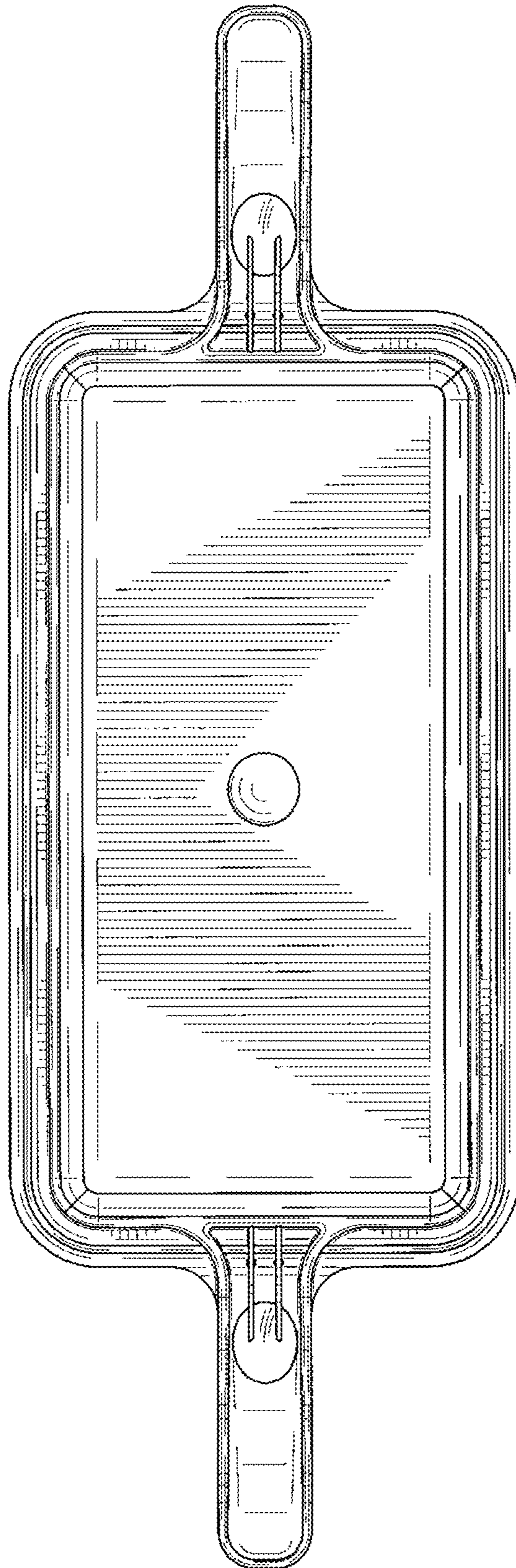


FIG. 7