



US00D797492S

(12) **United States Design Patent** (10) **Patent No.:** **US D797,492 S**
Shieh (45) **Date of Patent:** **** Sep. 19, 2017**

(54) STEAMER ASSEMBLY	5,097,753 A * 3/1992 Naft A47J 27/04 126/369
(71) Applicant: LIFE & LIVING INTERNATIONAL LIMITED , Tainan (TW)	5,235,904 A 8/1993 Ludena 5,287,798 A * 2/1994 Takeda A47J 27/04 126/369
(72) Inventor: Jaw Chyi Shieh , Hong Kong (CN)	5,400,701 A * 3/1995 Sham A47J 27/04 126/369
(73) Assignee: LIFE & LIVING INTERNATIONAL LIMITED , Tainan (TW)	5,584,235 A 12/1996 DuBois et al. D378,724 S * 4/1997 Young D7/360 5,794,525 A 8/1998 Fan 5,816,139 A * 10/1998 Scorta Paci A47J 27/04 126/369

(**) Term: **15 Years**
(21) Appl. No.: **29/547,672**
(22) Filed: **Dec. 7, 2015**

(Continued)

FOREIGN PATENT DOCUMENTS

FR 2960756 12/2011

OTHER PUBLICATIONS

Office Action for U.S. Appl. No. 13/960,789 dated Sep. 8, 2015, 6 pages.

Primary Examiner — Ricky Pham
(74) Attorney, Agent, or Firm — Amin, Turocy & Watson LLP

(57) **CLAIM**

The ornamental design for a steamer assembly, as shown and described.

DESCRIPTION

FIG. 1 is a top, right-side and front perspective view of a steamer assembly of the new design;
FIG. 2 is a front view thereof;
FIG. 3 is a rear view thereof;
FIG. 4 is a left-side view thereof;
FIG. 5 is a right-side view thereof;
FIG. 6 is a top view thereof;
FIG. 7 is a bottom view thereof; and,
FIG. 8 is an exploded top, right-side and front perspective view of the steamer assembly shown in FIG. 1.

1 Claim, 8 Drawing Sheets

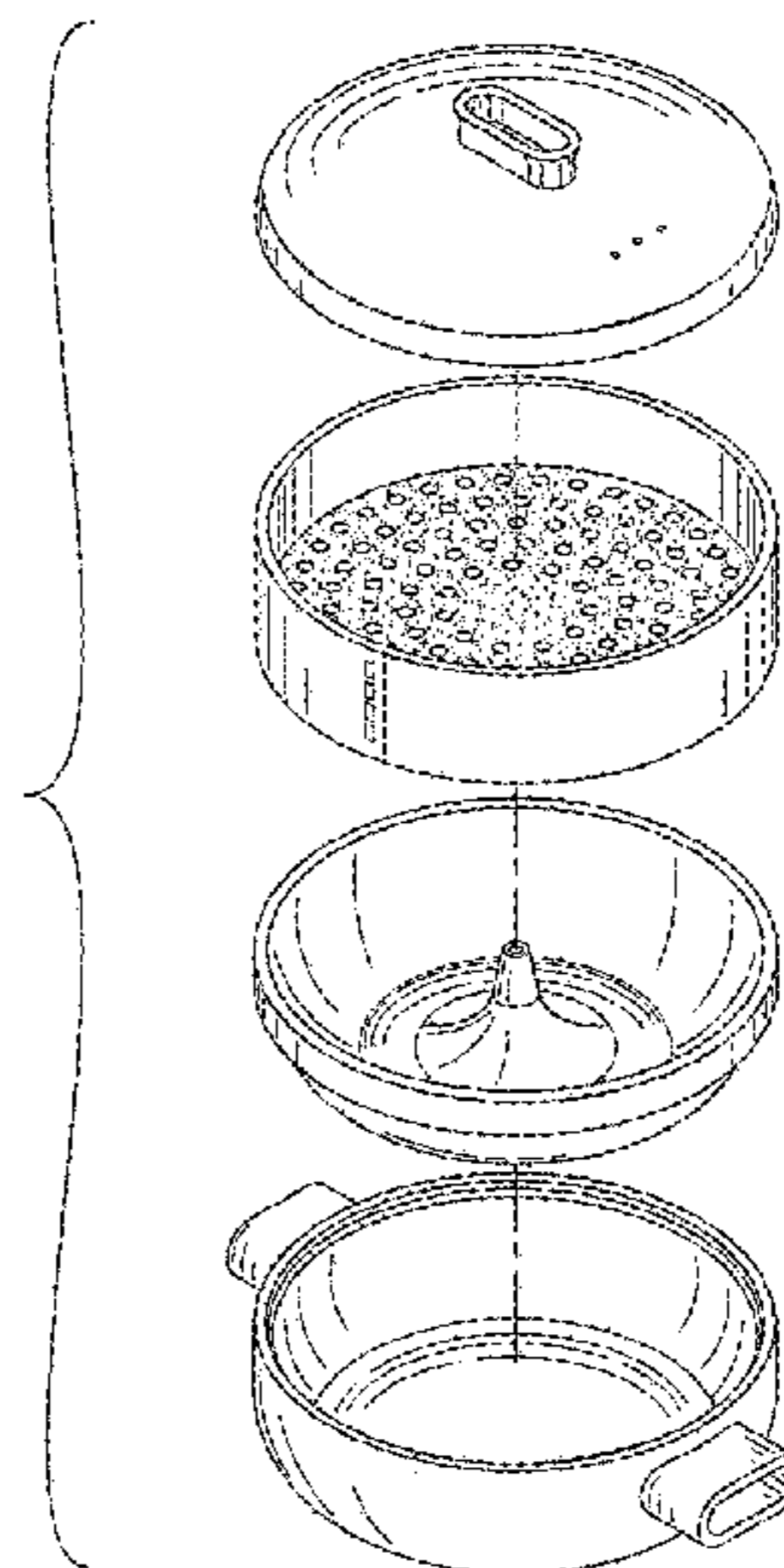
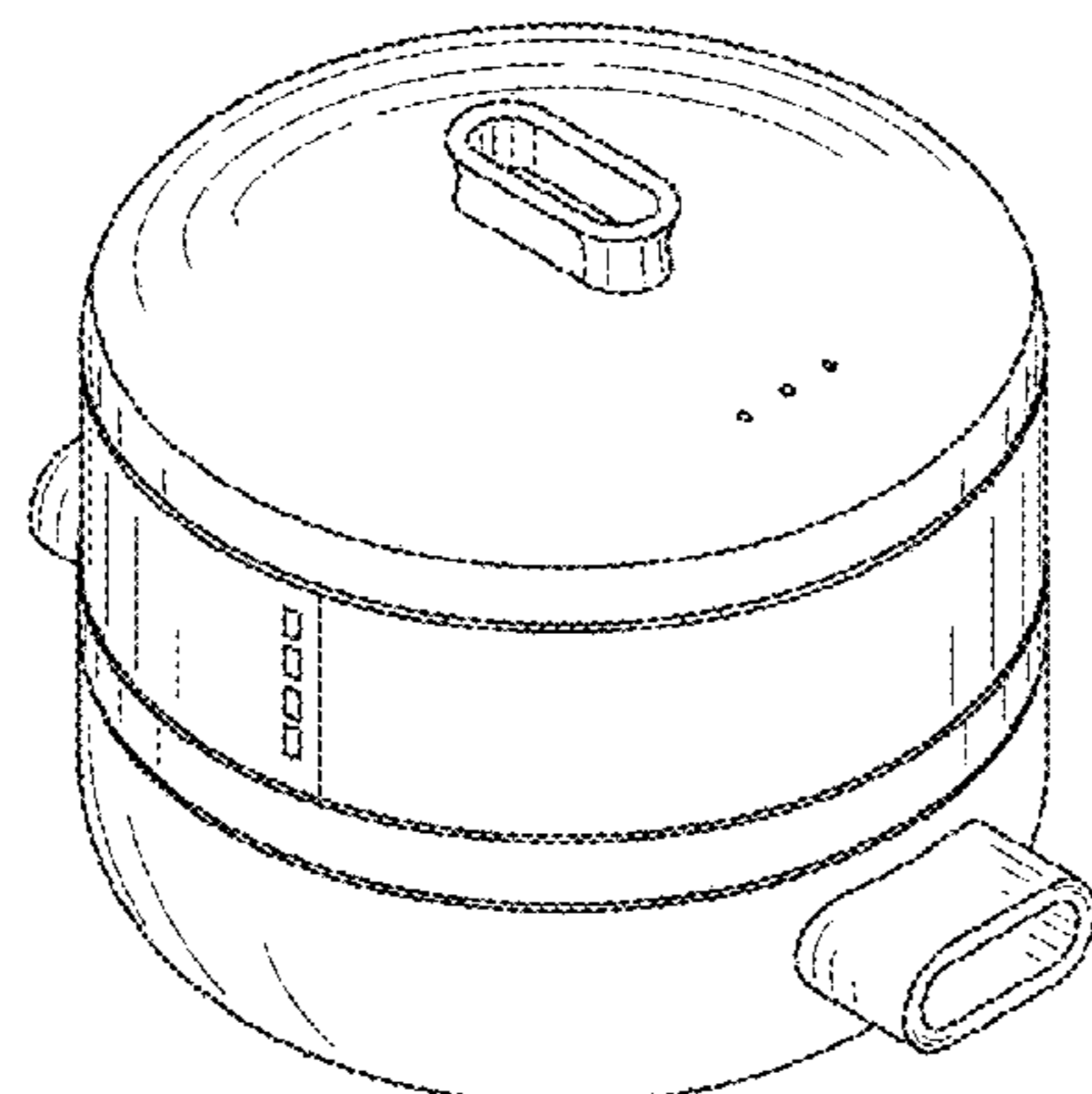
Related U.S. Application Data

(62) Division of application No. 13/960,789, filed on Aug. 6, 2013, now abandoned.
(51) **LOC (10) Cl.** **07-02**
(52) **U.S. Cl.**
USPC **D7/356**; D7/354; D7/360
(58) **Field of Classification Search**
USPC D7/323, 354-363, 391, 393-396, 409, D7/505
CPC A47G 19/12; A47J 27/00; A47J 27/002; A47J 27/04; A47J 27/05; A47J 27/08; A47J 27/13; A47J 27/21; A47J 27/58; A47J 36/025; A47J 36/06; A47J 36/12; A47J 37/00; A47J 37/10; A47J 37/101; A47J 37/103; A47J 37/12; A47J 37/1204; A47J 45/061; A47J 45/071; A47J 45/08; H05B 6/12
See application file for complete search history.

(56) **References Cited**

U.S. PATENT DOCUMENTS

780,851 A 1/1905 Wilson
D278,403 S * 4/1985 Cesaroni D7/354
4,640,186 A 2/1987 Hackelsberger



(56)

References Cited

U.S. PATENT DOCUMENTS

6,103,291 A * 8/2000 Fernandez Tapia A47J 27/04
220/912
D433,868 S * 11/2000 Jo D7/360
D435,392 S * 12/2000 Jo D7/356
6,196,115 B1 * 3/2001 Tsao A47J 27/13
126/20
6,840,159 B1 * 1/2005 Li A47J 27/05
99/337
D618,040 S * 6/2010 Hoff D7/354
D632,129 S * 2/2011 Chen D7/354
2006/0243141 A1 11/2006 Mayer et al.
2010/0139498 A1 6/2010 Chang

* cited by examiner

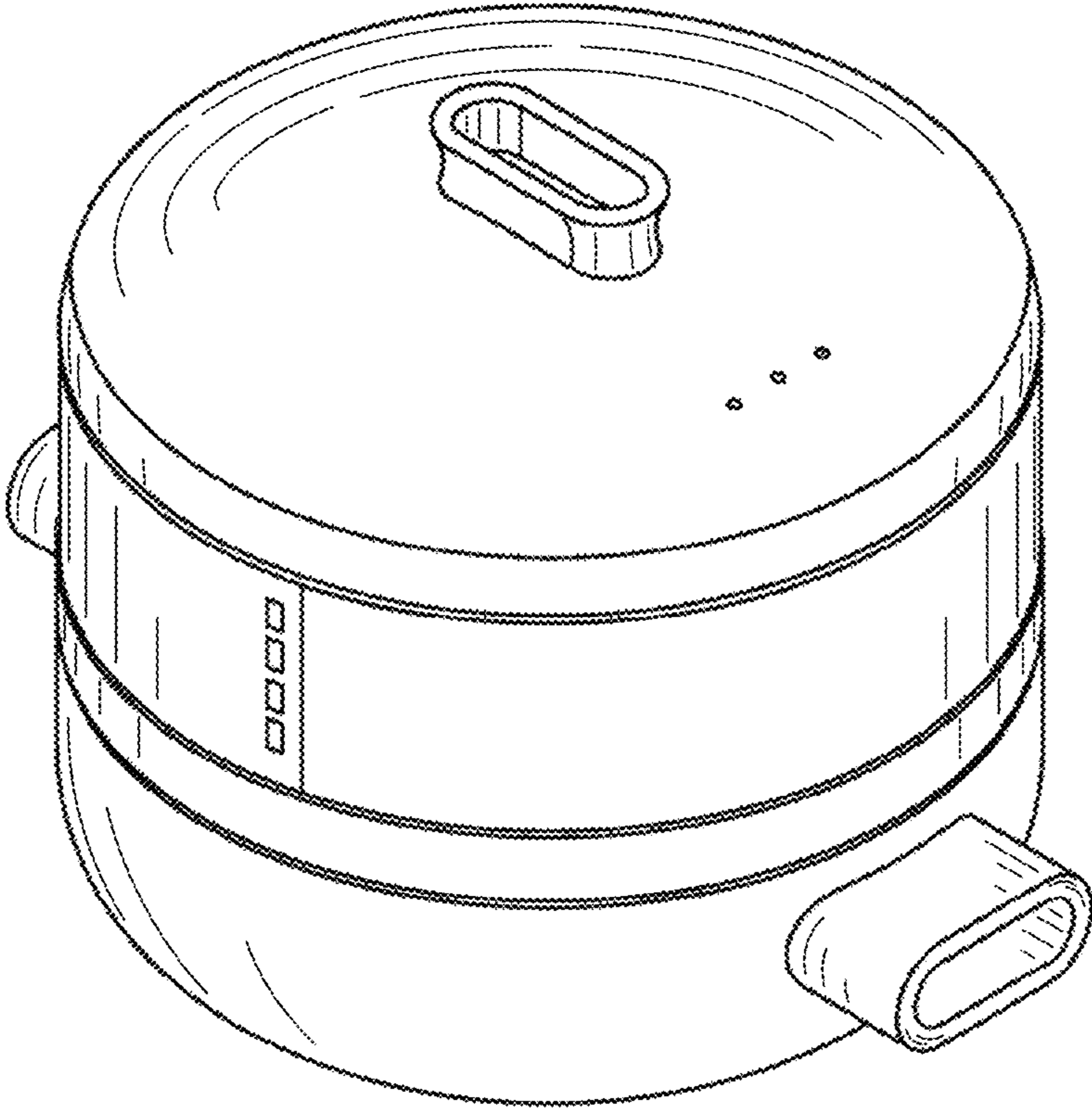


FIG. 1

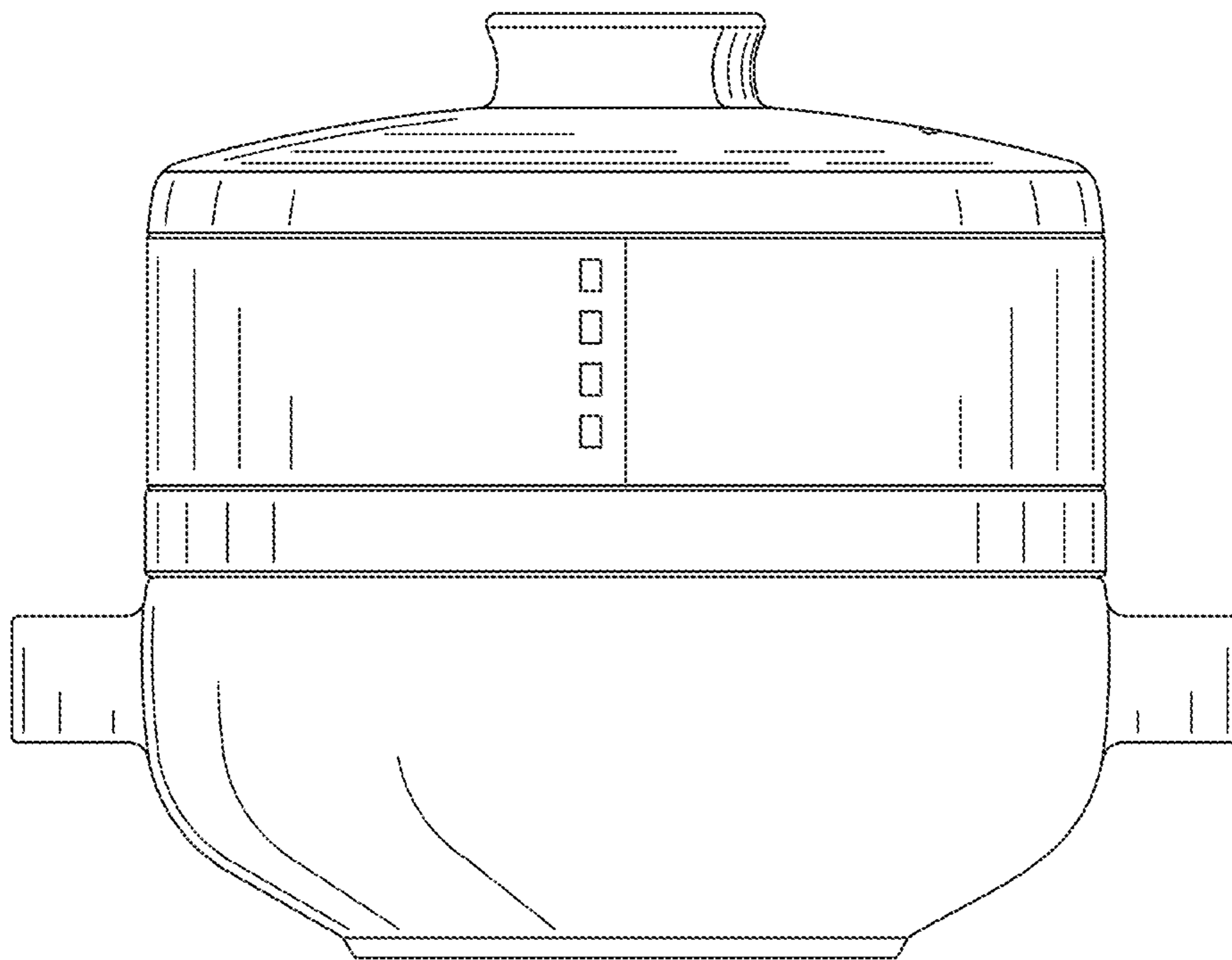


FIG. 2

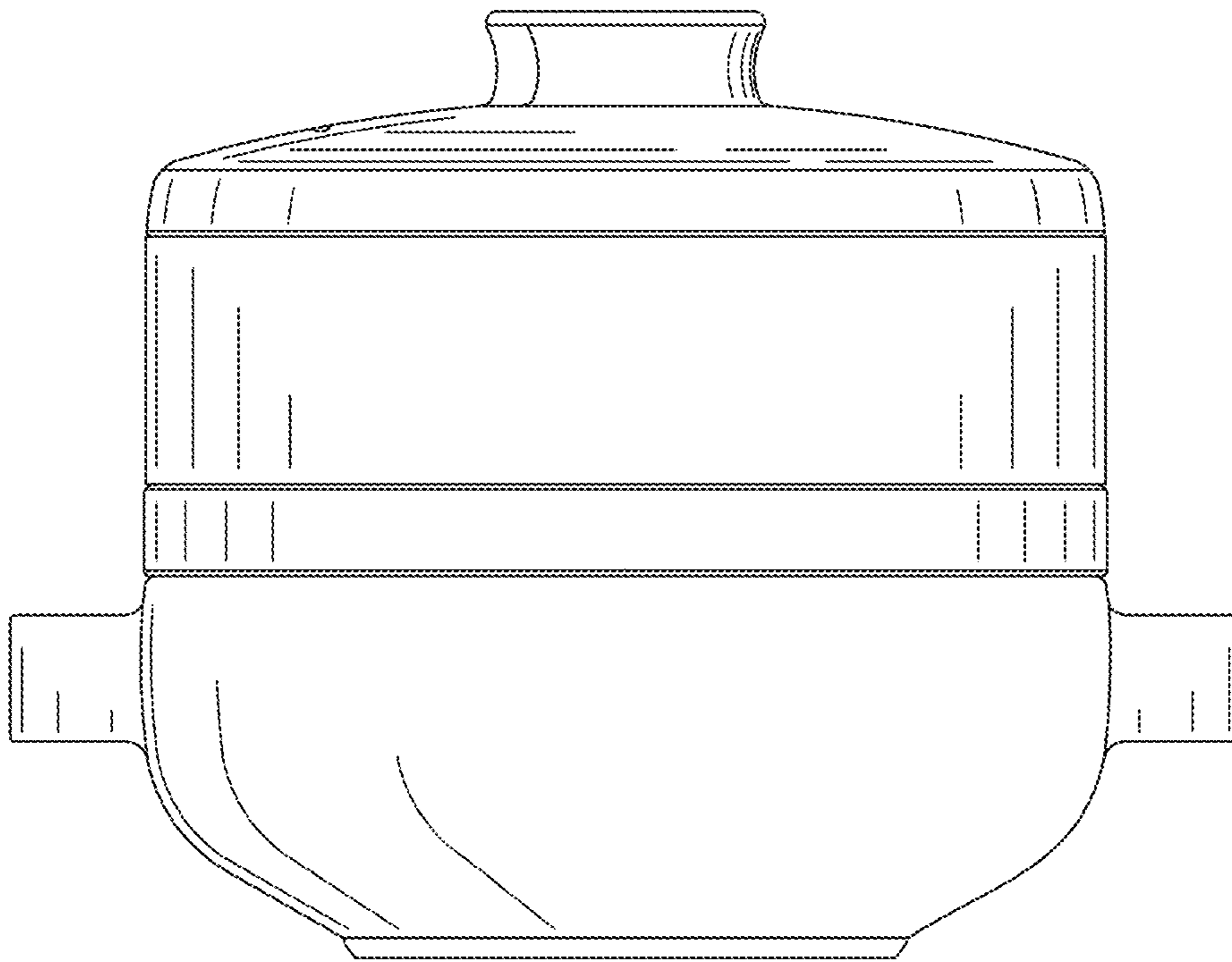


FIG. 3

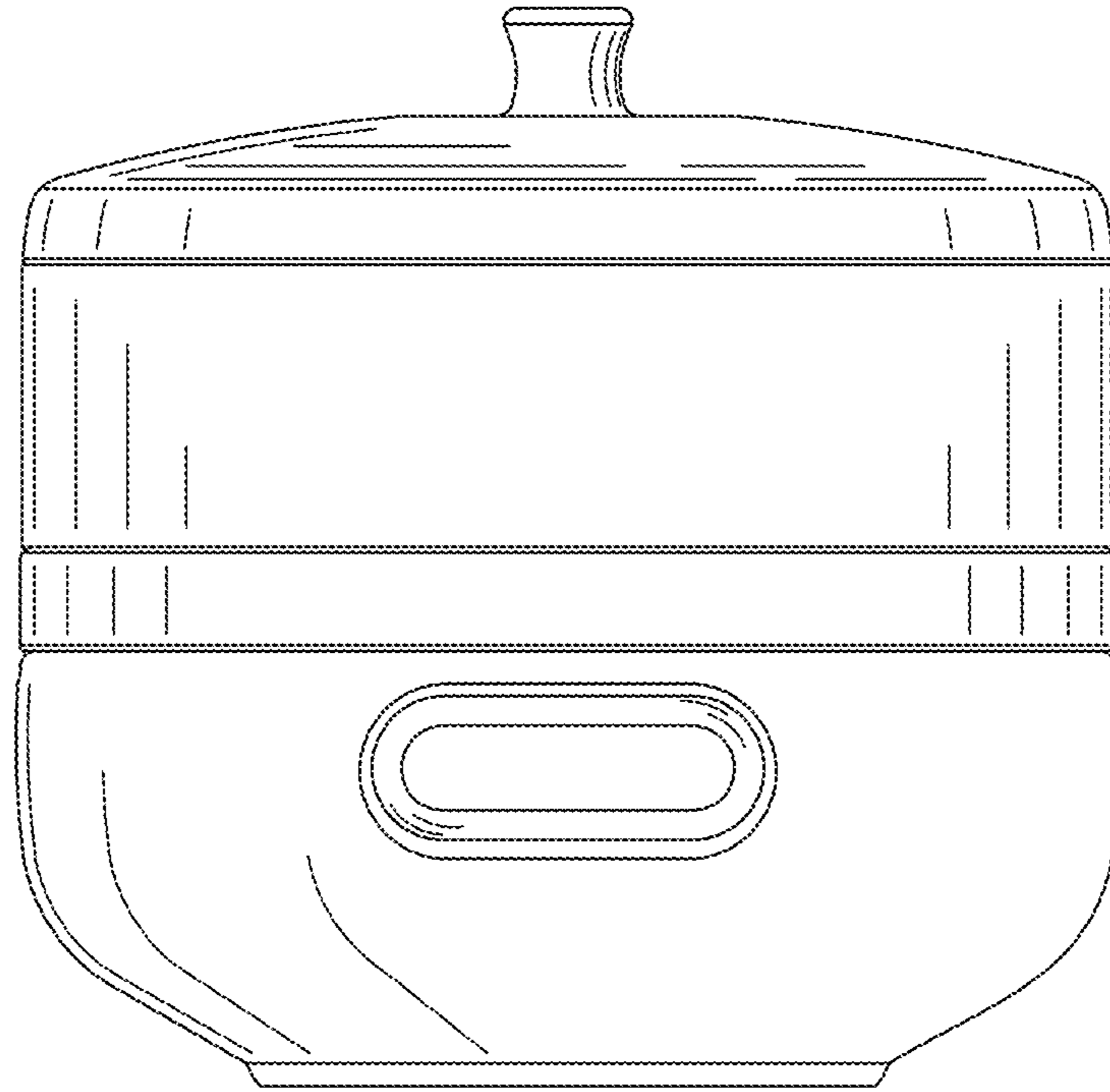


FIG. 4

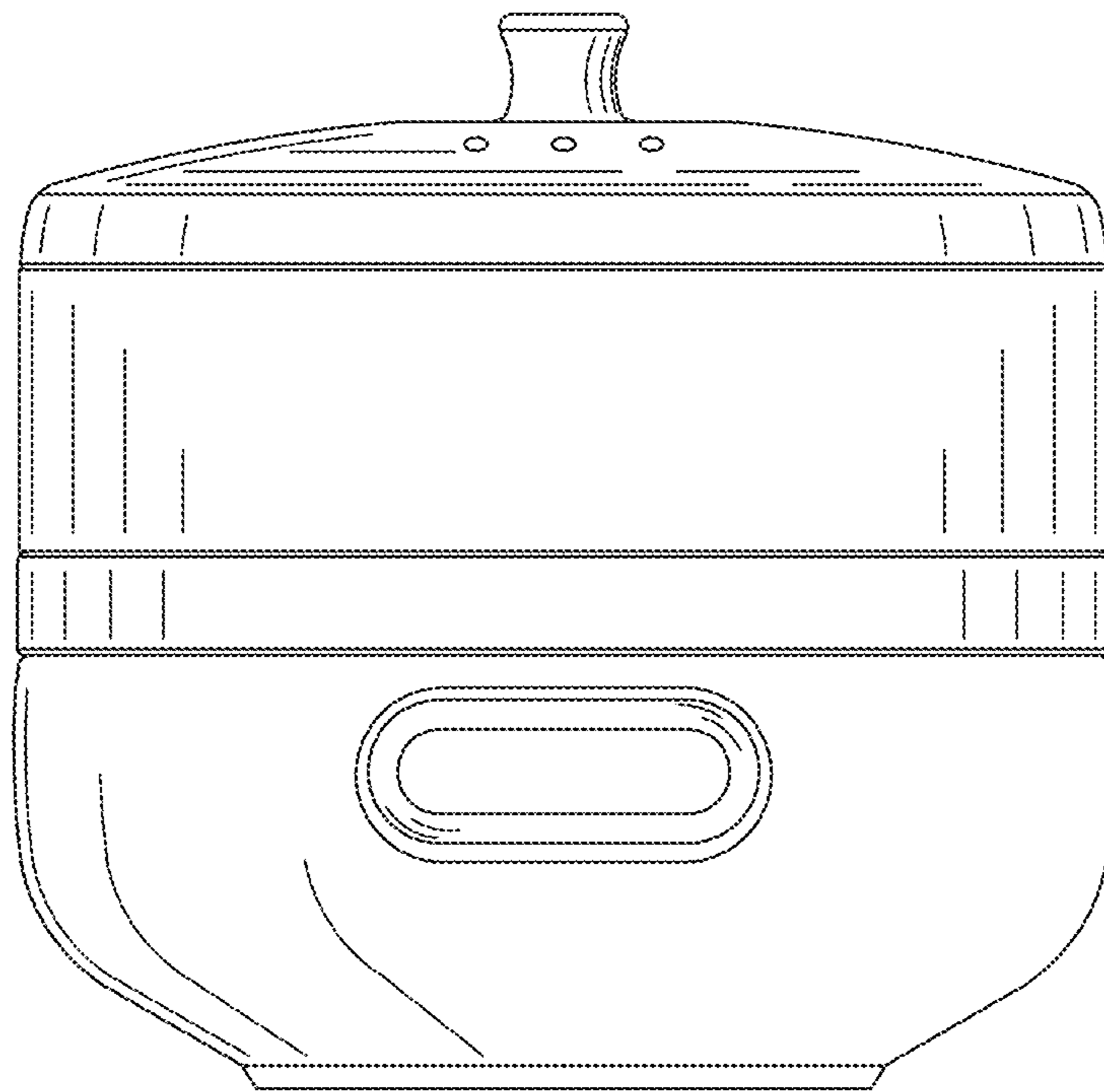


FIG. 5

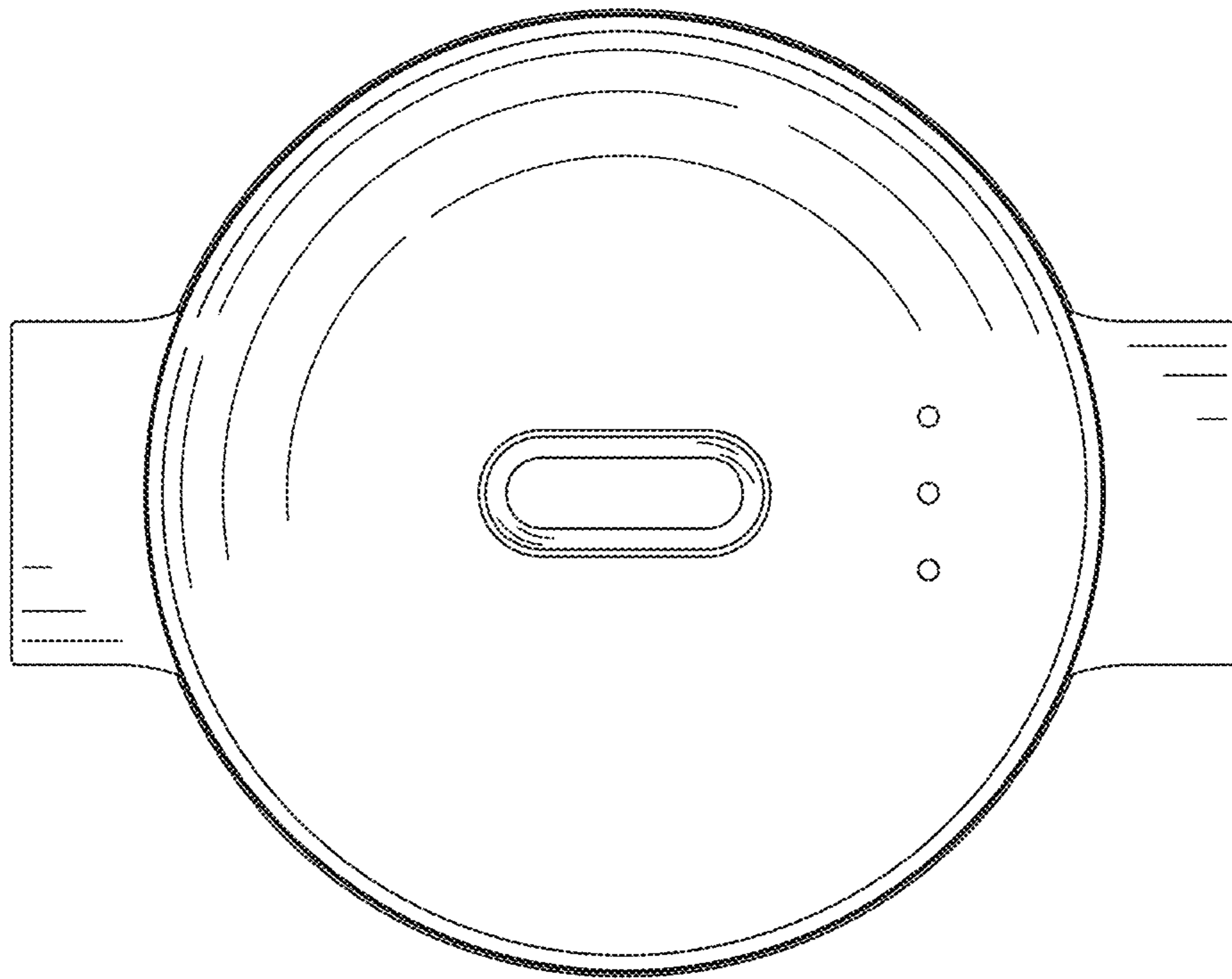


FIG. 6

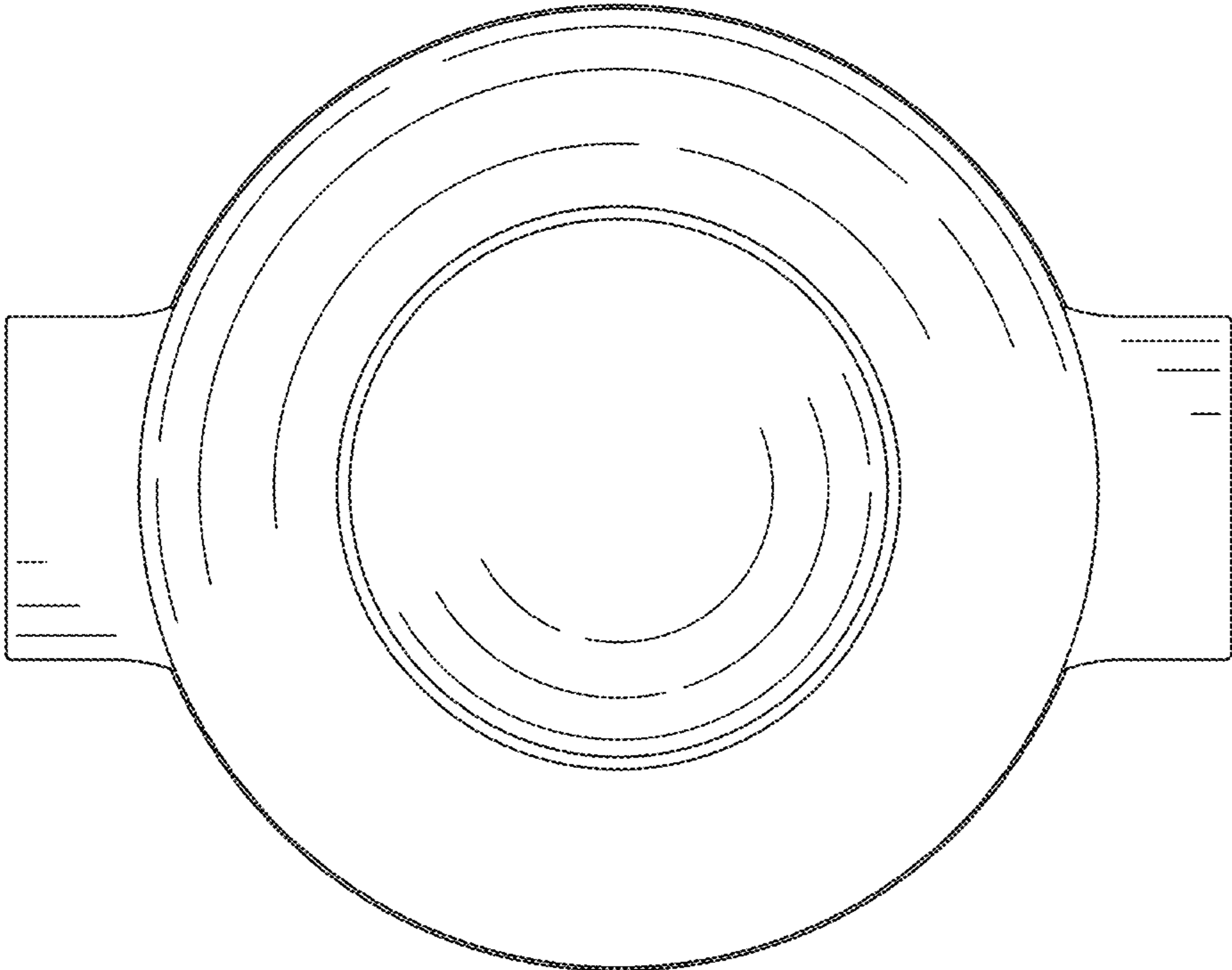


FIG. 7

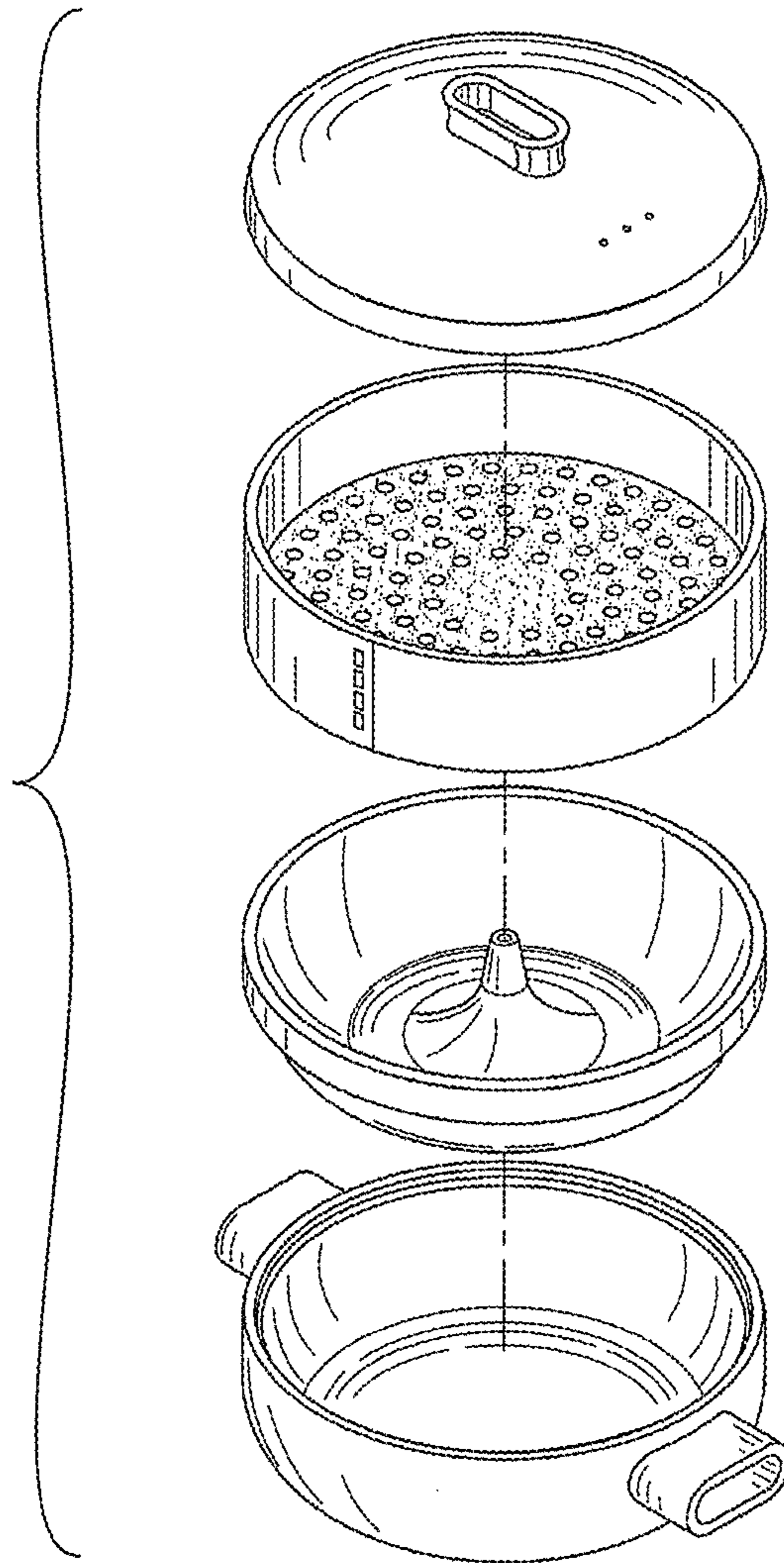


FIG. 8