

US00D797488S

(12) **United States Design Patent** (10) **Patent No.:** **US D797,488 S**  
**Silsby et al.** (45) **Date of Patent:** **\*\* Sep. 19, 2017**

(54) **PERCOLATOR**  
(71) Applicant: **Pacific Market International, LLC**,  
Seattle, WA (US)  
(72) Inventors: **Jacob D. Silsby**, Seattle, WA (US);  
**Evan Michael Choltco-Devlin**,  
Ellensburg, WA (US)  
(73) Assignee: **PACIFIC MARKET**  
**INTERNATIONAL, LLC**, Seattle, WA  
(US)

4,967,939 A \* 11/1990 Taylor ..... A47J 43/27  
222/196  
4,993,603 A \* 2/1991 Polhemus ..... B65D 51/02  
222/472  
D395,784 S \* 7/1998 Michaeli ..... D7/318  
D398,474 S \* 9/1998 Wagner ..... D7/305  
6,394,322 B1 \* 5/2002 Sekiya ..... A47G 19/12  
222/465.1  
D560,951 S \* 2/2008 Appleton ..... D7/317  
D584,559 S \* 1/2009 Bodum ..... D7/317  
D622,090 S \* 8/2010 Bodum ..... D7/317  
D663,155 S \* 7/2012 Bodum ..... D7/317

(Continued)

(\*\*) Term: **15 Years**  
(21) Appl. No.: **29/568,818**  
(22) Filed: **Jun. 21, 2016**  
(51) **LOC (10) Cl.** ..... **07-01**  
(52) **U.S. Cl.**  
USPC ..... **D7/319; D7/317**  
(58) **Field of Classification Search**  
USPC ..... D7/316, 317, 318, 319, 303, 302, 312,  
D7/322, 321, 600, 397; D10/46.2;  
D9/524, 526, 527; 222/573; D23/212,  
D23/211.2, 207, 209  
CPC ..... B65D 23/06; B65D 47/06; B67D 1/16;  
A47G 19/00; A47G 19/12; A47J 31/20;  
B01D 35/00  
See application file for complete search history.

**OTHER PUBLICATIONS**

“GSI Glacier Stainless Stovetop Percolator,” © 2015 GSI Outdoors,  
<<http://www.gsioutdoors.com/glacier-stainless-12-cup-perc-w-sili-cone-handle.html>>, [retrieved Sep. 13, 2016], 5 pages. GSI product offered for sale prior to the application filing date of Jun. 21, 2016.

*Primary Examiner* — Marianne Pandozzi  
(74) *Attorney, Agent, or Firm* — George C. Rondeau, Jr.;  
Davis Wright Tremaine LLP

(57) **CLAIM**

The ornamental design for a percolator, as shown and described.

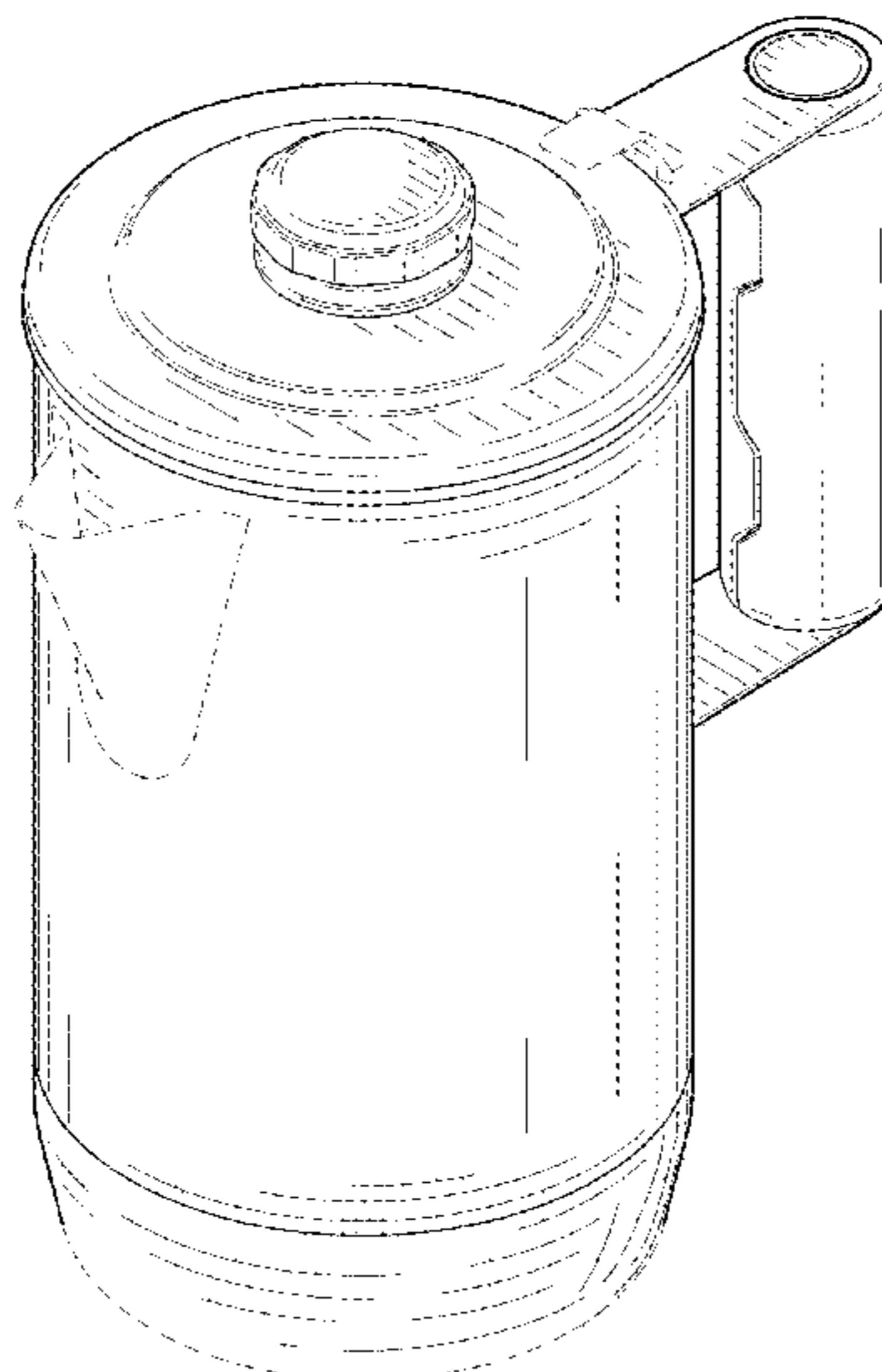
**DESCRIPTION**

FIG. 1 is a top perspective view of a percolator showing our new design.  
FIG. 2 is a bottom perspective view thereof.  
FIG. 3 is a right side elevational view thereof.  
FIG. 4 is a front elevational view thereof.  
FIG. 5 is a top plan view thereof.  
FIG. 6 is a left side elevational view thereof.  
FIG. 7 is a rear elevational view thereof; and,  
FIG. 8 is a bottom plan view thereof.  
The broken lines in the drawing depict portions of the percolator that form no part of the claimed design.

(56) **References Cited**  
U.S. PATENT DOCUMENTS

D144,354 S \* 4/1946 Cadie ..... D7/317  
D220,773 S \* 5/1971 Dilyard ..... D7/317  
D255,531 S \* 6/1980 Daenen ..... D10/46.2  
4,776,956 A \* 10/1988 Gannaway ..... B01D 35/027  
210/282  
D306,547 S \* 3/1990 Wolfenden ..... D7/317  
4,907,719 A \* 3/1990 Spotholz ..... A47G 19/12  
220/216

**1 Claim, 8 Drawing Sheets**



(56)

**References Cited**

U.S. PATENT DOCUMENTS

D691,409 S	*	10/2013	Dichraff .....	D7/317
D691,410 S	*	10/2013	Dichraff .....	D7/317
D703,479 S	*	4/2014	Norland .....	D7/376
D715,586 S	*	10/2014	Katterheinrich .....	D7/317
D763,042 S	*	8/2016	Shao .....	D7/517

\* cited by examiner

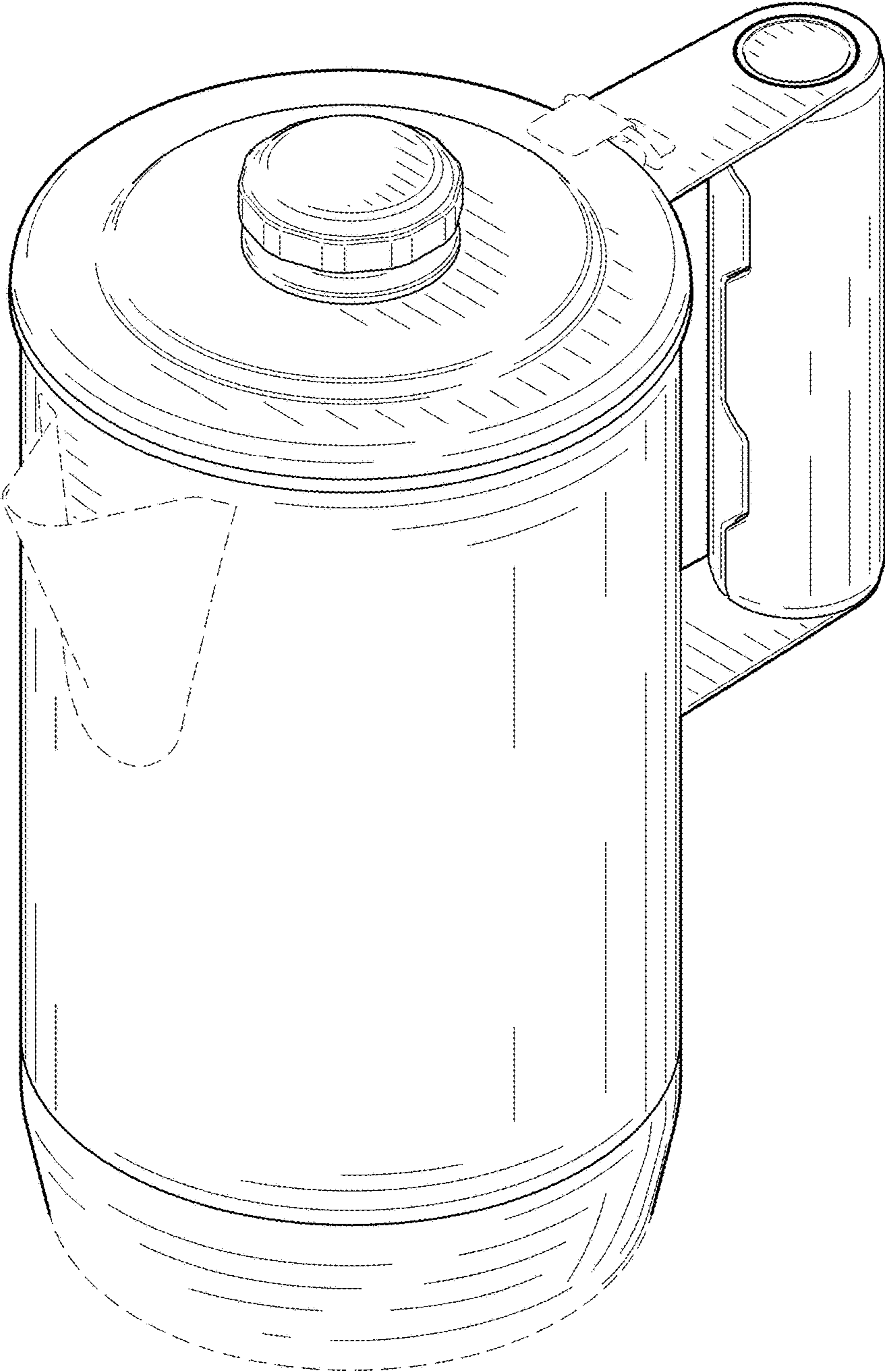


FIG. 1

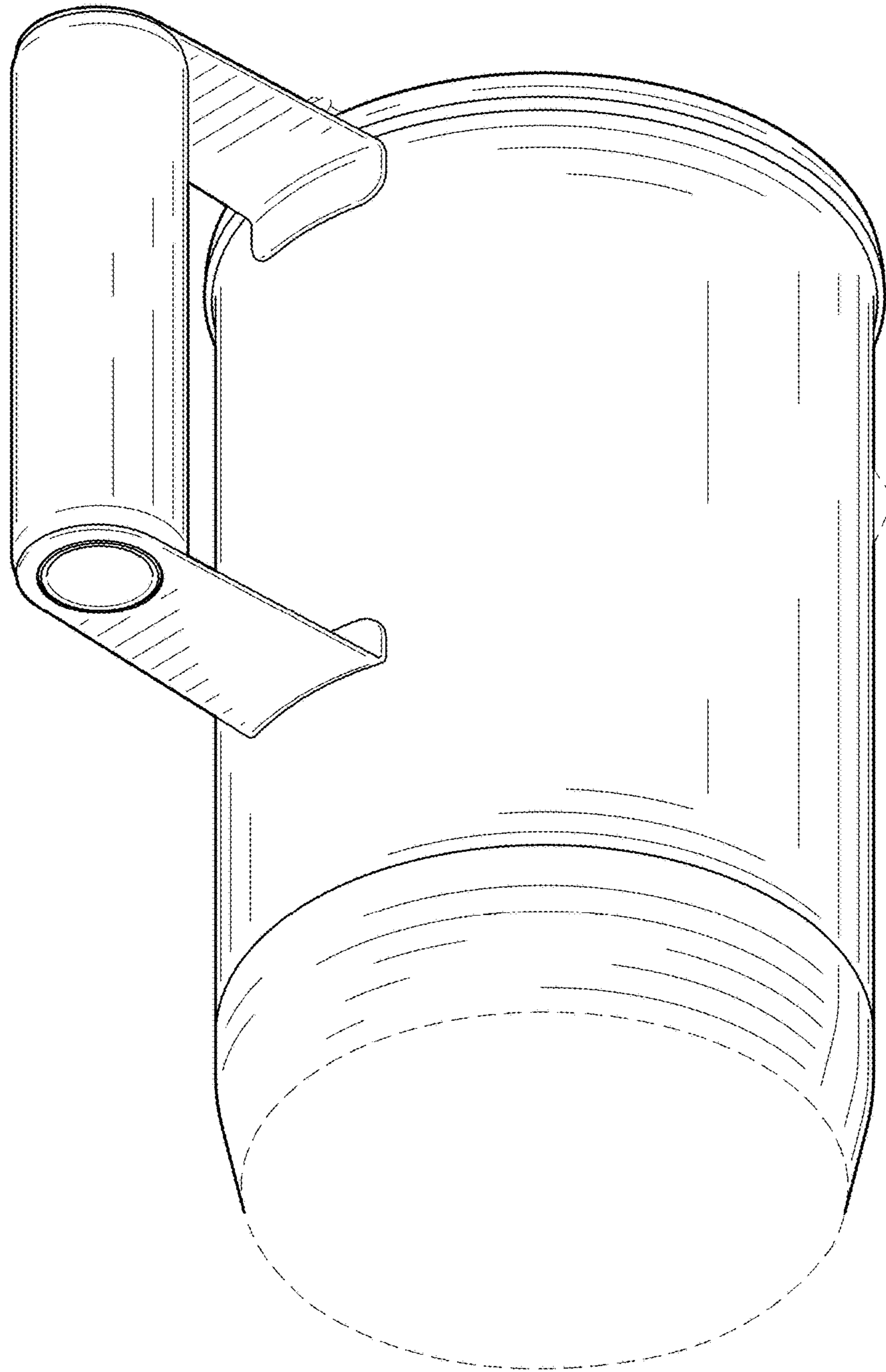


FIG. 2

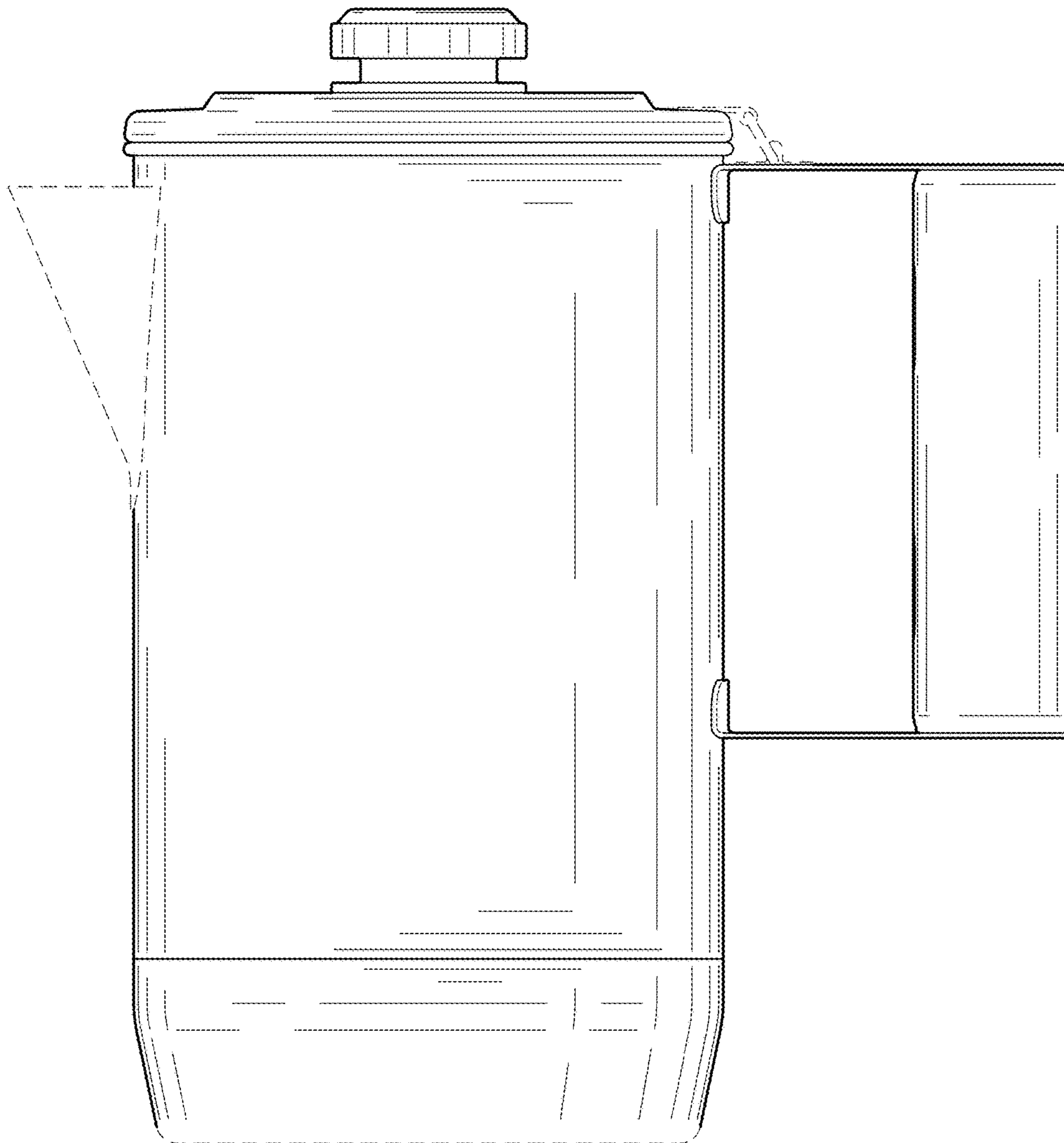


FIG. 3

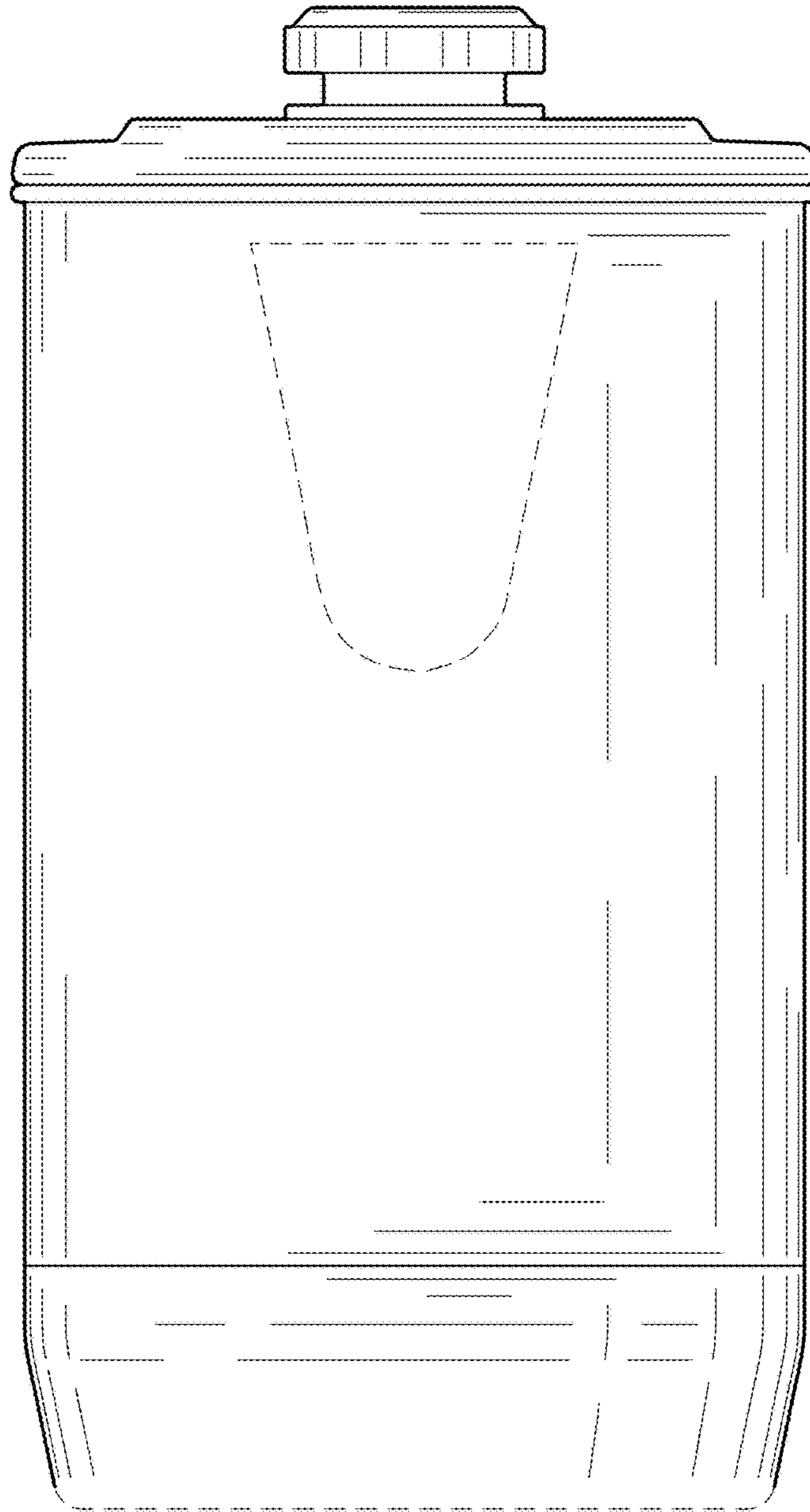


FIG. 4

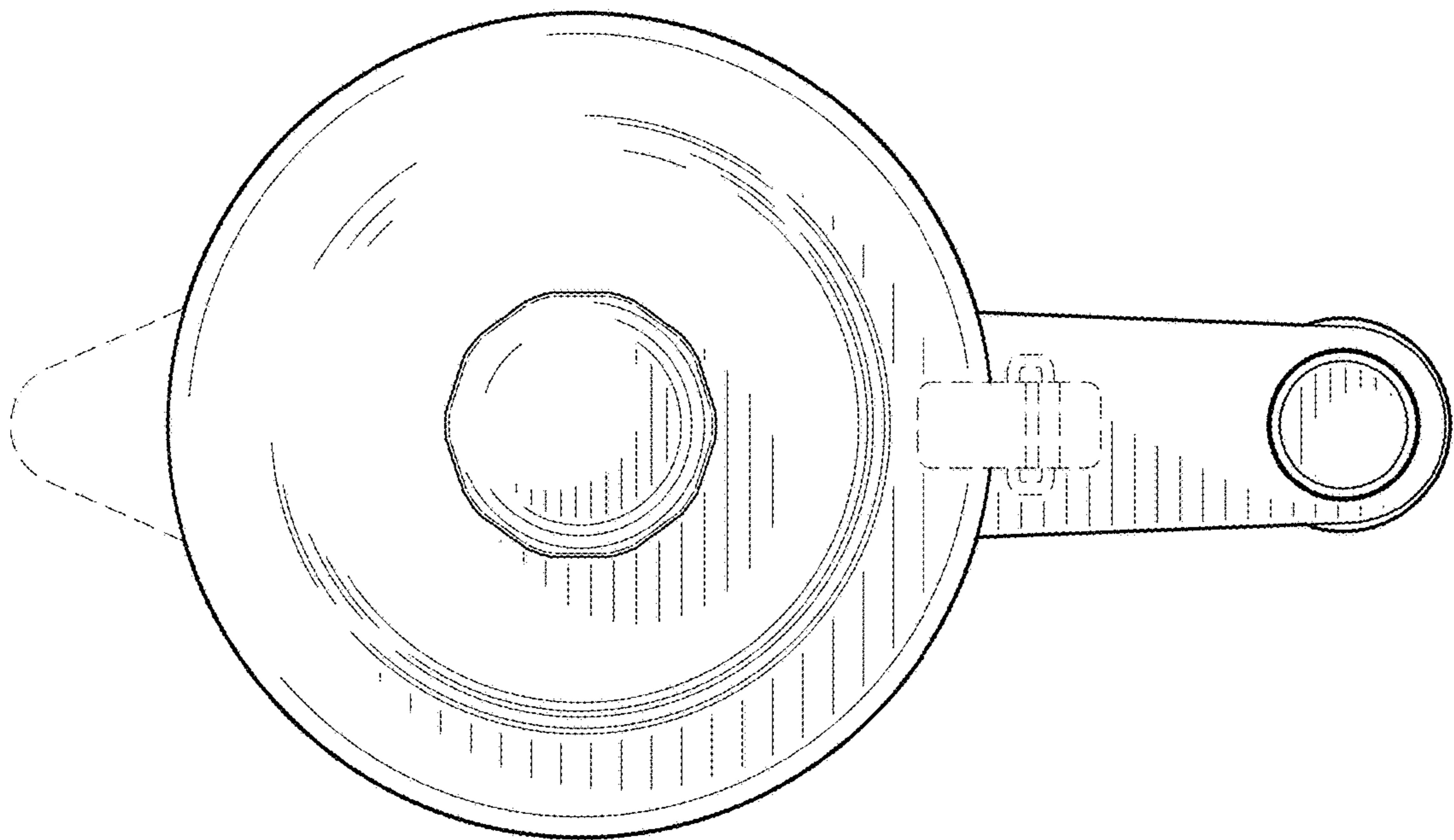


FIG. 5

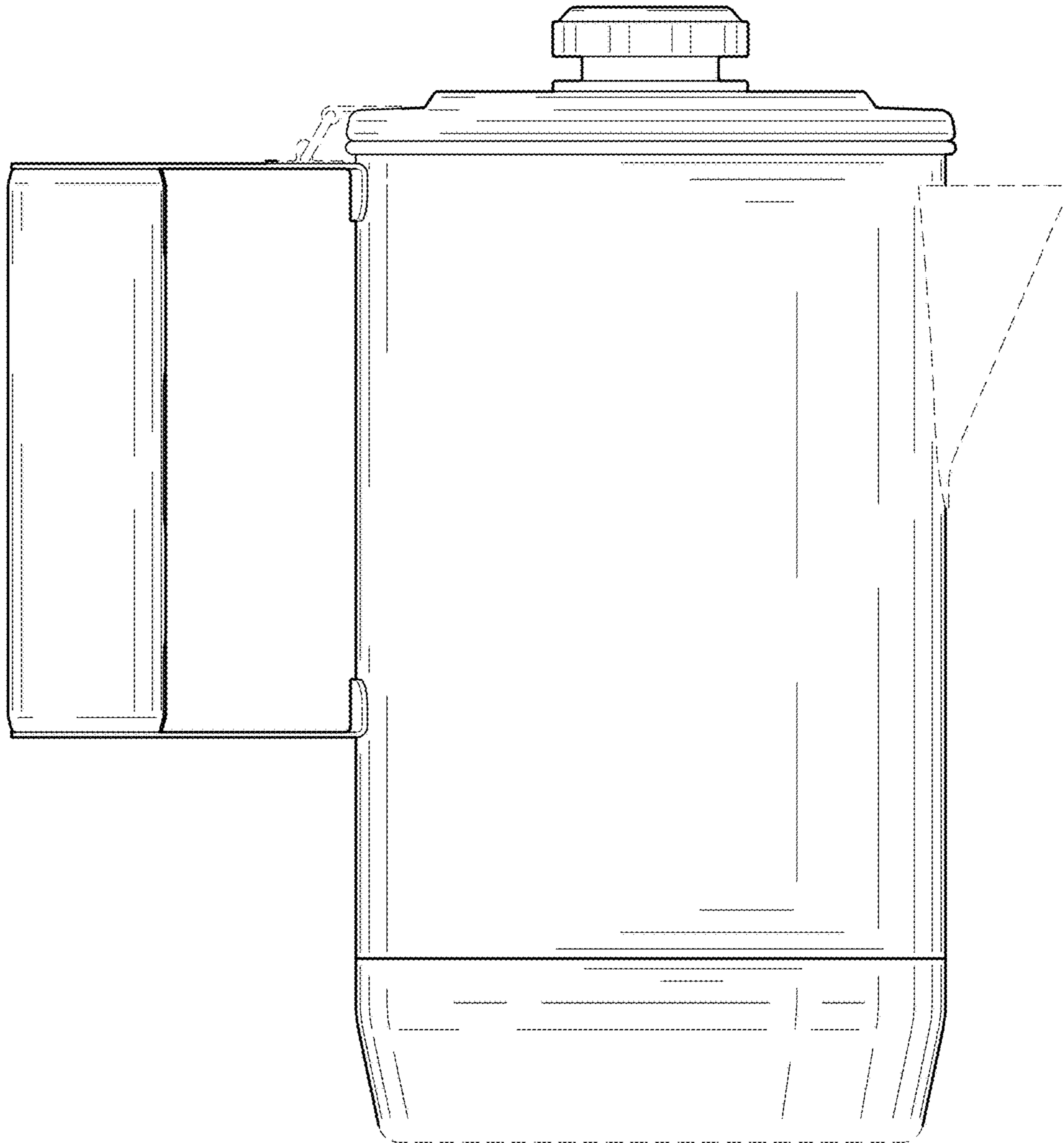


FIG. 6



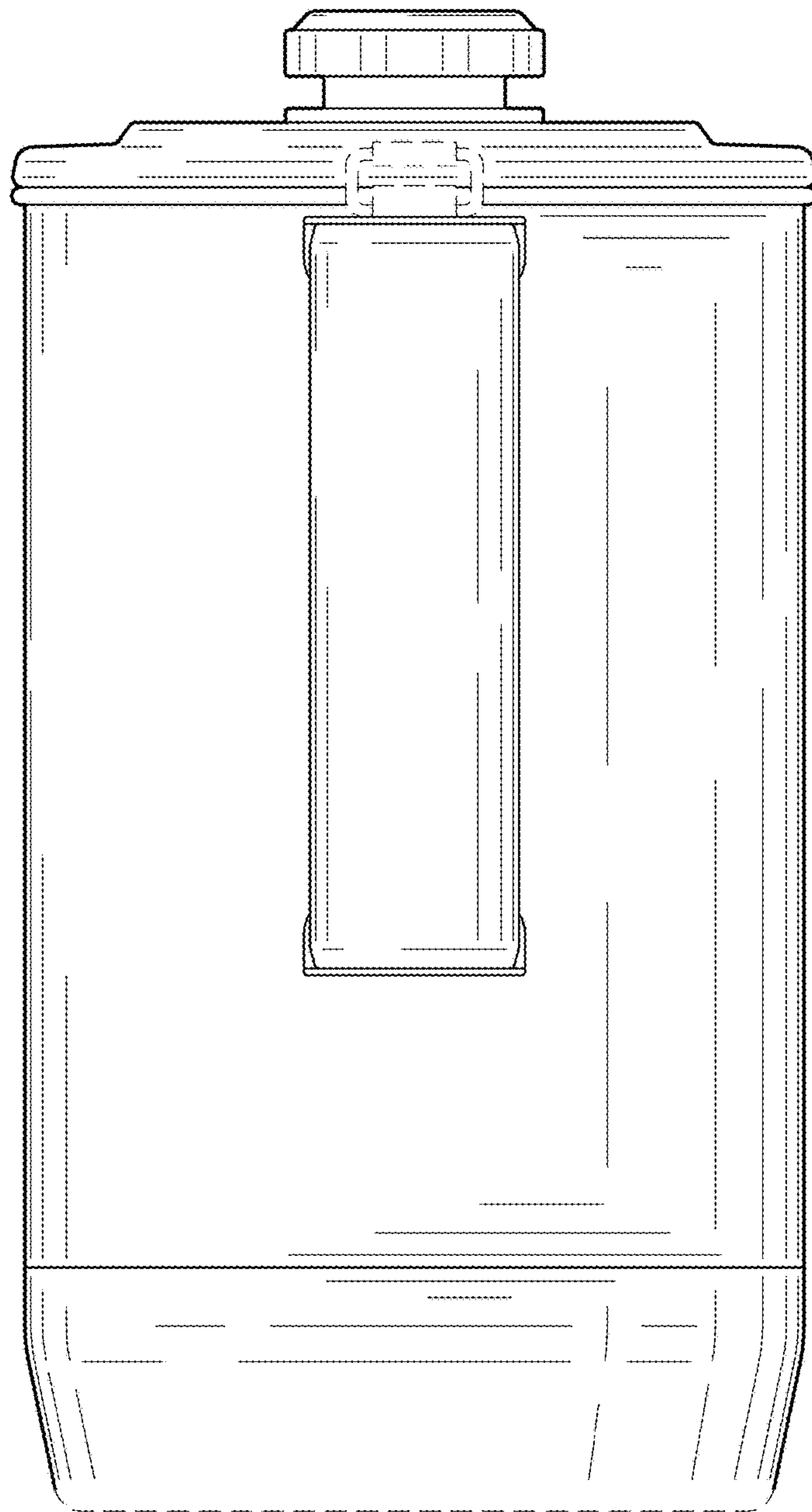


FIG. 7

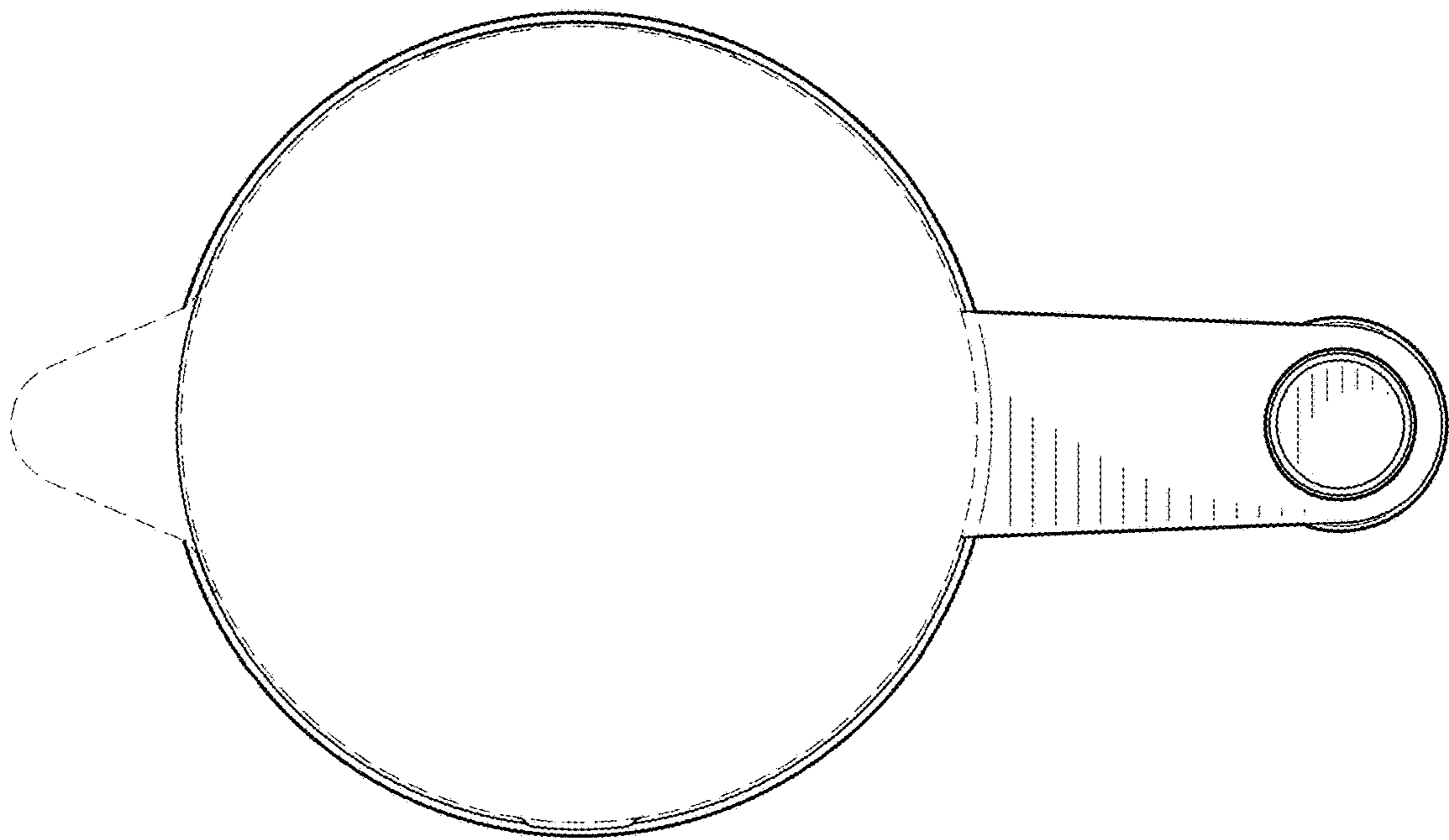


FIG. 8