



US00D797487S

(12) **United States Design Patent**
Mangold et al.

(10) **Patent No.:** **US D797,487 S**

(45) **Date of Patent:** **** Sep. 19, 2017**

(54) **COMMERCIAL BEVERAGE BREWER**

(71) Applicant: **Alpha Dominche Limited**, Salt Lake City, UT (US)

(72) Inventors: **Adam Roth Mangold**, Salt Lake City, UT (US); **Tymer T. Tilton**, Salt Lake City, UT (US)

(73) Assignee: **ALPHA DOMINCHE HOLDINGS, INC.**, Dallas, TX (US)

(**) Term: **15 Years**

(21) Appl. No.: **29/561,306**

(22) Filed: **Apr. 14, 2016**

(51) **LOC (10) Cl.** **07-01**

(52) **U.S. Cl.**
USPC **D7/309; D7/311**

(58) **Field of Classification Search**
USPC D7/305-311, 313; D15/82; 222/129.1, 222/146.6; 99/295
CPC A47J 31/44; A47J 31/4403; A47J 31/46; A47J 31/4482; A47J 31/369; A47J 31/407; A47J 31/30; A47J 31/20; A47J 4/025; A47J 31/002; B67D 1/36; B67D 2210/0065; B67D 1/0864; B67D 3/0061
See application file for complete search history.

(56) **References Cited**

U.S. PATENT DOCUMENTS

D285,276 S * 8/1986 Daher D7/309
4,630,532 A * 12/1986 Sonnentag A47J 31/0573
248/201
D290,215 S * 6/1987 Sonnentag D7/305
D298,722 S * 11/1988 Nomura D7/305

5,161,455 A * 11/1992 Anson A47J 31/4482
141/378
RE37,173 E * 5/2001 Jefferson, Jr. A23F 5/26
99/283
D499,599 S * 12/2004 Morrison D7/306
D633,746 S * 3/2011 Lam D7/309
8,087,346 B2 * 1/2012 Webster A47J 31/057
137/625.42
D690,548 S * 10/2013 Andreesen D7/309
D718,564 S * 12/2014 Ragot D7/309
D778,096 S * 2/2017 Broen D7/305

* cited by examiner

Primary Examiner — Marianne Pandozzi

(74) *Attorney, Agent, or Firm* — Phillips Ryther & Winchester; Matthew D. Thayne

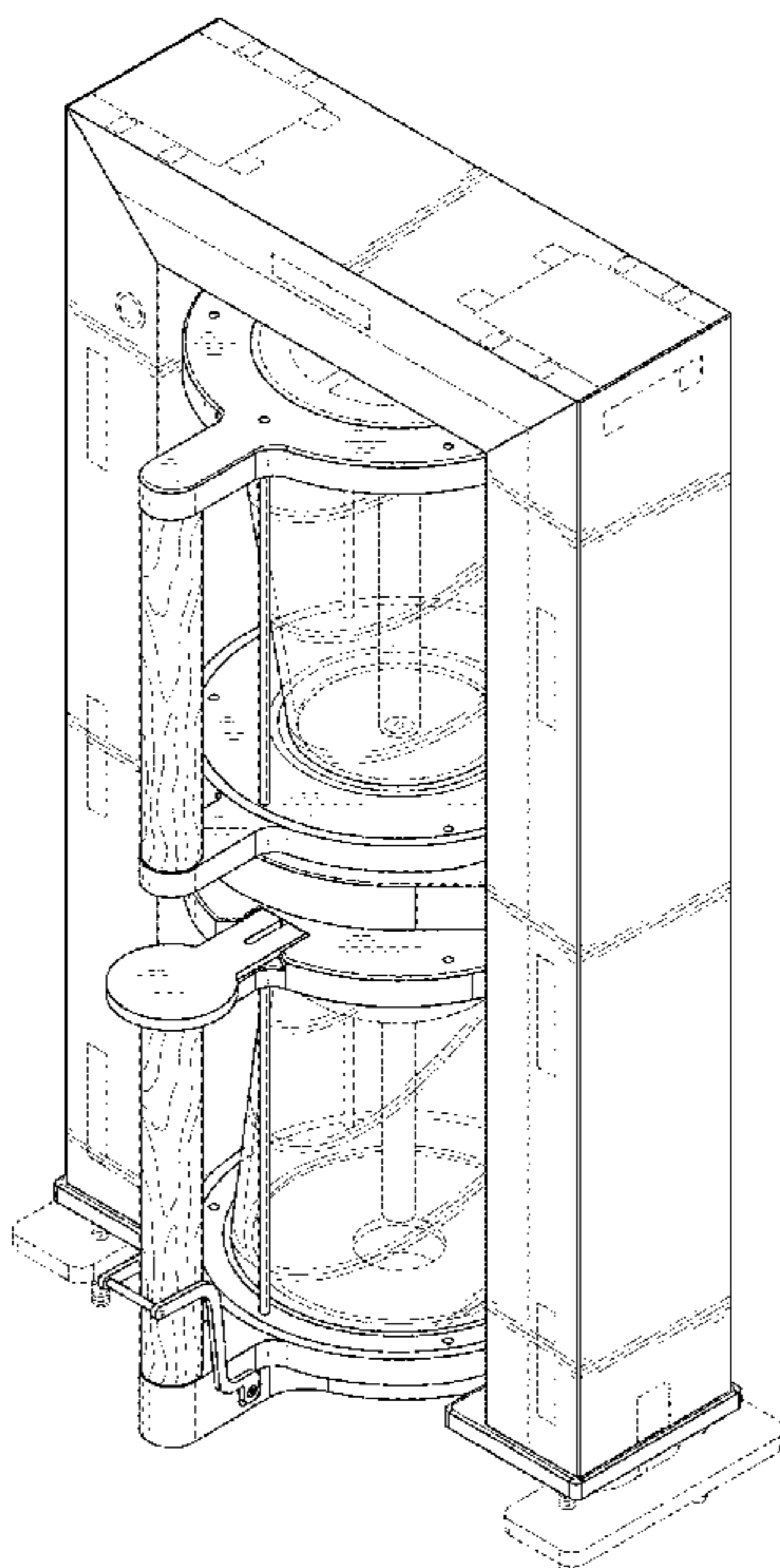
(57) **CLAIM**

The ornamental design for a commercial beverage brewer, as shown and described.

DESCRIPTION

FIG. 1 is a front perspective view of the beverage brewer. FIG. 2 is a rear perspective view of the beverage brewer. FIG. 3 is a front elevation view of the beverage brewer. FIG. 4 is a rear elevation view of the beverage brewer. FIG. 5 is a side elevation view of the beverage brewer from a first side. FIG. 6 is a side elevation view of the beverage brewer from a second side opposite from the first side. FIG. 7 is a top plan view of the beverage brewer; and, FIG. 8 is a bottom plan view of the beverage brewer. The broken lines in the drawing depict portions of the commercial beverage brewer that form no part of the claimed design.

1 Claim, 7 Drawing Sheets



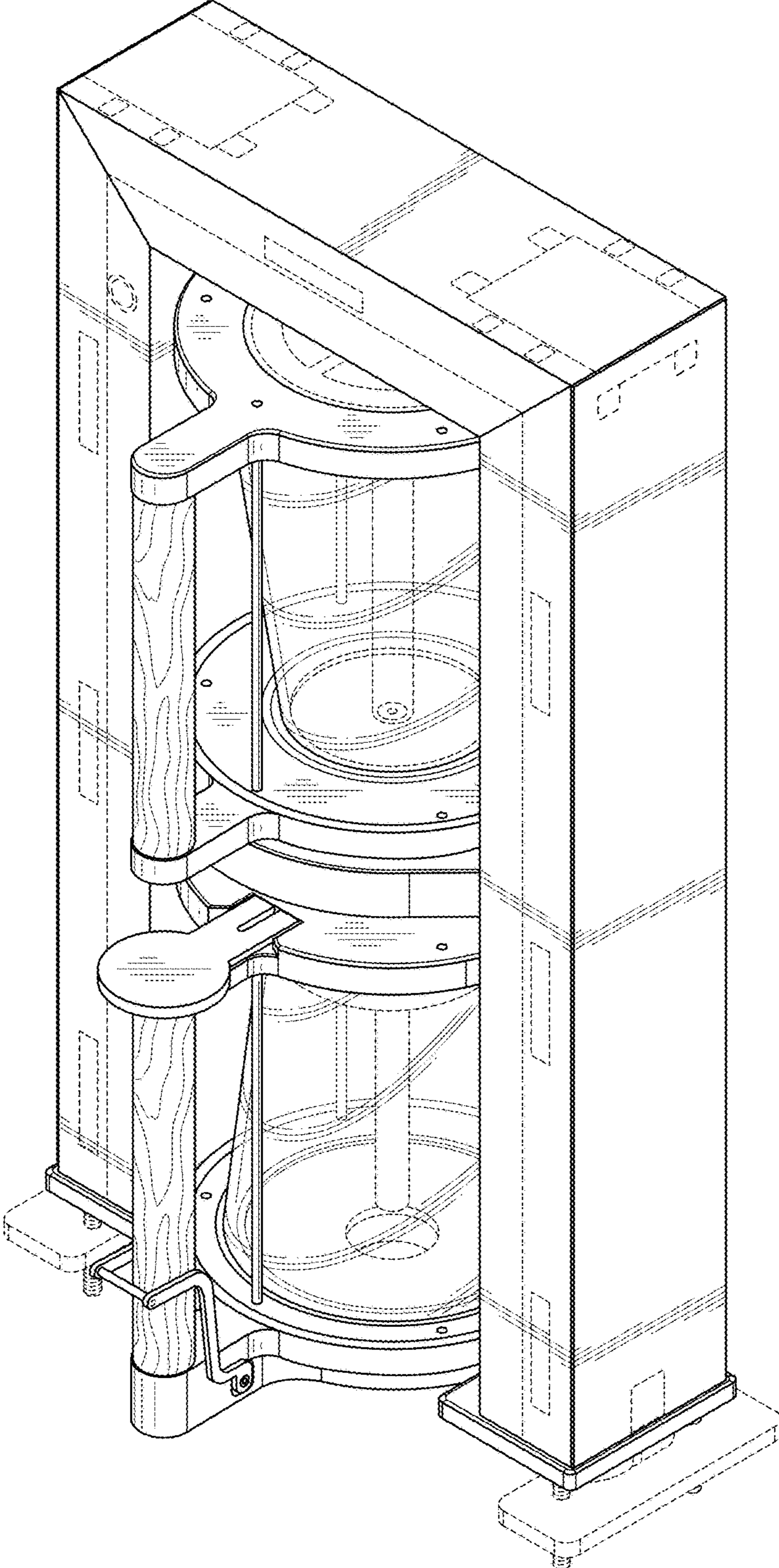


FIG. 1

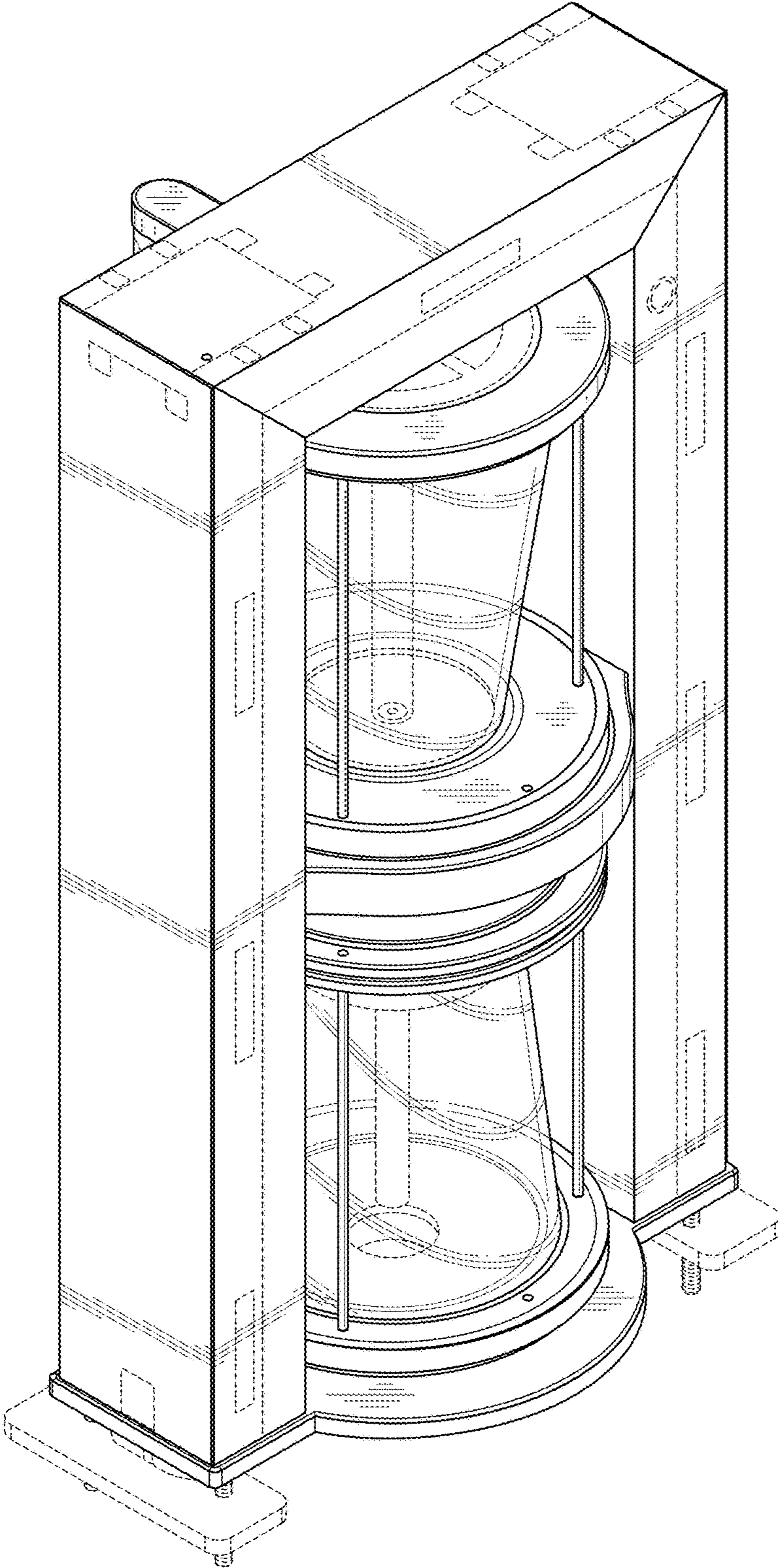


FIG. 2

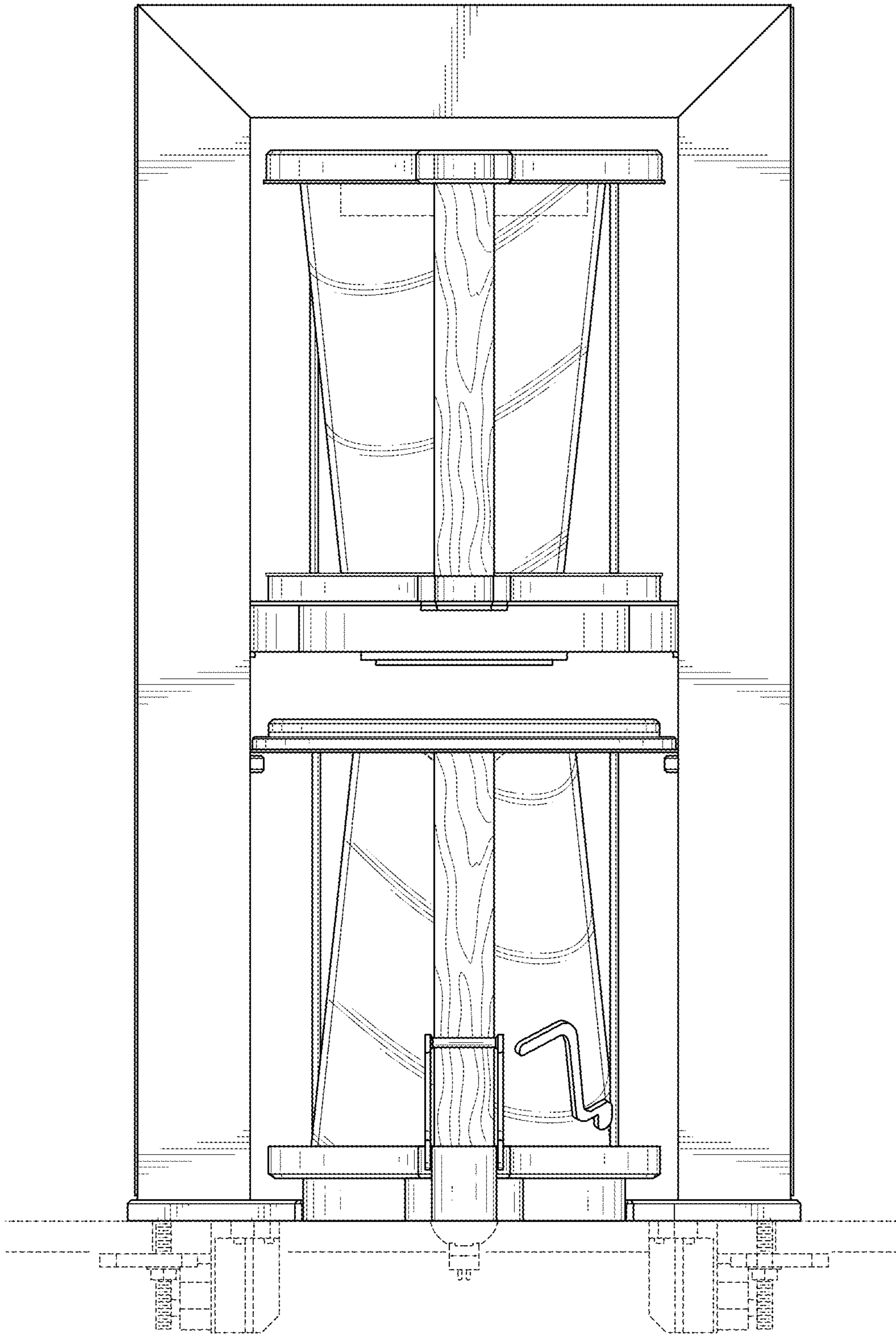


FIG. 3

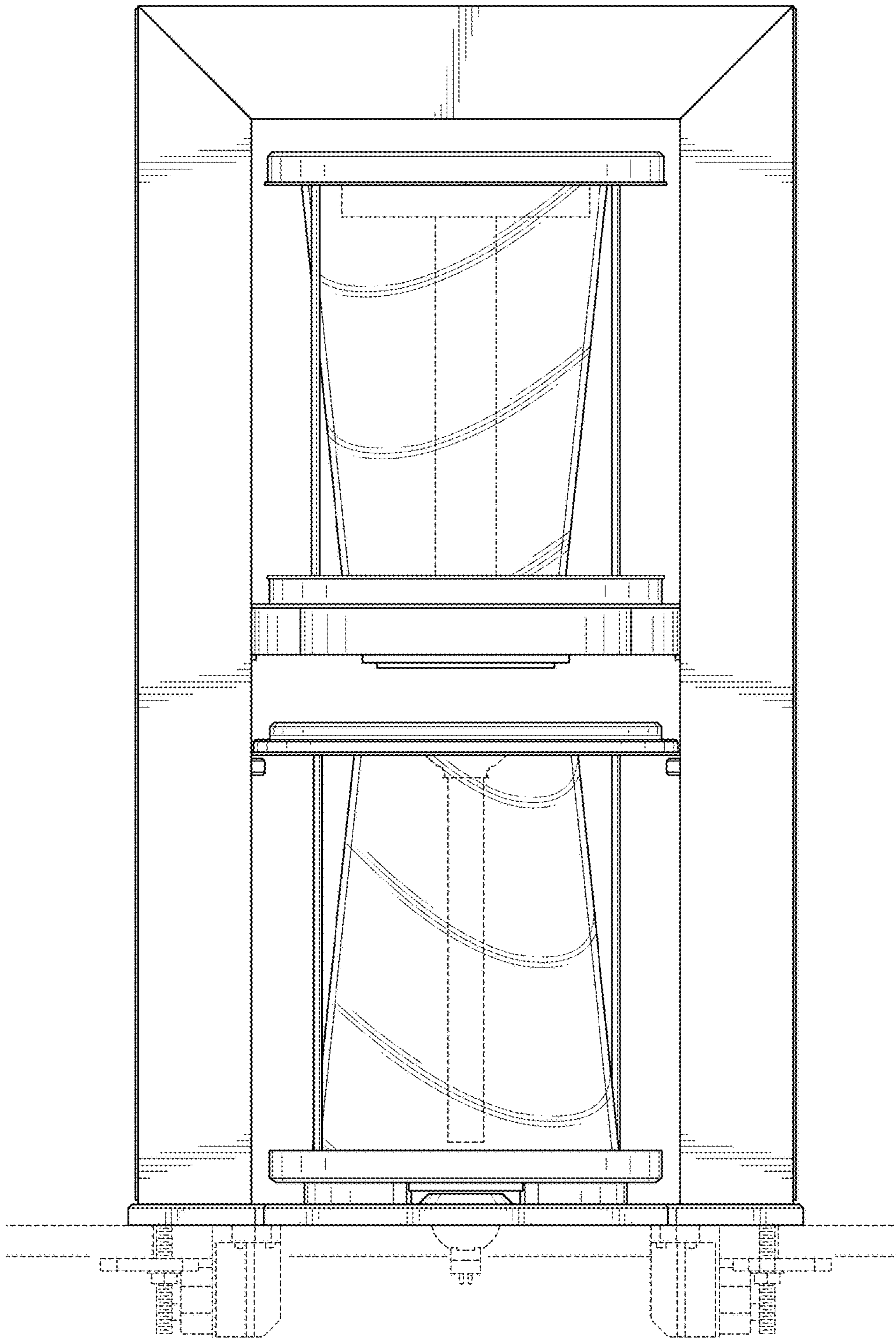


FIG. 4

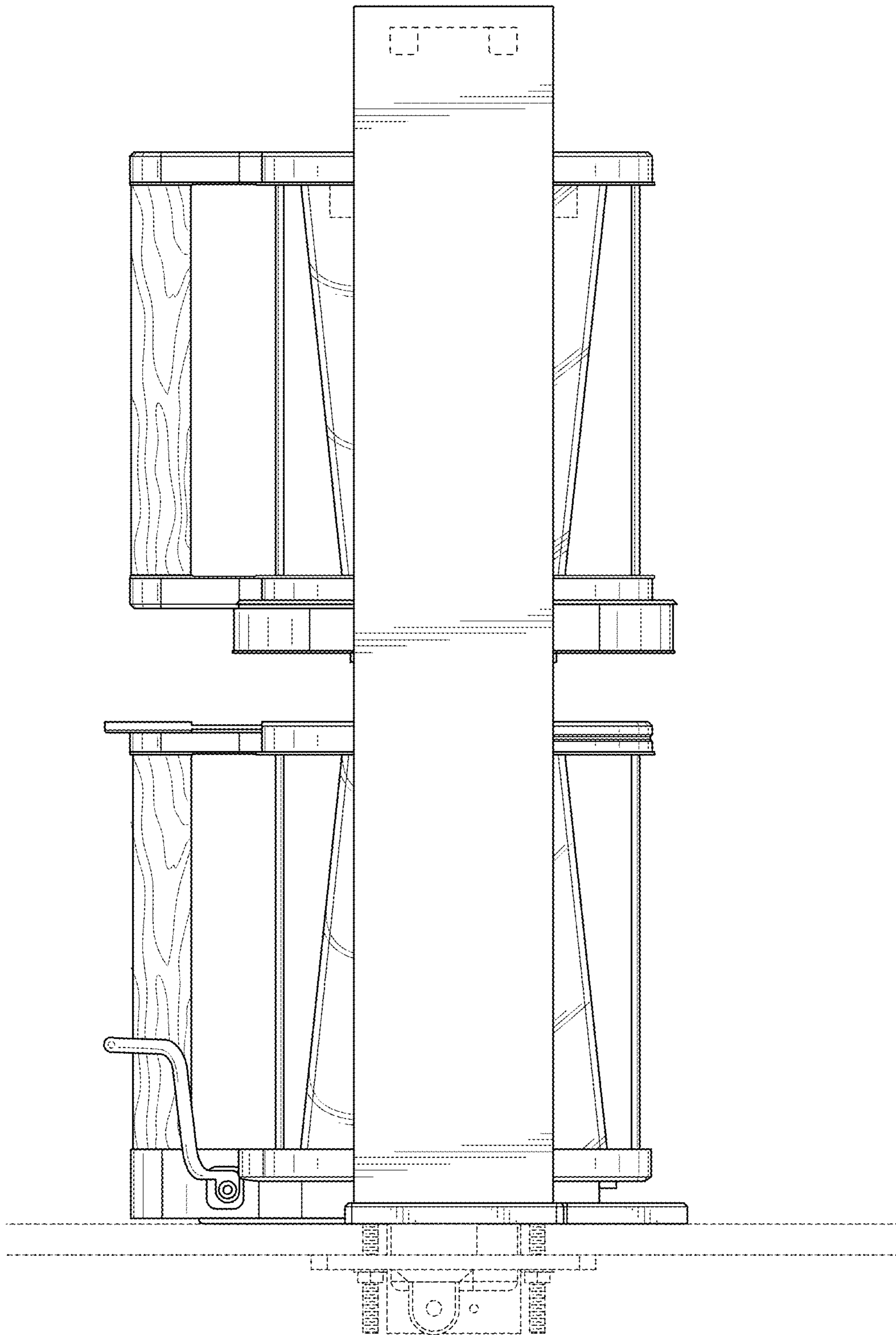


FIG. 5

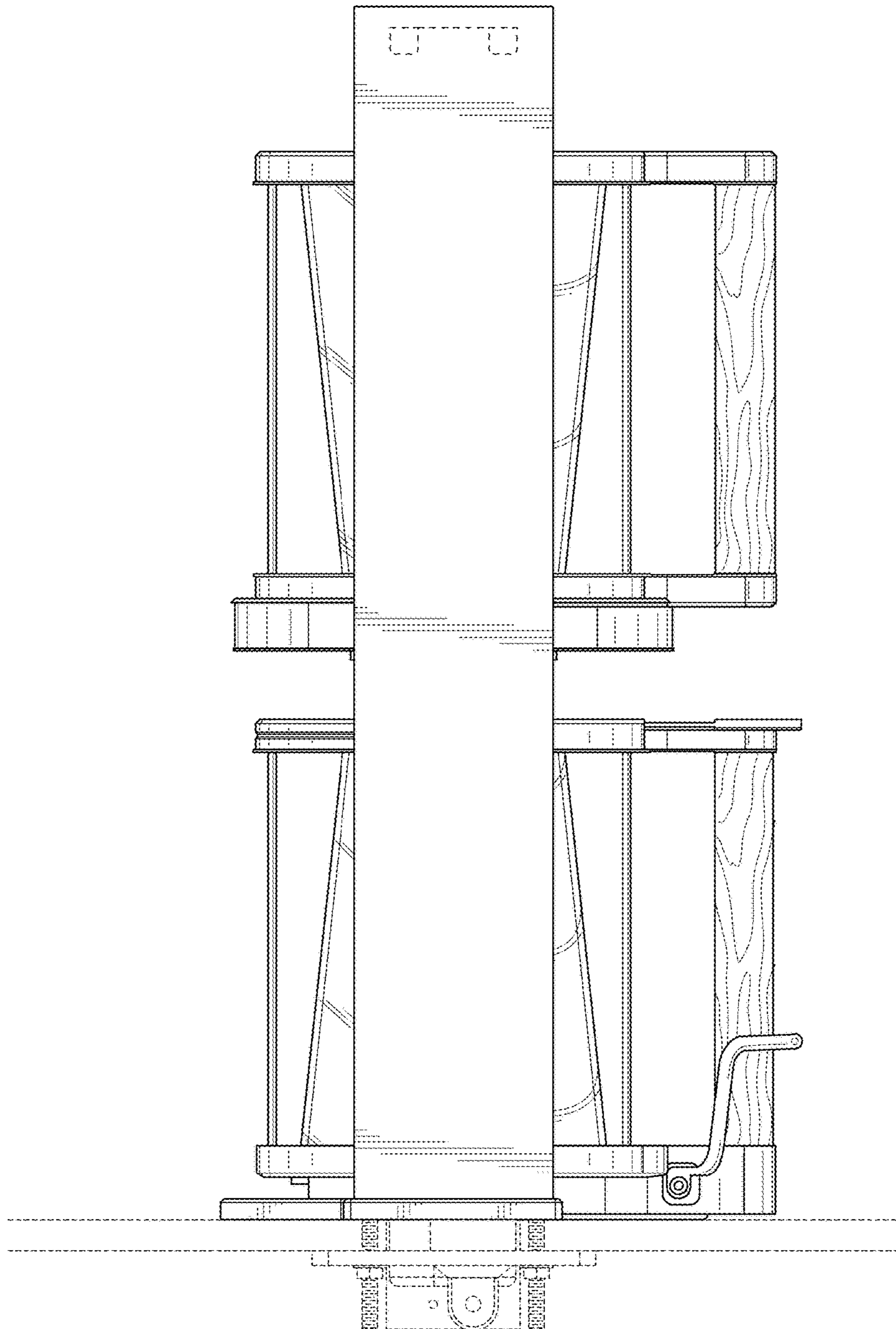


FIG. 6

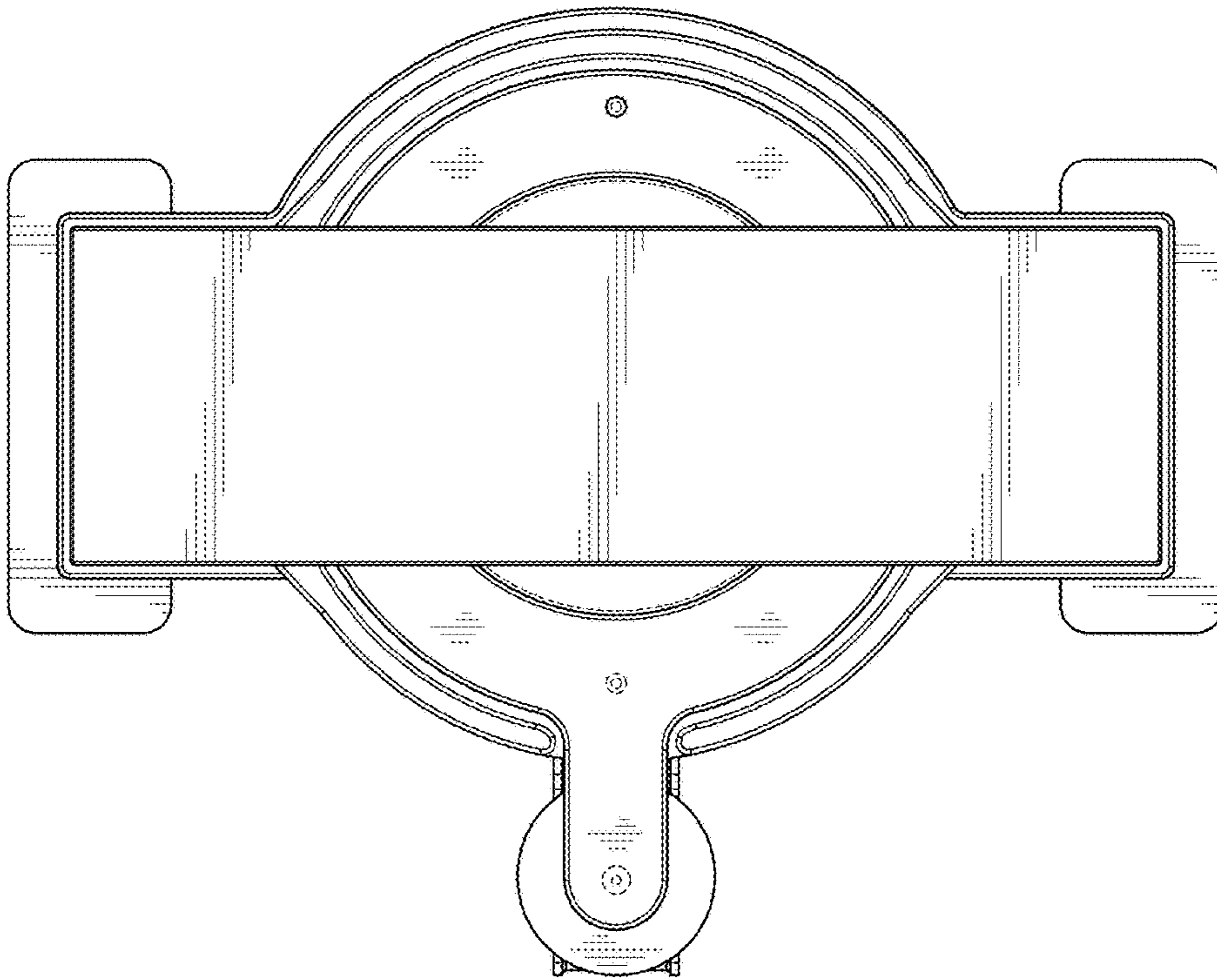


FIG. 7

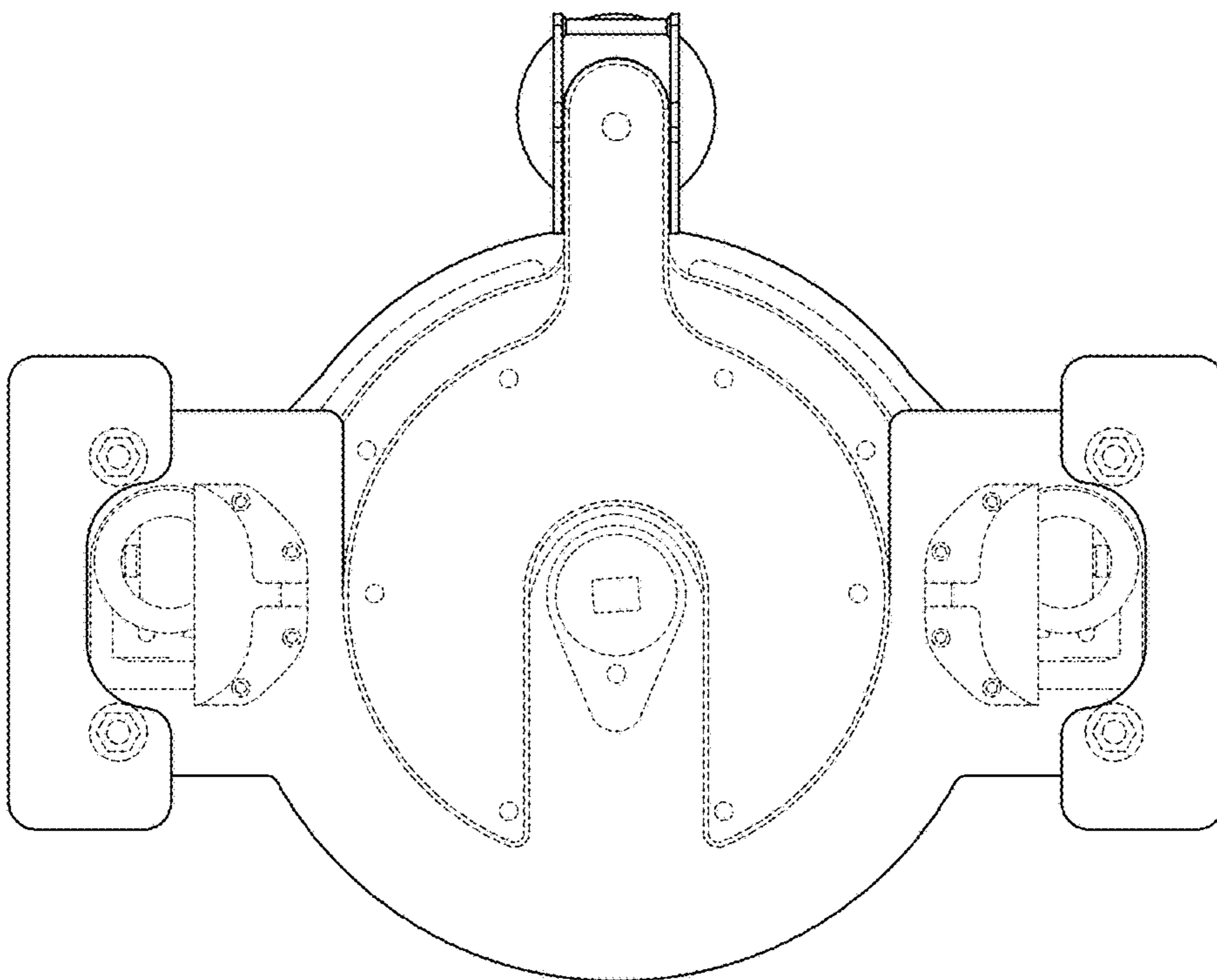


FIG. 8