



US00D797486S

(12) **United States Design Patent** (10) **Patent No.:** **US D797,486 S**  
**Kumazawa** (45) **Date of Patent:** **\*\* Sep. 19, 2017**

(54) **CHAIR**

(71) Applicant: **AICHI CO., LTD.**, Aichi (JP)  
(72) Inventor: **Taku Kumazawa**, Nagoya (JP)  
(\*\*) Term: **15 Years**  
(21) Appl. No.: **35/501,021**  
(22) Filed: **Nov. 30, 2015**

(80) **Hague Agreement Data**

Int. Filing Date: **Nov. 30, 2015**  
Int. Reg. No.: **DM/089892**  
Int. Reg. Date: **Nov. 30, 2015**  
Int. Reg. Pub. Date: **Jun. 3, 2016**

(30) **Foreign Application Priority Data**

Jun. 2, 2015 (JP) ..... 2015-012211

(51) **LOC (10) Cl.** ..... **06-01**

(52) **U.S. Cl.**  
USPC ..... **D6/716.2**

(58) **Field of Classification Search**  
USPC ..... D6/334, 364-367, 371-373, 376, 716,  
D6/716.2, 716.3  
CPC .... A47C 1/00; A47C 3/00; A47C 7/00; A47C  
7/02

See application file for complete search history.

(56) **References Cited**

U.S. PATENT DOCUMENTS

D180,660	S	*	7/1957	Johnson	.....	D6/373
D451,318	S	*	12/2001	Chi	.....	D6/366
D462,549	S	*	9/2002	Chu	.....	D6/366
D592,876	S	*	5/2009	Smith	.....	D6/374
D650,197	S	*	12/2011	Kang	.....	D6/380
D655,102	S	*	3/2012	Yetman	.....	D6/373
D661,504	S	*	6/2012	Saotome	.....	D6/366
D683,569	S	*	6/2013	Weber	.....	D6/716
D685,208	S	*	7/2013	Kumazawa	.....	D6/716.2

\* cited by examiner

*Primary Examiner* — Mary Ann Calabrese

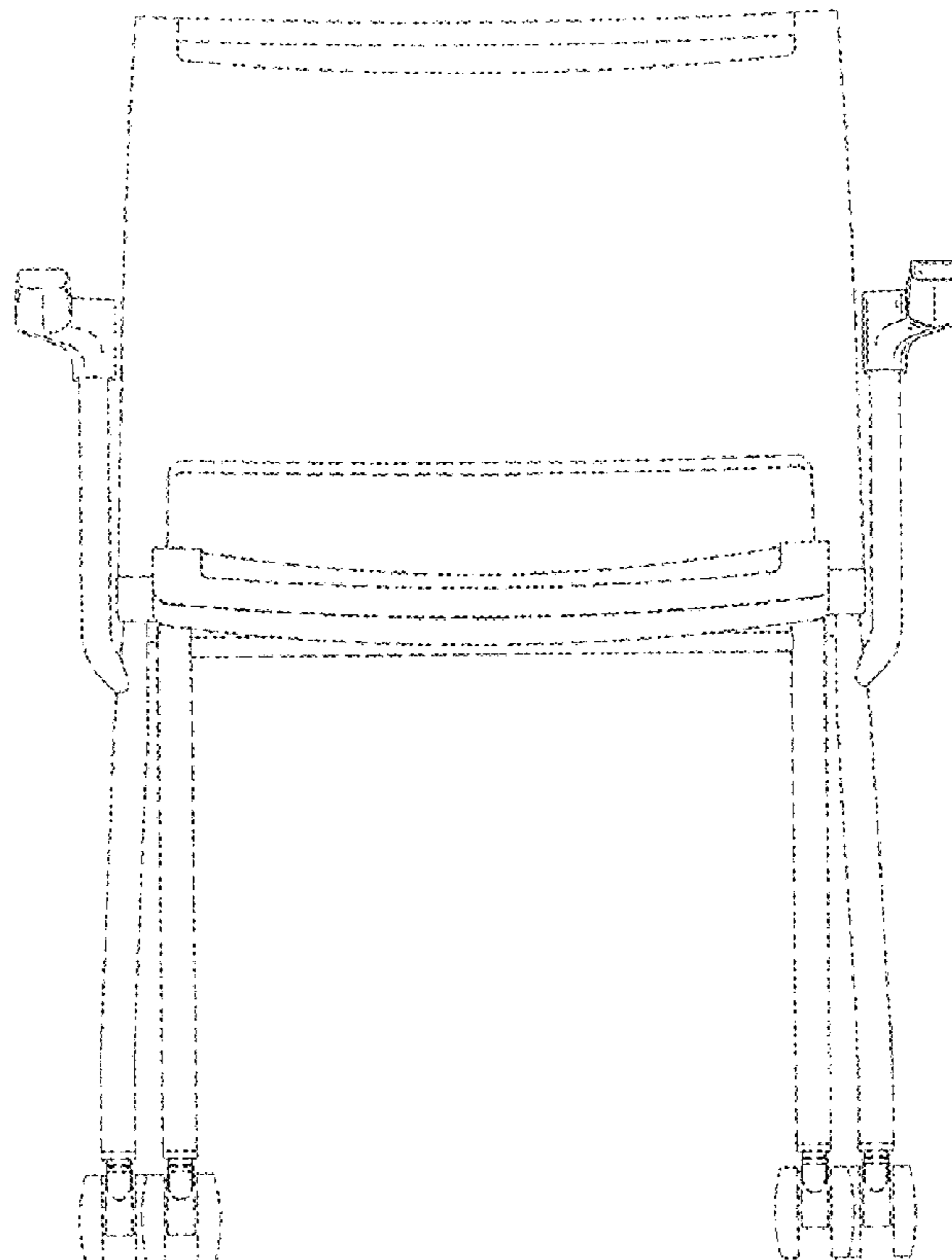
(57) **CLAIM**

The ornamental design for a chair, as shown and described.

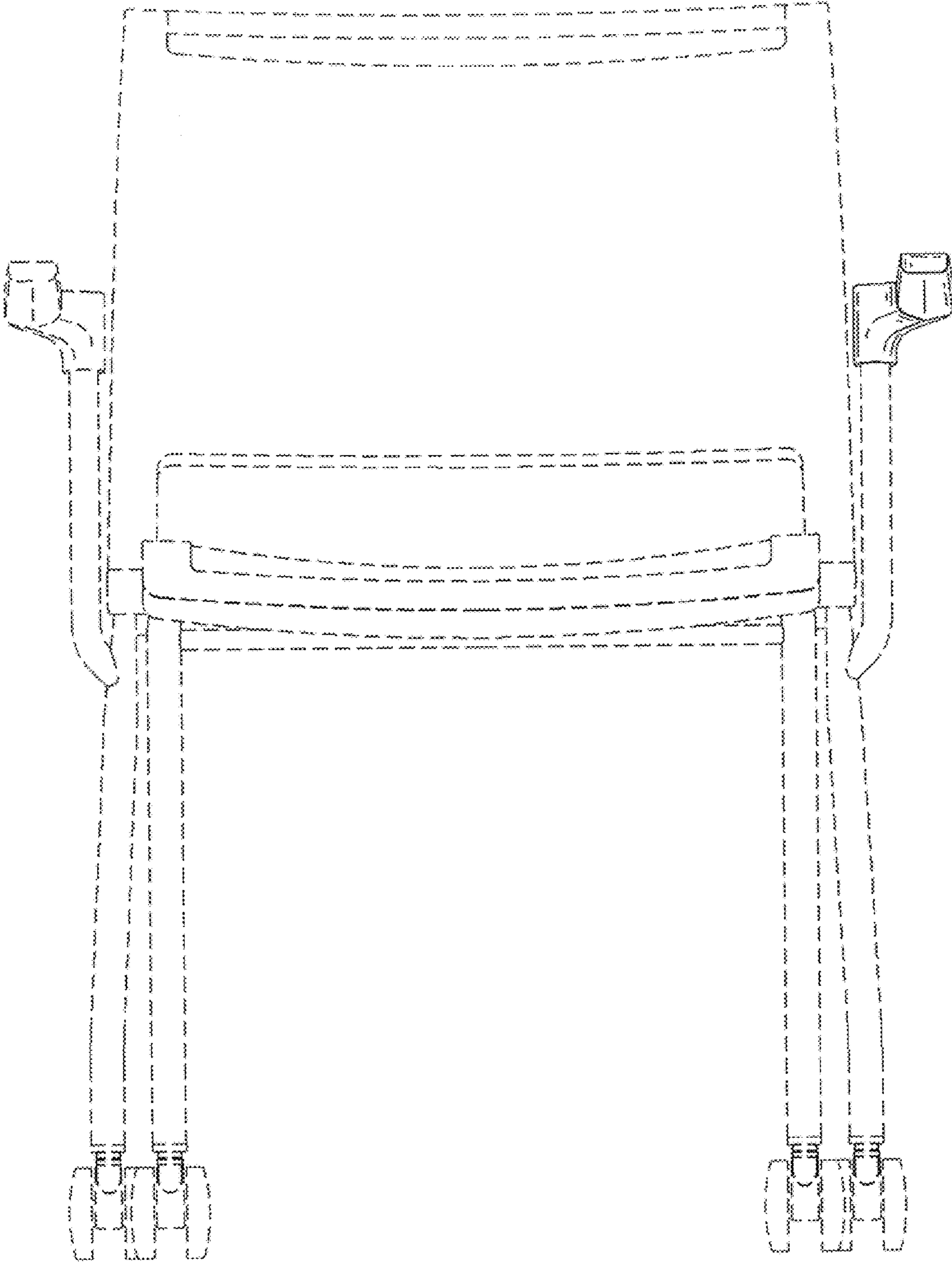
**DESCRIPTION**

1. Chair  
1.1 : Front  
1.2 : Back  
1.3 : Right  
1.4 : Left  
1.5 : Top  
1.6 : Bottom  
1.7 : Left side view with the broken lines removed for clarity of disclosure.  
The broken lines in the drawings form no part of the claimed design.

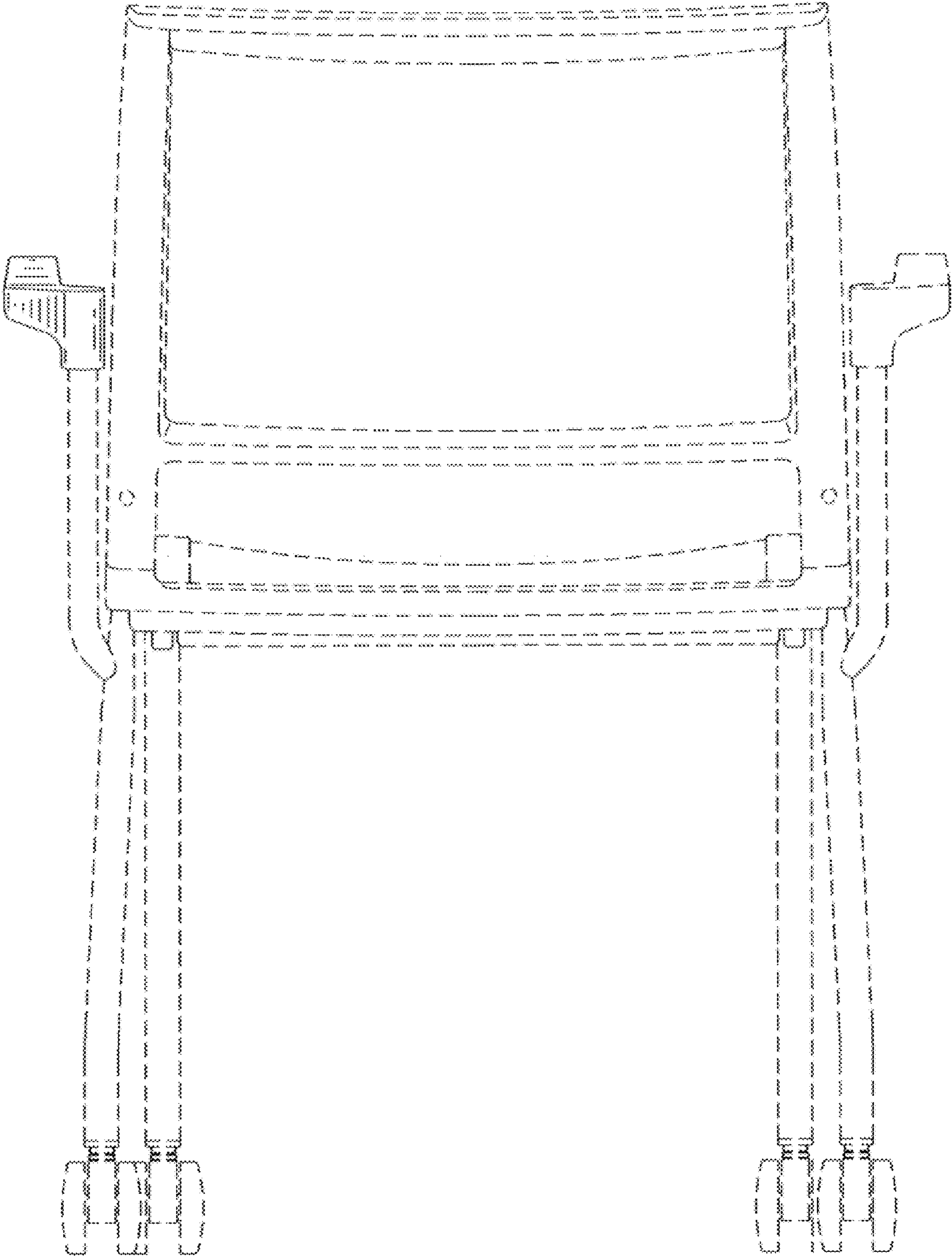
**1 Claim, 7 Drawing Sheets**



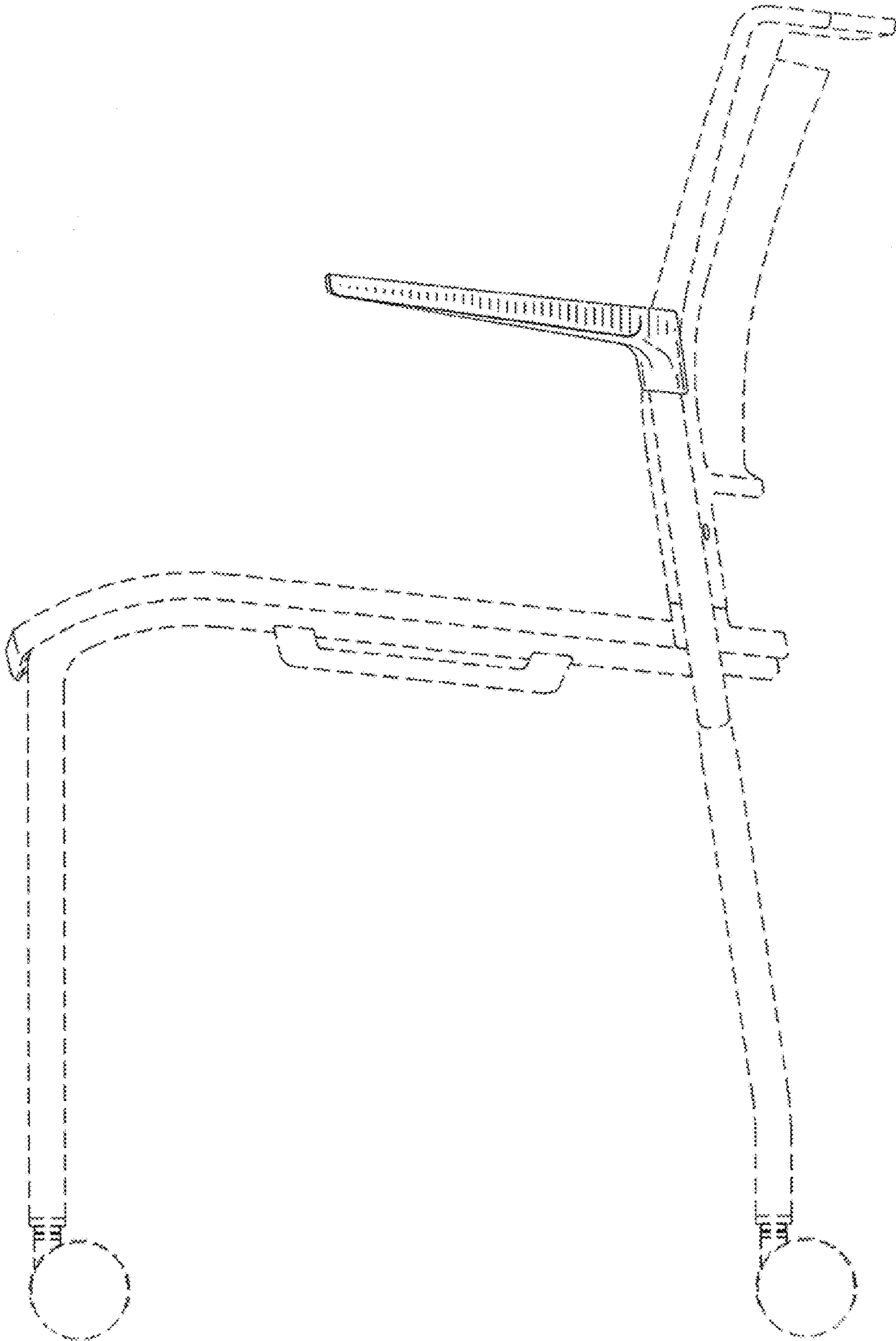
1.1



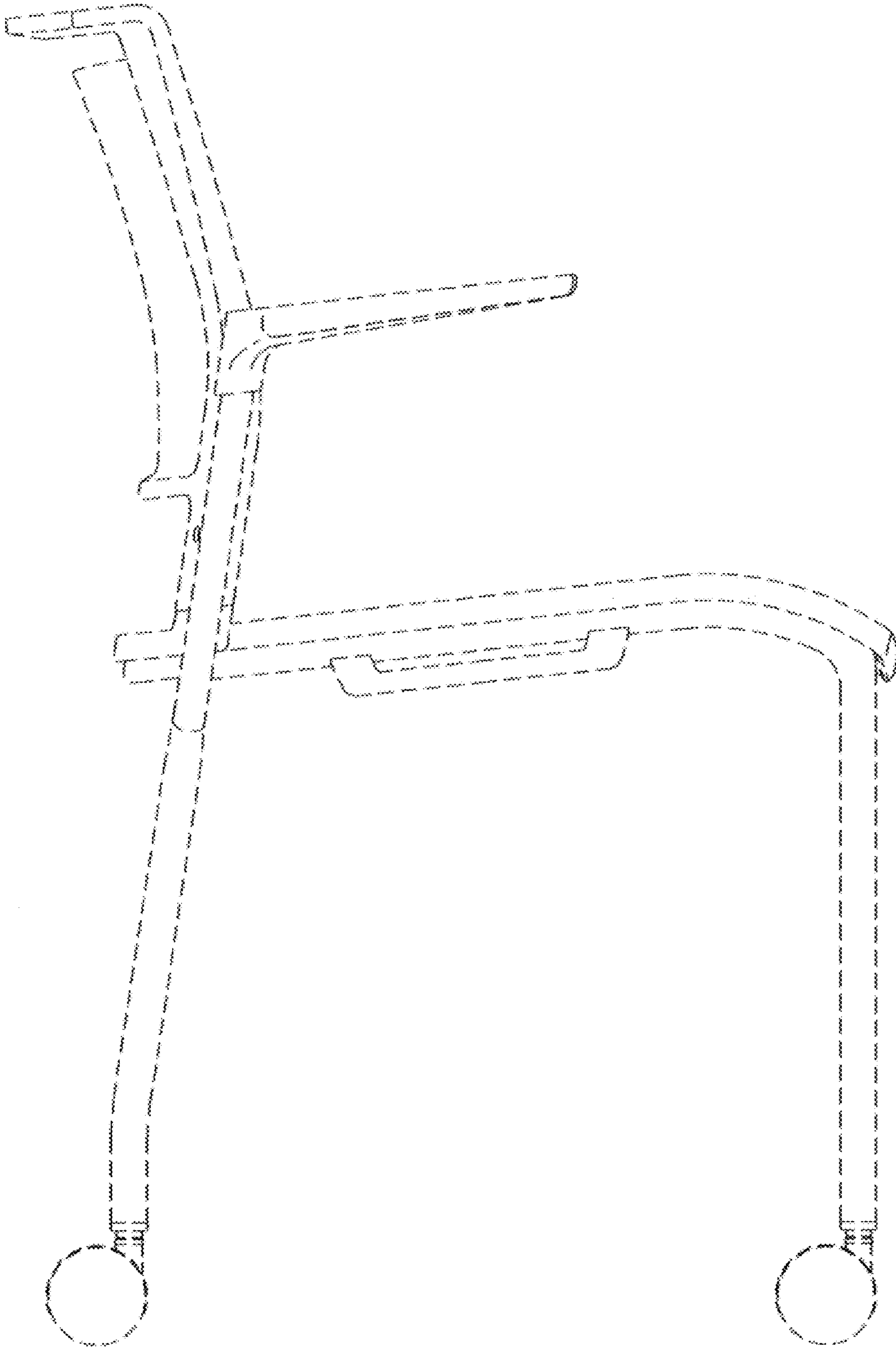
1.2



1.3

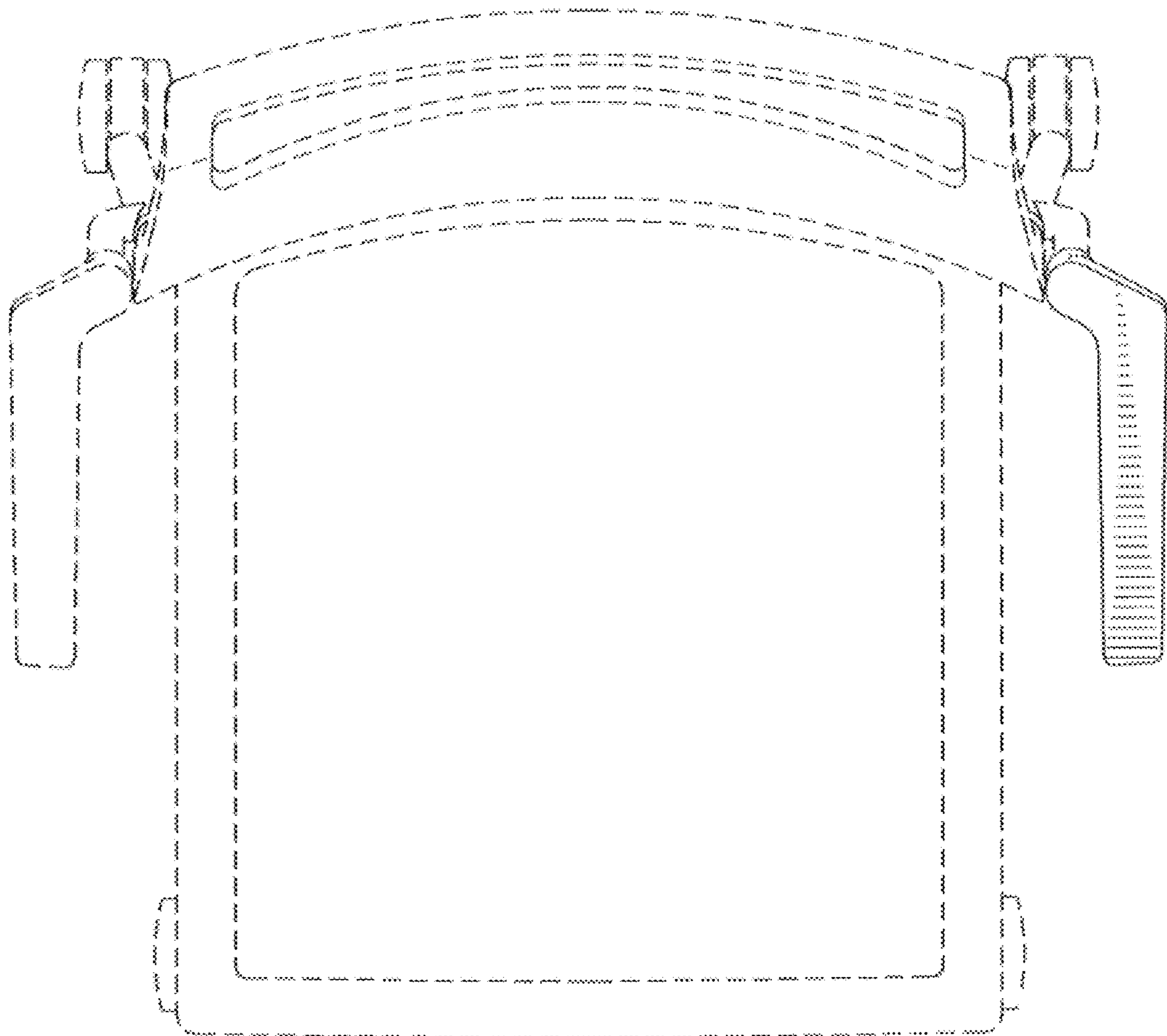


**1.4**

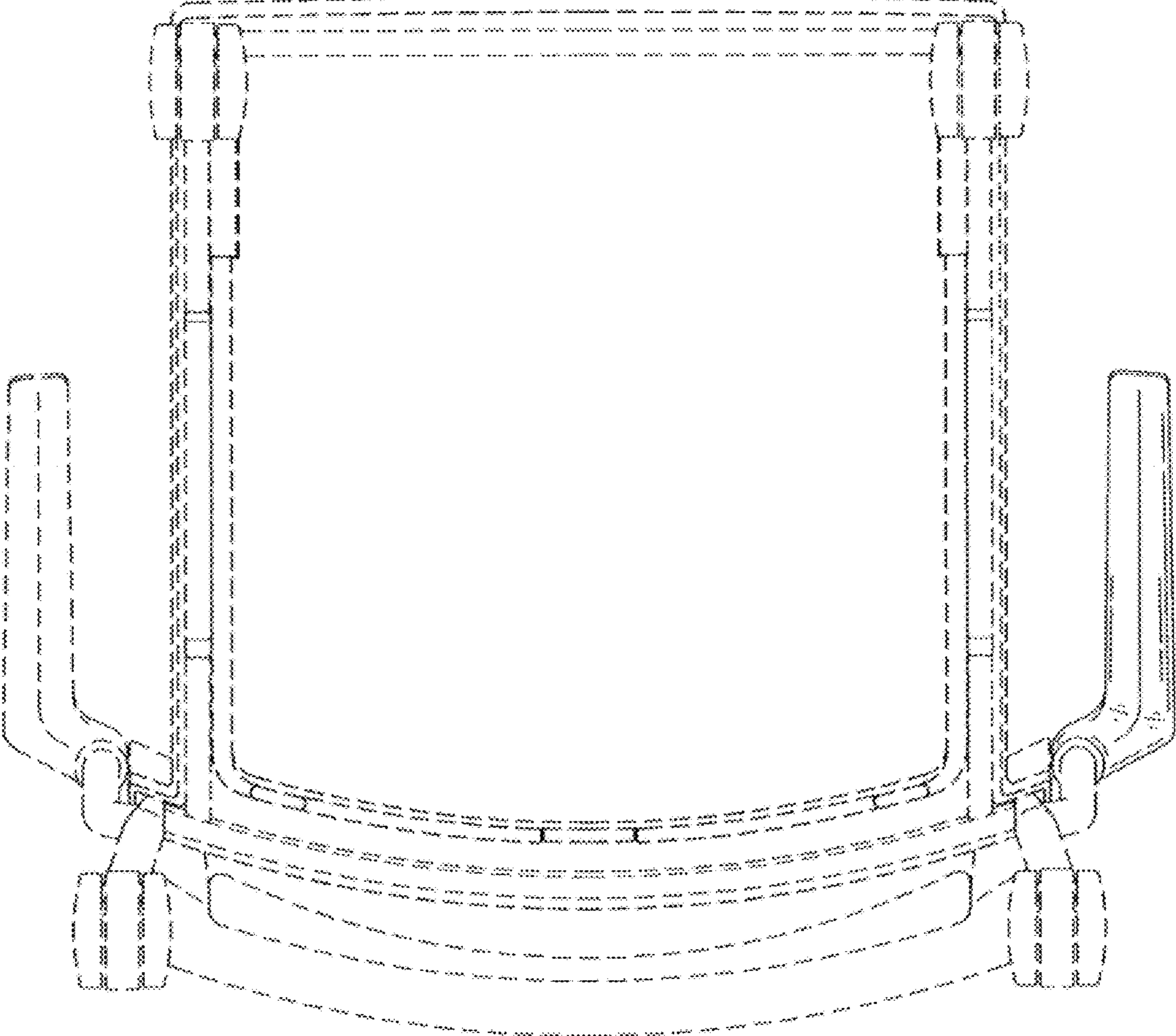




1.5



1.6



1.7

