



US00D797484S

(12) **United States Design Patent** (10) **Patent No.:** **US D797,484 S**
Hannoosh (45) **Date of Patent:** **** Sep. 19, 2017**

(54) **FURNITURE LEG**
(71) Applicant: **Williams-Sonoma, Inc.**, San Francisco, CA (US)
(72) Inventor: **Jeffrey C. Hannoosh**, Brooklyn, NY (US)
(73) Assignee: **Williams-Sonoma, Inc.**, San Francisco, CA (US)
(**) Term: **15 Years**

D532,210 S *	11/2006	McCurry	D6/349
D532,983 S *	12/2006	McCurry	D6/349
D558,490 S *	1/2008	Christensen	D6/691.5
D588,380 S *	3/2009	Bucholz	D6/691.5
D593,342 S *	6/2009	Pesso	D6/702
D608,568 S *	1/2010	Manz	D6/691.5
D611,734 S *	3/2010	Stukenberg	D6/691.8
D611,735 S *	3/2010	Stukenberg	D6/691.8
D614,889 S *	5/2010	Van Duysen	D6/691.5
D669,695 S *	10/2012	McCurry	D6/349
D686,438 S *	7/2013	Denby	D6/687
D711,670 S *	8/2014	Woods	D6/681
D721,245 S *	1/2015	Agati	D6/709
2016/0273568 A1 *	9/2016	Choi	A47B 13/02

(21) Appl. No.: **29/555,176**
(22) Filed: **Feb. 19, 2016**
(51) **LOC (10) Cl.** **06-06**
(52) **U.S. Cl.**
USPC **D6/709**
(58) **Field of Classification Search**
USPC D6/671, 675, 677, 685, 687, 690, 691, D6/691.1, 691.2, 691.3, 691.4, 691.5, D6/691.9, 693, 695, 695.2, 696, 697, 698, D6/699, 699.2, 703, 707, 709, 709.2; D25/62, 63, 64, 66, 67, 68, 69
CPC A47B 7/00; A47B 13/08; A47B 13/10; A47B 21/00; A47B 2009/006; A47B 11/00; A47B 2200/002
See application file for complete search history.

* cited by examiner

Primary Examiner — Mary Ann Calabrese
Assistant Examiner — Sloan Rozin
(74) *Attorney, Agent, or Firm* — Cook Alex Ltd.; R. Blake Johnston

(57) **CLAIM**

The ornamental design for a furniture leg, as shown and described.

DESCRIPTION

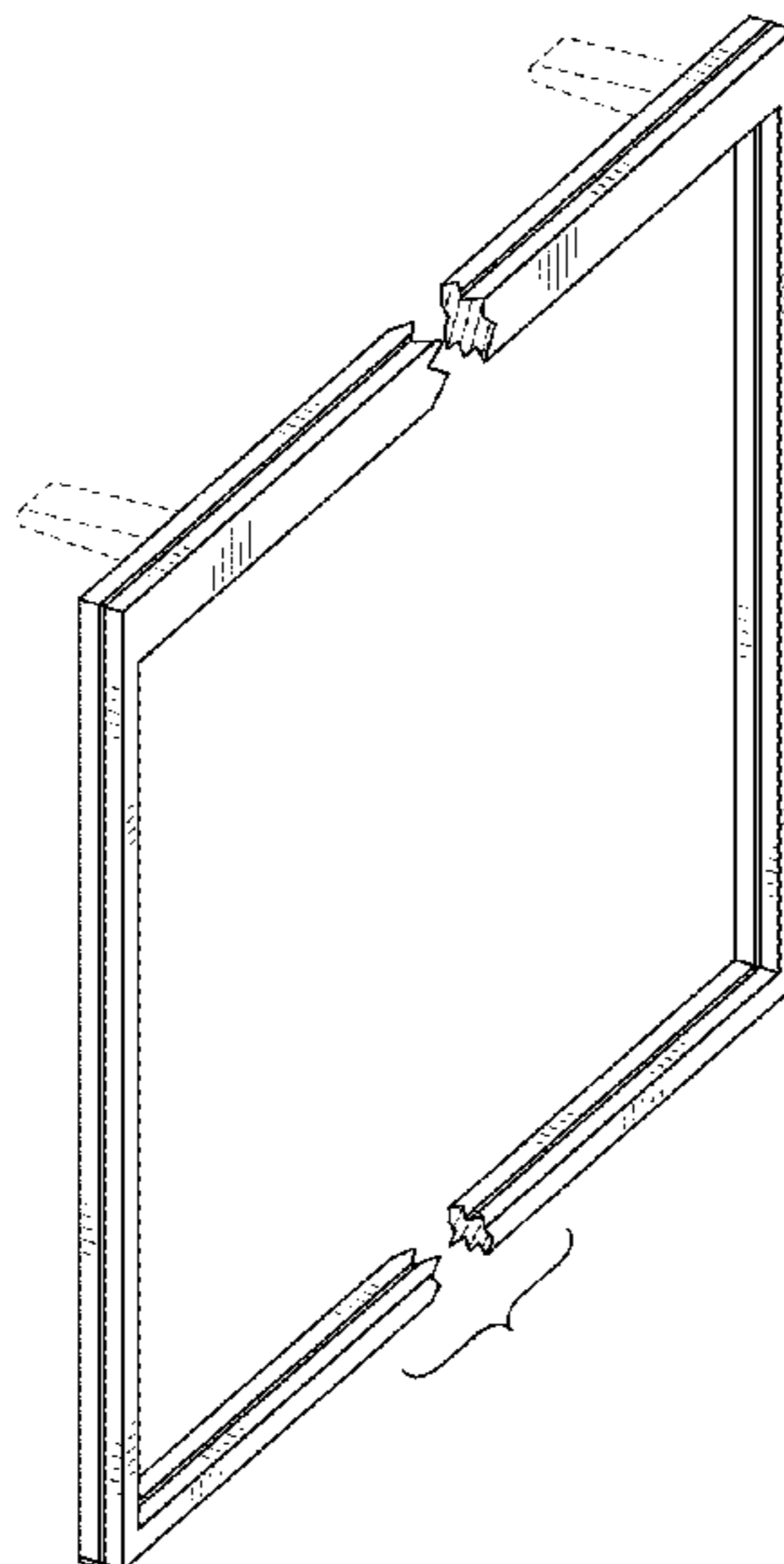
FIG. 1 is a perspective view of the furniture leg;
FIG. 2 is a front elevational view of the furniture leg;
FIG. 3 is a rear elevational view of the furniture leg;
FIG. 4 is a right side elevational view of the furniture leg, the opposite side of which is a mirror image;
FIG. 5 is a top plan view of the furniture leg; and,
FIG. 6 is a bottom plan view of the furniture leg.
The broken line showing of elements on the furniture leg illustrate portions of the article and form no part of the claimed design.
The furniture leg is shown with symbolic breaks in length. The appearance of any portion of the article between the break lines forms no part of the claimed design.

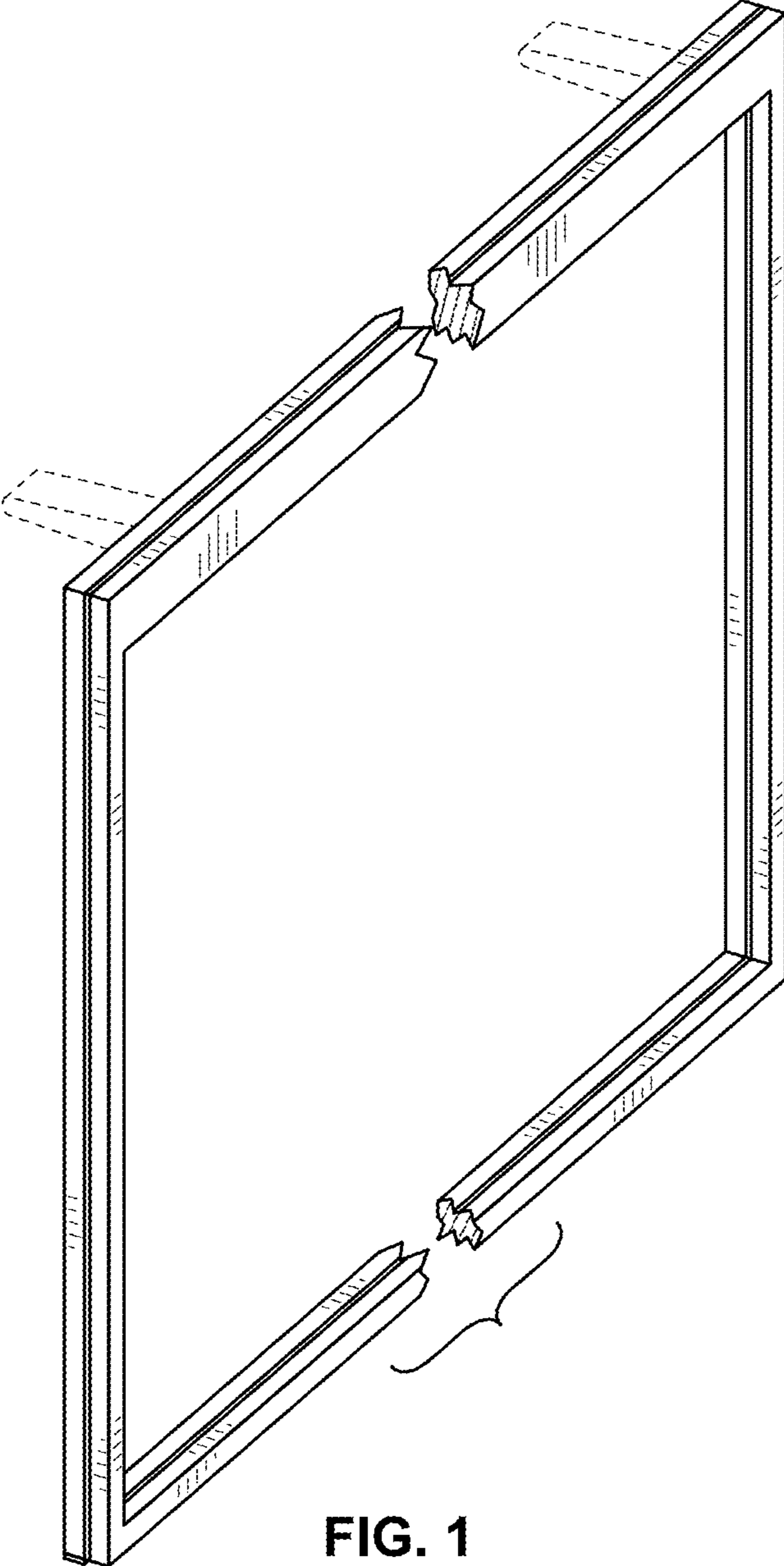
(56) **References Cited**

U.S. PATENT DOCUMENTS

2,615,770 A *	10/1952	Curtis	A47B 3/06 108/155
D217,261 S *	4/1970	Gianfagna	D6/691.8
D220,704 S *	5/1971	Kramer	D6/691.8
D244,114 S *	4/1977	Neff	D6/691.8
D281,555 S *	12/1985	Levy	D6/406.6
D510,492 S *	10/2005	Sakurai	D6/709
D530,548 S *	10/2006	McCurry	D6/708

1 Claim, 3 Drawing Sheets





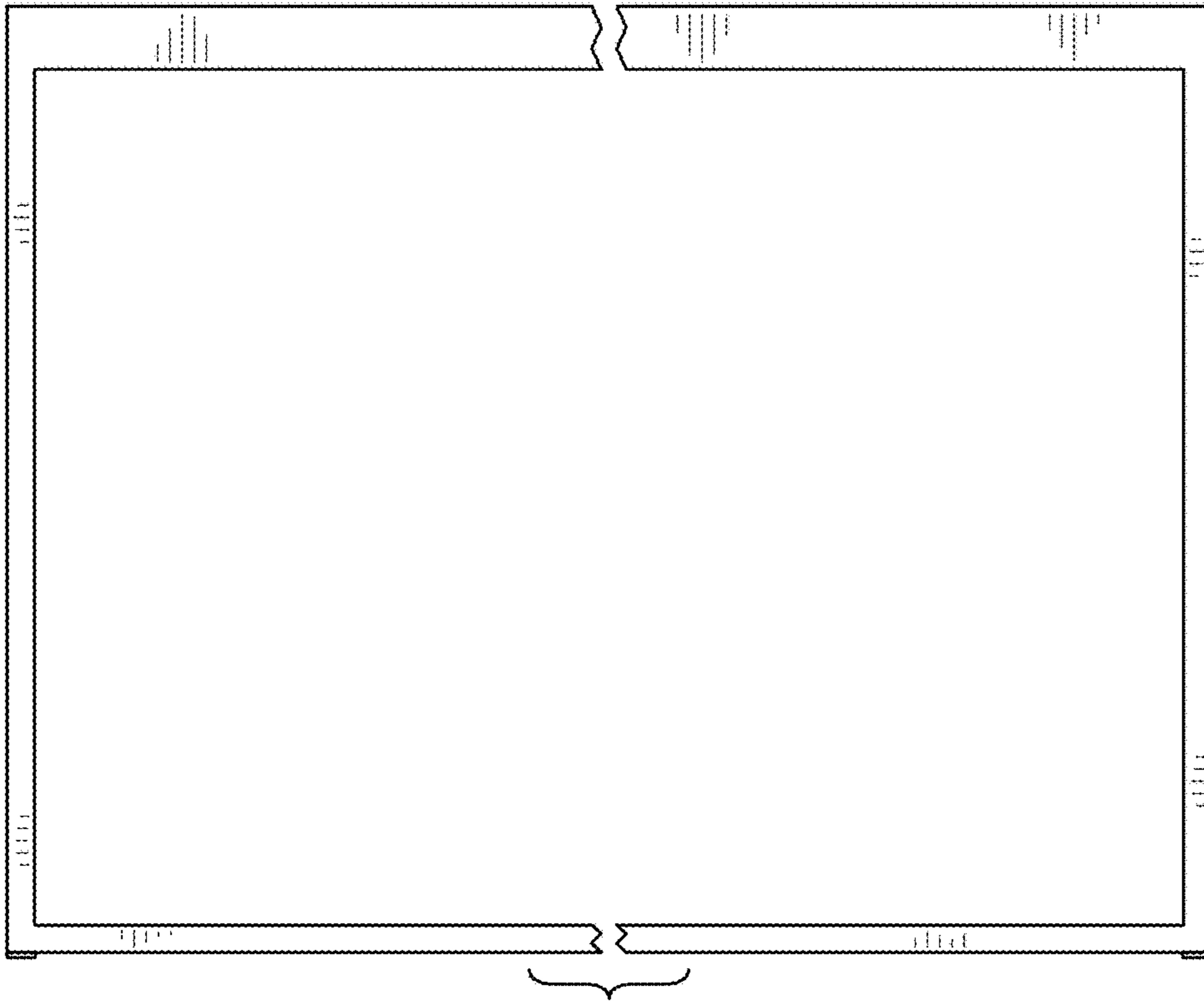


FIG. 2

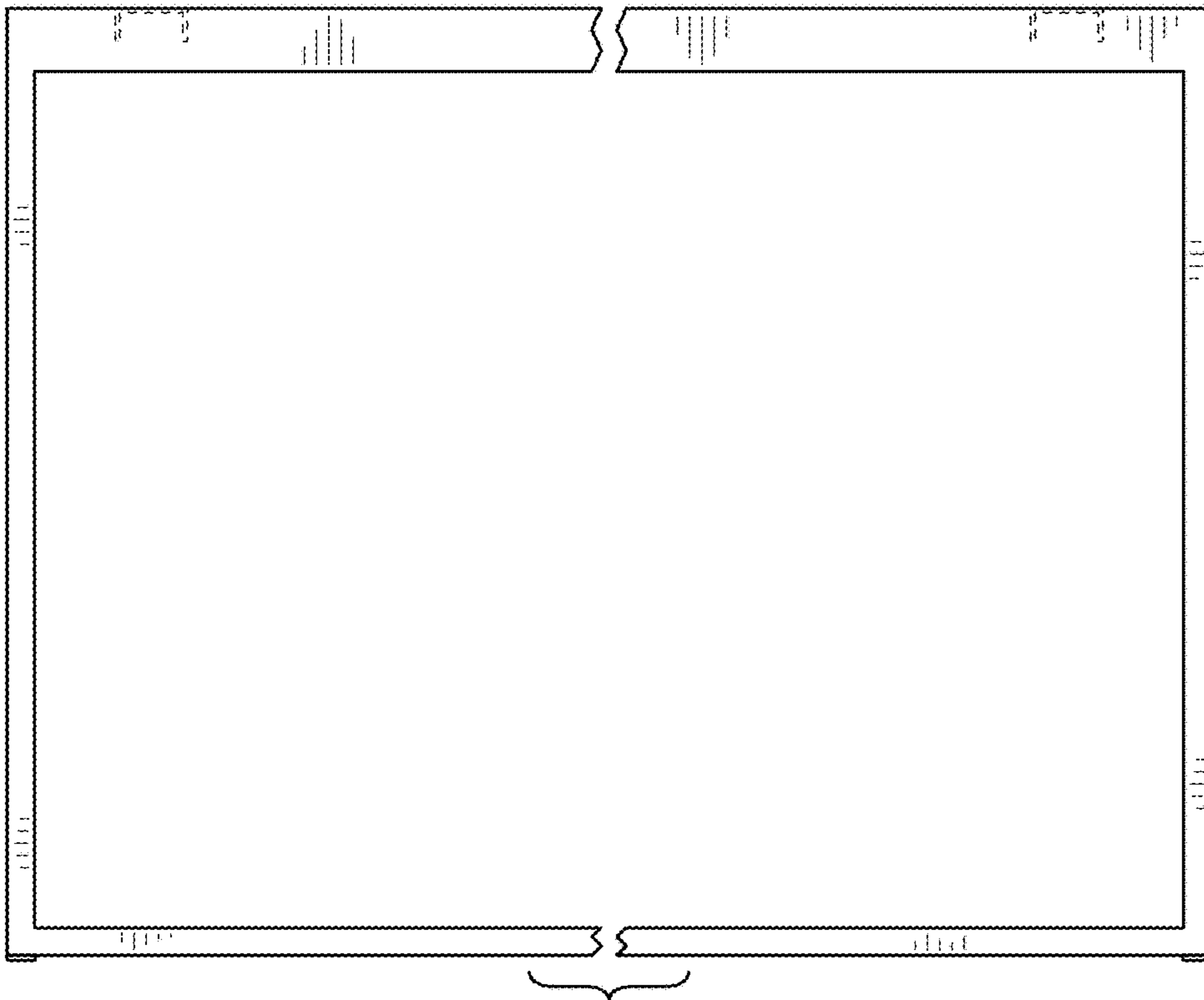


FIG. 3



FIG. 4

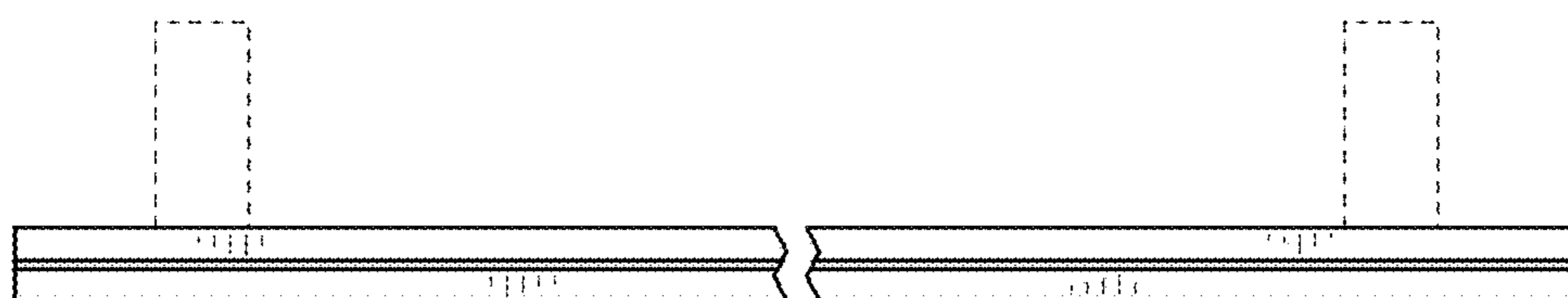


FIG. 5

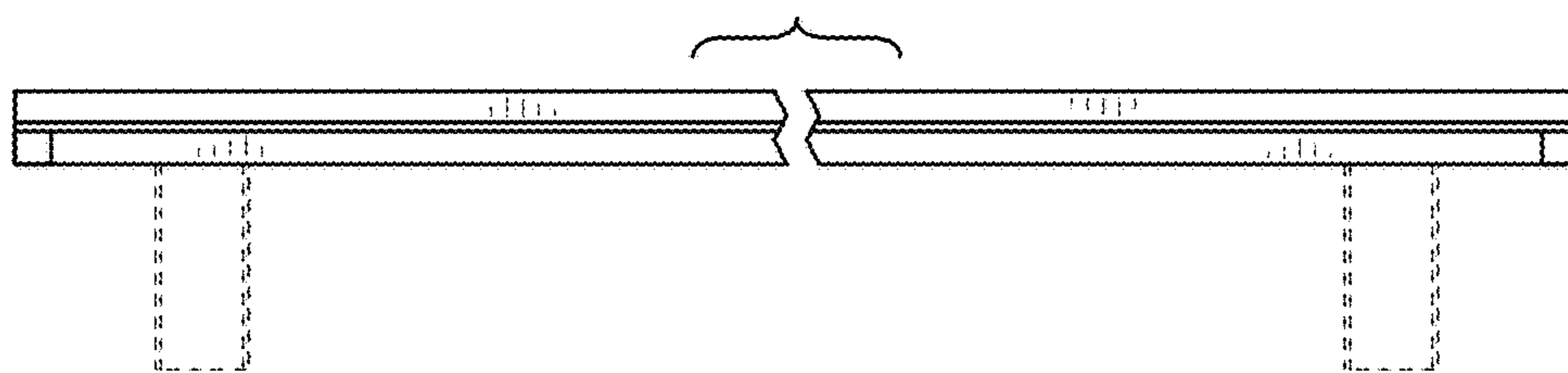


FIG. 6